



US00D638915S

(12) **United States Design Patent**
Cardno et al.

(10) **Patent No.:** **US D638,915 S**

(45) **Date of Patent:** **** May 31, 2011**

(54) **VALVE**

(76) Inventors: **Anthony Cardno**, Rotherham (GB);
James Oldham, Sheffield (GB)

(**) Term: **14 Years**

(21) Appl. No.: **29/367,989**

(22) Filed: **Aug. 16, 2010**

(51) **LOC (9) Cl.** **23-01**

(52) **U.S. Cl.** **D23/233**

(58) **Field of Classification Search** D23/233-237,
D23/244-249, 259, 262; 137/240, 412, 801;
251/148, 152, 309

See application file for complete search history.

(56) **References Cited**

U.S. PATENT DOCUMENTS

D568,965 S *	5/2008	Johnson	D23/233
D602,564 S *	10/2009	Nimberger	D23/233
D602,565 S *	10/2009	Nimberger	D23/233
D606,167 S *	12/2009	Nimberger	D23/233

* cited by examiner

Primary Examiner — Cathron C. Brooks

Assistant Examiner — Maurice Stevens

(74) *Attorney, Agent, or Firm* — patenttm.us

(57) **CLAIM**

I claim the ornamental designs for a valve, as shown and described.

DESCRIPTION

FIG. 1 shows a perspective view from one end, the top and one side of a design of a valve;

FIG. 2 shows a perspective view from the opposite end, the top and the opposite side of the design of the valve;

FIG. 3 shows a view from one side of the design of the valve;

FIG. 4 shows a view from the opposite side of the design of the valve;

FIG. 5 shows a top plan view of the design of the valve;

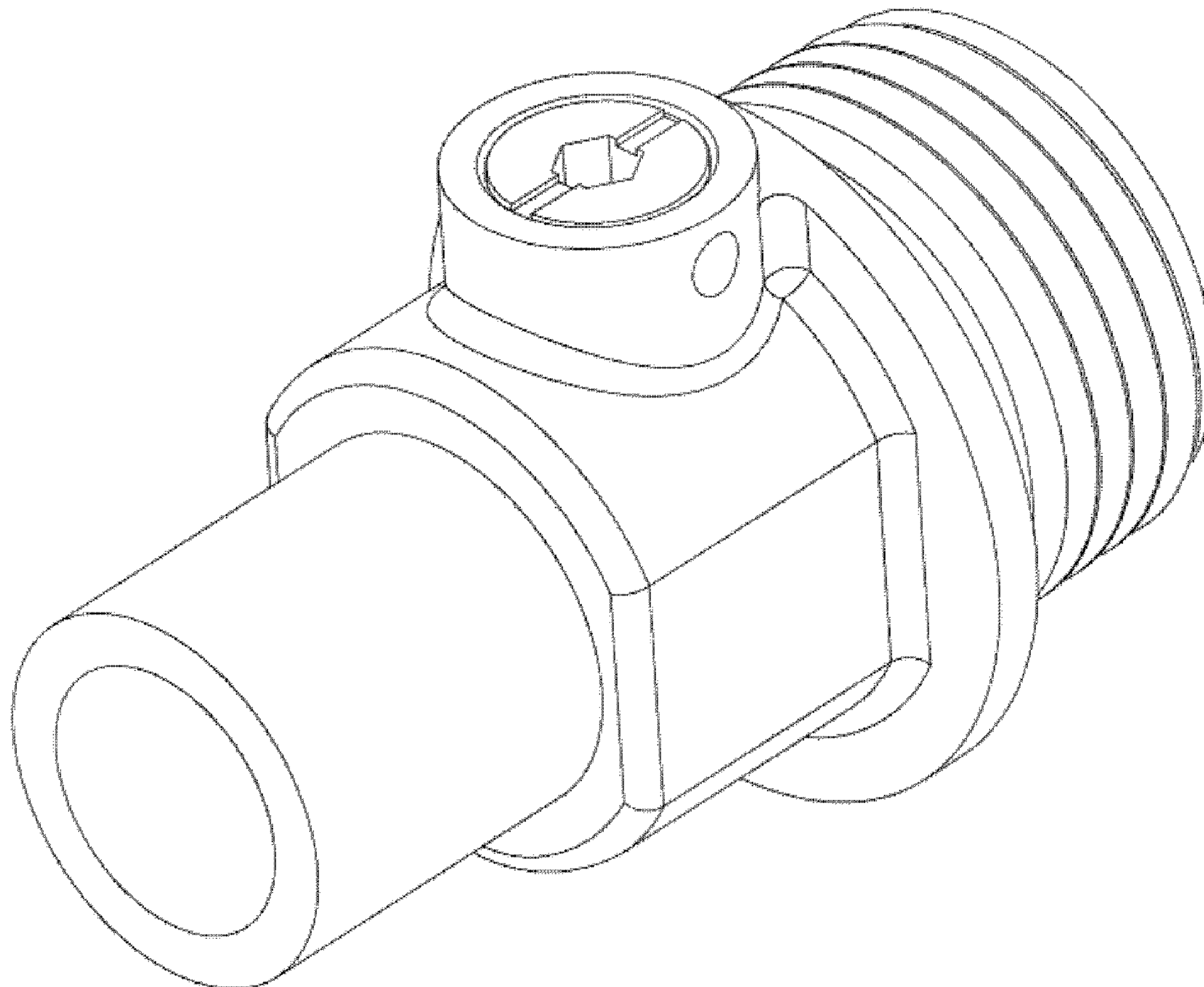
FIG. 6 shows a bottom plan view of the design of the valve;

FIG. 7 shows a view from one end of the design of the valve; and,

FIG. 8 shows a view from the opposite end of the design of the valve.

The broken line showing of unclaimed portions of the valve form no part of the claimed design.

1 Claim, 8 Drawing Sheets



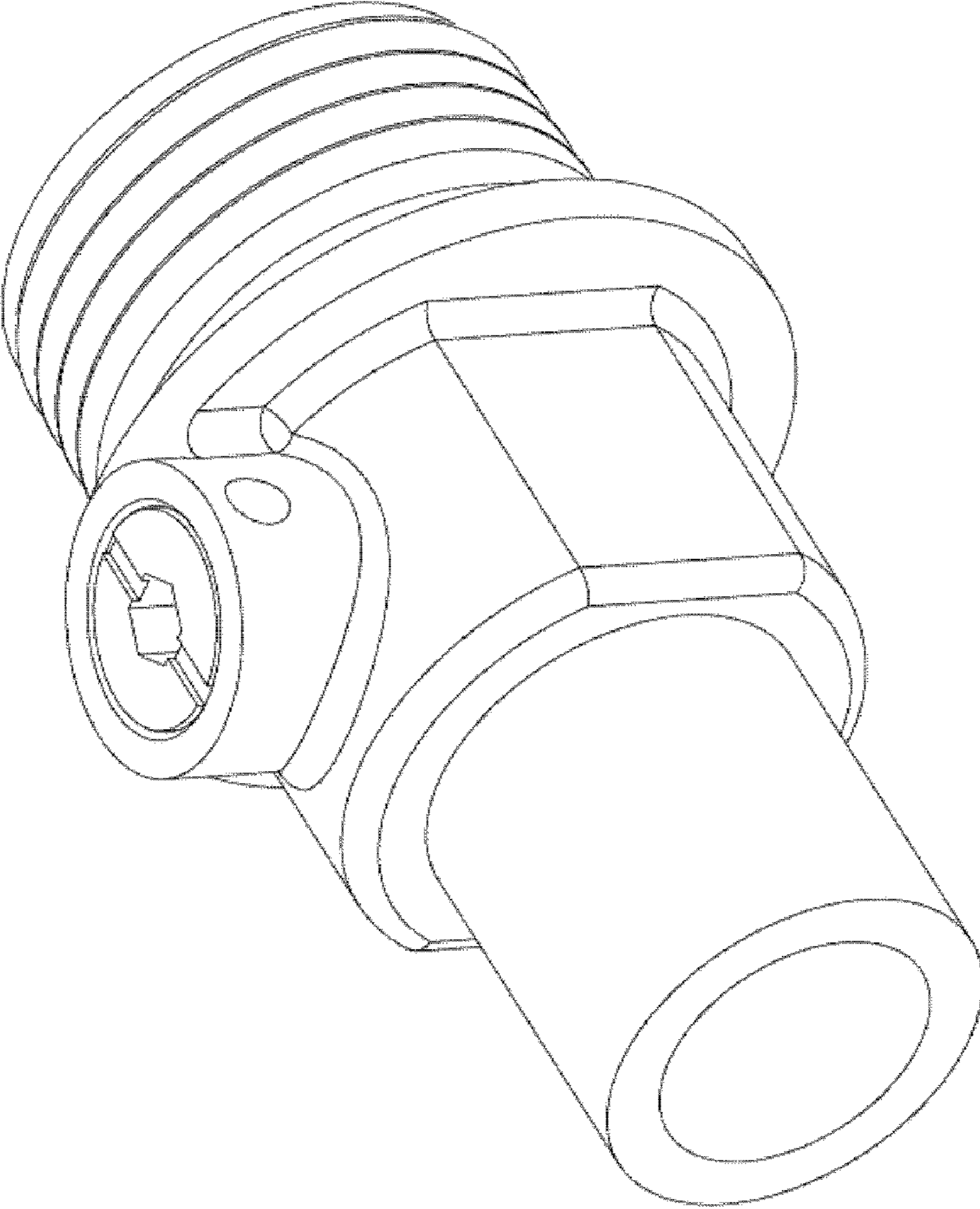


FIG. 1

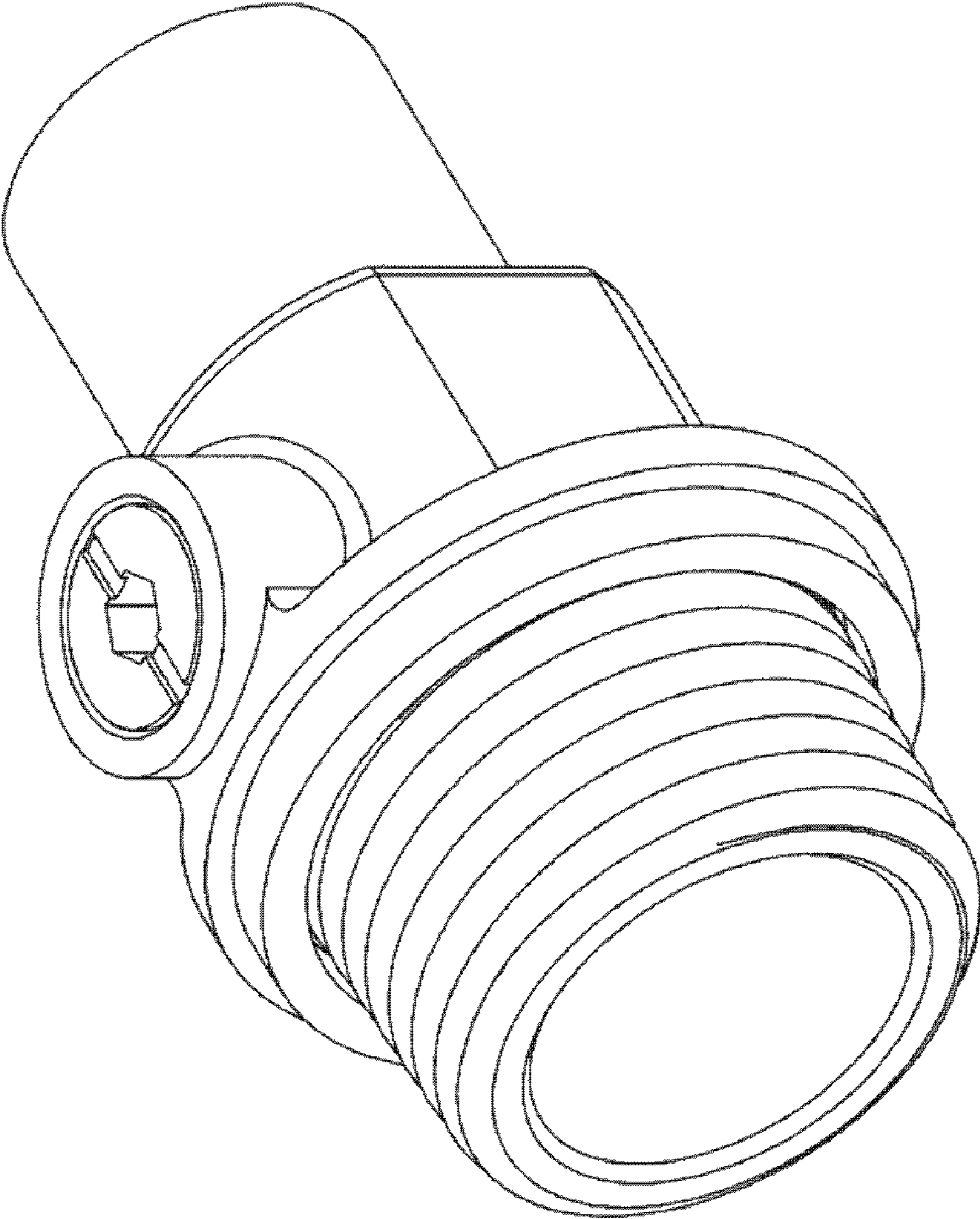


FIG. 2

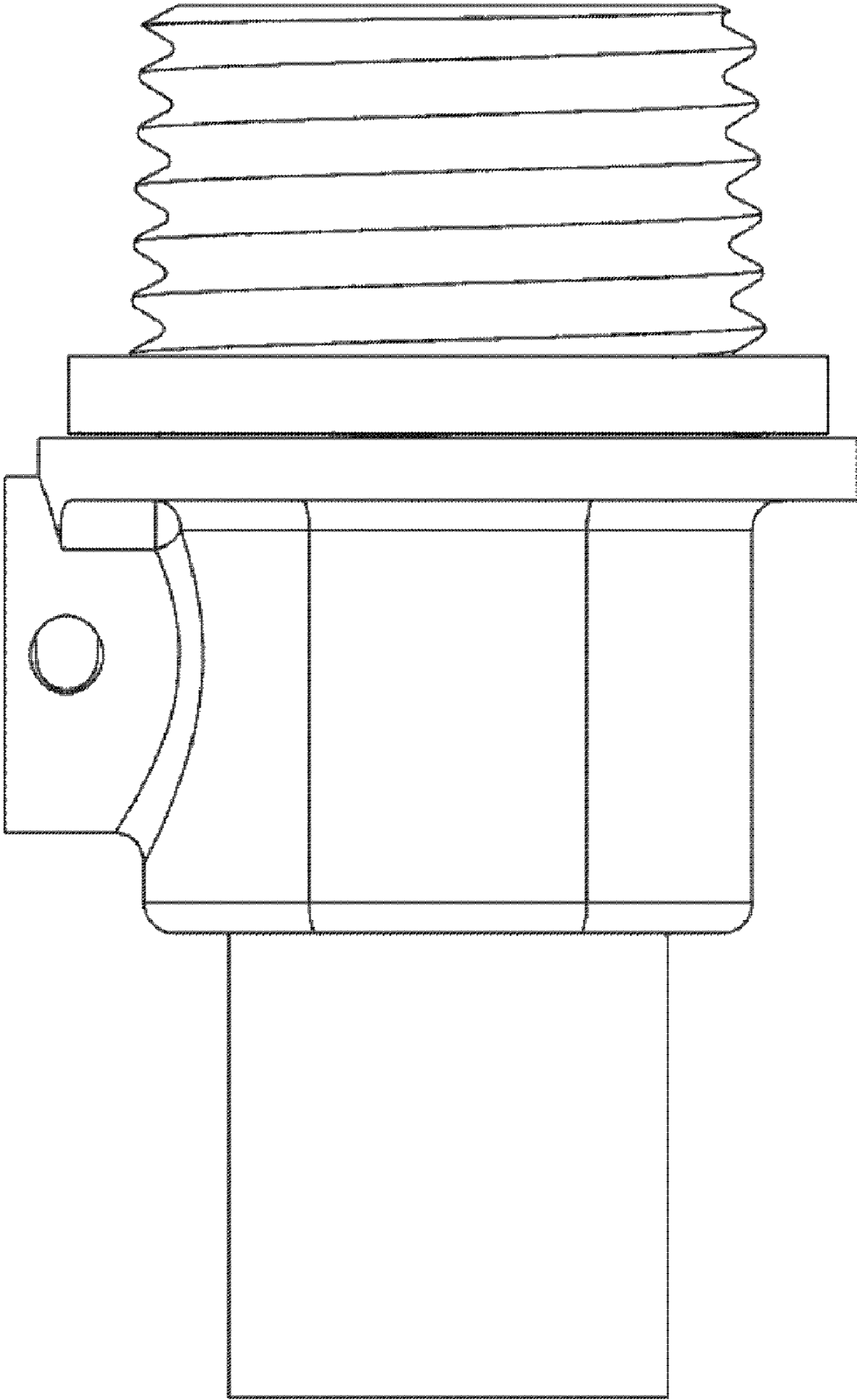


FIG. 3

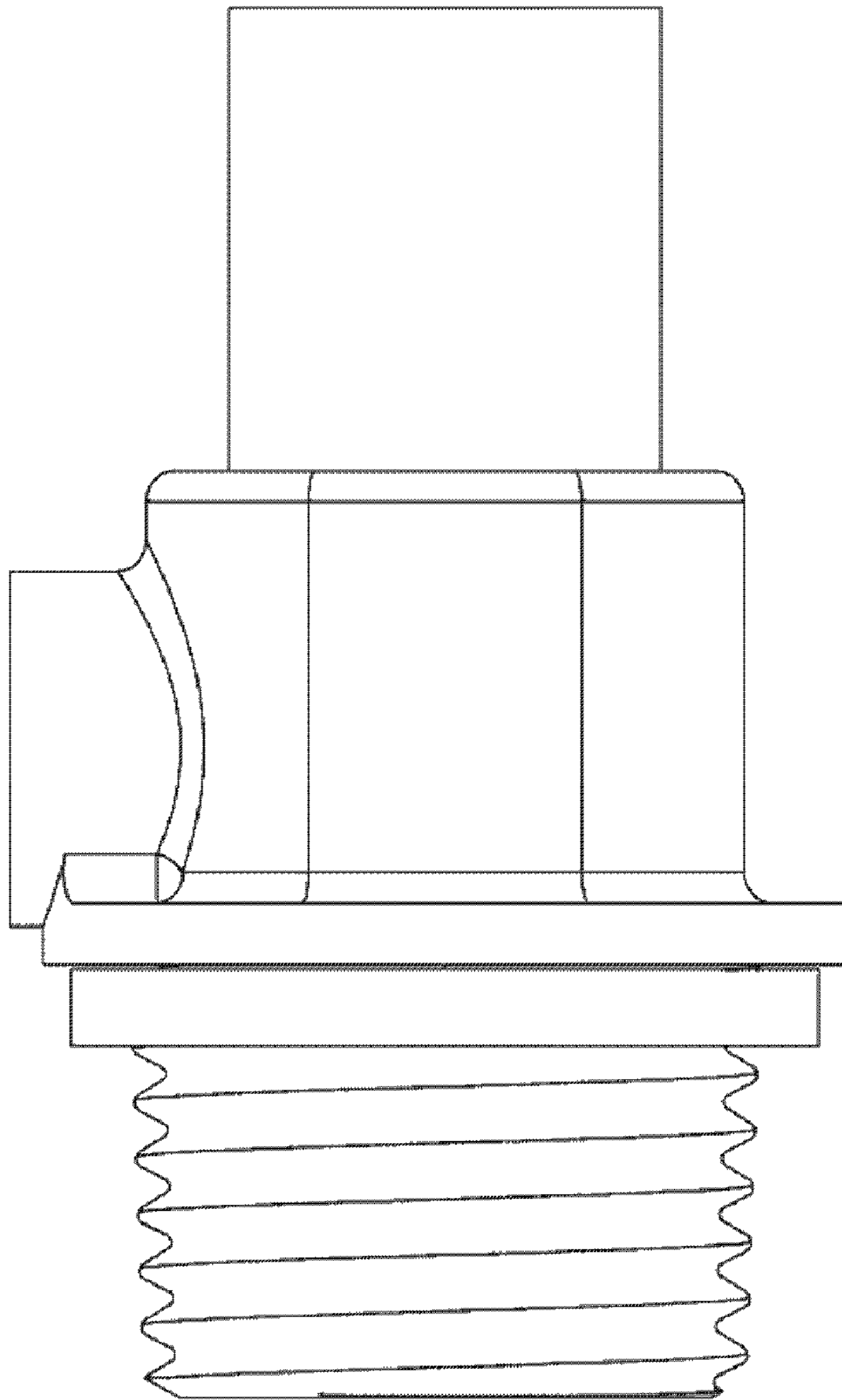


FIG. 4

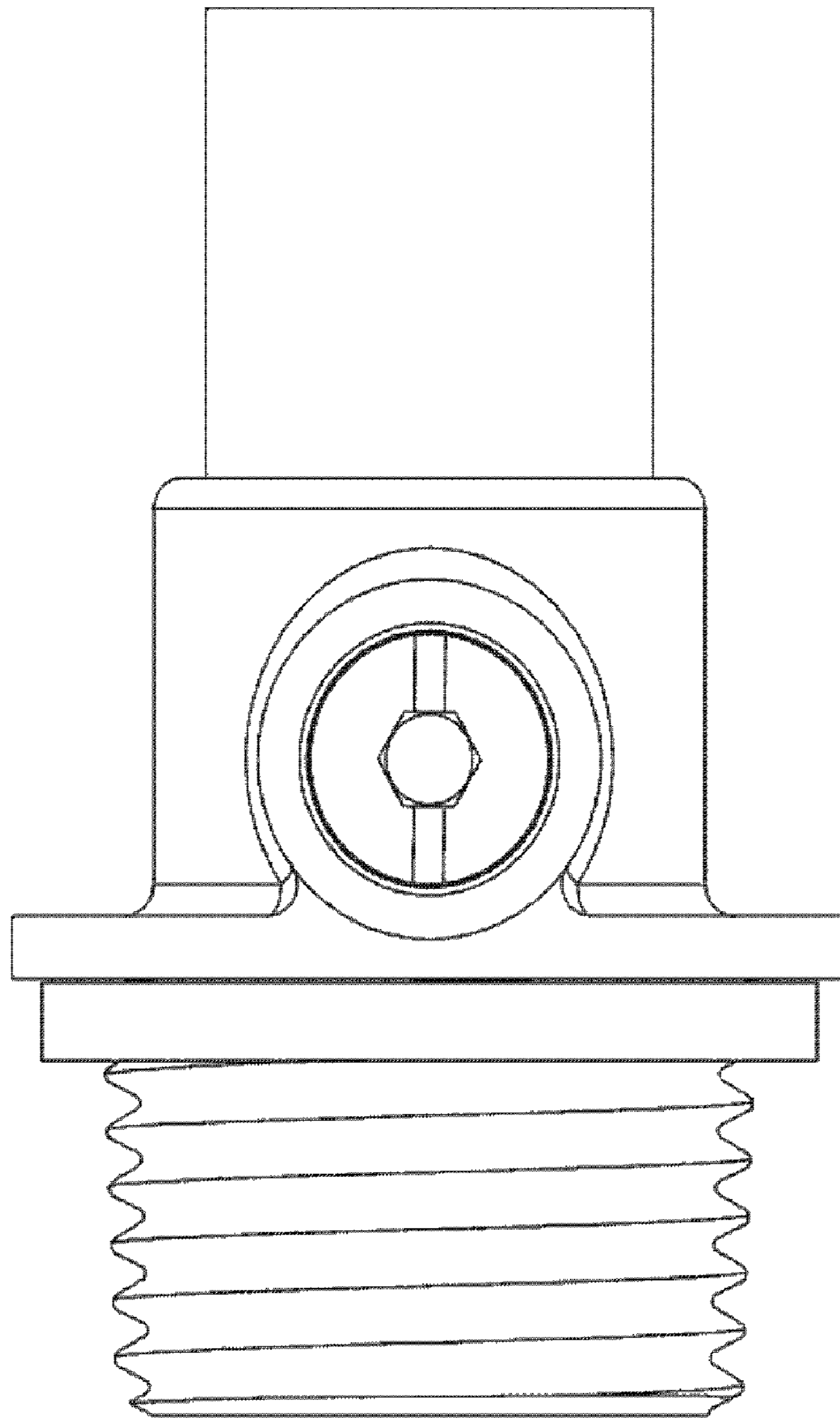


FIG. 5

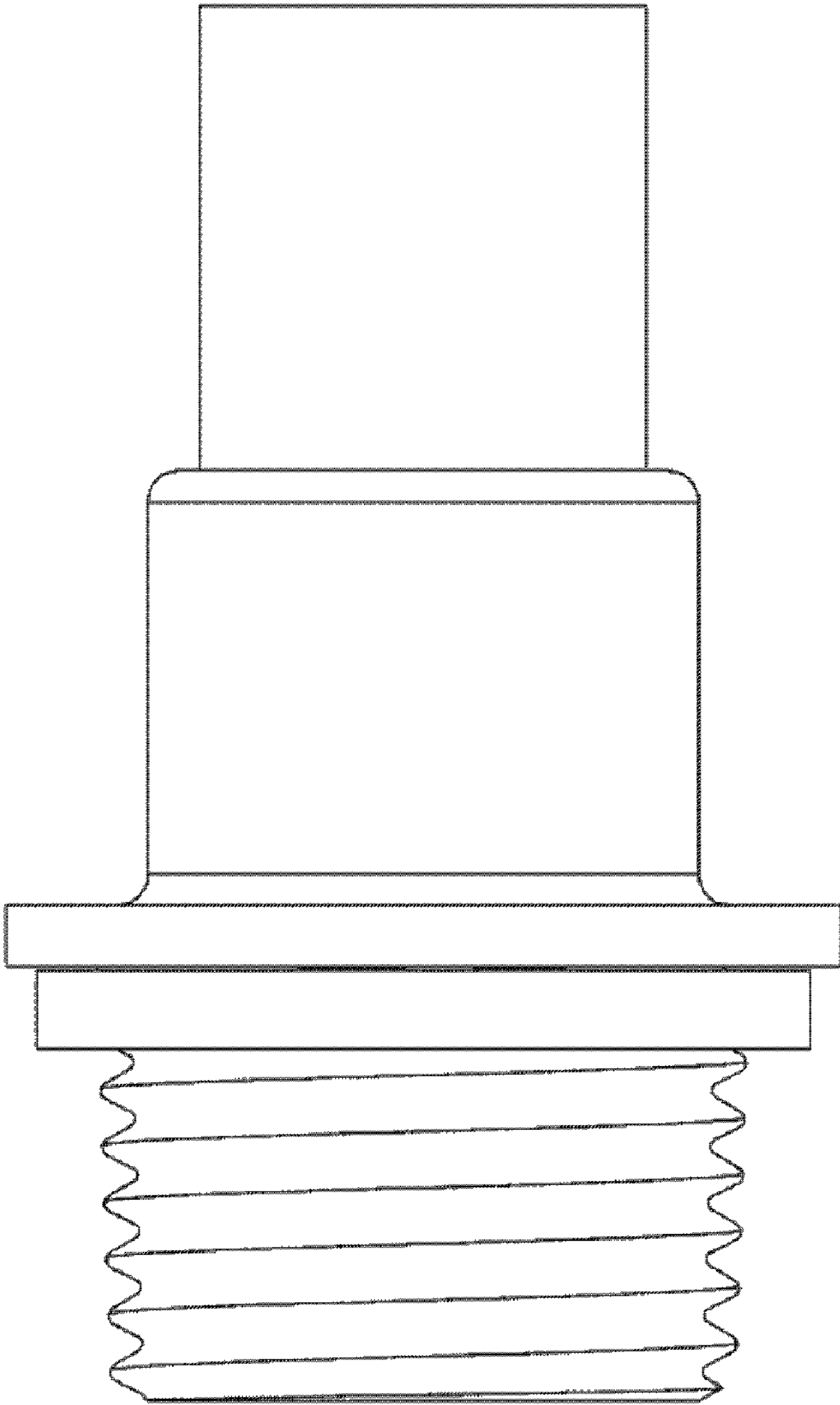


FIG. 6

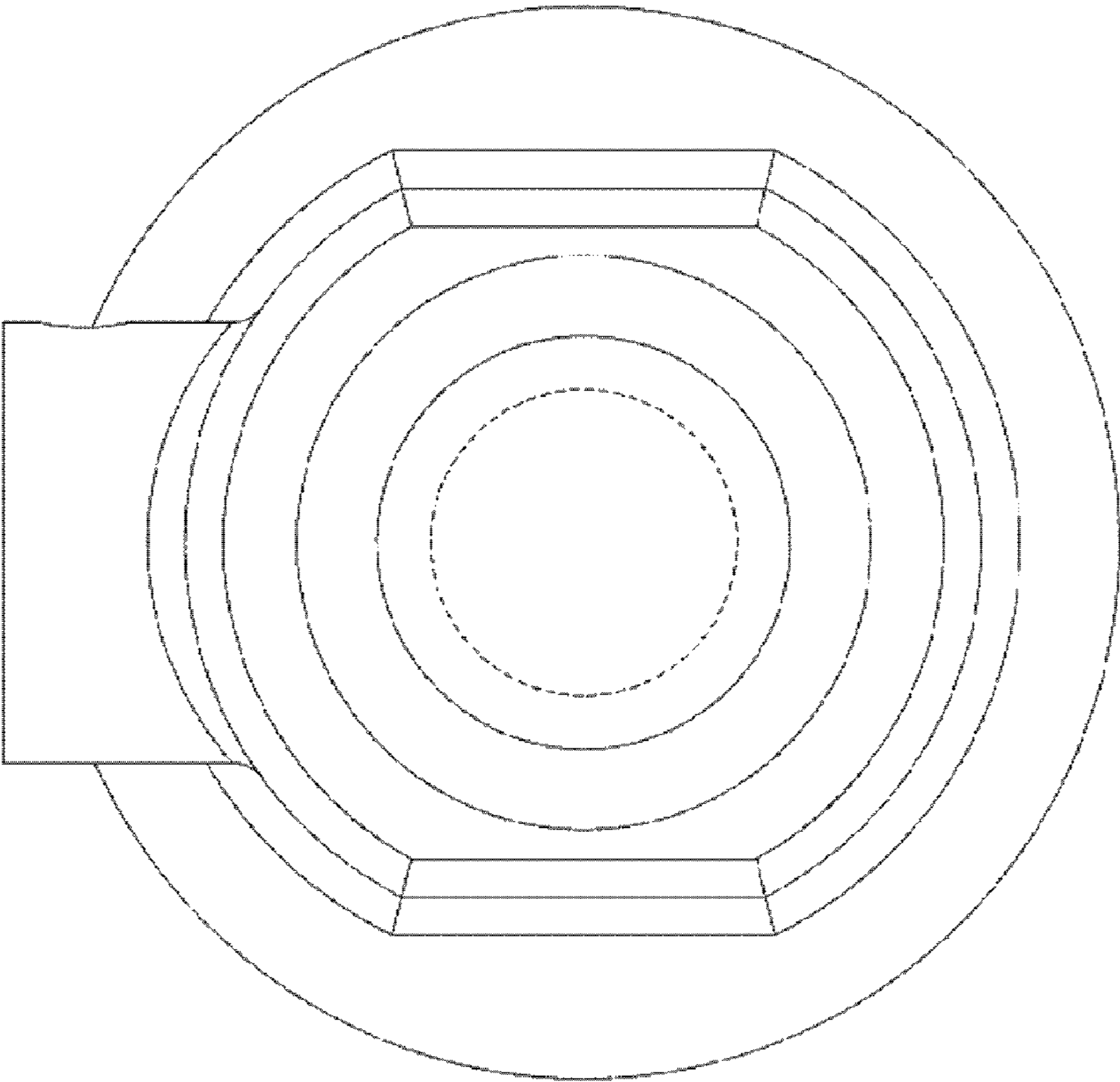


FIG. 7

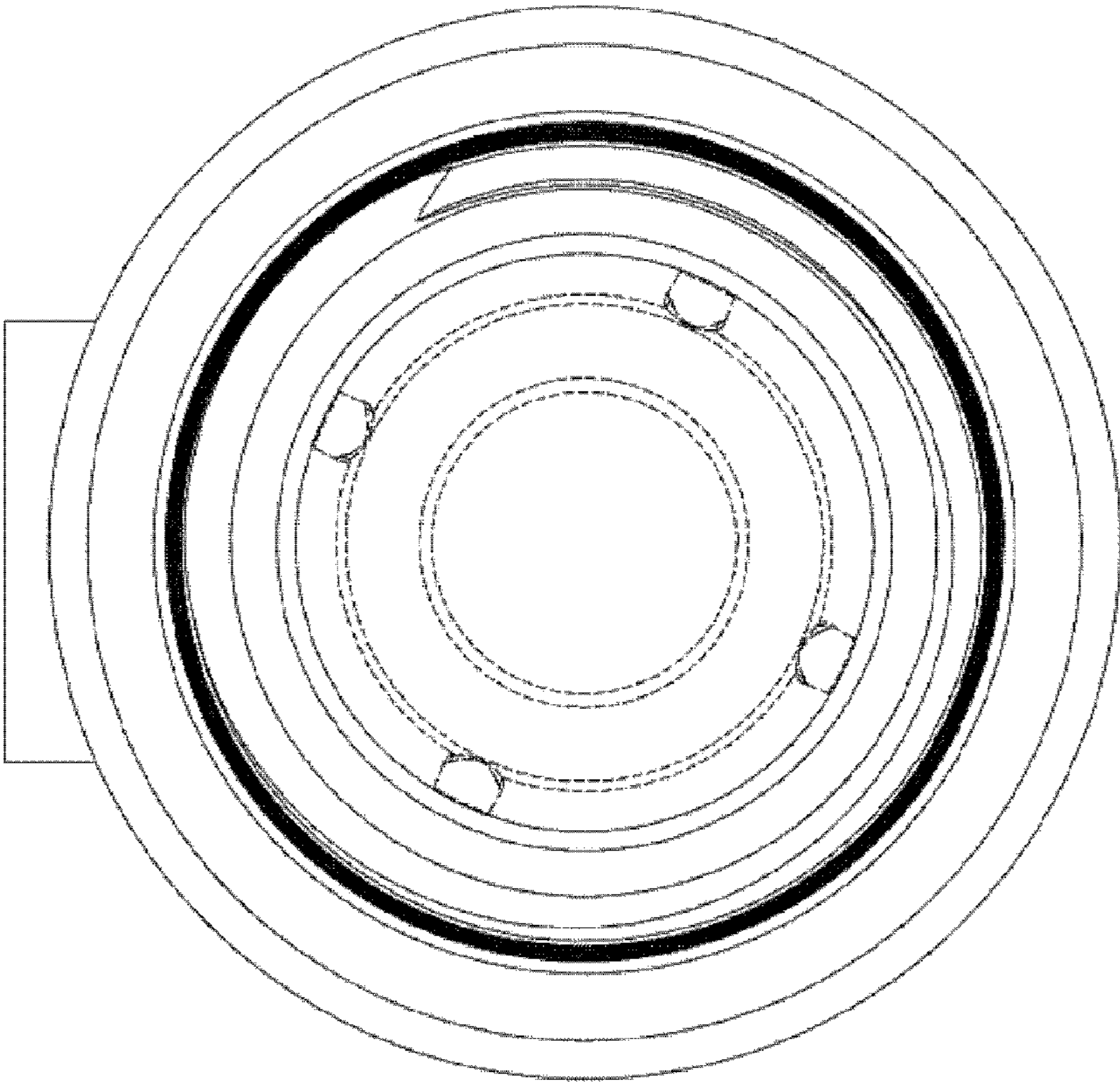


FIG. 8