



US00D638913S

(12) **United States Design Patent**
Koiwa

(10) **Patent No.:** **US D638,913 S**

(45) **Date of Patent:** **** May 31, 2011**

(54) **SPRINKLER HEAD BODY**

(75) Inventor: **Yasuaki Koiwa**, Tokyo (JP)

(73) Assignee: **Senju Sprinkler Co., Ltd.**, Tokyo (JP)

(**) Term: **14 Years**

(21) Appl. No.: **29/378,826**

(22) Filed: **Nov. 10, 2010**

(30) **Foreign Application Priority Data**

Jun. 10, 2010 (JP) 2010/014258

(51) **LOC (9) Cl.** **23-01**

(52) **U.S. Cl.** **D23/214**

(58) **Field of Classification Search** D23/213,
D23/214; 169/37, 38, 39

See application file for complete search history.

(56) **References Cited**

U.S. PATENT DOCUMENTS

D210,457 S * 3/1968 Mease D23/214
D288,116 S * 2/1987 McLennan et al. D23/214
5,299,645 A 4/1994 Hoening et al.

D348,719 S * 7/1994 Dolan D23/214
D550,808 S * 9/2007 Franson et al. D23/213
D551,320 S * 9/2007 Franson et al. D23/214
D552,712 S * 10/2007 Franson et al. D23/213
D567,329 S * 4/2008 Holmes D23/214
D603,479 S * 11/2009 Koiwa D23/214

* cited by examiner

Primary Examiner — Robin Webster

(74) *Attorney, Agent, or Firm* — Cermak Nakajima LLP;
Tomoko Nakajima

(57) **CLAIM**

The ornamental design for a sprinkler head body, as shown.

DESCRIPTION

FIG. 1 is a front top perspective view of a sprinkler head body showing my new design;

FIG. 2 is a front bottom perspective view thereof;

FIG. 3 is a front elevational view thereof;

FIG. 4 is a rear elevational view thereof;

FIG. 5 is a right side view thereof;

FIG. 6 is a left side view thereof;

FIG. 7 is a top plan view thereof; and,

FIG. 8 is a bottom plan view thereof.

1 Claim, 8 Drawing Sheets

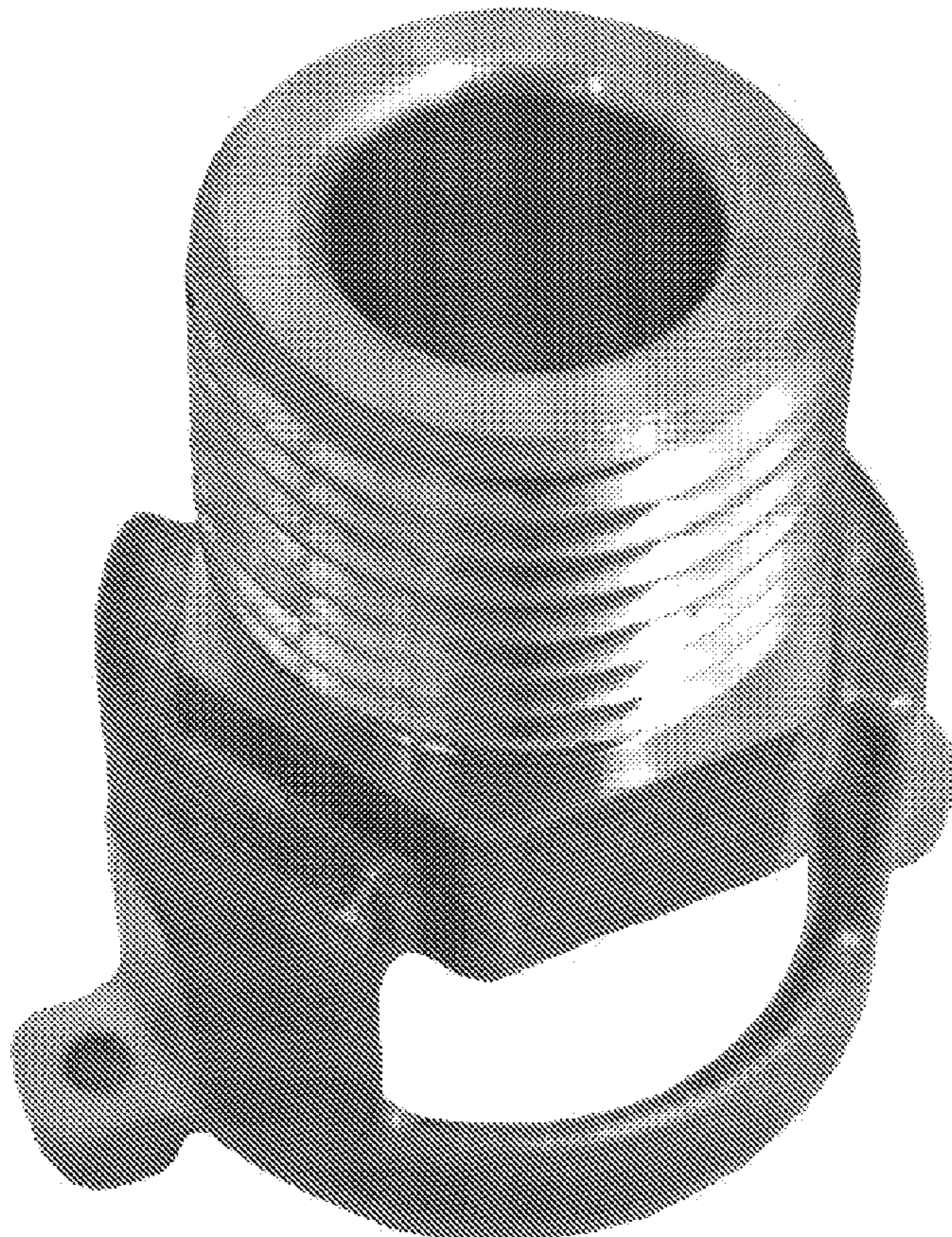


Fig. 1

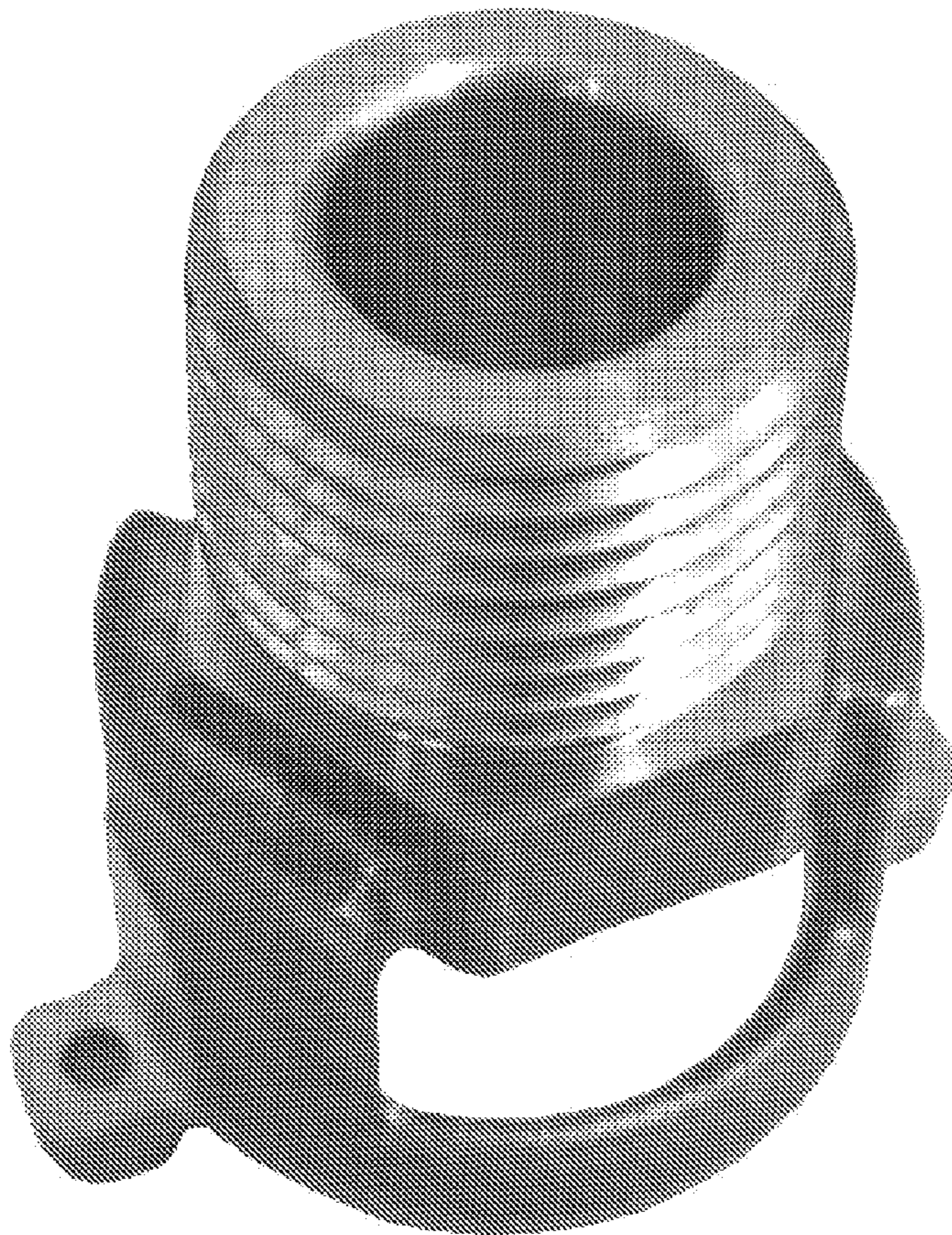


Fig.2

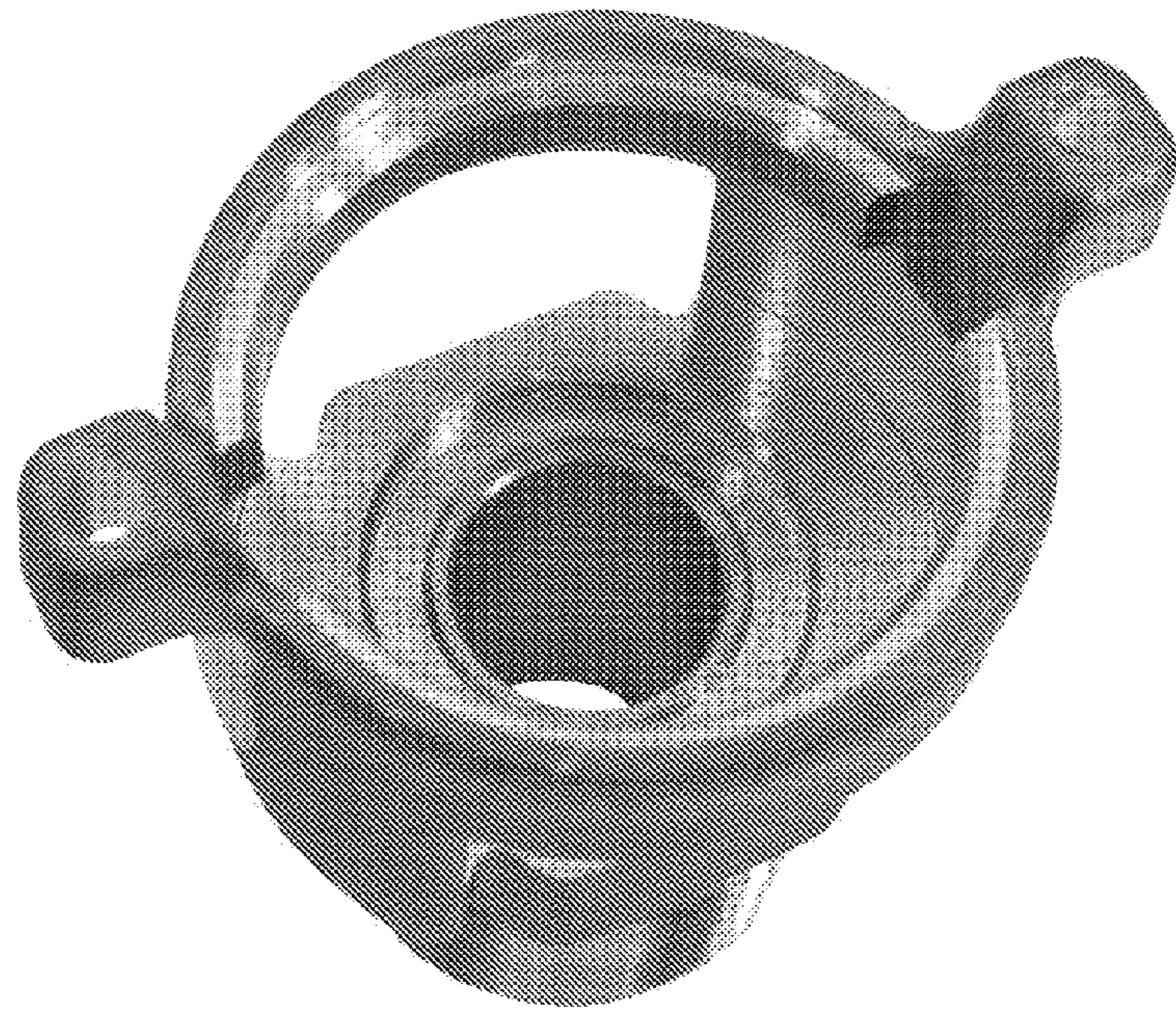


Fig.3

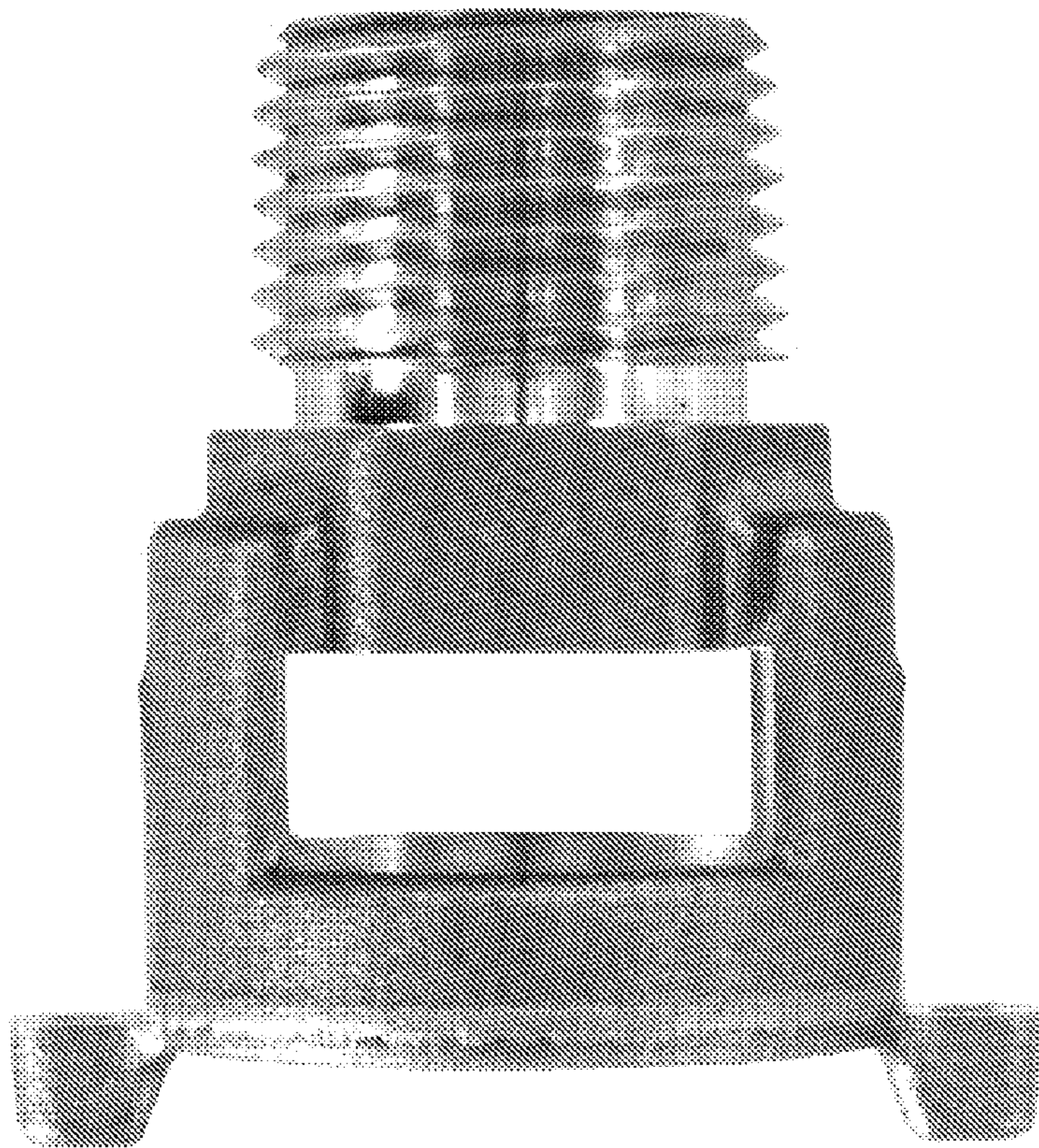


Fig.4

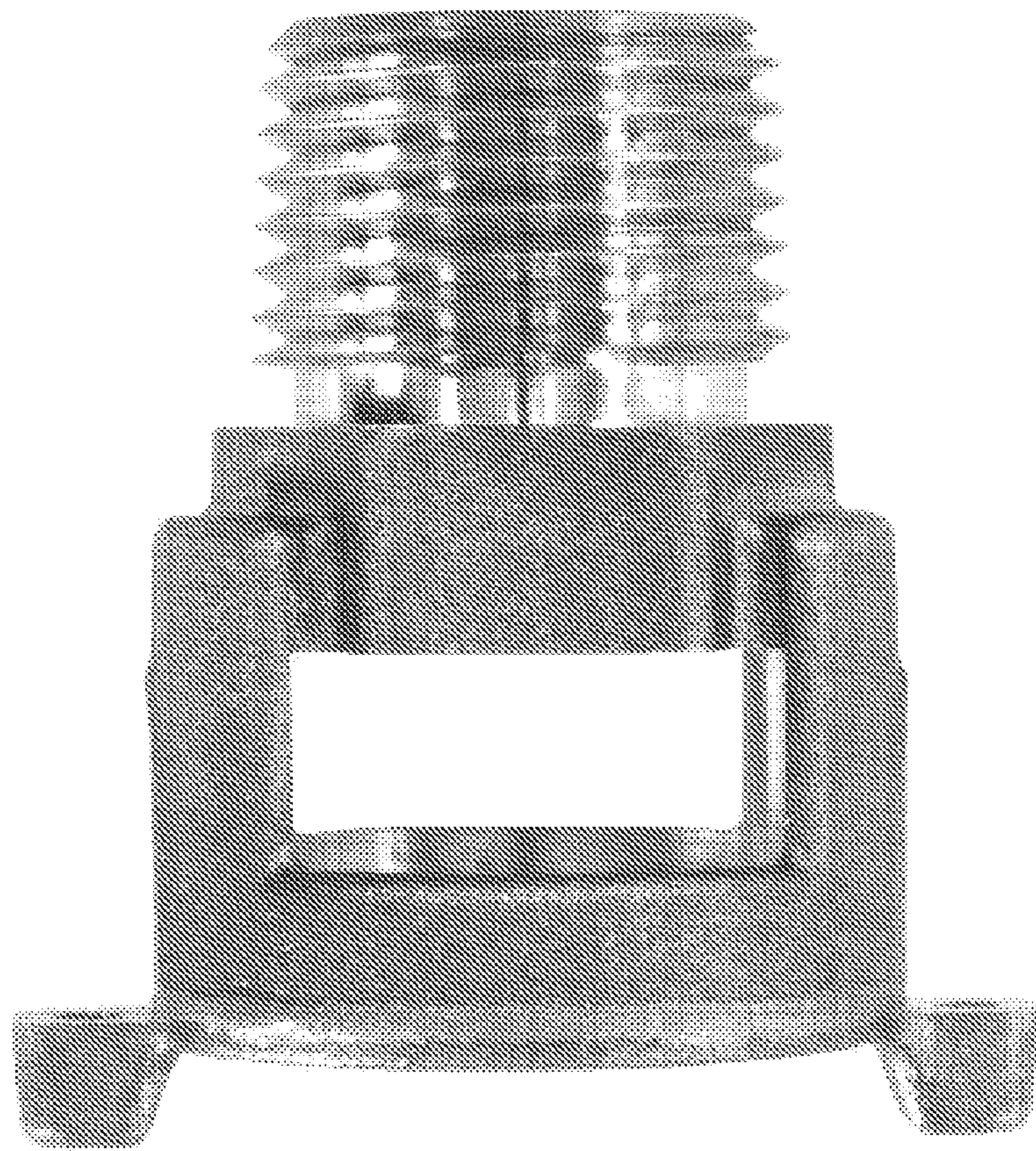


Fig.5

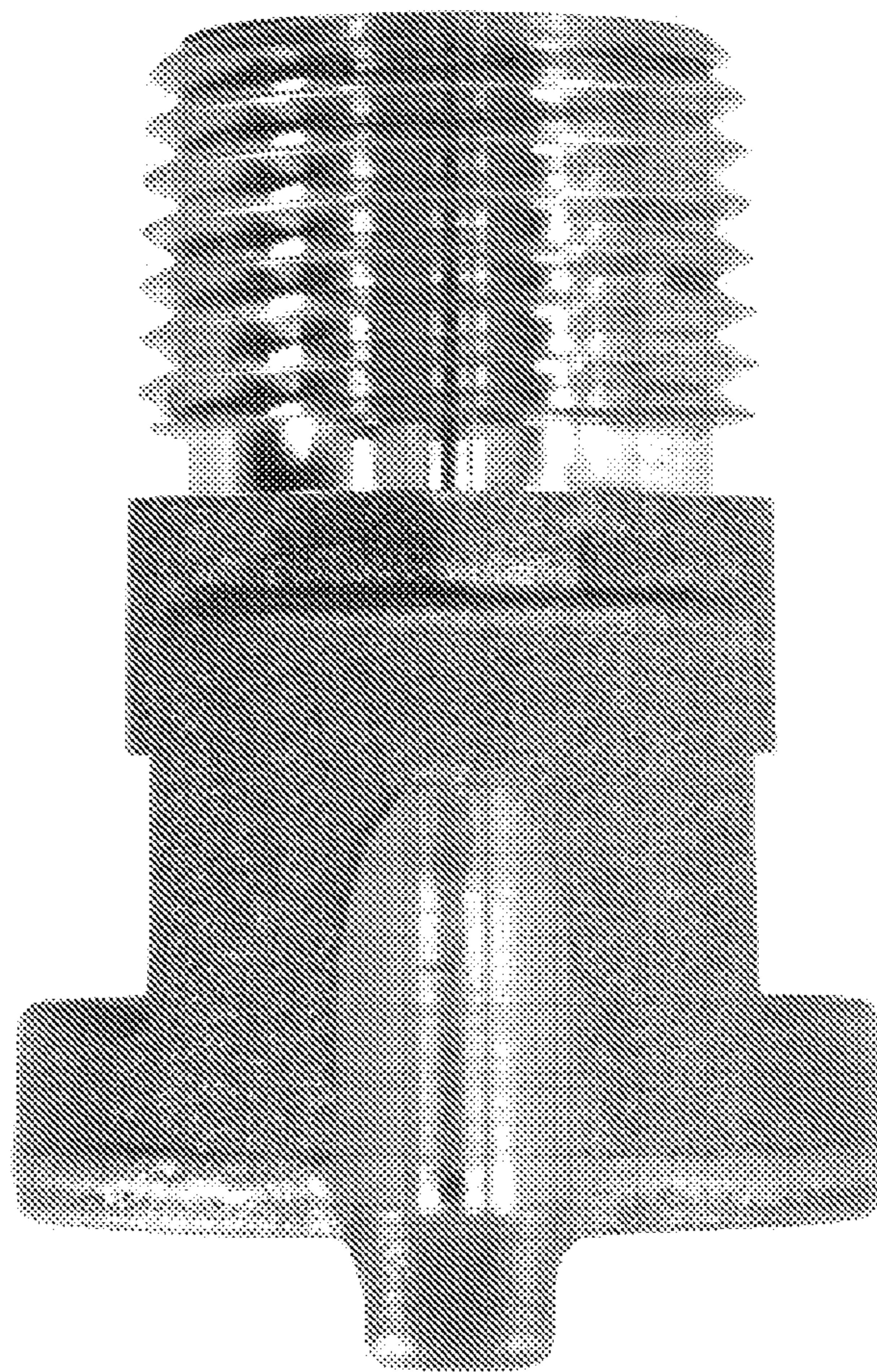


Fig.6

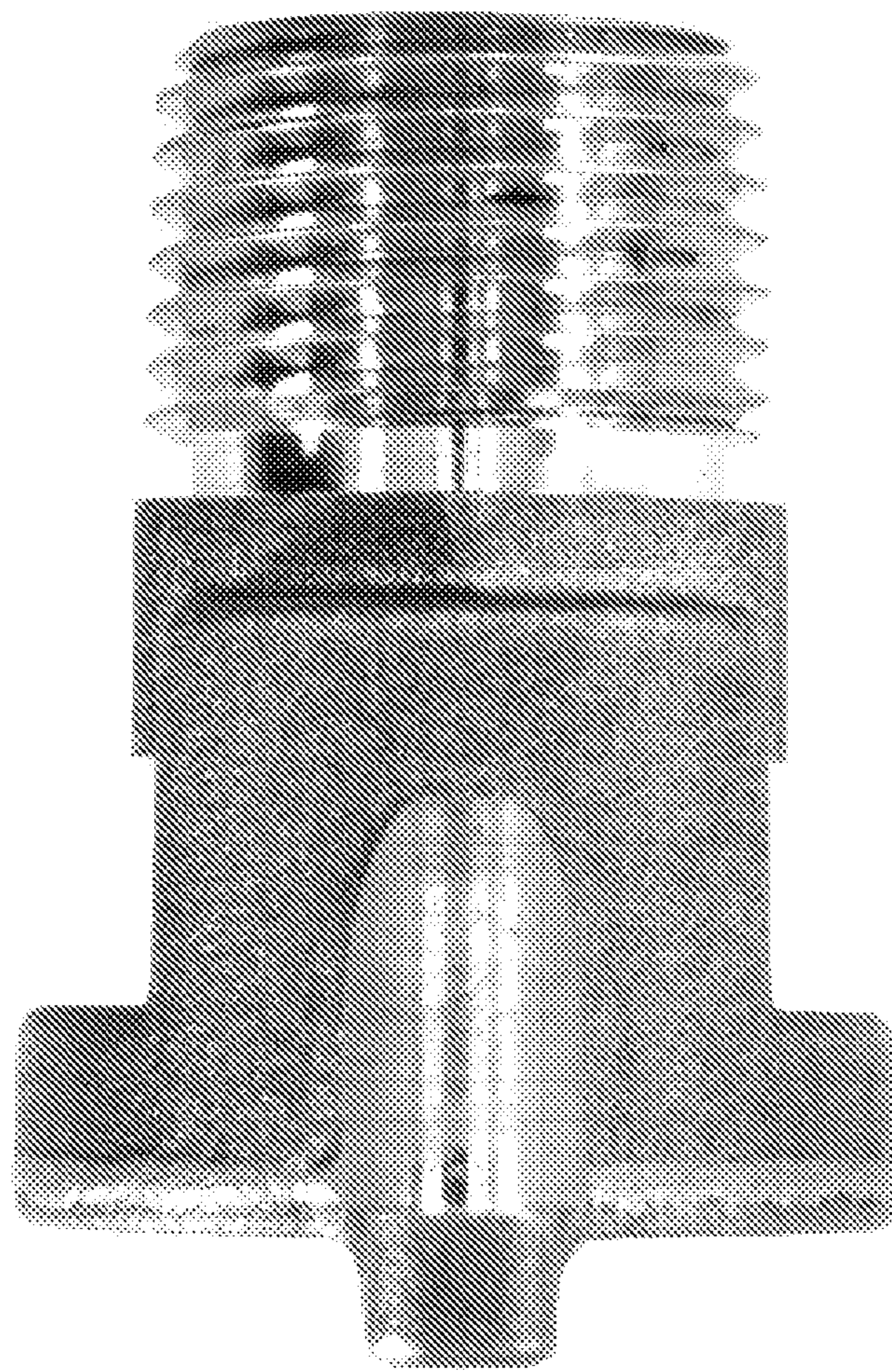


Fig.7

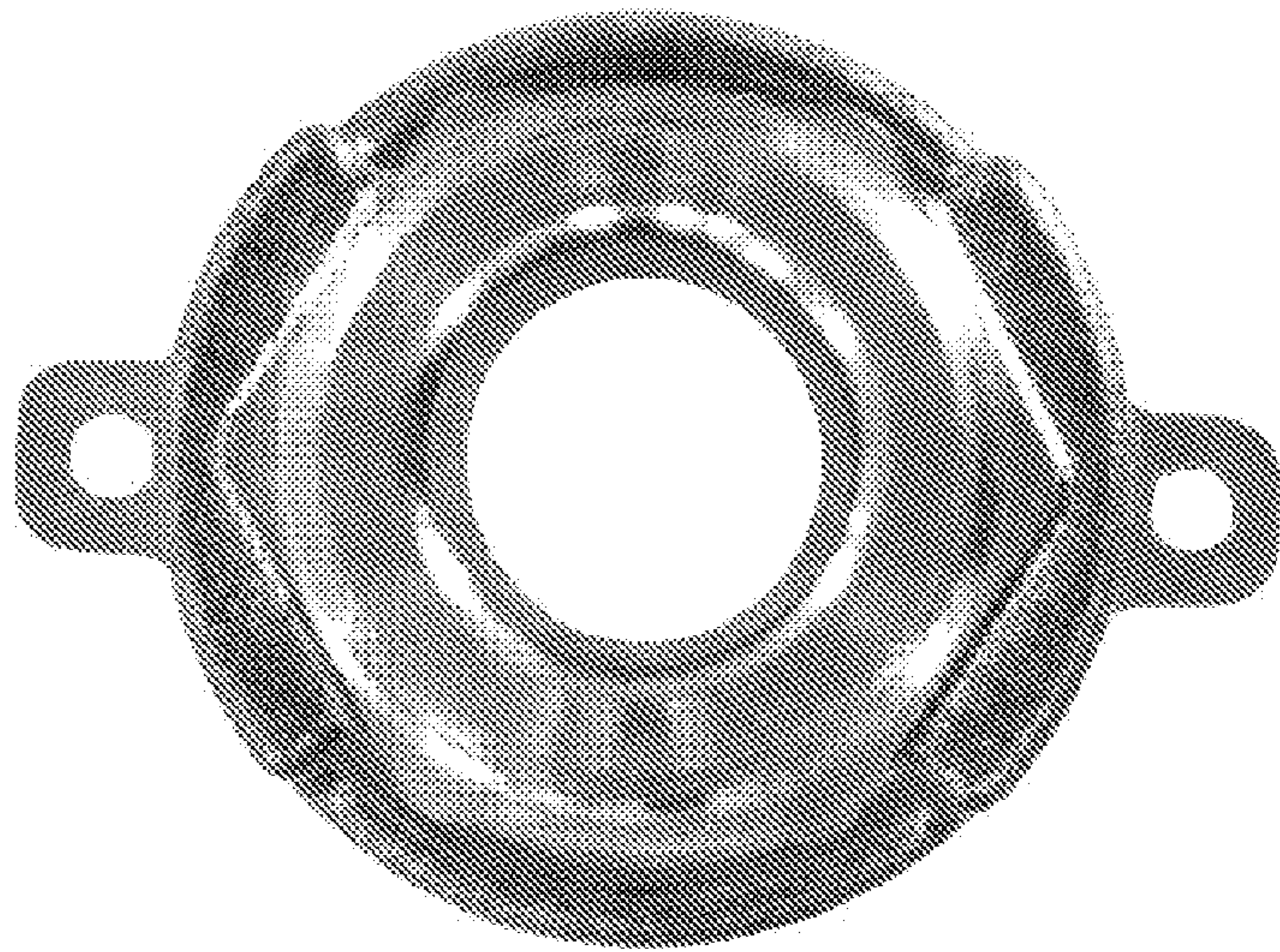


Fig.8

