



US00D638912S

(12) **United States Design Patent**
Wright et al.

(10) **Patent No.:** **US D638,912 S**

(45) **Date of Patent:** **** May 31, 2011**

(54) **SELF REGULATING FLUID BEARING HIGH PRESSURE ROTARY NOZZLE**

2010/0025492 A1 2/2010 Wright

* cited by examiner

(75) Inventors: **Douglas E. Wright**, Durango, CO (US);
Neil C. O'Connor, Hesperus, CO (US)

Primary Examiner — Robin Webster

(74) *Attorney, Agent, or Firm* — Greenberg Traurig LLP

(73) Assignee: **Stoneage, Inc.**, Durango, CO (US)

(57) **CLAIM**

The ornamental design for a self regulating fluid bearing high pressure rotary nozzle, as shown and described.

(**) Term: **14 Years**

(21) Appl. No.: **29/381,619**

DESCRIPTION

(22) Filed: **Dec. 21, 2010**

(51) **LOC (9) Cl.** **23-01**

(52) **U.S. Cl.** **D23/213**

(58) **Field of Classification Search** D23/213,

D23/214; 239/251, 259, 225.1

See application file for complete search history.

FIG. 1 is a front perspective view of a self regulating fluid bearing high pressure rotary nozzle showing my new nozzle design.

FIG. 2 is a rear perspective view of my new nozzle design.

FIG. 3 is one side elevational view of the nozzle shown in FIGS. 1 and 2, the opposite side elevational view being substantially identical thereto.

FIG. 4 is a side elevational view of the nozzle shown in FIGS. 1 and 2 rotated clockwise about its longitudinal axis 90 degrees from the view shown in FIG. 3.

FIG. 5 is a top plan view of the front end of the nozzle shown in FIGS. 1 and 2.

FIG. 6 is a bottom plan view of the rear end of the nozzle shown in FIGS. 1 and 2; and,

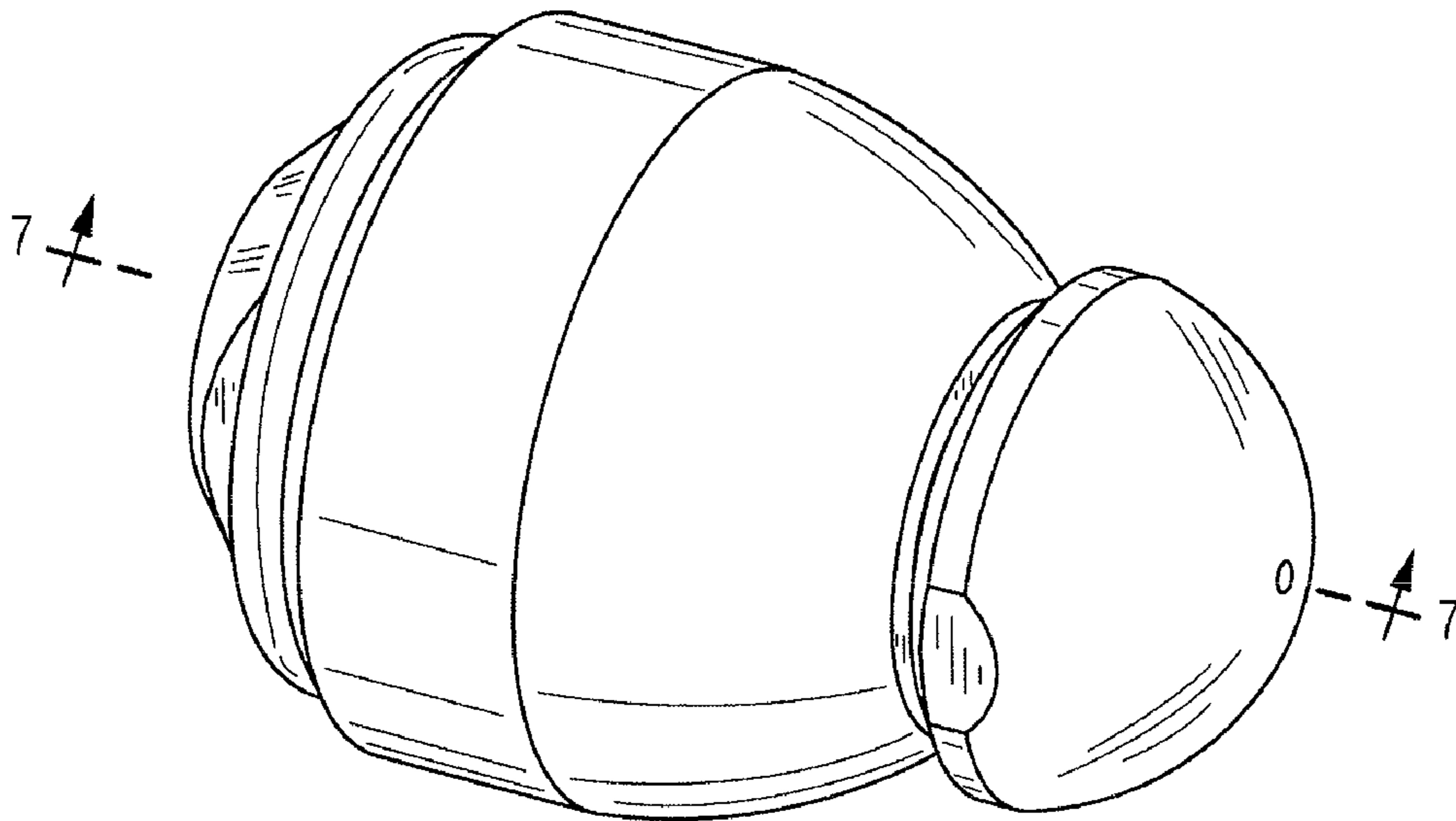
FIG. 7 is a longitudinal cross sectional view taken along line 7—7 of FIG. 1.

(56) **References Cited**

U.S. PATENT DOCUMENTS

| | | | | |
|----------------|---------|---------------|-------|---------|
| D285,824 S * | 9/1986 | Anderson | | D23/214 |
| 5,096,122 A * | 3/1992 | Abramoska | | 239/252 |
| D327,943 S * | 7/1992 | Tsai | | D23/213 |
| 6,059,202 A * | 5/2000 | Zink et al. | | 239/259 |
| 7,546,959 B2 * | 6/2009 | Wagner et al. | | 239/252 |
| D617,870 S | 6/2010 | Wright | | |
| D617,871 S | 6/2010 | Wright | | |
| D622,810 S | 8/2010 | Wright | | |
| D626,624 S | 11/2010 | Wright | | |
| D631,131 S | 1/2011 | Wright | | |

1 Claim, 4 Drawing Sheets



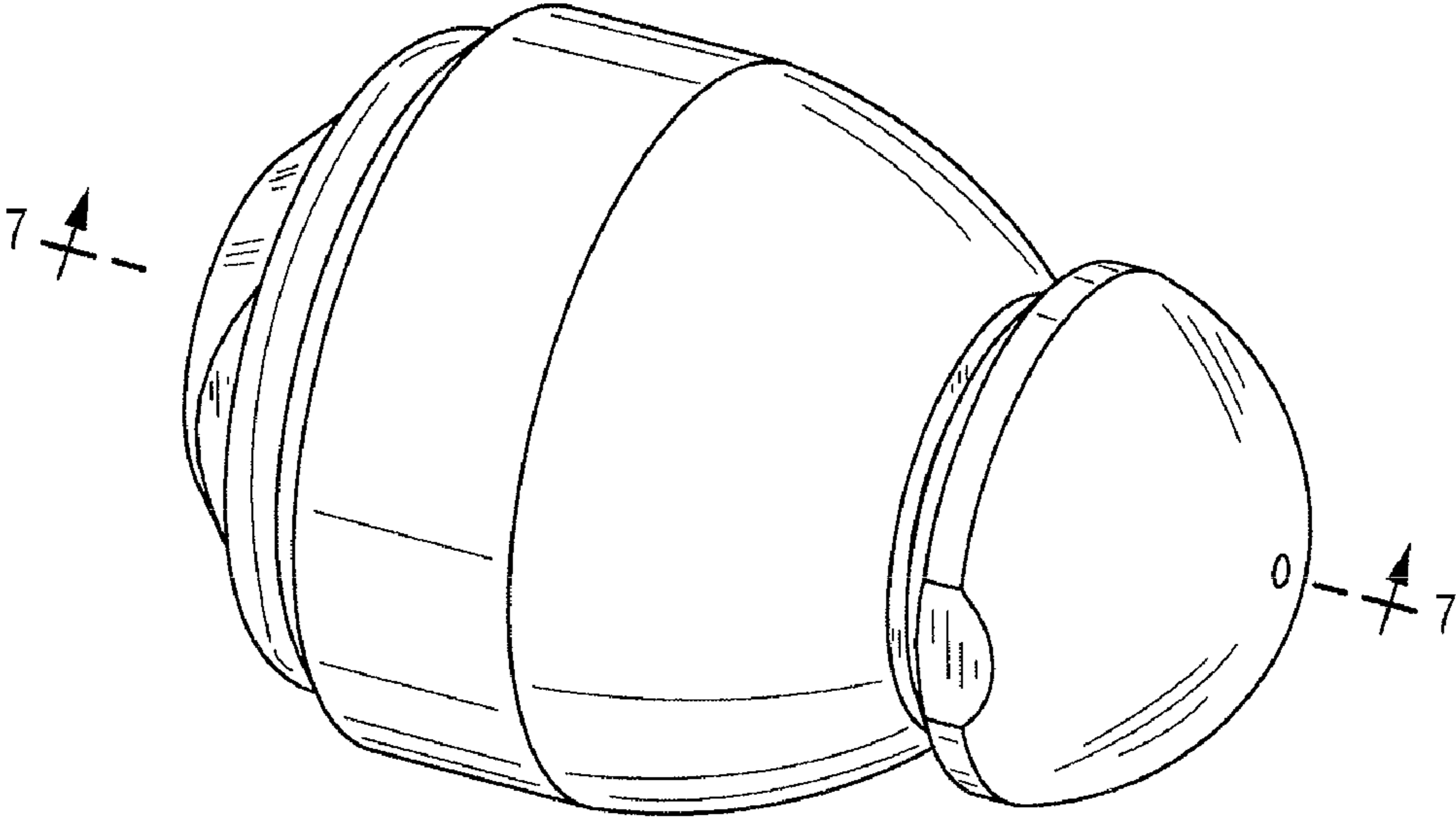


FIG.1

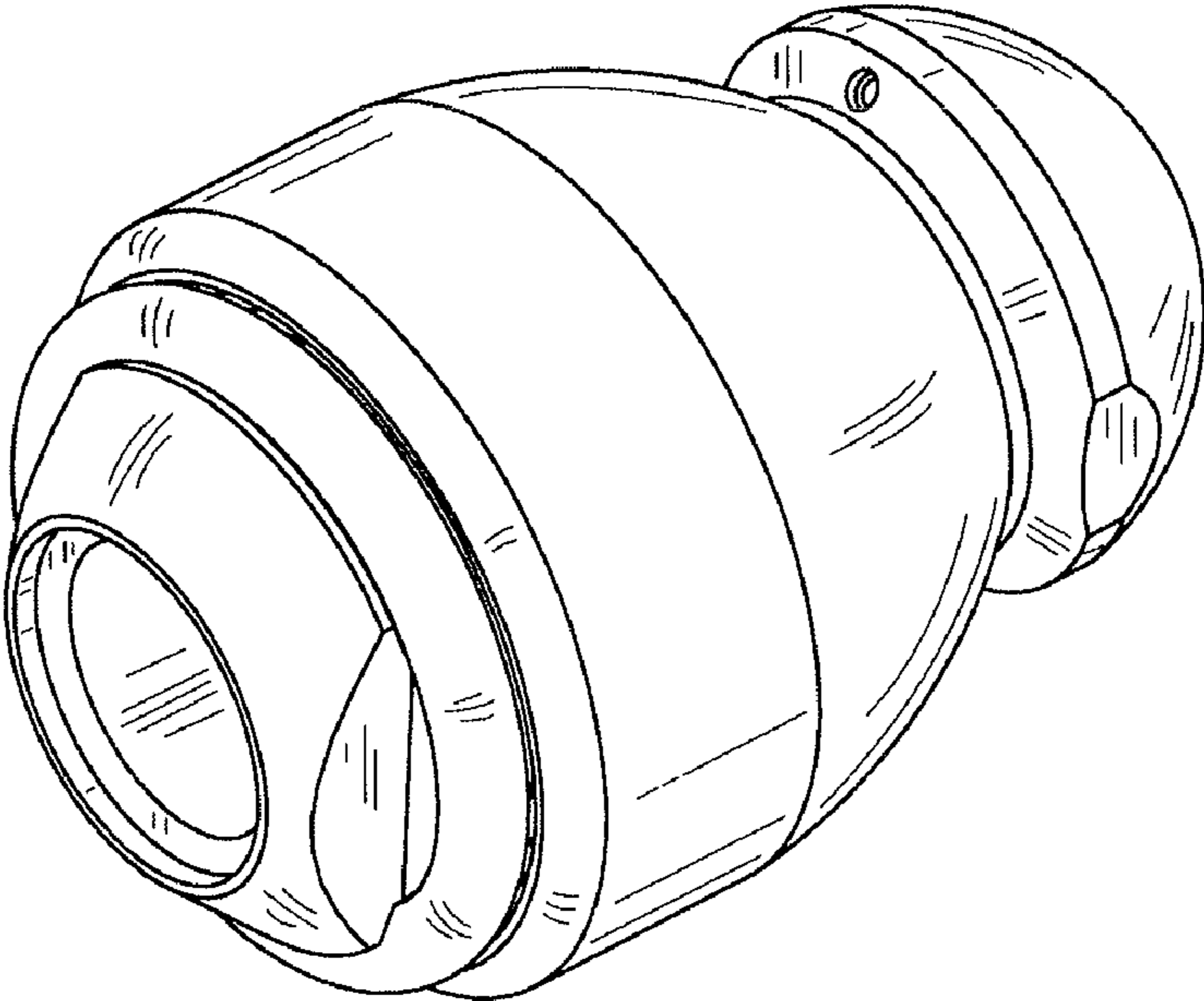


FIG.2

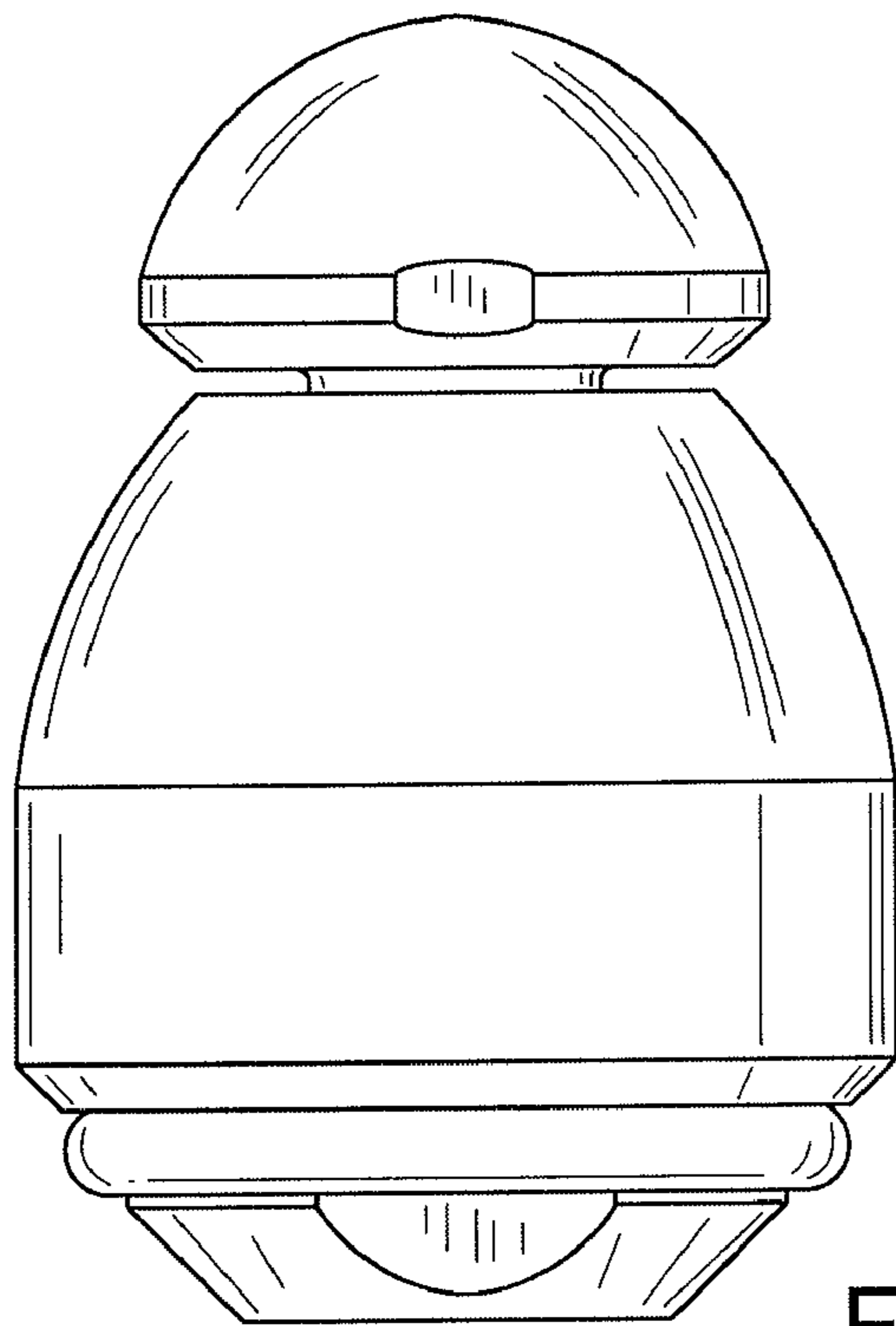


FIG.3

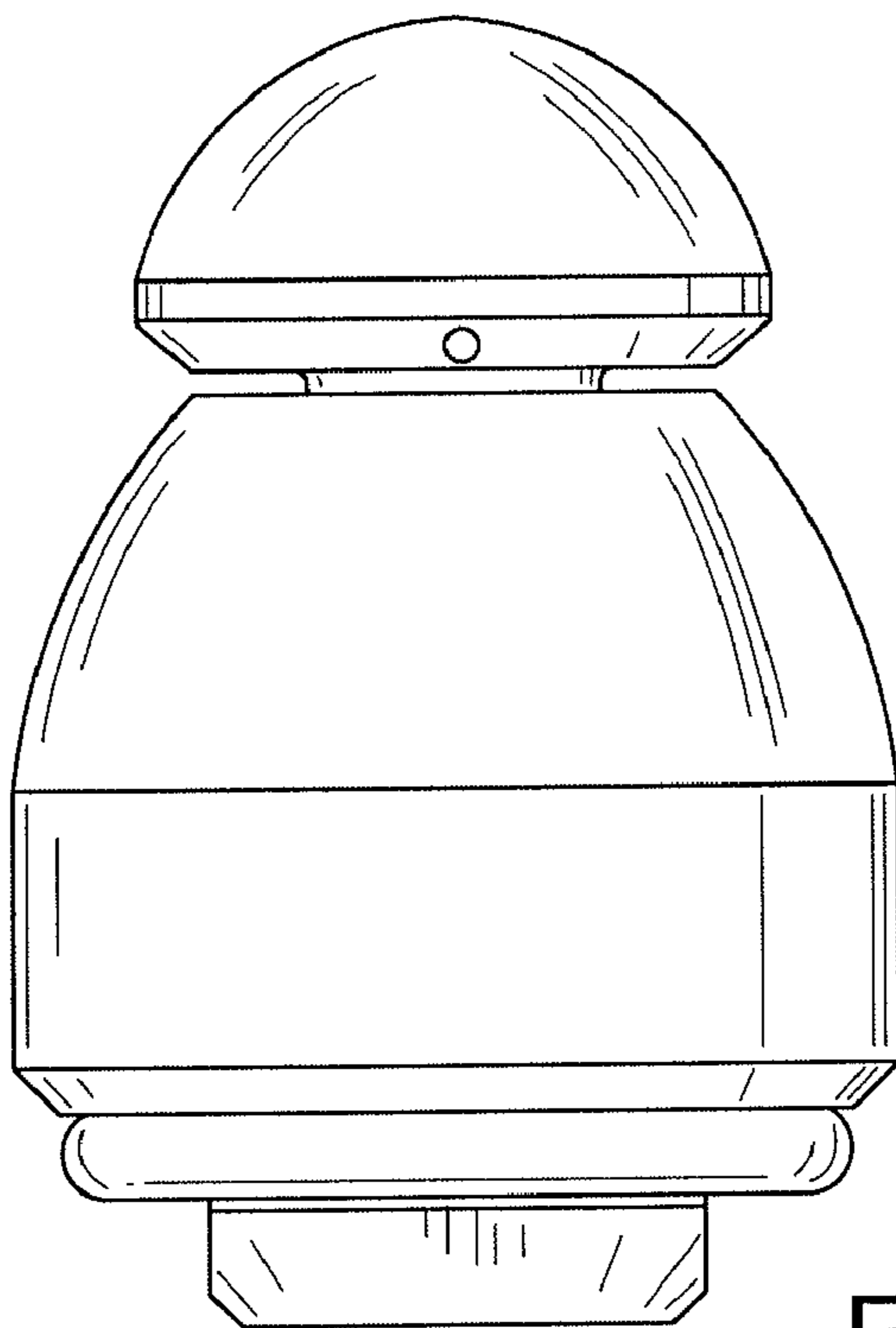


FIG.4

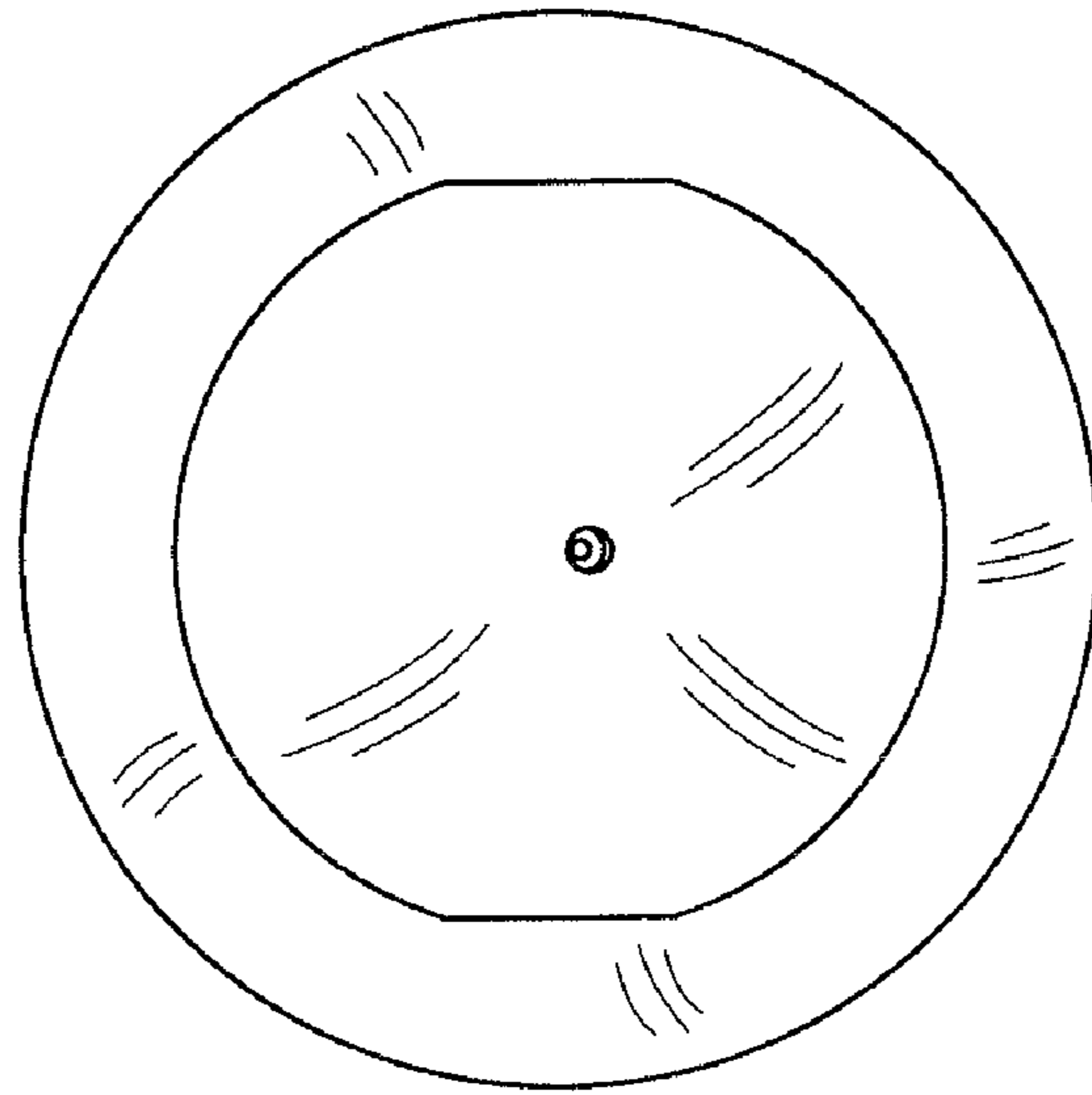


FIG.5

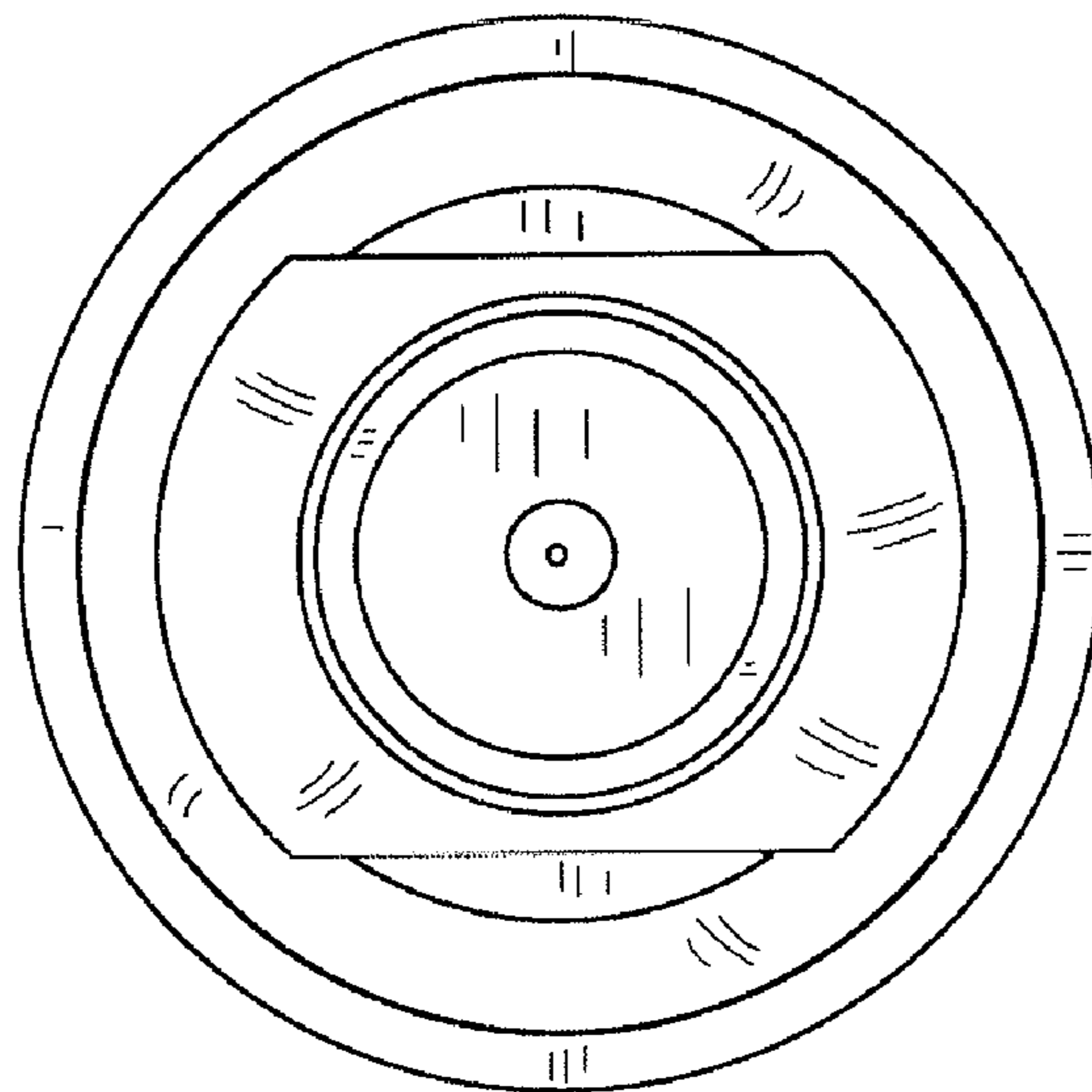


FIG.6

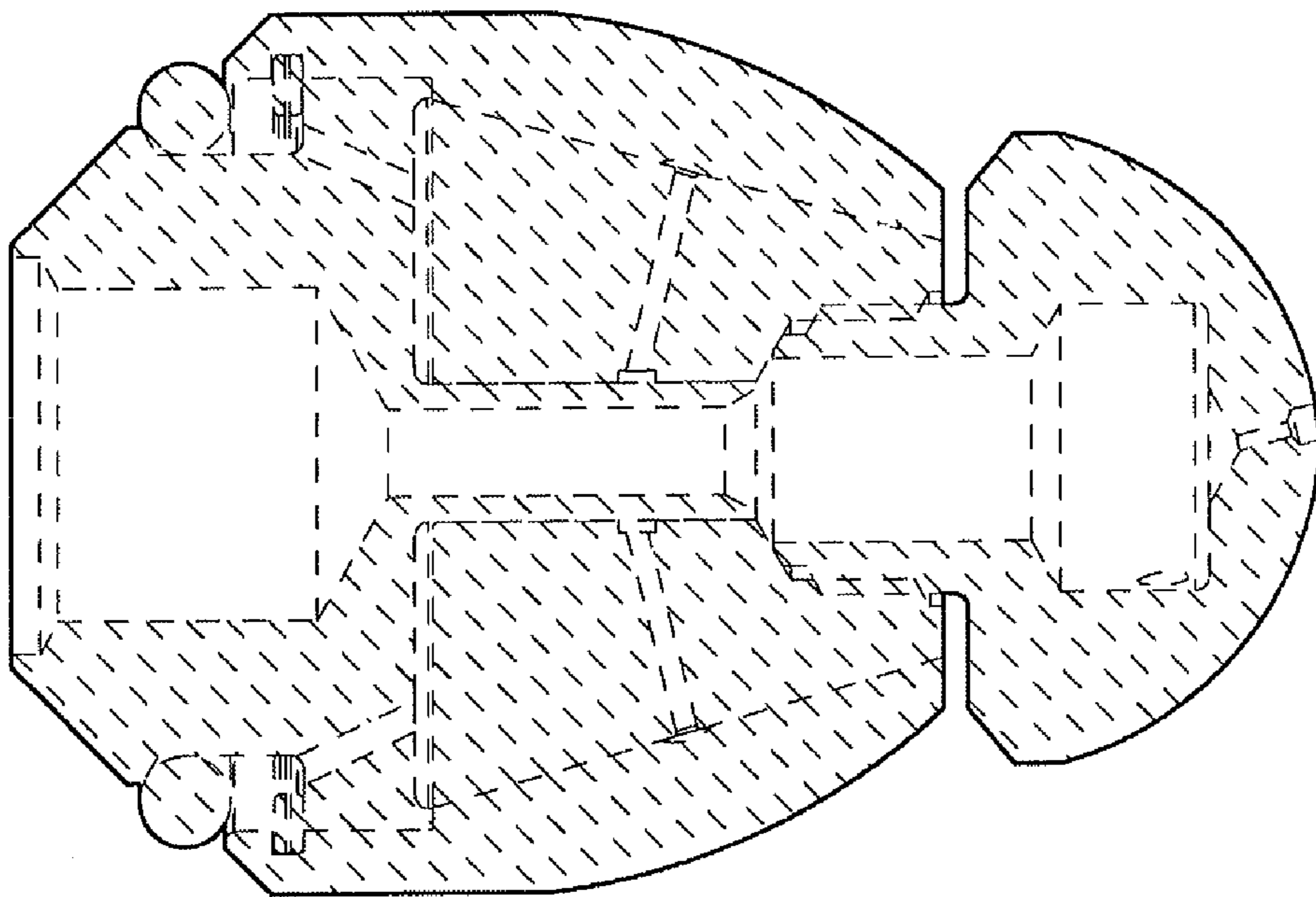


FIG. 7