



US00D638911S

(12) **United States Design Patent**
Laski

(10) **Patent No.:** **US D638,911 S**

(45) **Date of Patent:** **** May 31, 2011**

(54) **LONG REACH IMPINGEMENT NOZZLE**

(75) Inventor: **Stephen J. Laski**, Howell, MI (US)

(73) Assignee: **KMT Robotic Solutions, Inc.**, Auburn Hills, MI (US)

(**) Term: **14 Years**

(21) Appl. No.: **29/375,165**

(22) Filed: **Sep. 17, 2010**

(51) **LOC (9) Cl.** **23-01**

(52) **U.S. Cl.** **D23/213**

(58) **Field of Classification Search** D23/213,
D23/223, 226; 239/526, 530-532
See application file for complete search history.

(56) **References Cited**

U.S. PATENT DOCUMENTS

4,951,429	A	8/1990	Hashish et al.	
D310,405	S *	9/1990	Proctor et al.	D23/226
4,973,026	A	11/1990	Saurwein	
5,020,724	A	6/1991	Kiyono et al.	
D317,968	S *	7/1991	Tsai	D23/226
5,028,004	A	7/1991	Hammelmann	
5,135,170	A	8/1992	Takeda et al.	
5,499,768	A	3/1996	Tanaka et al.	

5,518,183	A	5/1996	Waldrum	
5,878,966	A	3/1999	Asakawa et al.	
5,966,847	A *	10/1999	Nathenson et al.	37/347
6,526,999	B2	3/2003	Tebbe	
6,663,307	B2 *	12/2003	Kopanic et al.	401/190
7,051,959	B2 *	5/2006	Lim	239/548
7,080,888	B2	7/2006	Hach	
7,100,844	B2	9/2006	McGuire	
D533,963	S *	12/2006	Boyne	D28/7
D612,451	S *	3/2010	Nugent et al.	D23/226
D628,271	S *	11/2010	Carpanese	D23/213

* cited by examiner

Primary Examiner — Robin V Webster

(74) *Attorney, Agent, or Firm* — Dickinson Wright PLLC

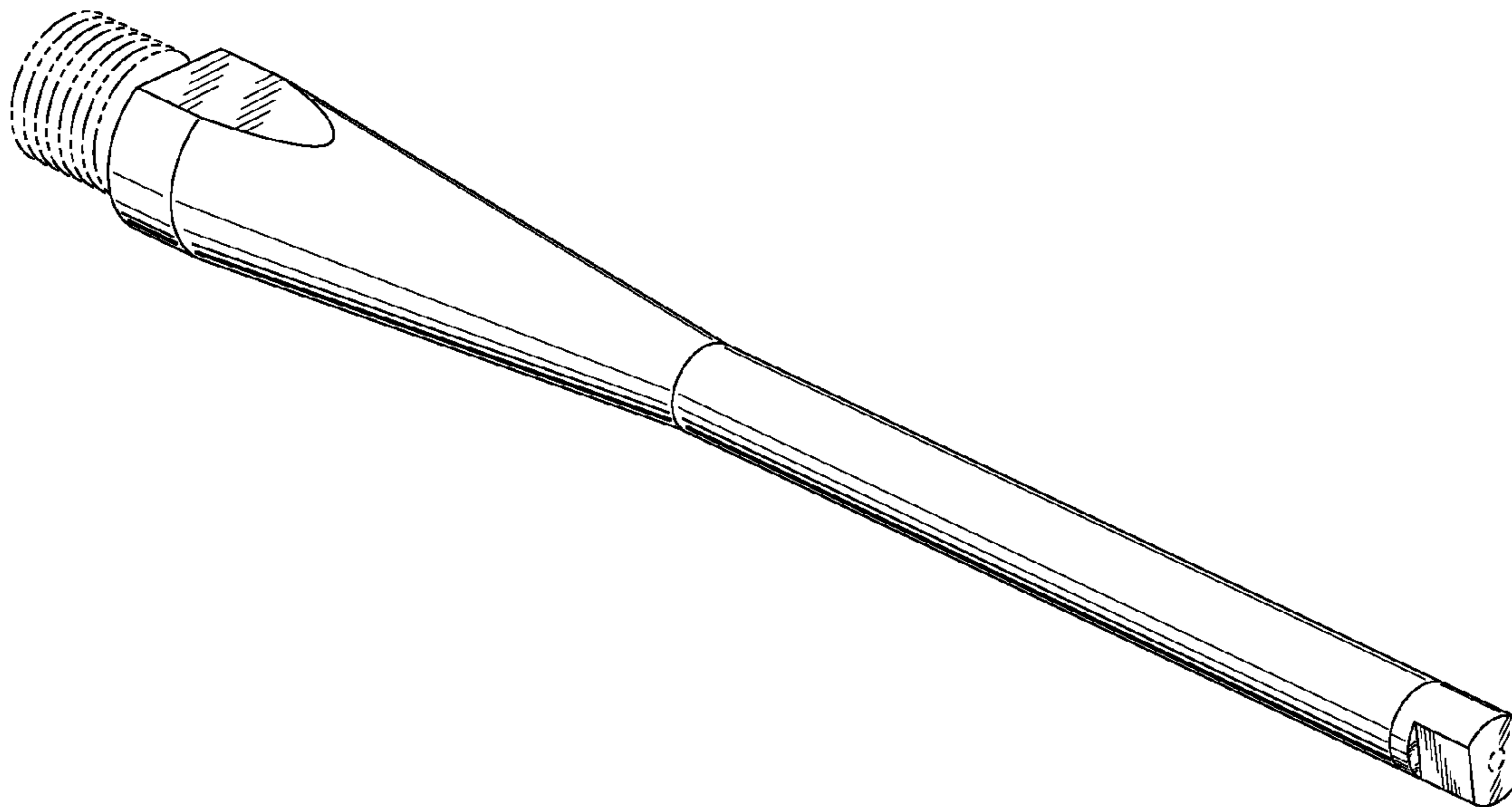
(57) **CLAIM**

The ornamental design for a long reach impingement nozzle, as shown and described.

DESCRIPTION

FIG. 1 is a perspective view of nozzle;
FIG. 2 is a first side view of the nozzle;
FIG. 3 is a second side view of the nozzle;
FIG. 4 is a first end view of the nozzle; and,
FIG. 5 is a second end view of the nozzle.
The broken line showing is included for the purpose of illustrating and forms no part of the claimed design.

1 Claim, 1 Drawing Sheet



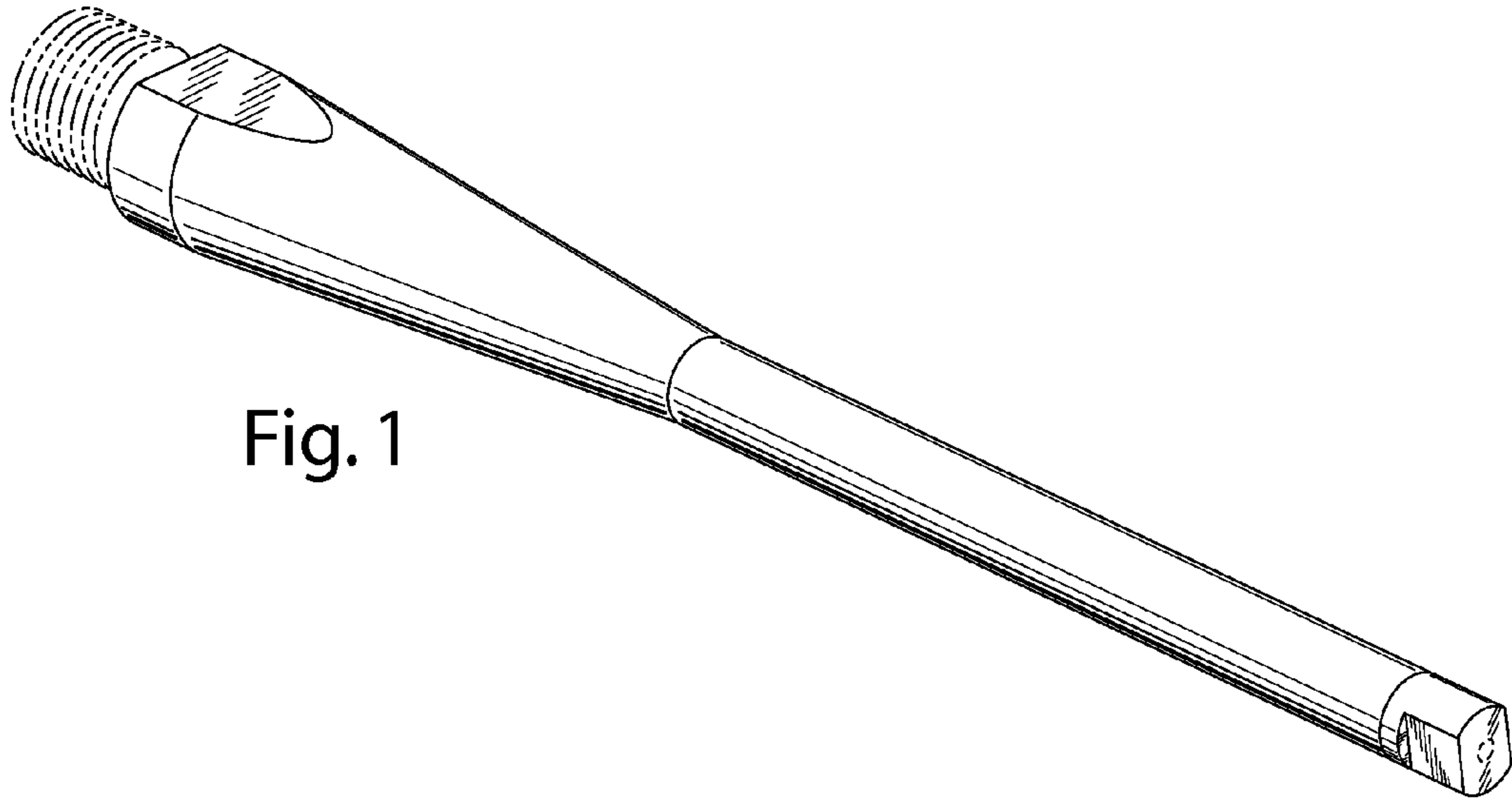


Fig. 1

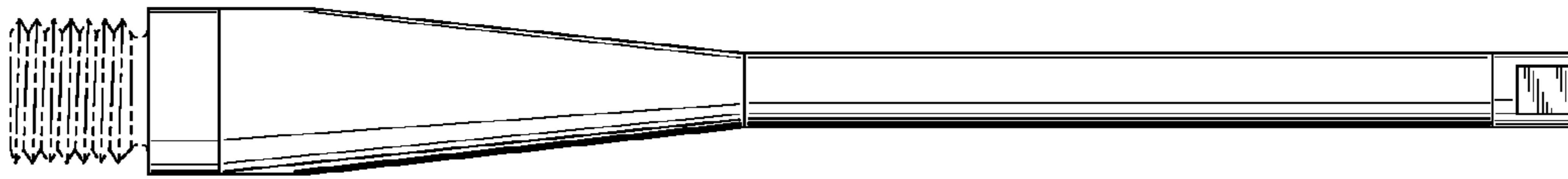


Fig. 2

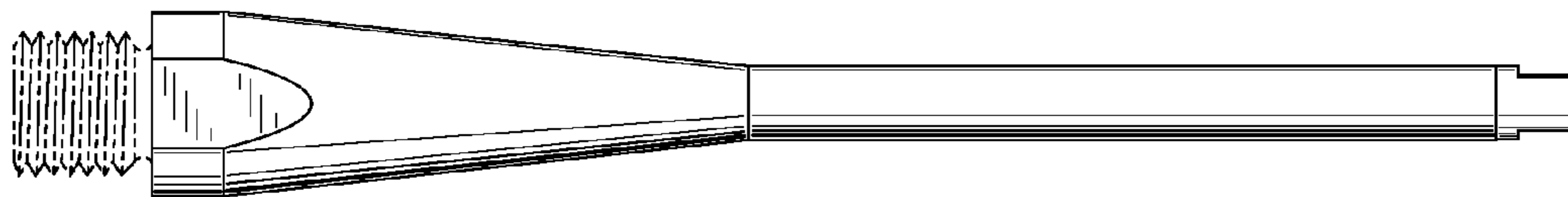


Fig. 3

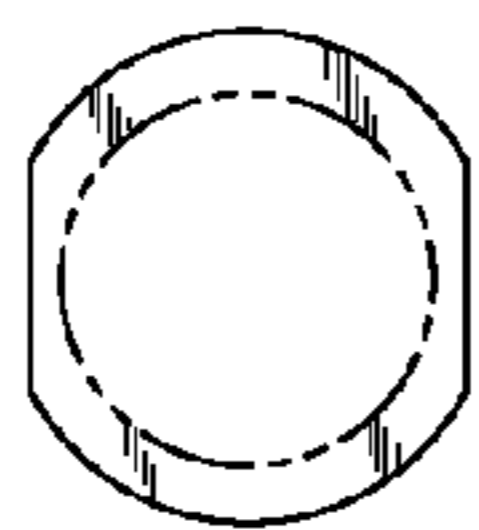


Fig. 4

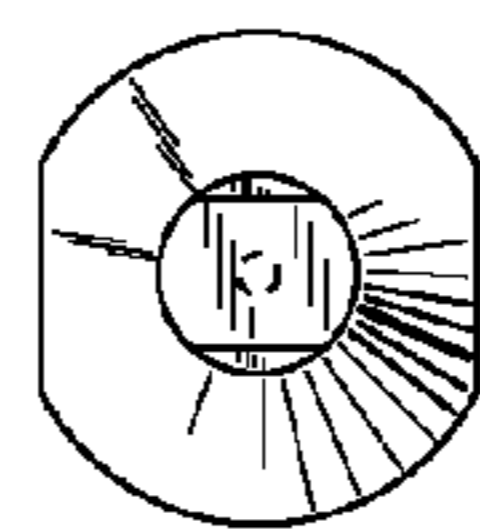


Fig. 5