



US00D638907S

(12) **United States Design Patent**
Mack

(10) **Patent No.:** **US D638,907 S**

(45) **Date of Patent:** **** May 31, 2011**

(54) **PROPANE TANK TRANSPORT STABILIZER**

(76) Inventor: **Brian Mack**, Amherst, NH (US)

(**) Term: **14 Years**

(21) Appl. No.: **29/370,585**

(22) Filed: **Aug. 9, 2010**

(51) **LOC (9) Cl.** **23-01**

(52) **U.S. Cl.** **D23/206**

(58) **Field of Classification Search** D23/206;
220/630; 211/71.01; 248/346.01, 346.03,
248/346.05

See application file for complete search history.

(56) **References Cited**

U.S. PATENT DOCUMENTS

4,486,044 A * 12/1984 Gordon et al. 294/31.2
D353,185 S * 12/1994 Mitchell D23/206

D389,896 S * 1/1998 Salvucci, Sr. D23/206
D523,518 S * 6/2006 Moldenhauer D23/206
D523,922 S * 6/2006 Brubacher et al. D23/206

* cited by examiner

Primary Examiner — Robin V Webster

(74) *Attorney, Agent, or Firm* — Gary E. Lambert; David Connaughton

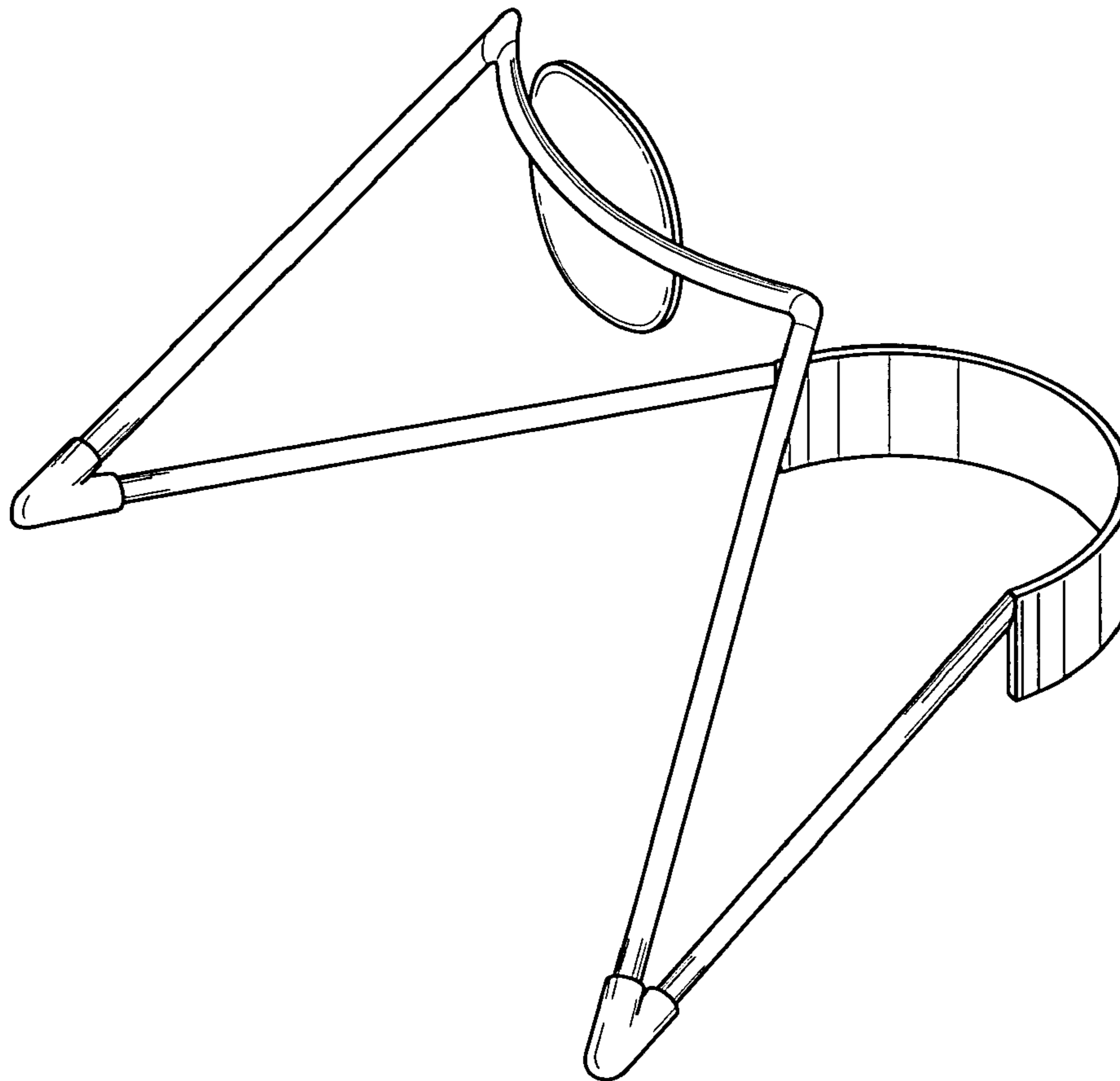
(57) **CLAIM**

The ornamental design for a propane tank transport stabilizer, as shown and described.

DESCRIPTION

FIG. 1 is a perspective view of a propane tank transport stabilizer, which embodies my design;
FIG. 2 is a left side view thereof;
FIG. 3 is a rear view thereof;
FIG. 4 is a front view thereof;
FIG. 5 is a top plan view thereof; and,
FIG. 6 is a bottom plan view thereof.

1 Claim, 3 Drawing Sheets



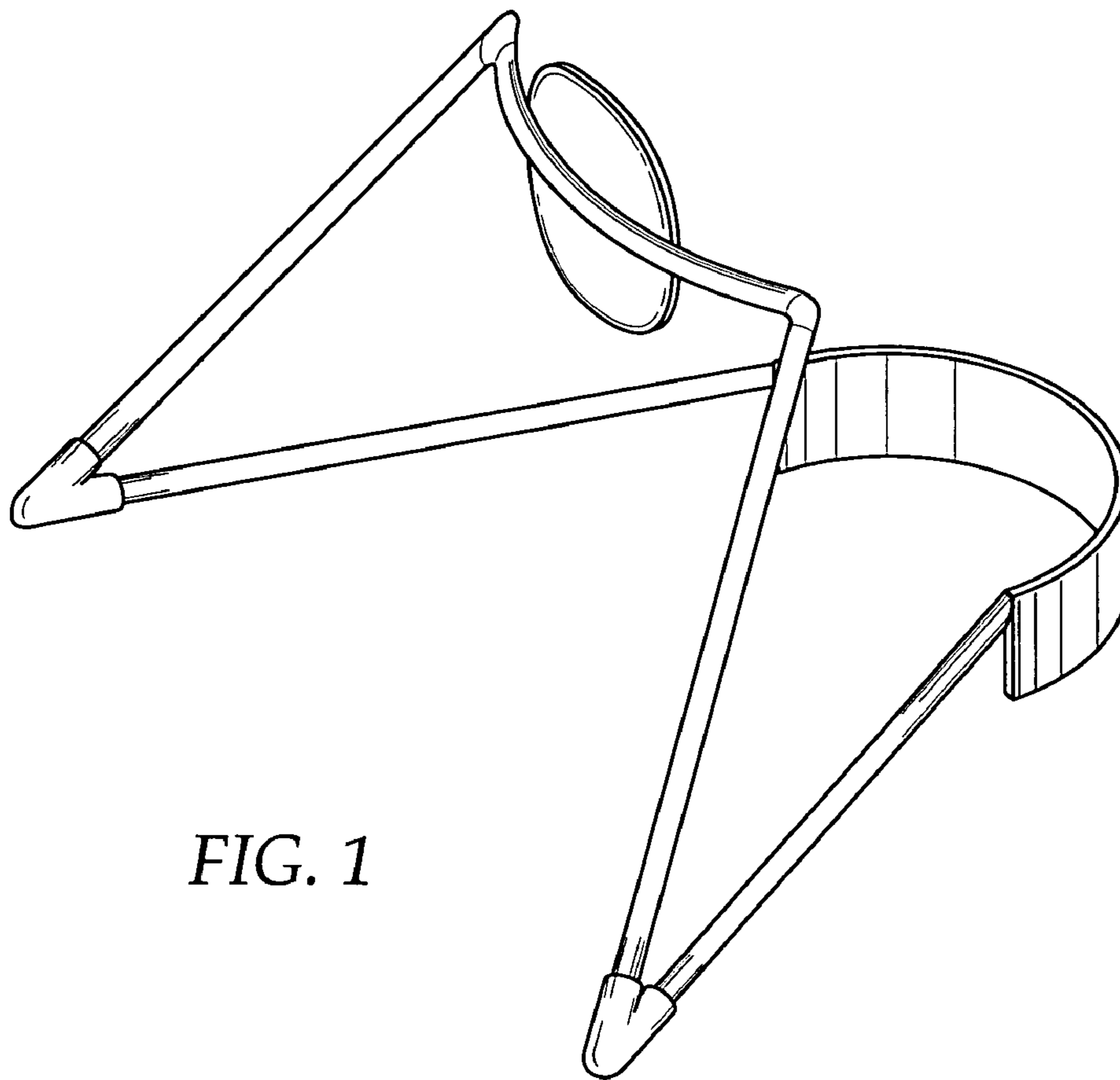


FIG. 1

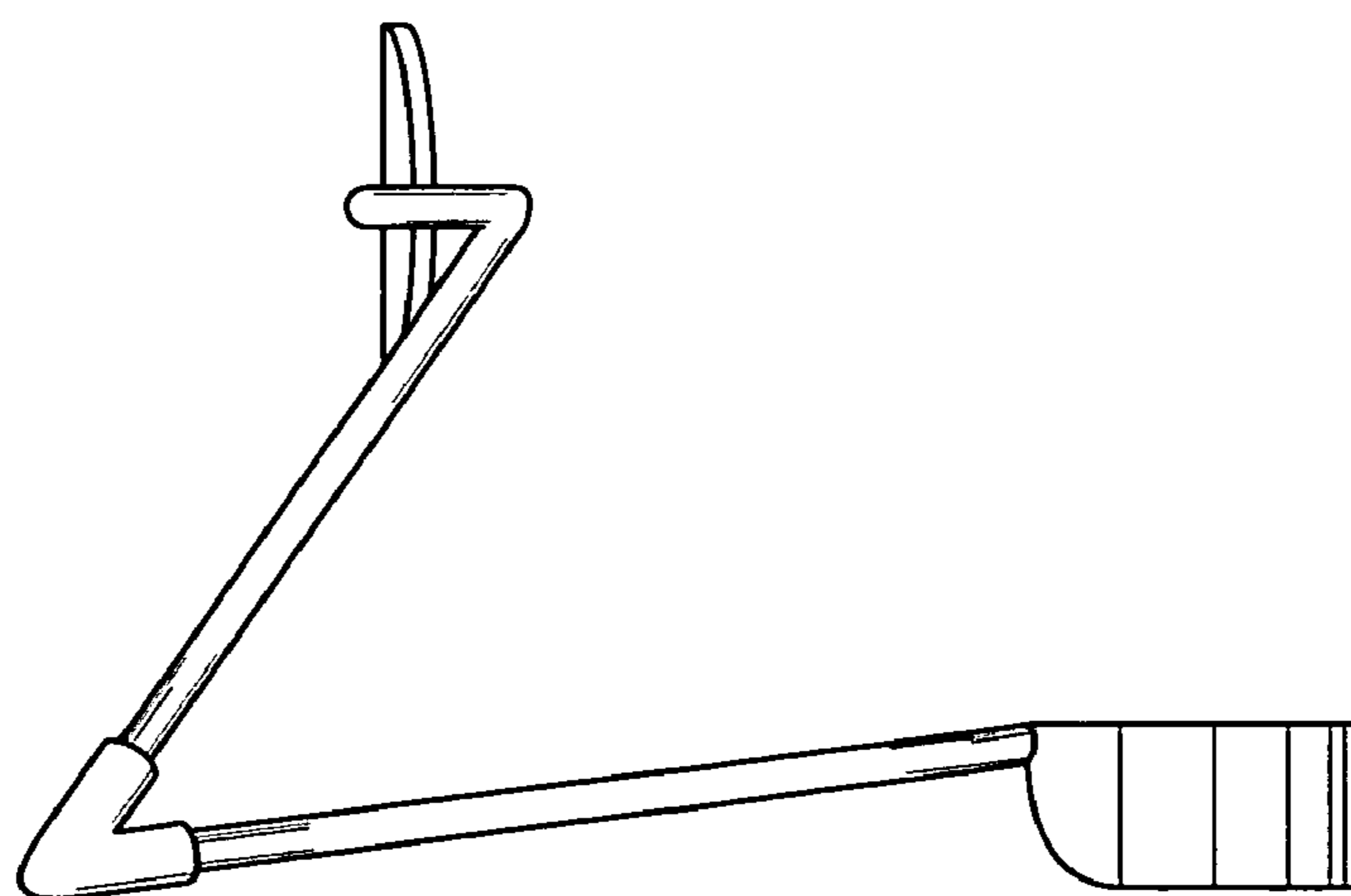


FIG. 2

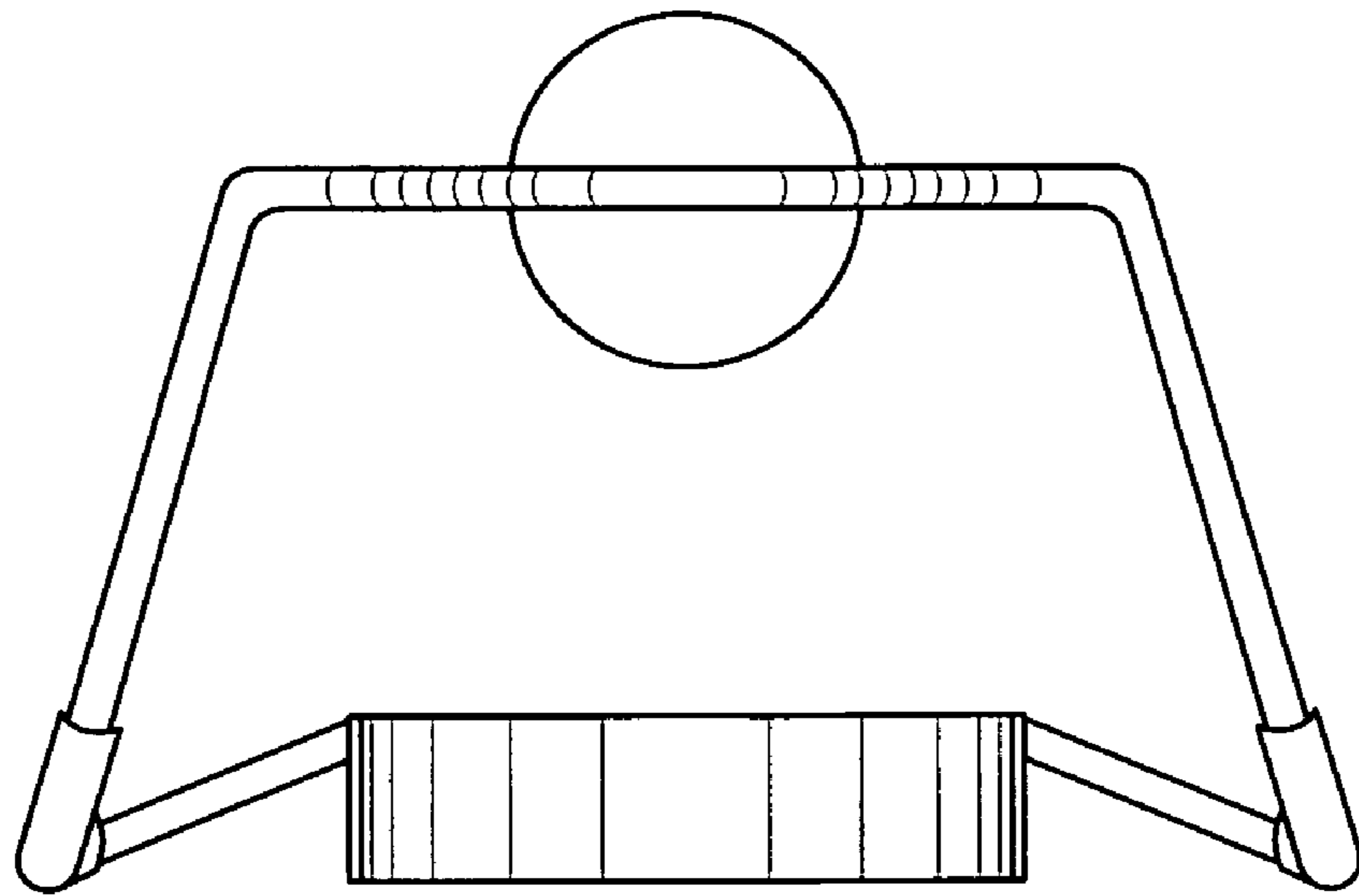


FIG. 3

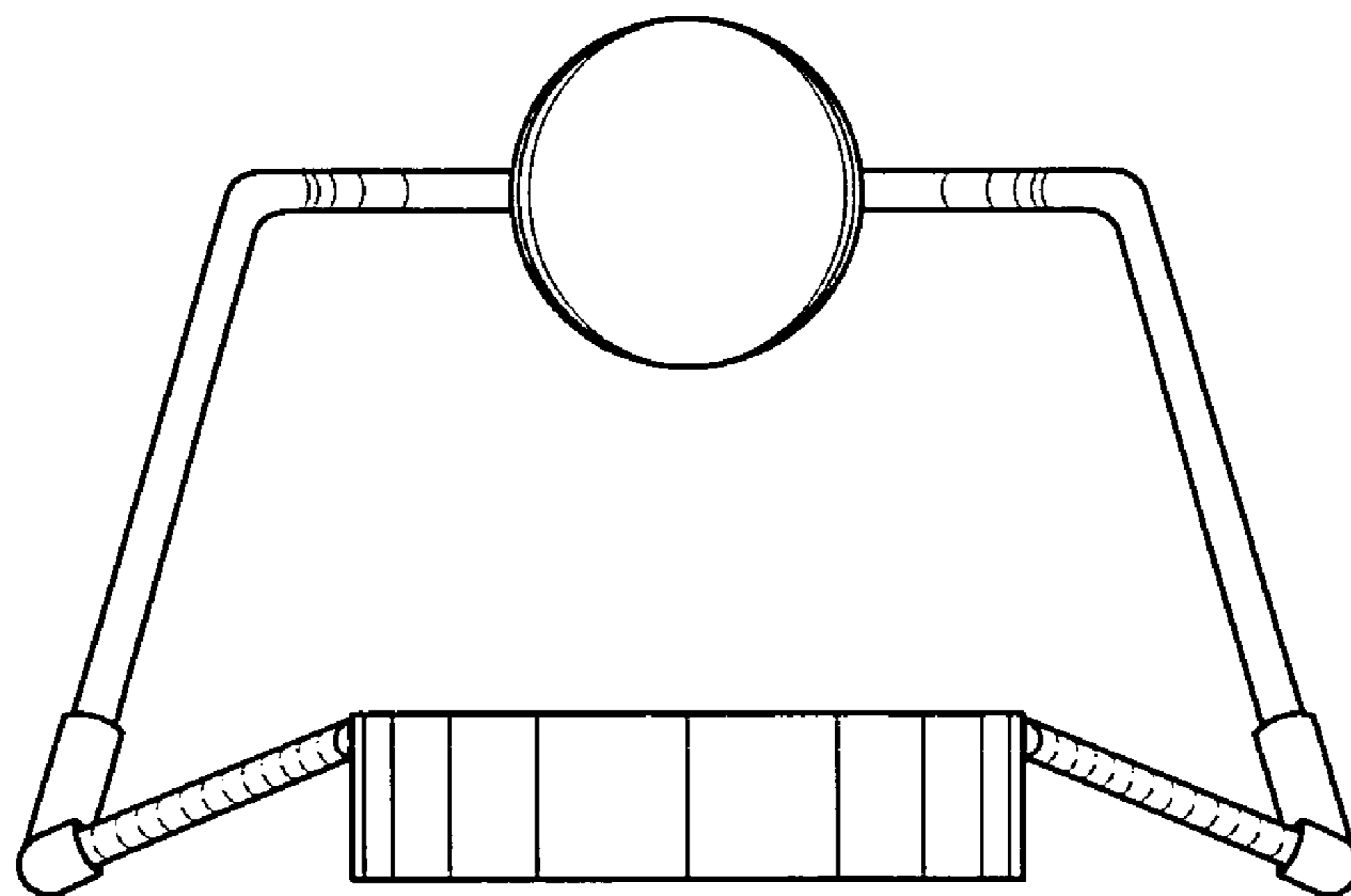


FIG. 4

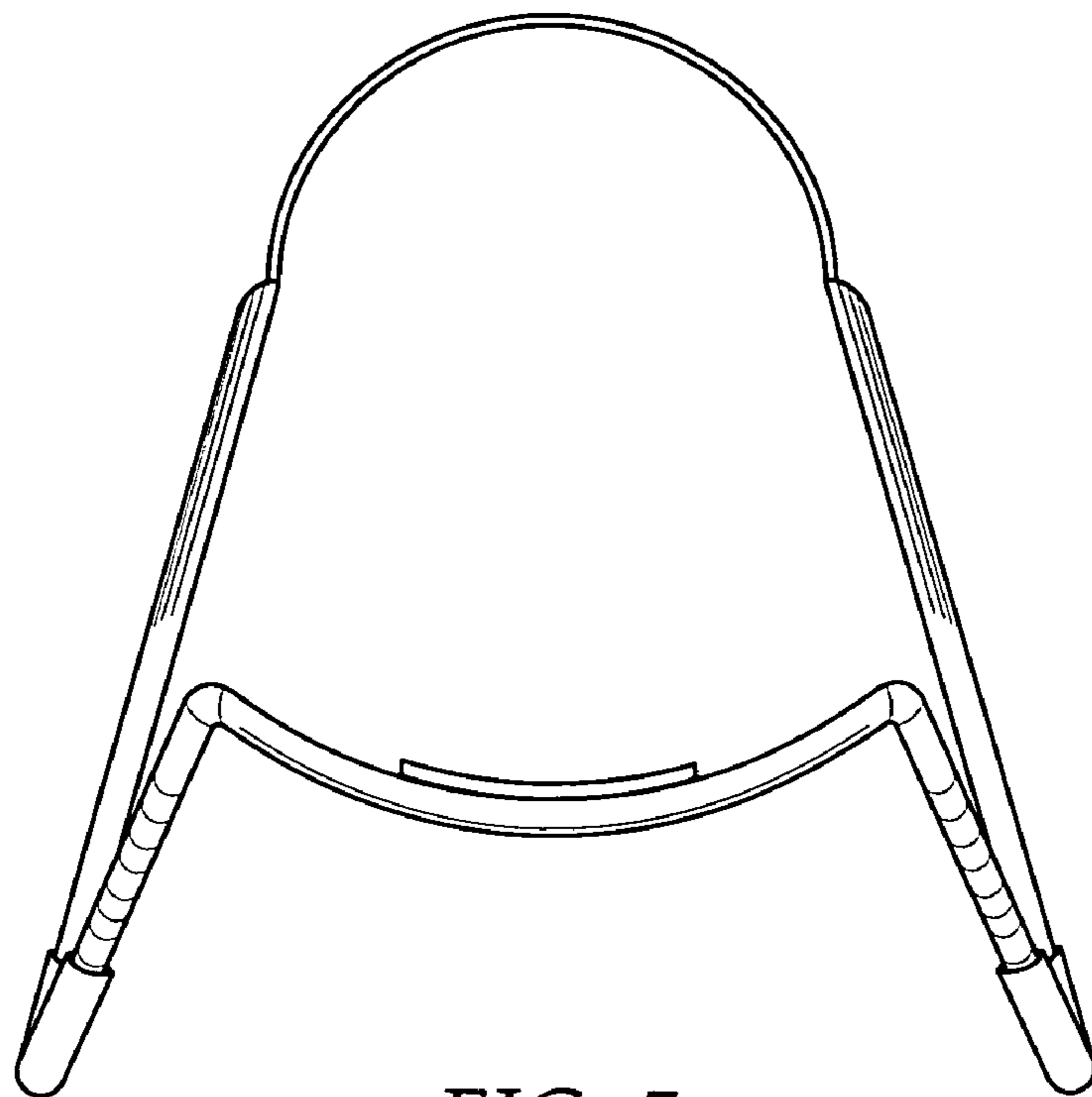


FIG. 5

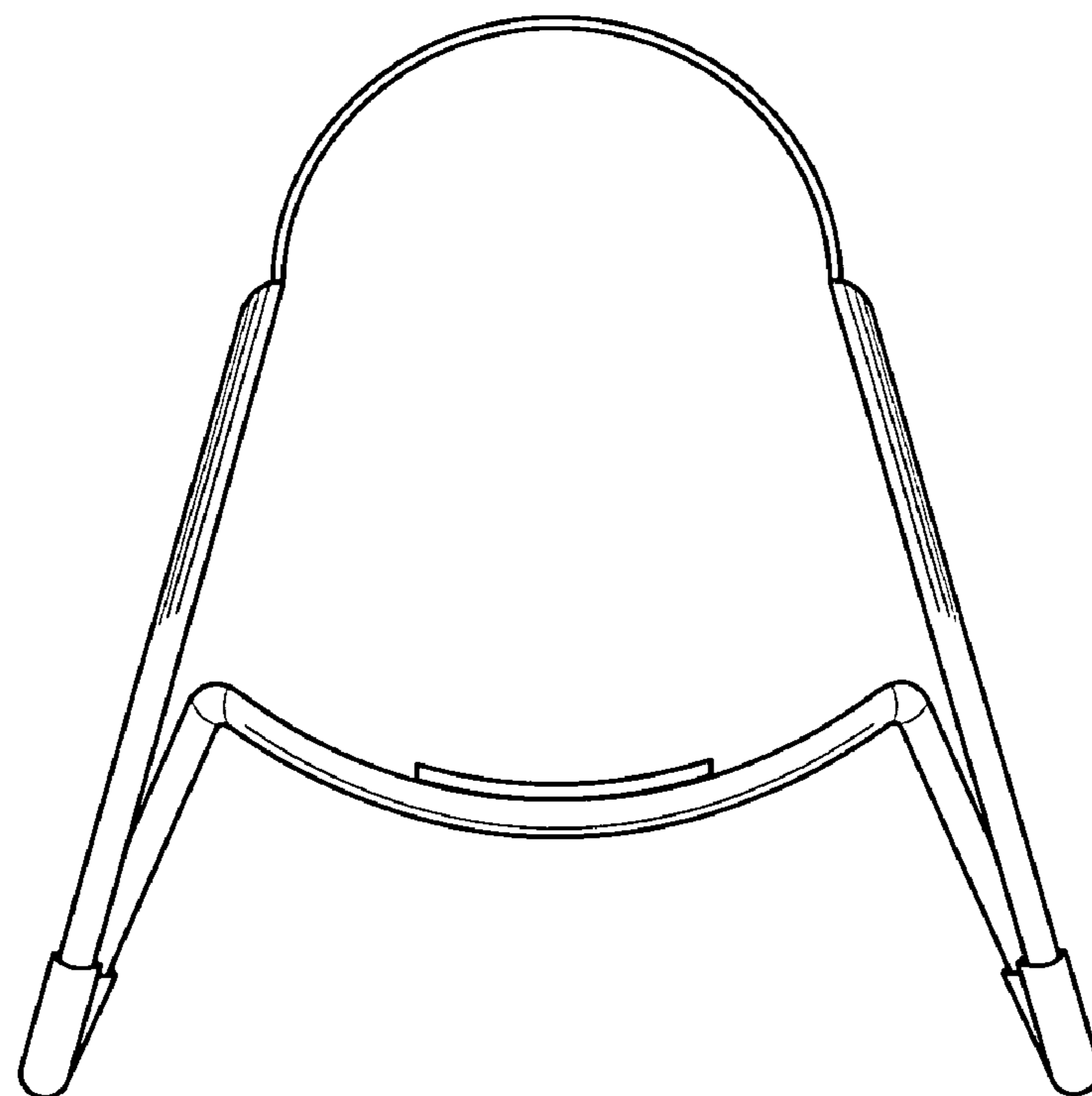


FIG. 6