



US00D638905S

(12) **United States Design Patent**
Omura

(10) **Patent No.:** **US D638,905 S**

(45) **Date of Patent:** **** May 31, 2011**

(54) **REEL SEAT FOR USE ON FISHING ROD**

(75) Inventor: **Kazuhito Omura**, Shizuoka (JP)

(73) Assignee: **Fuji Kogyo Co., Ltd.**, Shizuoka-shi,
Shizuoka-ken (JP)

(**) Term: **14 Years**

(21) Appl. No.: **29/371,284**

(22) Filed: **Dec. 20, 2010**

(30) **Foreign Application Priority Data**

Sep. 13, 2010 (JP) 2010-023652

(51) **LOC (9) Cl.** **22-05**

(52) **U.S. Cl.** **D22/142**

(58) **Field of Classification Search** D22/142,
D22/137-139; 43/18.1, 20-23
See application file for complete search history.

(56) **References Cited**

U.S. PATENT DOCUMENTS

D311,946 S	*	11/1990	Ohmura	D22/142
D613,366 S	*	4/2010	Lin	D22/142
D634,392 S	*	3/2011	Omura	D22/142

FOREIGN PATENT DOCUMENTS

JP	747291	7/1988
JP	752736	10/1988
JP	752736-1	10/1988
JP	752736-2	10/1988
JP	752736-3	12/1988
JP	768848	5/1989
JP	1096088	11/2000

OTHER PUBLICATIONS

Pacific Bay website, Summer 2010.

* cited by examiner

Primary Examiner — Catheri Oliver

(74) *Attorney, Agent, or Firm* — Bacon & Thomas, PLLC

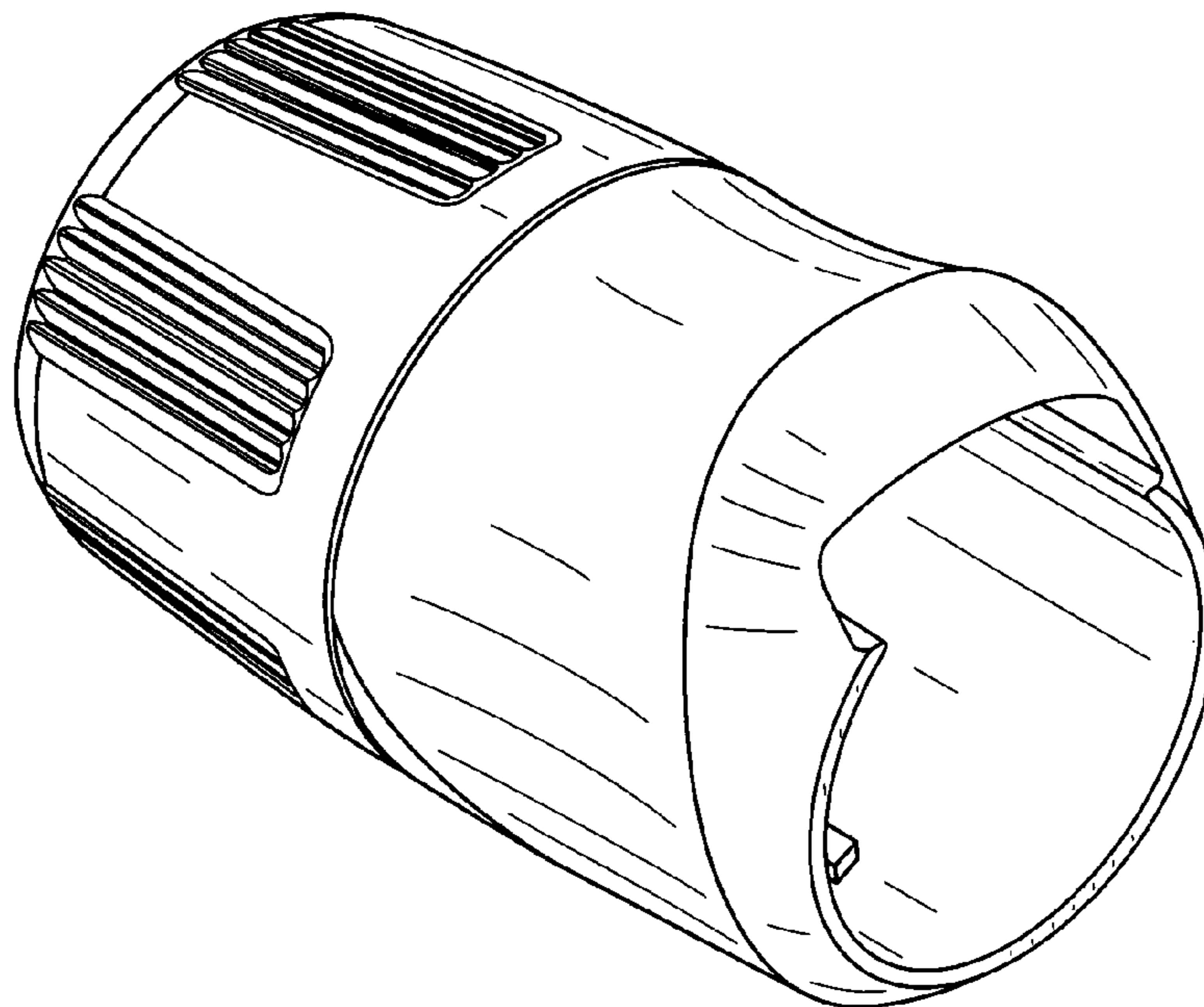
(57) **CLAIM**

The ornamental design for a reel seat for use on fishing rod, as shown and described.

DESCRIPTION

FIG. 1 is a perspective view of a reel seat for use on fishing rod embodying my new design;
 FIG. 2 is a front view thereof, the rear view being a mirror image thereof;
 FIG. 3 is a top plan view thereof;
 FIG. 4 is a bottom view thereof;
 FIG. 5 is a left side view thereof;
 FIG. 6 is a right side view thereof;
 FIG. 7 is a sectional view thereof taken along the line 7—7 of FIG. 3;
 FIG. 8 is a referential view showing use state thereof. The broken line showing of part of a fishing rod is for illustrative purposes only and form no part of claimed design; and,
 FIG. 9 is another referential view showing use state thereof. The broken line showing of part of a fishing rod is for illustrative purposes only and form no part of claimed design.

1 Claim, 4 Drawing Sheets



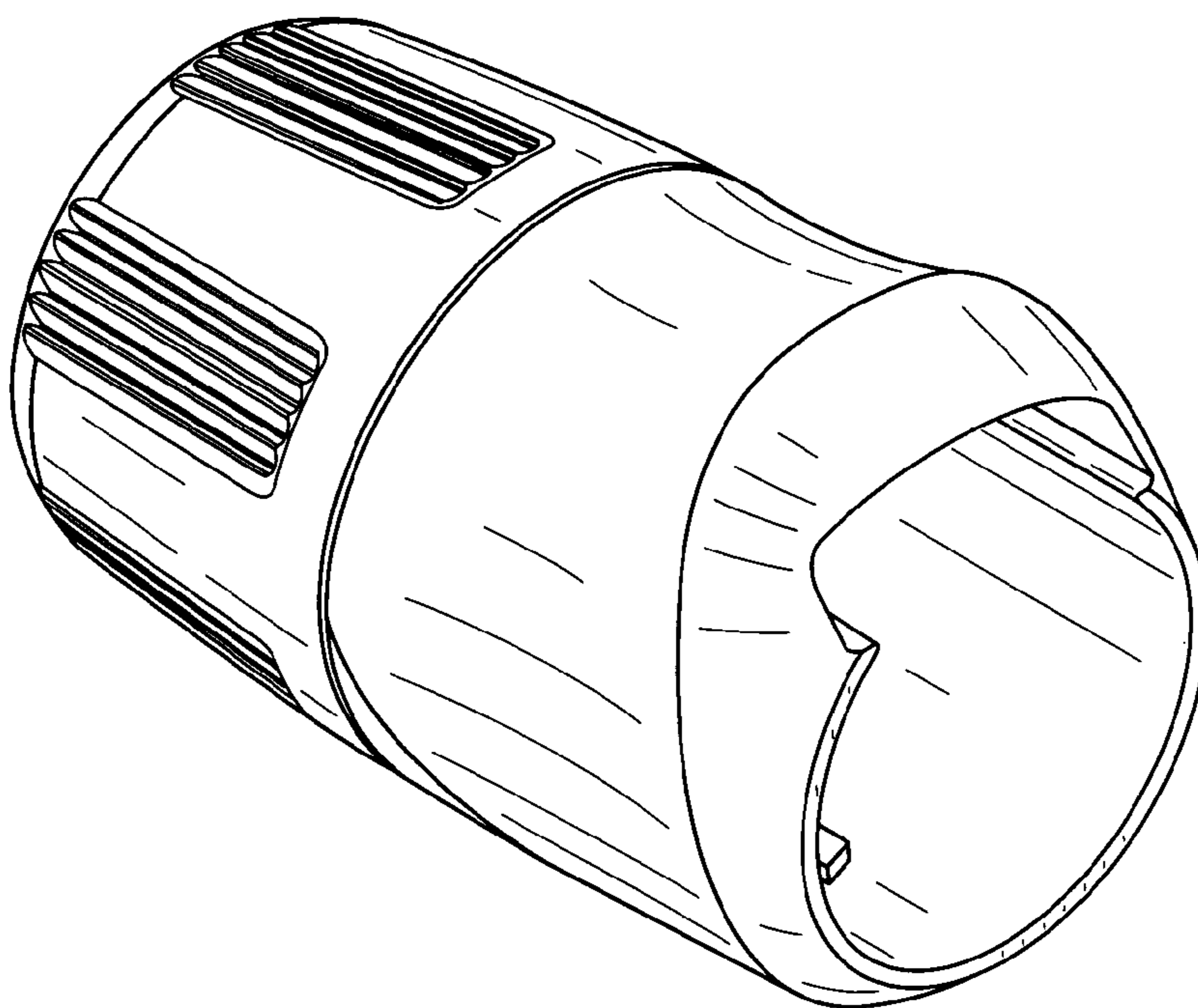


FIG. 1

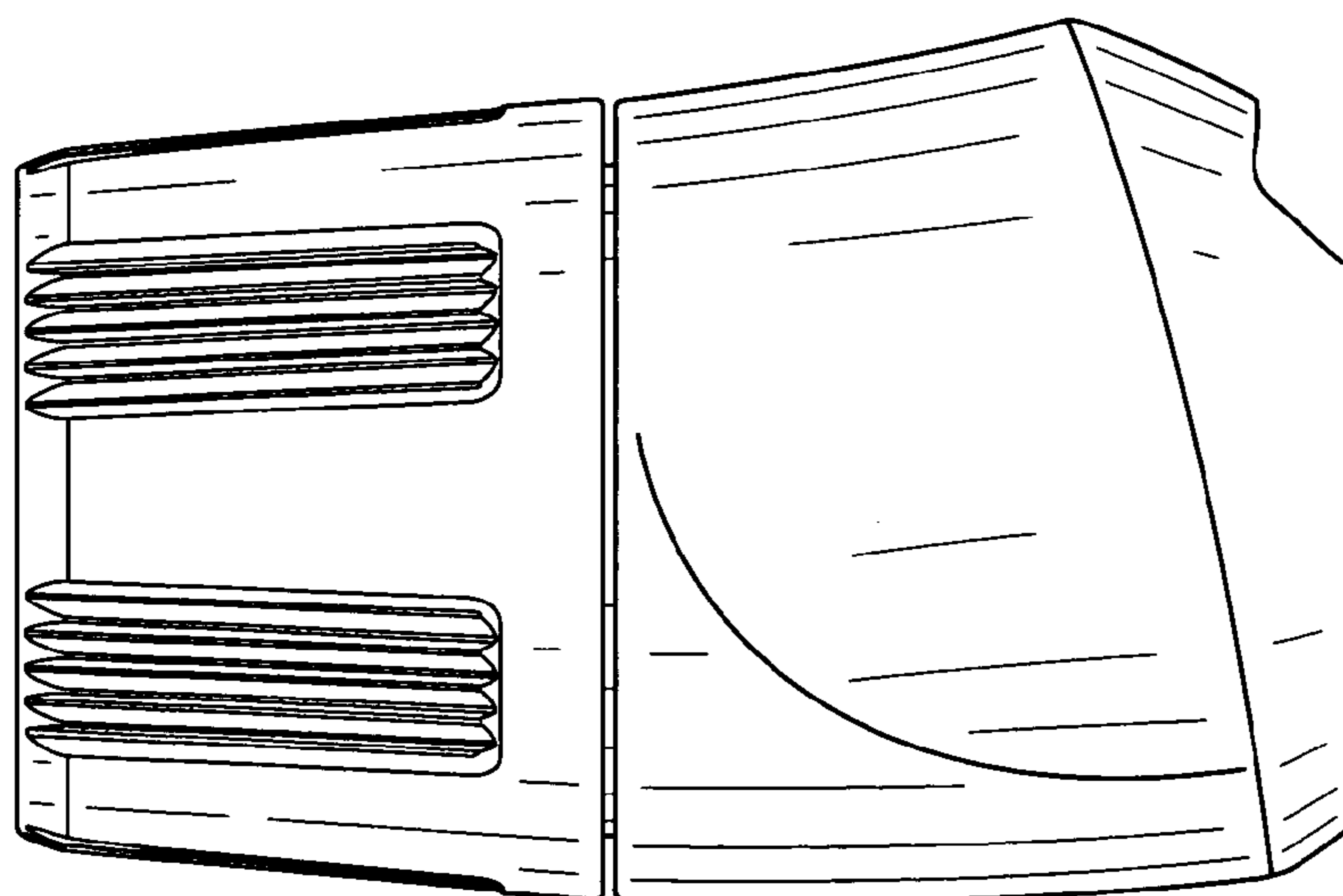


FIG. 2

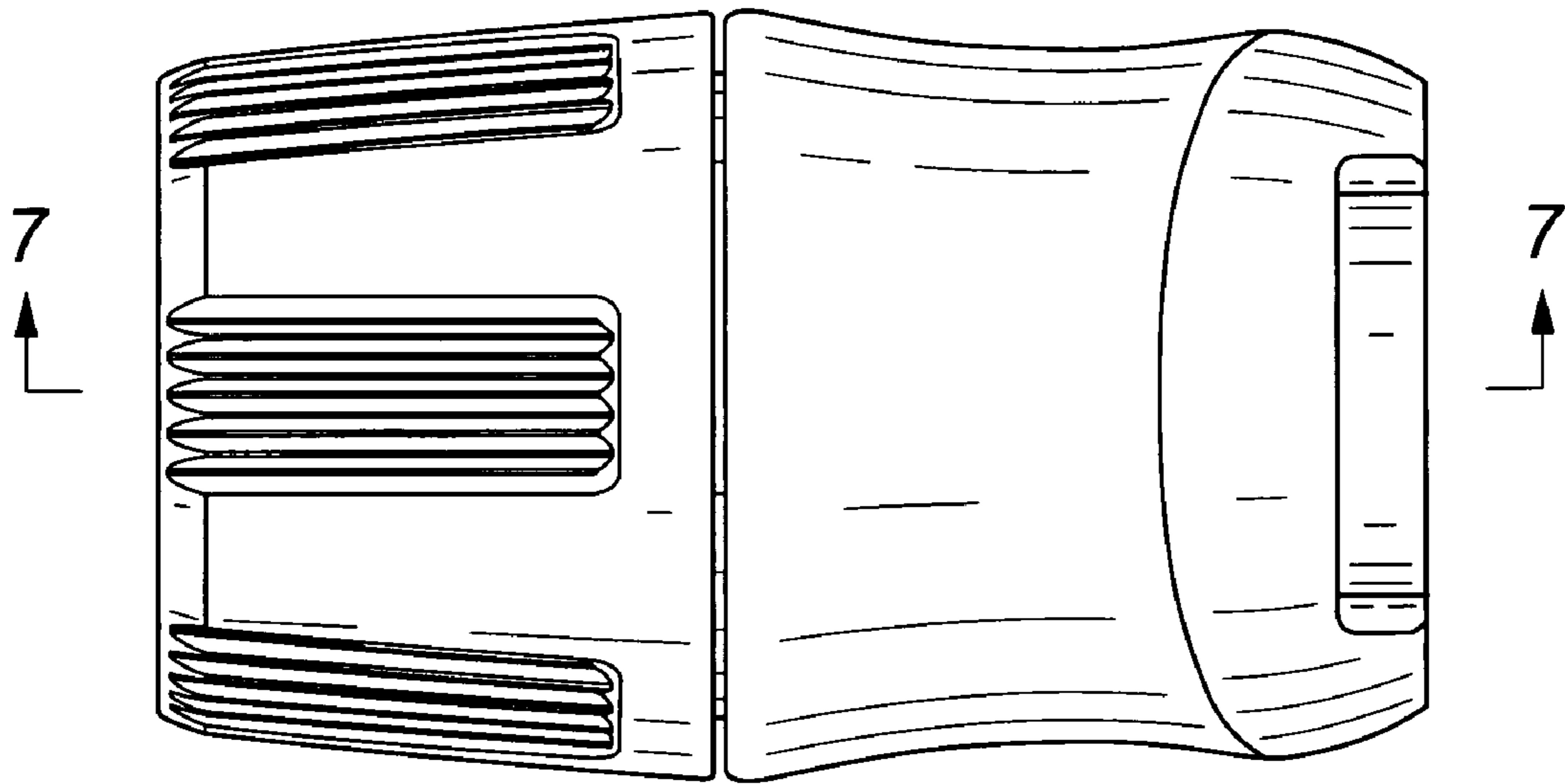


FIG. 3

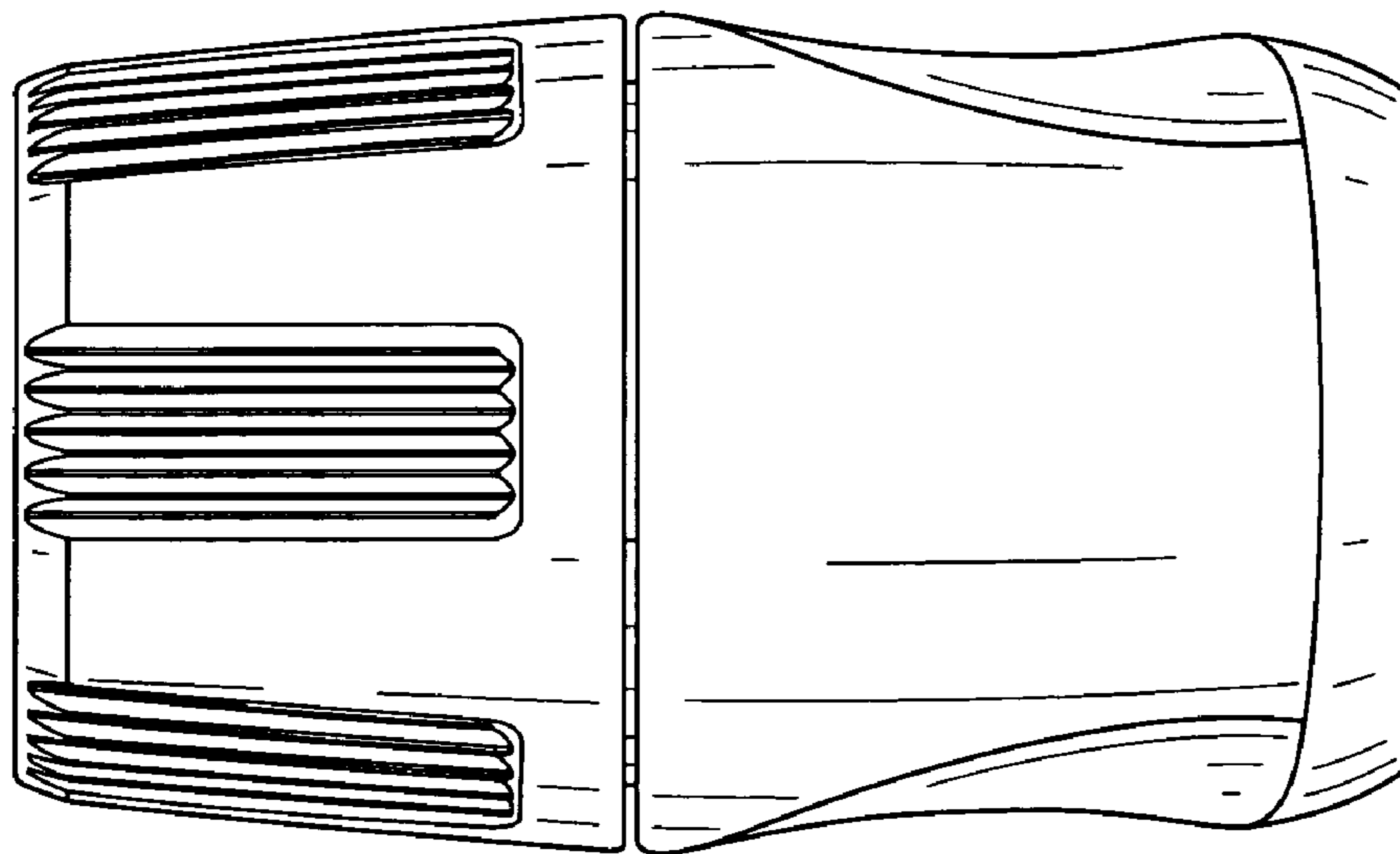


FIG. 4

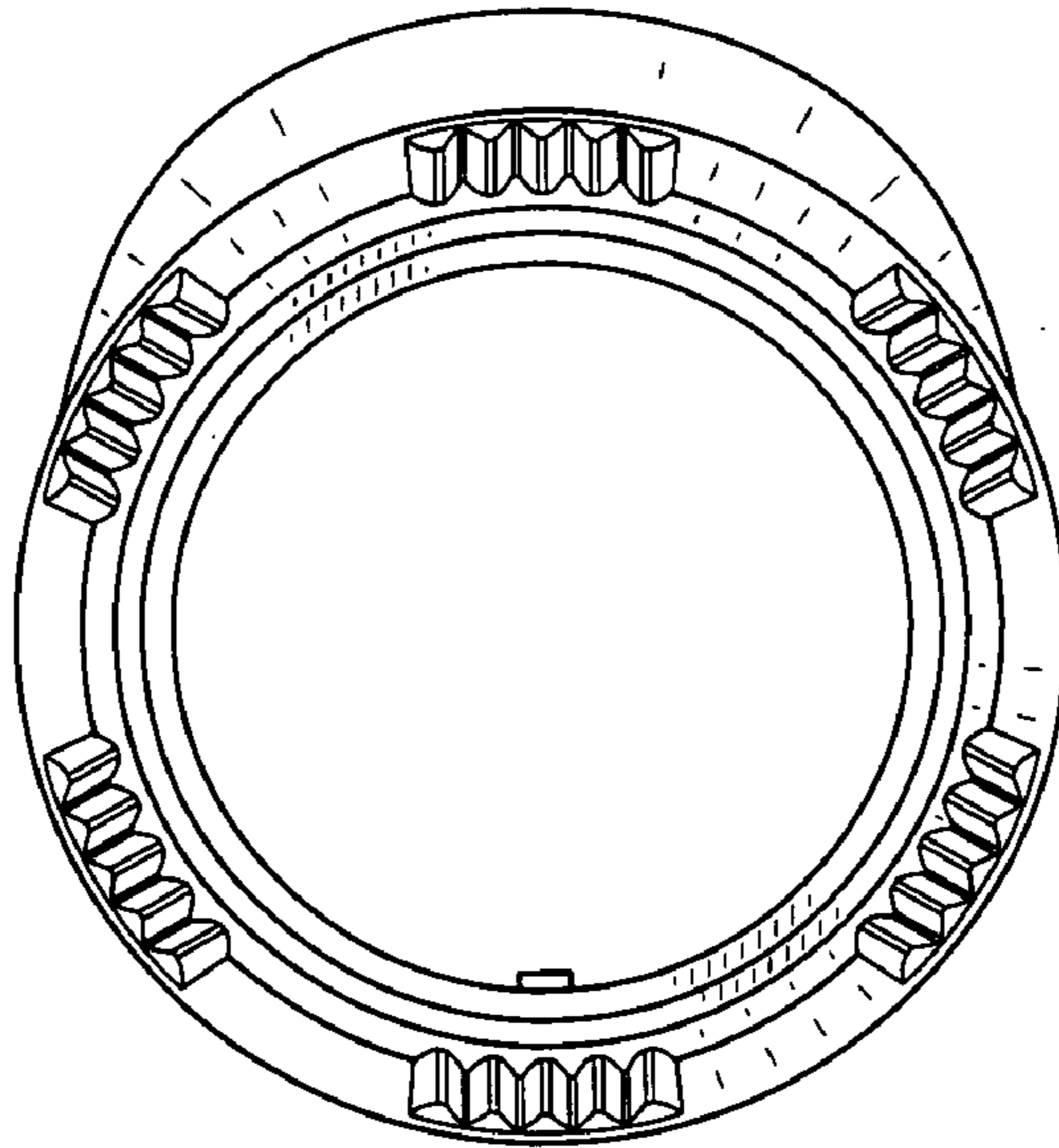


FIG. 5

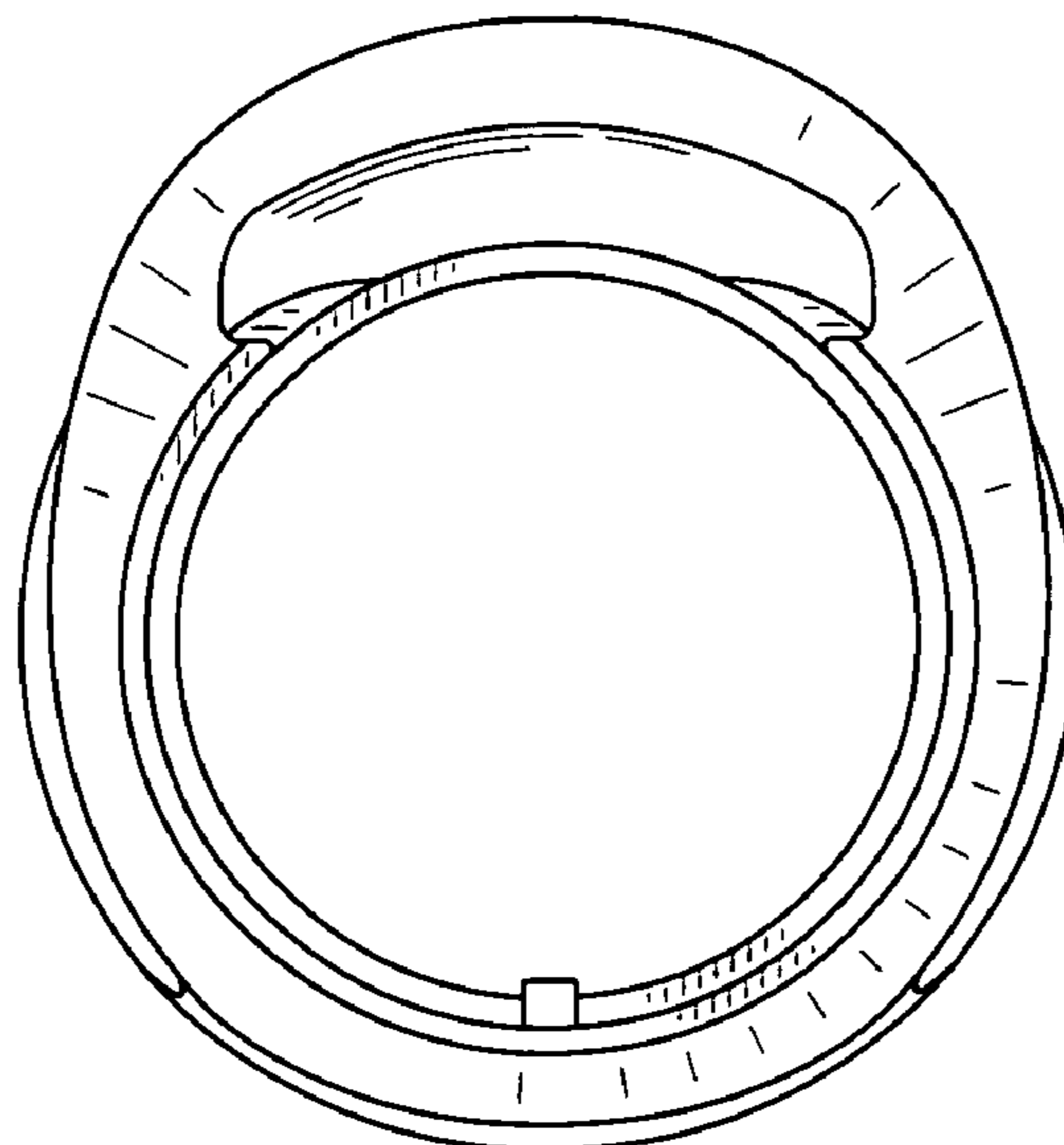


FIG. 6

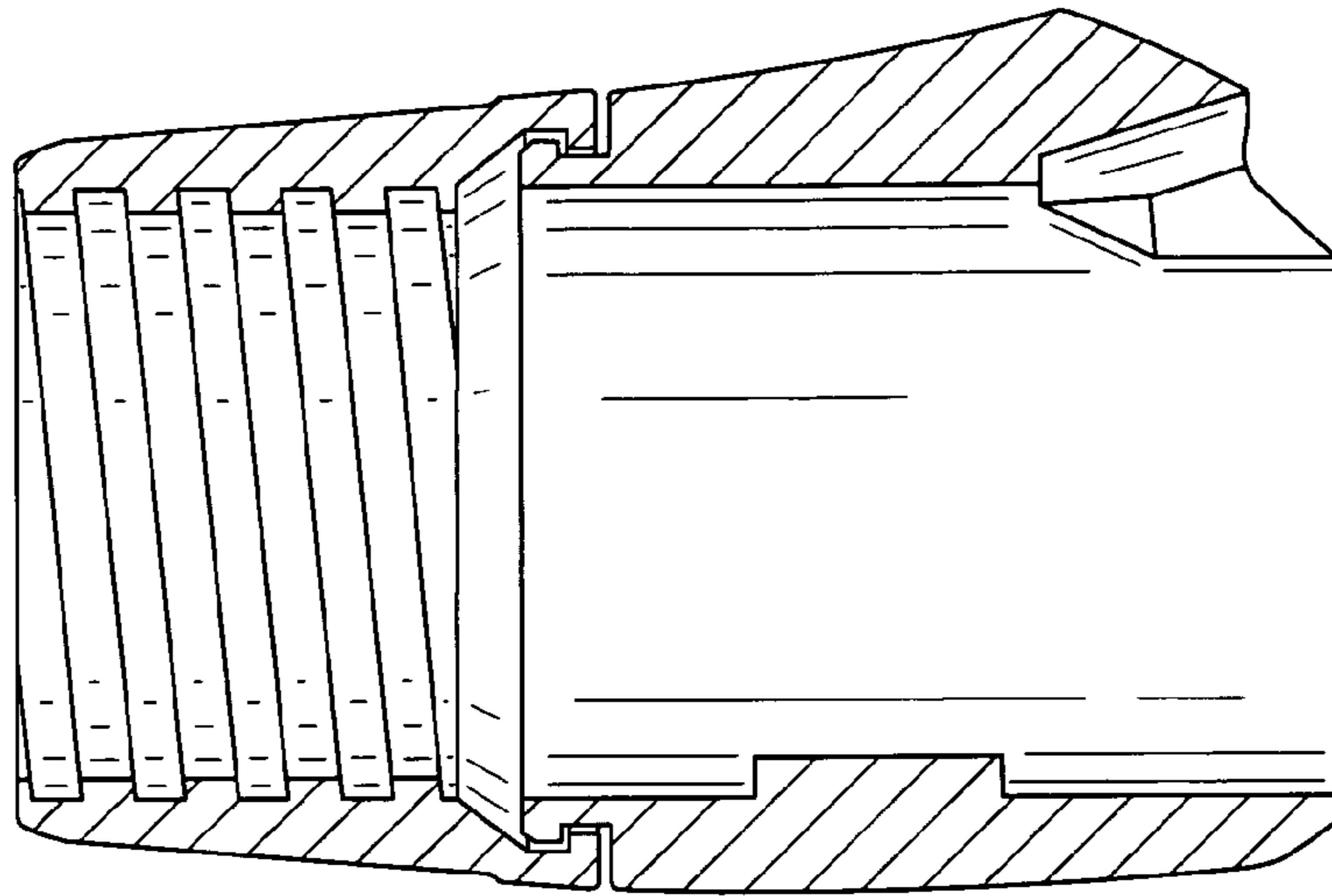


FIG. 7



FIG. 8

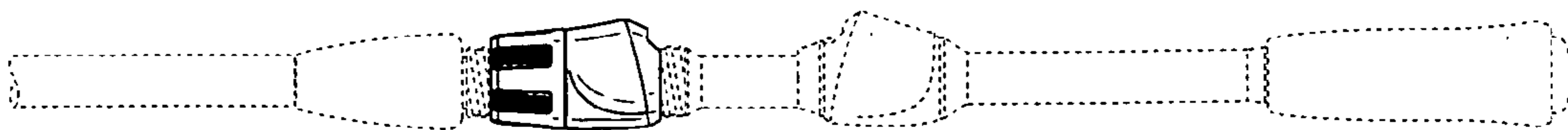


FIG. 9