



US00D638901S

(12) **United States Design Patent**
Wright

(10) **Patent No.:** **US D638,901 S**

(45) **Date of Patent:** **** May 31, 2011**

(54) **TRIGGER GUARD**

(76) **Inventor:** **Robert Wright**, Lyons, OR (US)

(**) **Term:** **14 Years**

(21) **Appl. No.:** **29/355,920**

(22) **Filed:** **Feb. 17, 2010**

(51) **LOC (9) Cl.** **22-01**

(52) **U.S. Cl.** **D22/108**

(58) **Field of Classification Search** D22/100,
D22/101, 103, 104, 108, 199; D21/572,
D21/573; 42/51, 71.01, 75.01, 75.02, 90,
42/94, 134, 136, 139, 125, 72, 111; 362/110;
33/241, 277; 313/105 R; 89/40.06, 41.19,
89/37.04, 33.04, 191.01, 200-204; 124/67,
124/66, 72, 74

See application file for complete search history.

(56) **References Cited**

U.S. PATENT DOCUMENTS

2,657,490 A * 11/1953 Browning 42/70.06
2,874,503 A * 2/1959 Niesp 42/70.06
3,964,200 A * 6/1976 Patterson 42/70.06

* cited by examiner

Primary Examiner — T. Chase Nelson

Assistant Examiner — Michael Pratt

(74) *Attorney, Agent, or Firm* — Dwayne E. Rogge; Hughes Law Firm, PLLC

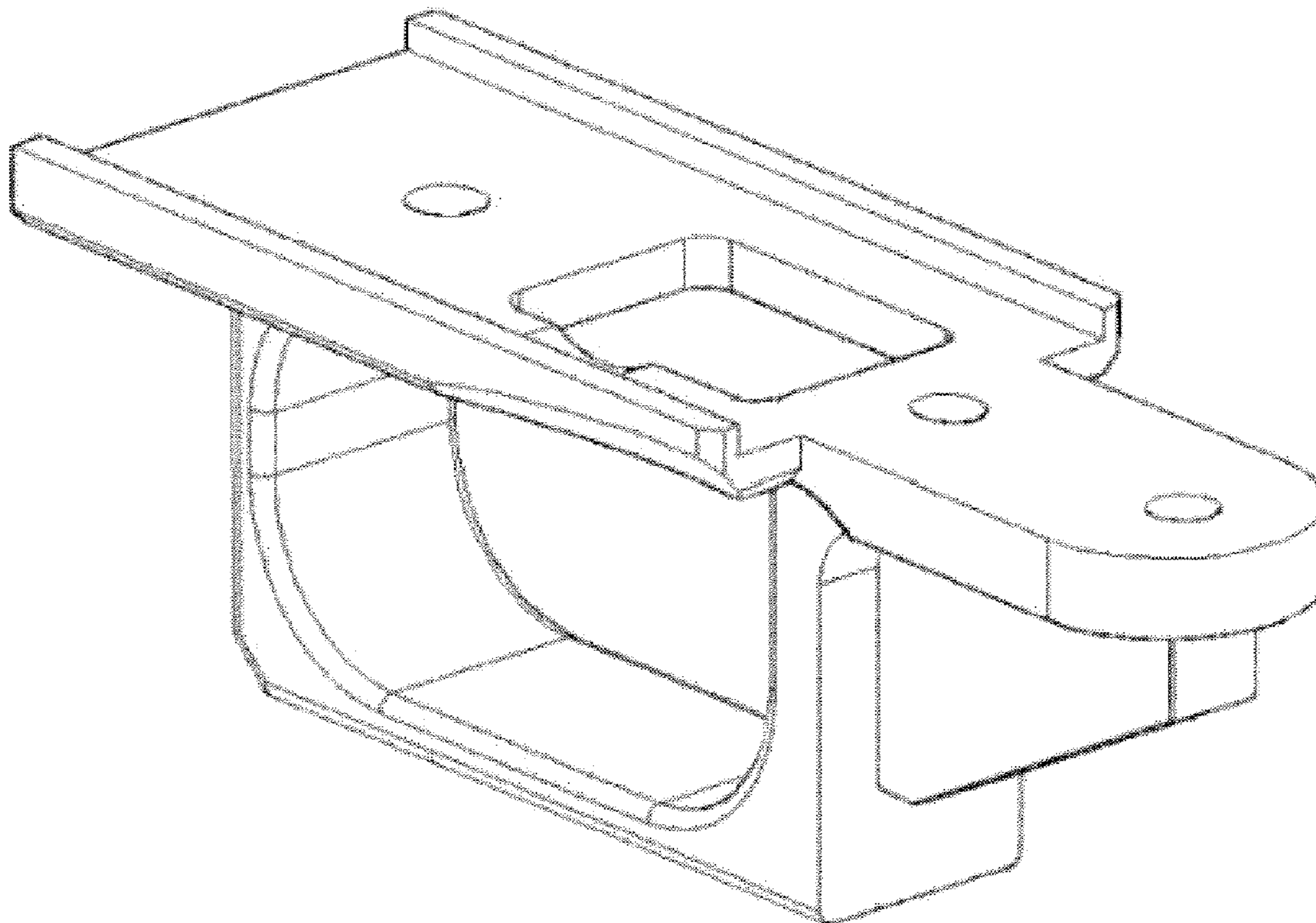
(57) **CLAIM**

The ornamental design for a trigger guard, as shown and described.

DESCRIPTION

FIG. 1 is an isometric view thereof;
FIG. 2 is a left side view thereof;
FIG. 3 is a top view thereof;
FIG. 4 is left side view thereof;
FIG. 5 is a right side view thereof;
FIG. 6 is a rear view thereof; and,
FIG. 7 is a bottom view thereof.

1 Claim, 4 Drawing Sheets



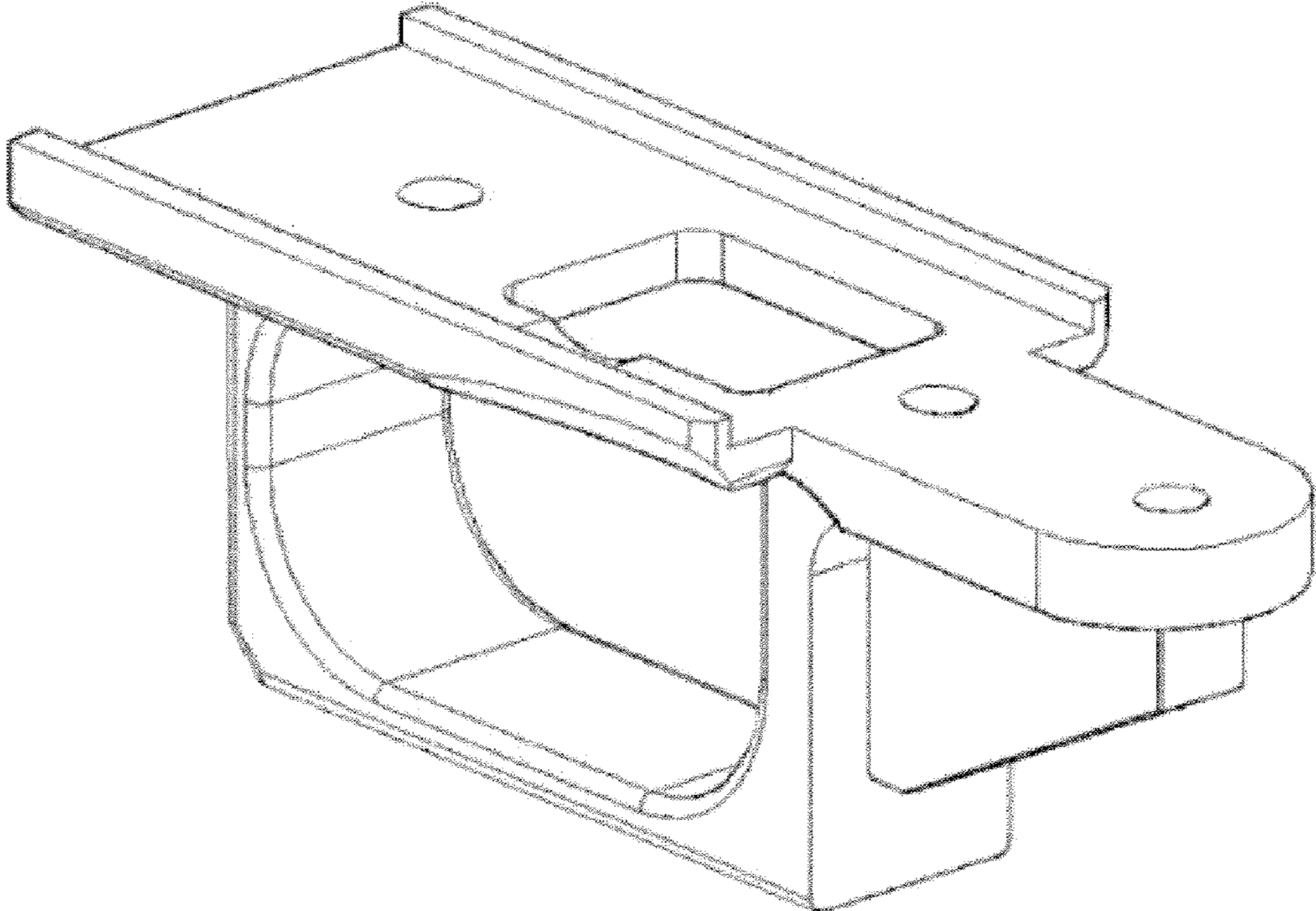


Fig. 1

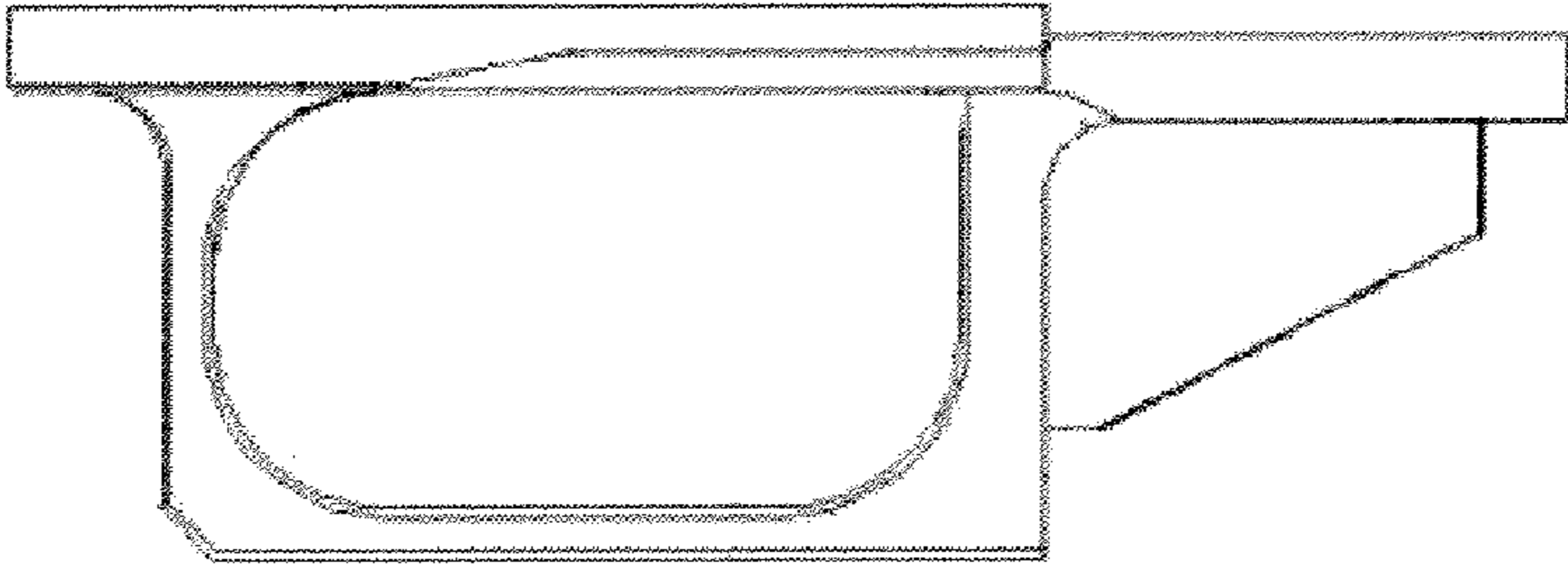


Fig. 2

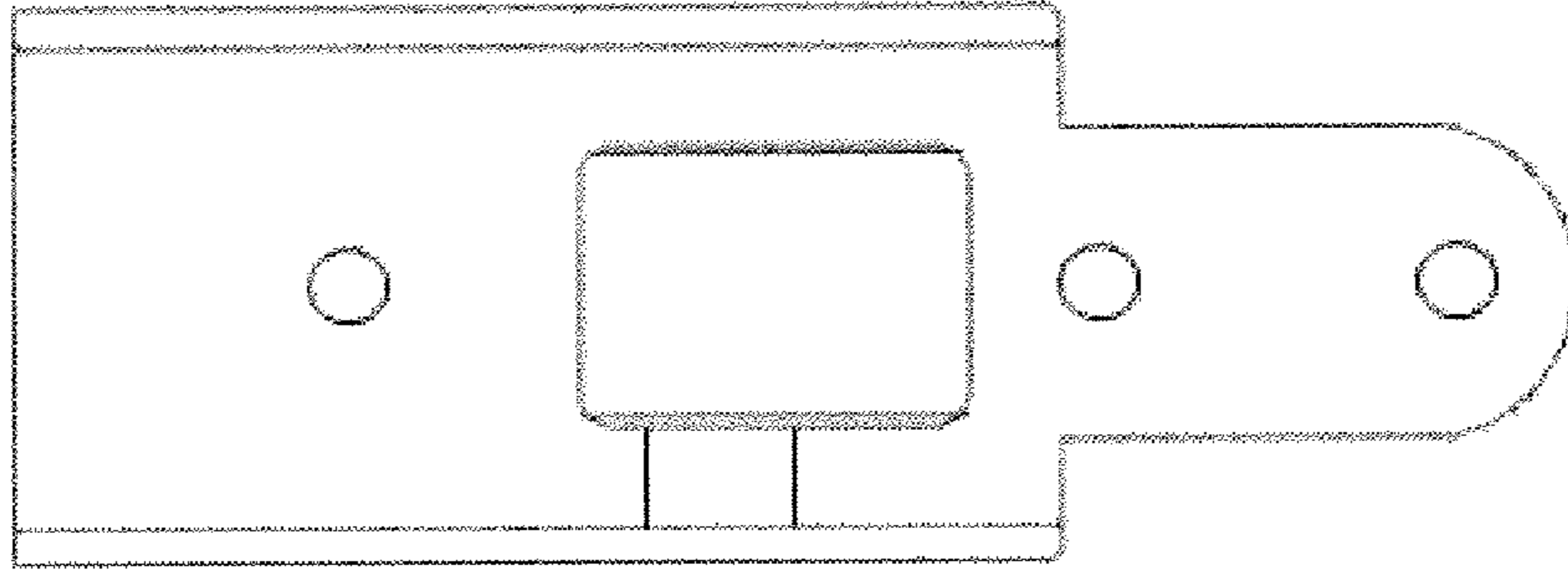


Fig. 3

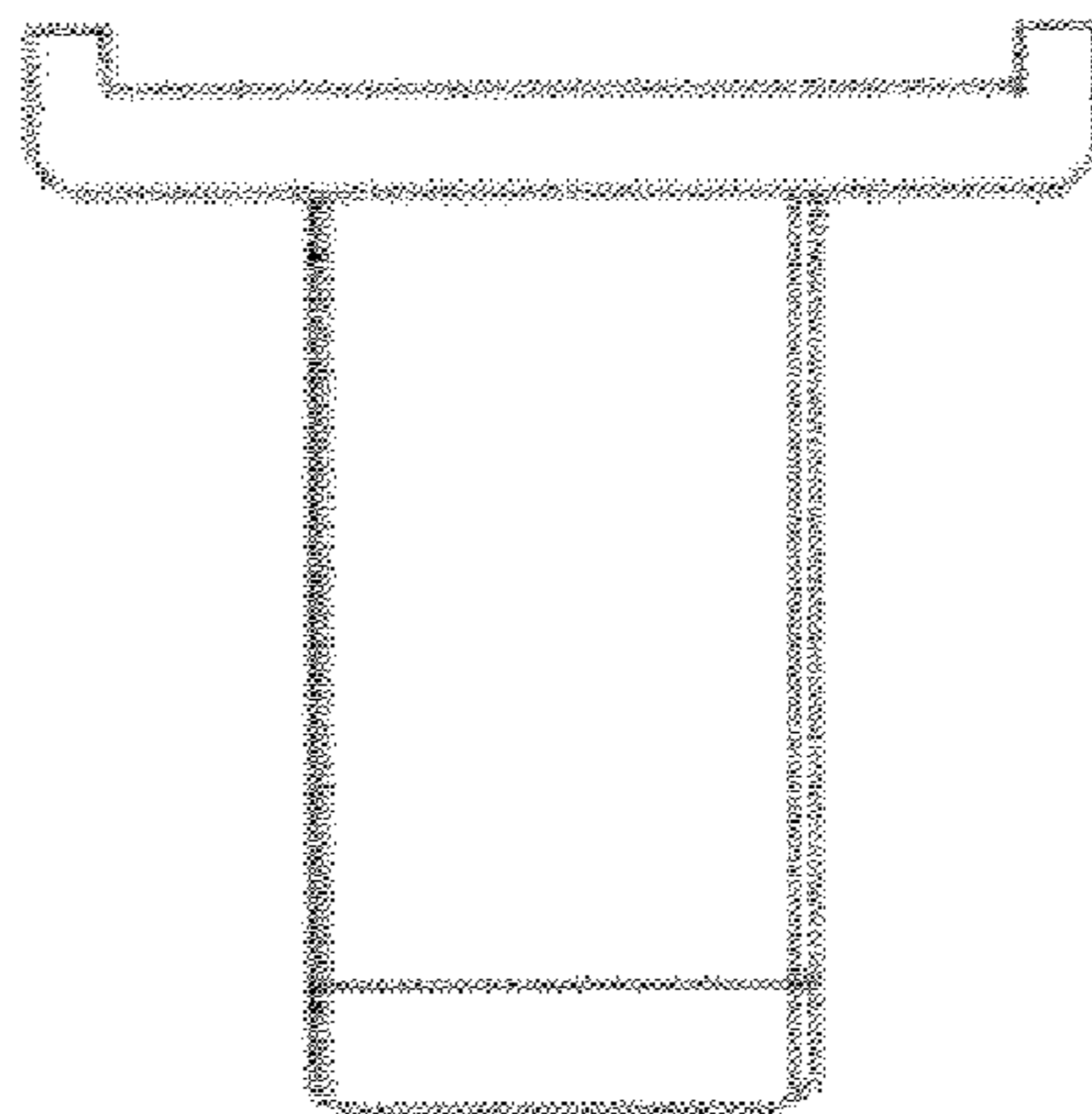


Fig. 4

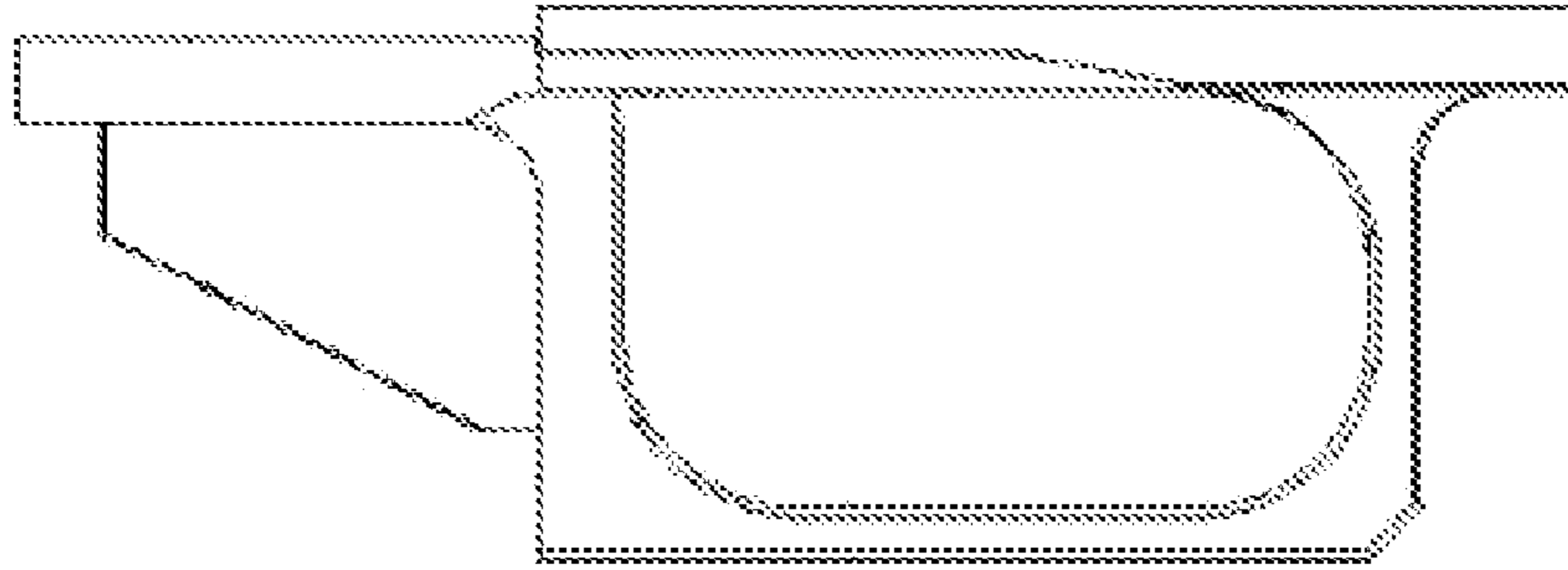


Fig. 5

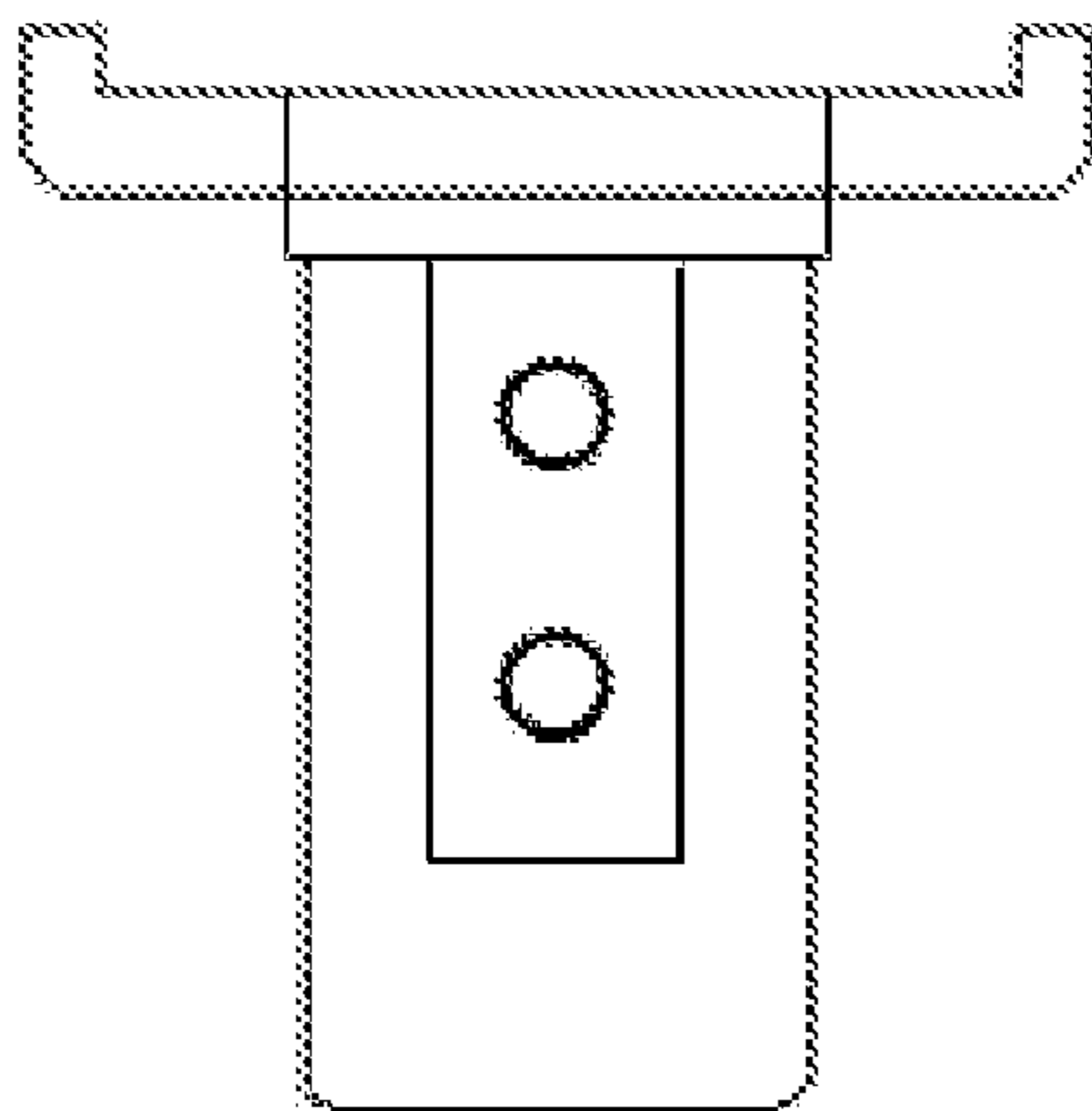


Fig. 6

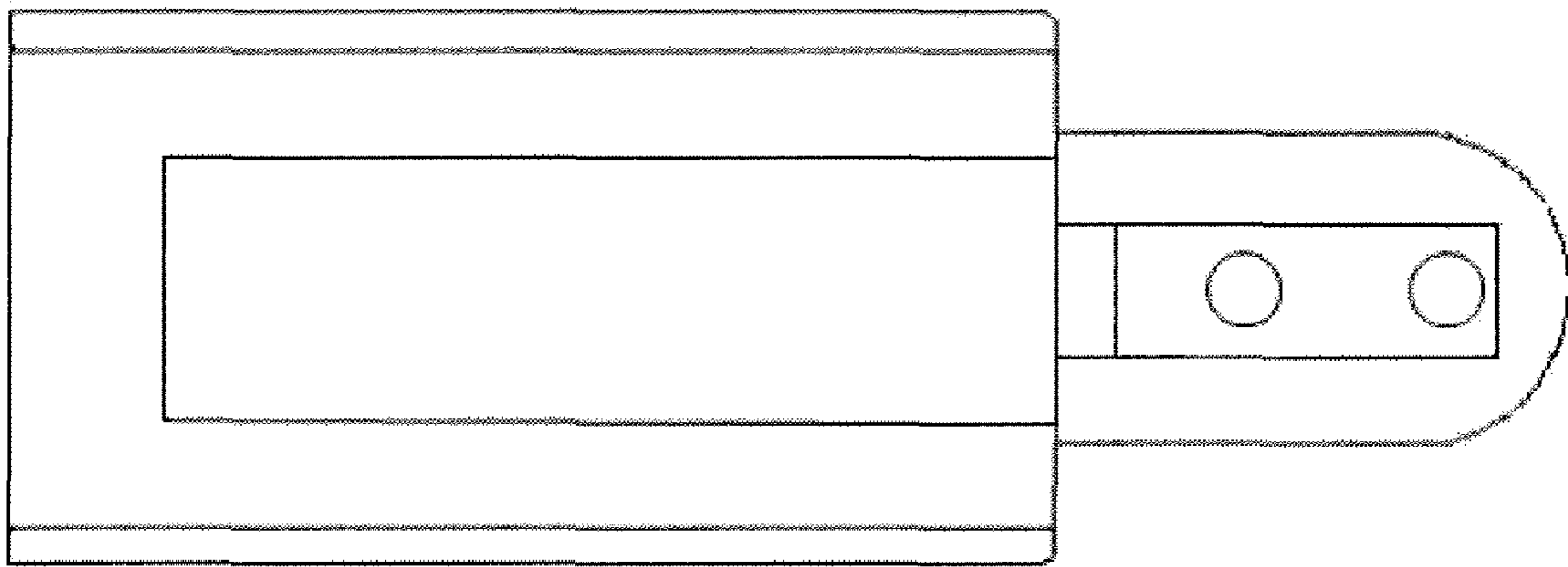


Fig. 7