



US00D638892S

(12) **United States Design Patent**
Hettinger et al.

(10) **Patent No.:** **US D638,892 S**

(45) **Date of Patent:** **** May 31, 2011**

(54) **PUTTER HEAD**

(75) Inventors: **Ronald K. Hettinger**, Oceanside, CA
(US); **Augustin W. Rollinson**, Carlsbad,
CA (US)

(73) Assignee: **Callaway Golf Company**, Carlsbad, CA
(US)

(**) Term: **14 Years**

(21) Appl. No.: **29/369,859**

(22) Filed: **Sep. 14, 2010**

(51) **LOC (9) Cl.** **21-02**

(52) **U.S. Cl.** **D21/743**

(58) **Field of Classification Search** D21/736-746;
473/324-331, 340-341, 251-256
See application file for complete search history.

(56) **References Cited**

U.S. PATENT DOCUMENTS

D207,227 S * 3/1967 Solheim D21/739
D389,207 S * 1/1998 Cameron D21/742
D426,599 S * 6/2000 Morgan et al. D21/736

D438,272 S * 2/2001 Moore D21/736
D443,906 S * 6/2001 Hettinger et al. D21/743
D485,320 S * 1/2004 Breier et al. D21/736
D498,276 S * 11/2004 Schweigert et al. D21/743
D521,580 S * 5/2006 Burrows D21/736
D535,712 S * 1/2007 Toroussian D21/749
D548,294 S * 8/2007 Nguyen et al. D21/736
D552,196 S * 10/2007 Hueber D21/742

* cited by examiner

Primary Examiner — Mitchell Siegel

(74) *Attorney, Agent, or Firm* — Michael A. Catania

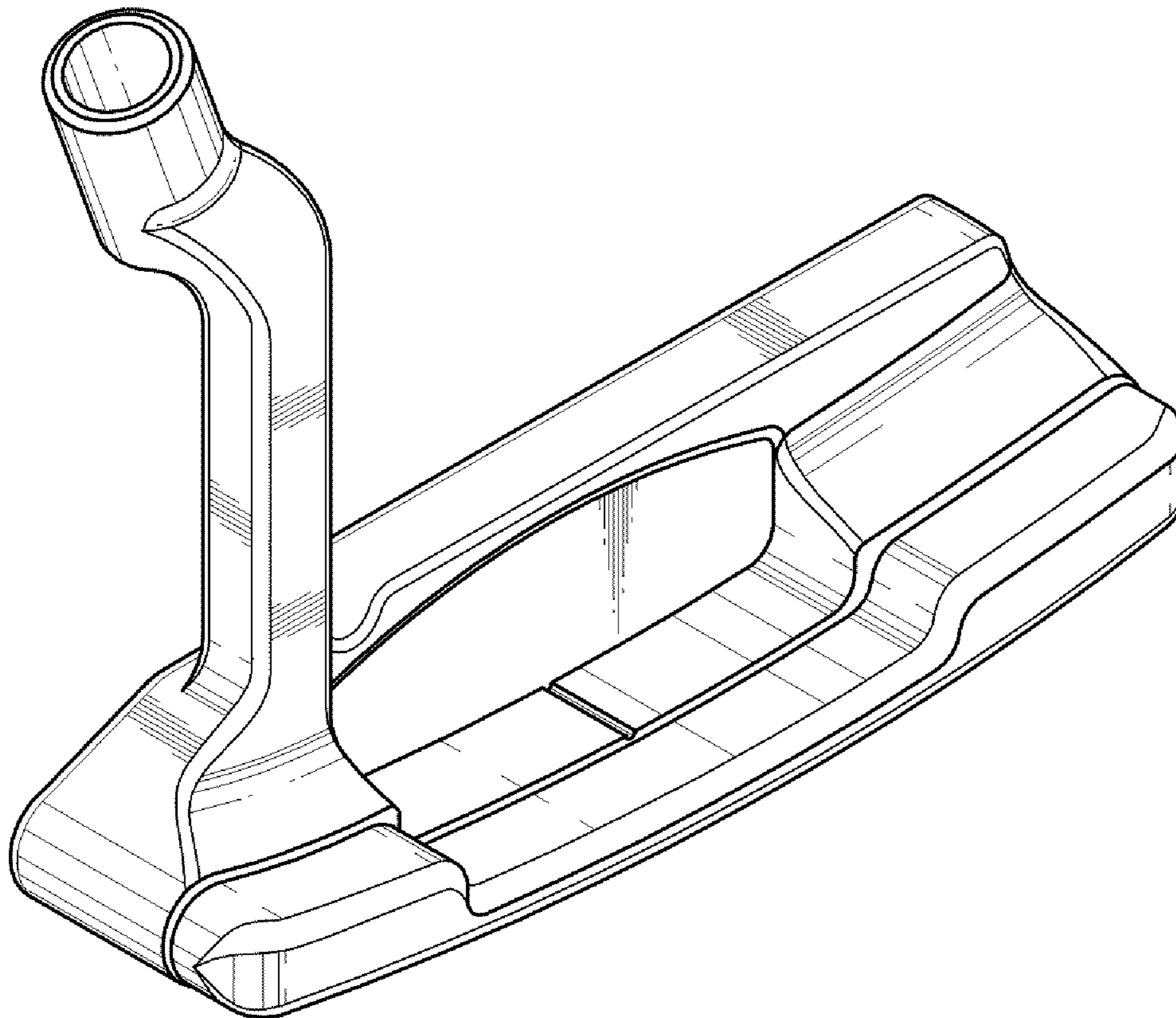
(57) **CLAIM**

The ornamental design for a putter head, as shown and described.

DESCRIPTION

FIG. 1 is a front perspective view of a putter head;
FIG. 2 is a front elevational view thereof;
FIG. 3 is a top plan view thereof;
FIG. 4 is a rear elevational view thereof;
FIG. 5 is a bottom plan view thereof;
FIG. 6 is a heel elevational view thereof; and,
FIG. 7 is a toe elevational view thereof.

1 Claim, 3 Drawing Sheets



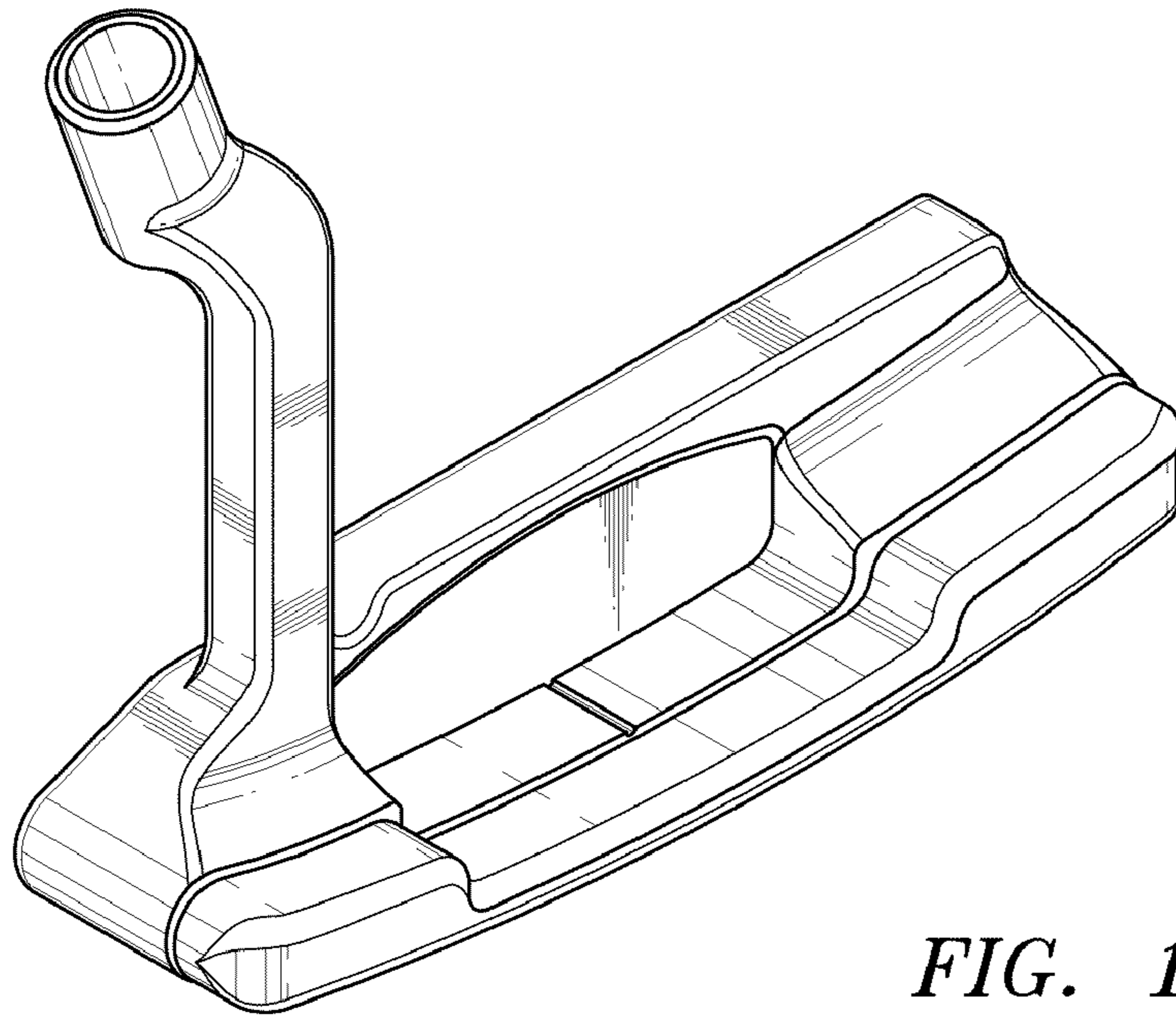


FIG. 1

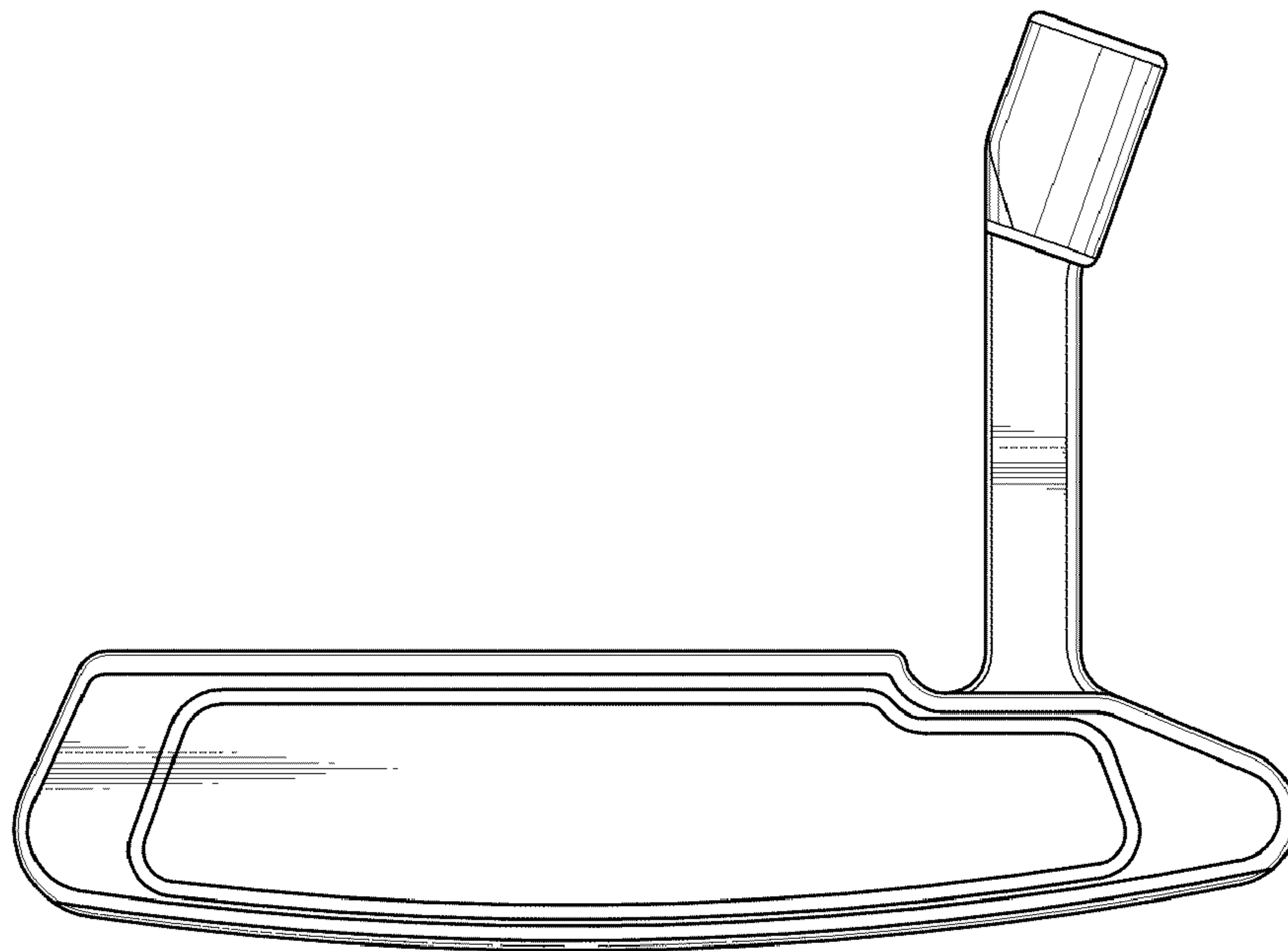


FIG. 2

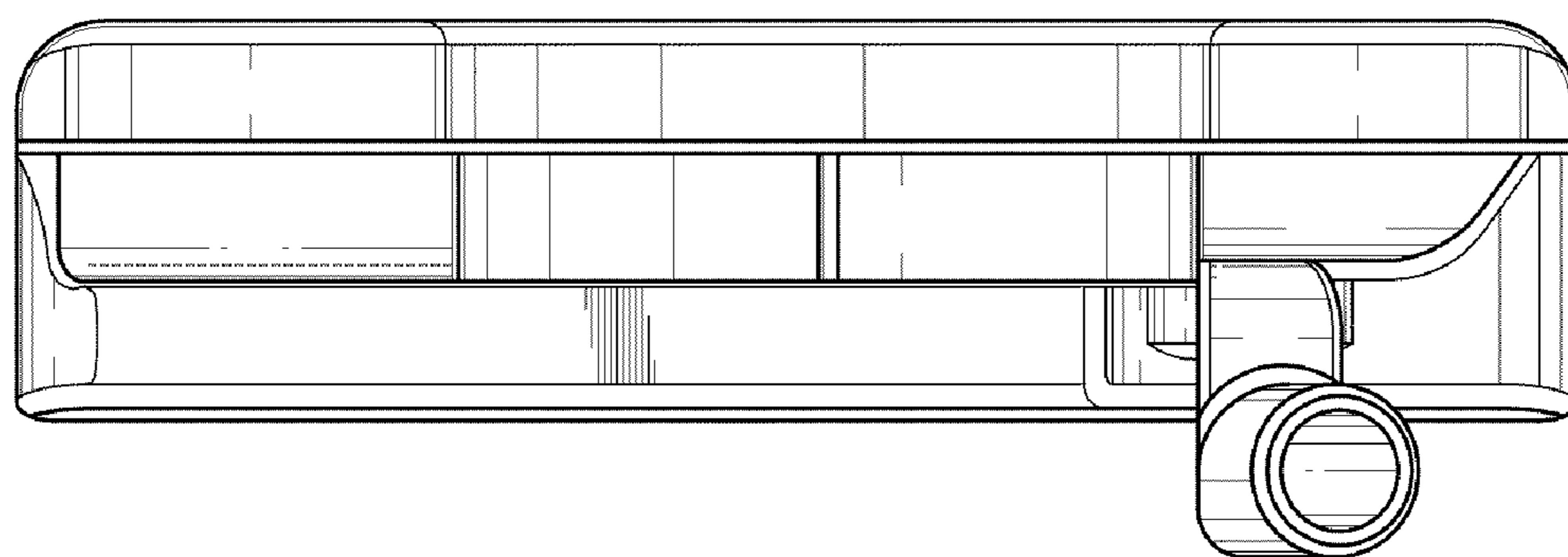


FIG. 3

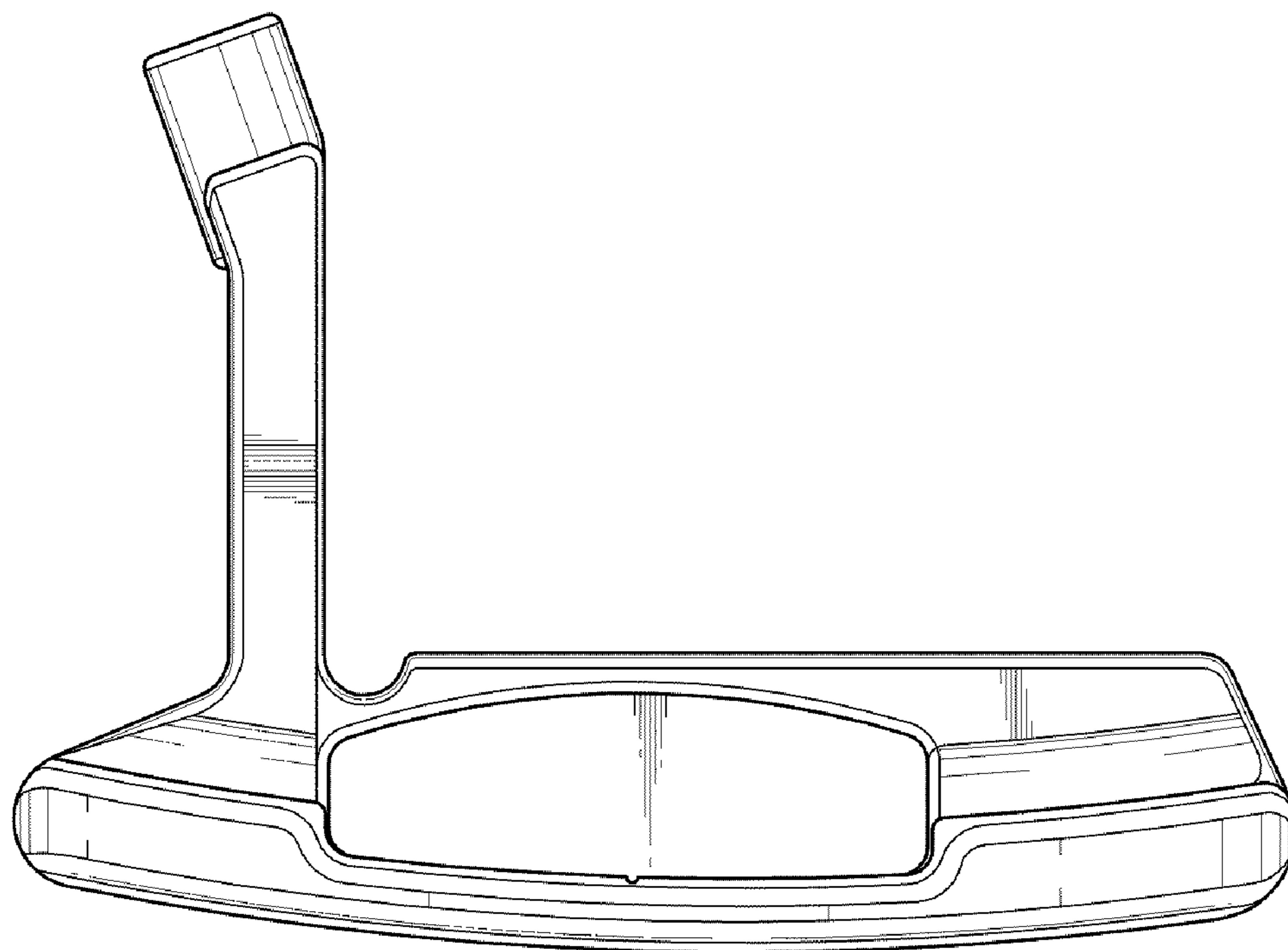


FIG. 4

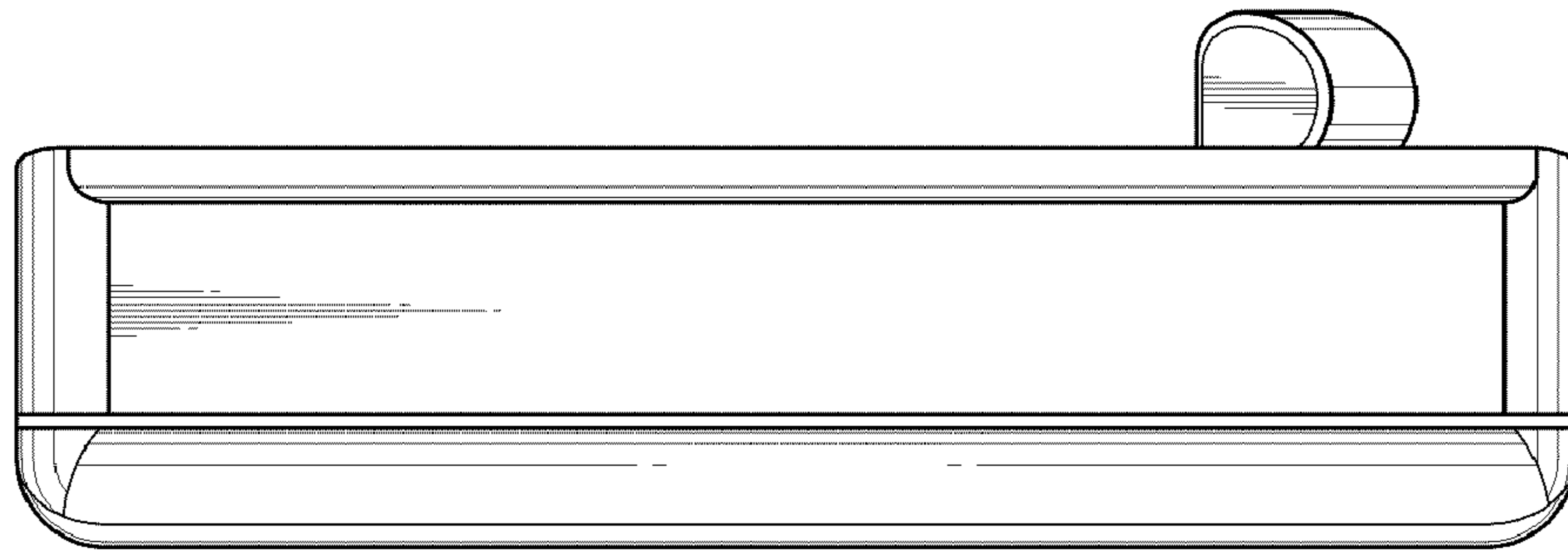


FIG. 5

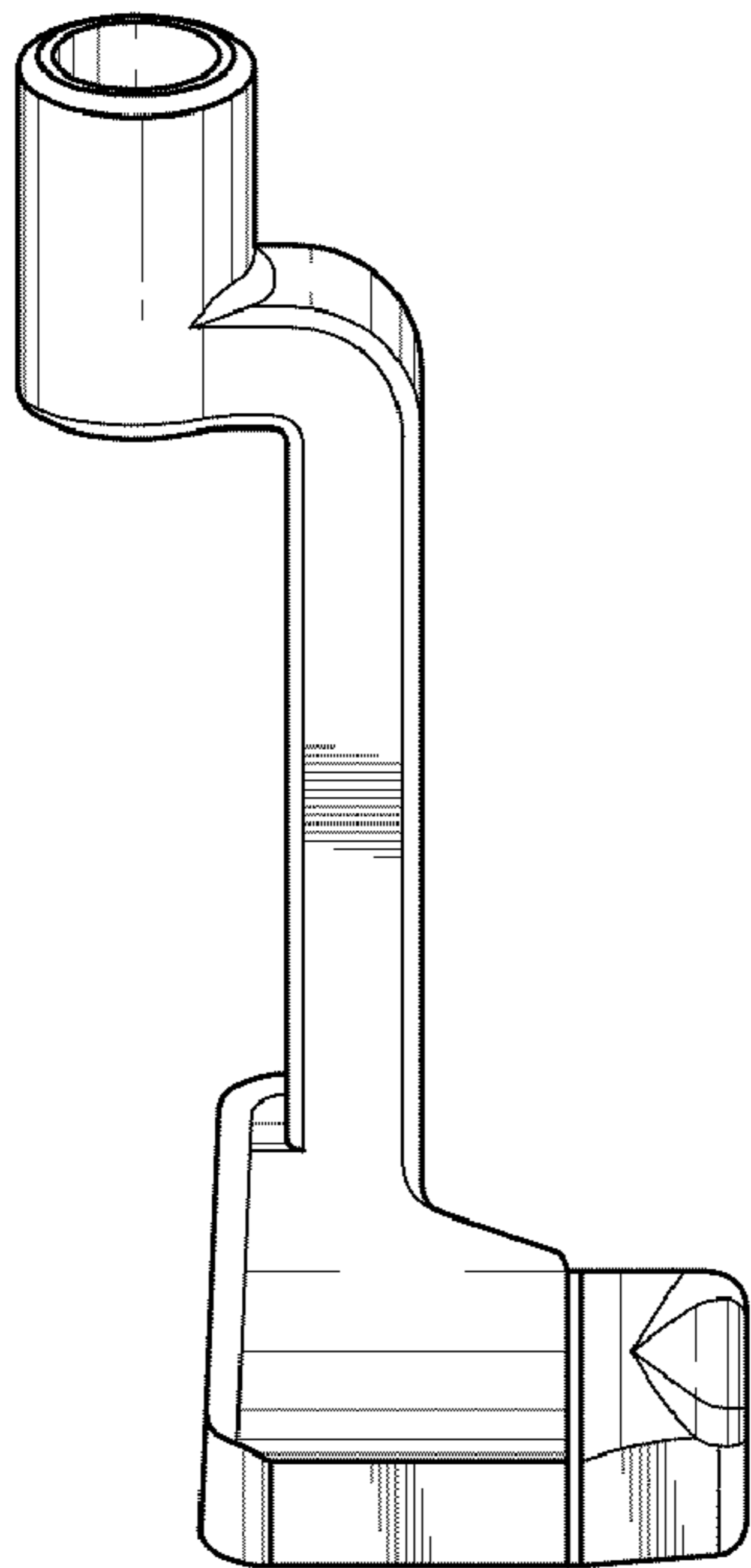


FIG. 6

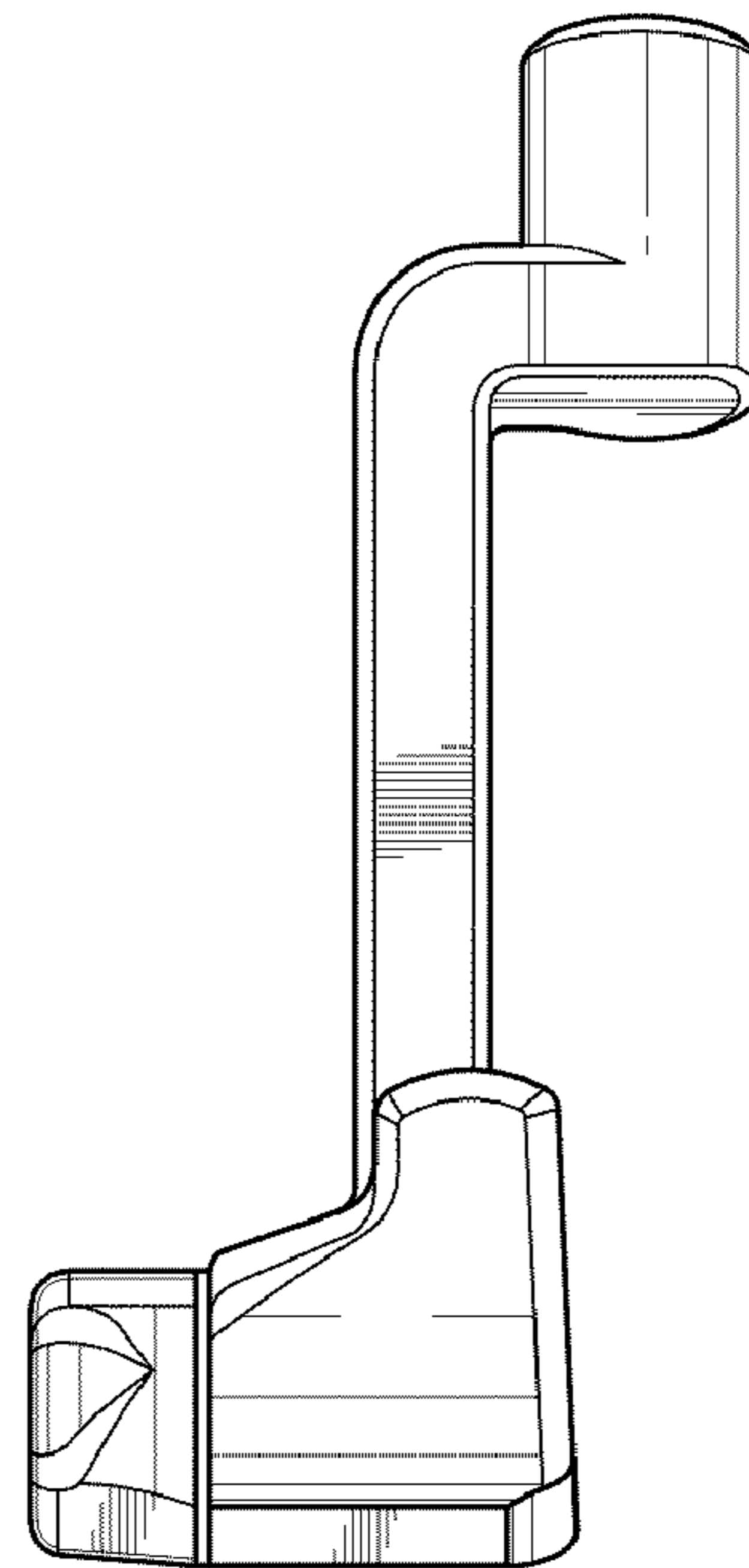


FIG. 7