



US00D638891S

(12) **United States Design Patent**
Nicolette et al.

(10) **Patent No.:** **US D638,891 S**
(45) **Date of Patent:** **** May 31, 2011**

(54) **GOLF CLUB HEAD**

(75) Inventors: **Michael R. Nicolette**, Scottsdale, AZ (US); **Bradley D. Schweigert**, Anthem, AZ (US); **Xiaojian Chen**, Phoenix, AZ (US)

(73) Assignee: **Karsten Manufacturing Corporation**, Phoenix, AZ (US)

(**) Term: **14 Years**

(21) Appl. No.: **29/378,880**

(22) Filed: **Nov. 10, 2010**

(51) **LOC (9) Cl.** **21-02**

(52) **U.S. Cl.** **D21/736**

(58) **Field of Classification Search** D21/736-746, D21/759; 473/324-331, 343-346, 251-256
See application file for complete search history.

(56) **References Cited**

U.S. PATENT DOCUMENTS

3,884,477	A	5/1975	Bianco	
4,030,766	A	6/1977	Derr	
D316,129	S	4/1991	Bryson	
6,159,108	A	12/2000	de la Pena	
6,379,259	B1	4/2002	Opie	
D488,526	S	4/2004	Souza et al.	
D500,109	S	12/2004	Solheim et al.	
D500,110	S	12/2004	Solheim et al.	
6,837,801	B1	1/2005	Souza et al.	
6,878,071	B1	4/2005	Schwieger et al.	
6,893,355	B2	5/2005	Souza et al.	
6,902,496	B2	6/2005	Solheim et al.	
D507,612	S	7/2005	Souza et al.	
6,926,615	B1	8/2005	Souza et al.	
D509,273	S *	9/2005	Morris et al.	D21/742
6,960,140	B2	11/2005	Solheim et al.	
6,966,845	B2	11/2005	Solheim et al.	
D520,584	S *	5/2006	Karlsen	D21/743
D521,582	S	5/2006	Souza et al.	
7,052,411	B2	5/2006	Solheim et al.	

D522,598	S	6/2006	Solheim et al.	
7,077,758	B2	7/2006	Rohrer	
7,086,957	B2	8/2006	Solheim et al.	
D527,777	S	9/2006	Solheim et al.	
D529,108	S	9/2006	Stites et al.	
D529,109	S *	9/2006	Jones	D21/743
D533,243	S	12/2006	Fife, Jr. et al.	
7,235,021	B2	6/2007	Solheim et al.	
D548,295	S	8/2007	Jertson et al.	
7,255,650	B2	8/2007	Braynt et al.	
D552,197	S	10/2007	Wells et al.	

(Continued)

OTHER PUBLICATIONS

Stina Sternberg and Ashley Mayo, "2008 Spring Equipment Preview," Golf for Women, May-Jun. 2008 at 114.

(Continued)

Primary Examiner — Mitchell Siegel

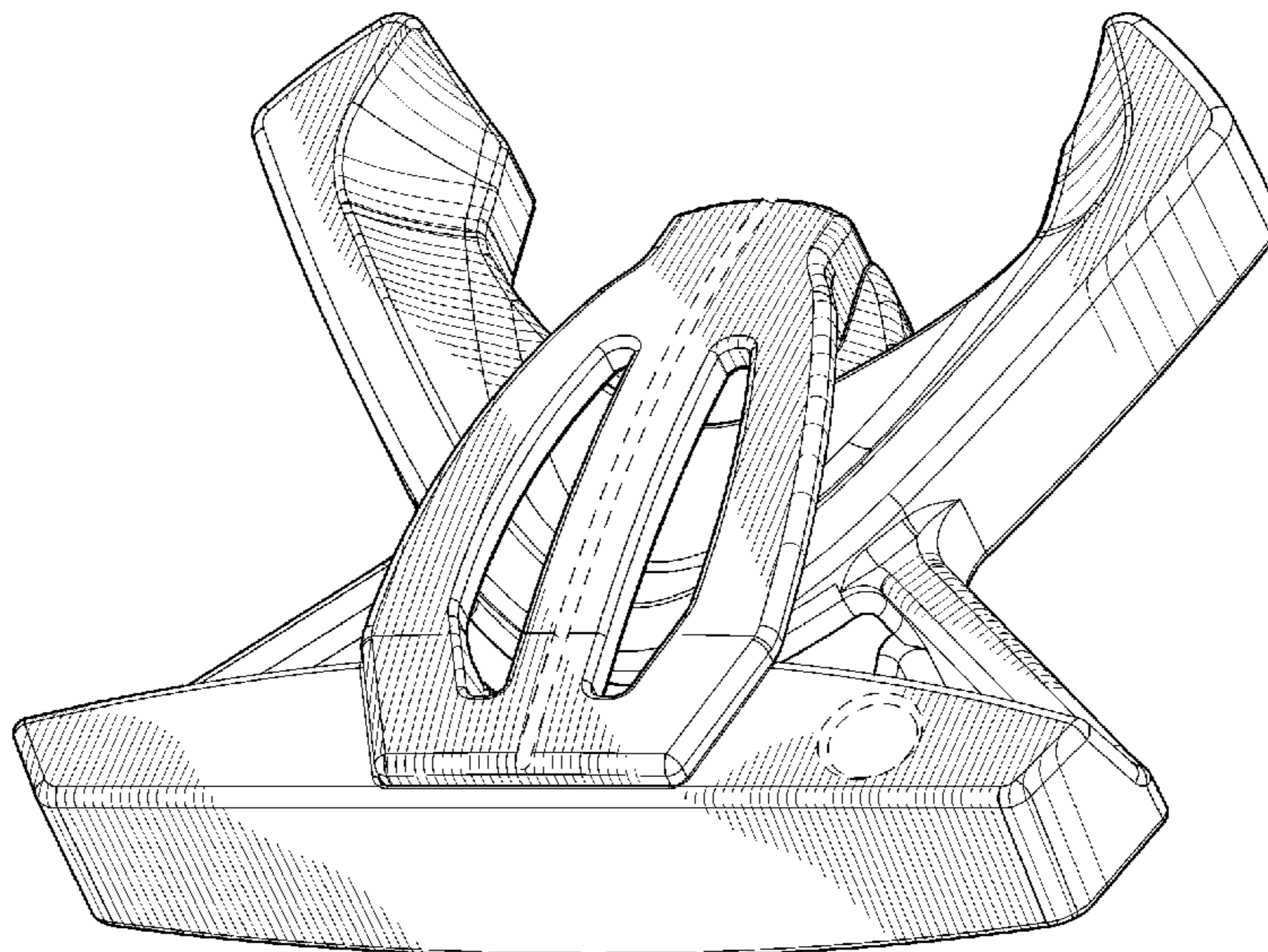
(57) **CLAIM**

The ornamental design for a golf club head, as shown and described.

DESCRIPTION

FIG. 1 is a top perspective view of a golf club head; FIG. 2 is a bottom perspective view of the golf club head of FIG. 1; FIG. 3 is a front elevational view of the golf club head of FIG. 1; FIG. 4 is a rear elevational view of the golf club head of FIG. 1; FIG. 5 is a top view of the golf club head of FIG. 1; FIG. 6 is a bottom view of the golf club head of FIG. 1; FIG. 7 is a left side view of the golf club head of FIG. 1; and, FIG. 8 is a right side view of the golf club head of FIG. 1. The broken lines shown in one or more of the figures are for illustrative purposes only and form no part of the claimed design.

1 Claim, 5 Drawing Sheets



US D638,891 S

Page 2

U.S. PATENT DOCUMENTS

D565,137 S * 3/2008 Oldknow et al. D21/736
7,407,443 B2 * 8/2008 Franklin et al. 473/251
D581,473 S 11/2008 Thomas
D583,003 S 12/2008 Solheim et al.
D587,325 S 2/2009 Solheim et al.
D595,370 S * 6/2009 Ines et al. D21/736
D599,870 S * 9/2009 Serrano et al. D21/736
D600,295 S * 9/2009 Meeks D21/744
D600,760 S 9/2009 Serrano et al.
D600,761 S 9/2009 Solheim et al.
D600,762 S * 9/2009 Serrano et al. D21/743
D606,139 S * 12/2009 Ines et al. D21/736
D607,950 S 1/2010 Souza et al.
D607,952 S * 1/2010 Demkowski et al. D21/743
D621,458 S 8/2010 Serrano et al.
D621,460 S * 8/2010 Serrano et al. D21/742
D621,461 S 8/2010 Serrano et al.
D621,462 S 8/2010 Serrano et al.

D621,891 S 8/2010 Serrano et al.
7,803,066 B2 9/2010 Solheim et al.
D627,840 S * 11/2010 Cameron D21/736
2005/0170904 A1 8/2005 Smeeth
2006/0094533 A1 5/2006 Warren et al.
2006/0166755 A1 7/2006 Brown
2007/0049395 A1 3/2007 Solheim et al.
2007/0191135 A1 8/2007 Nilsson et al.
2009/0270196 A1 10/2009 Solheim et al.
2009/0270198 A1 10/2009 Solheim et al.
2009/0305807 A1 12/2009 Solheim et al.
2010/0227704 A1 9/2010 Souza et al.

OTHER PUBLICATIONS

Stina Sternberg, "Hot List 2008-Putters," Golf Digest Feb. 2008 at 158-169 also available at: <http://www.golfdigest.com/equipment/ratings>.

* cited by examiner

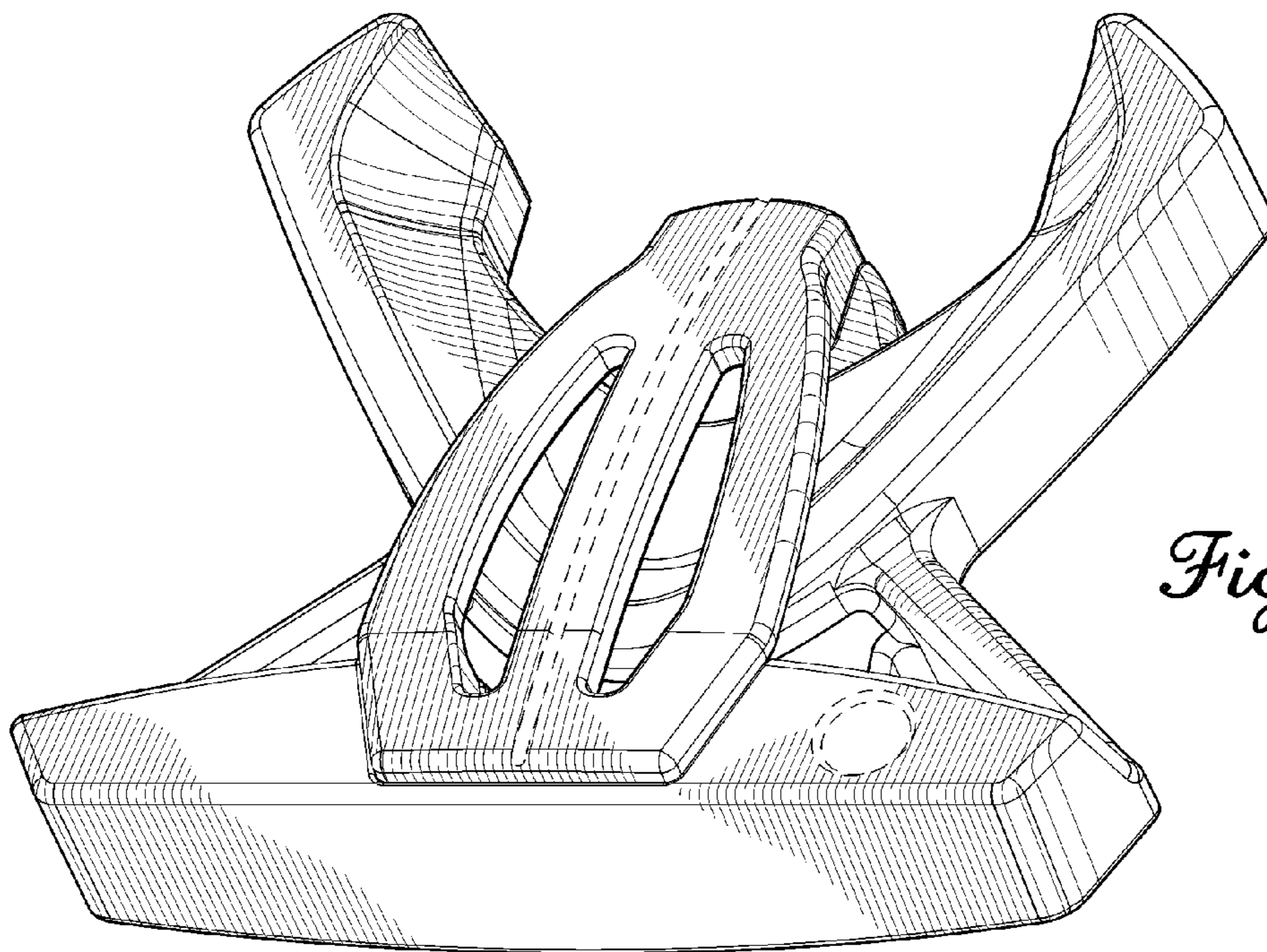


Fig. 1

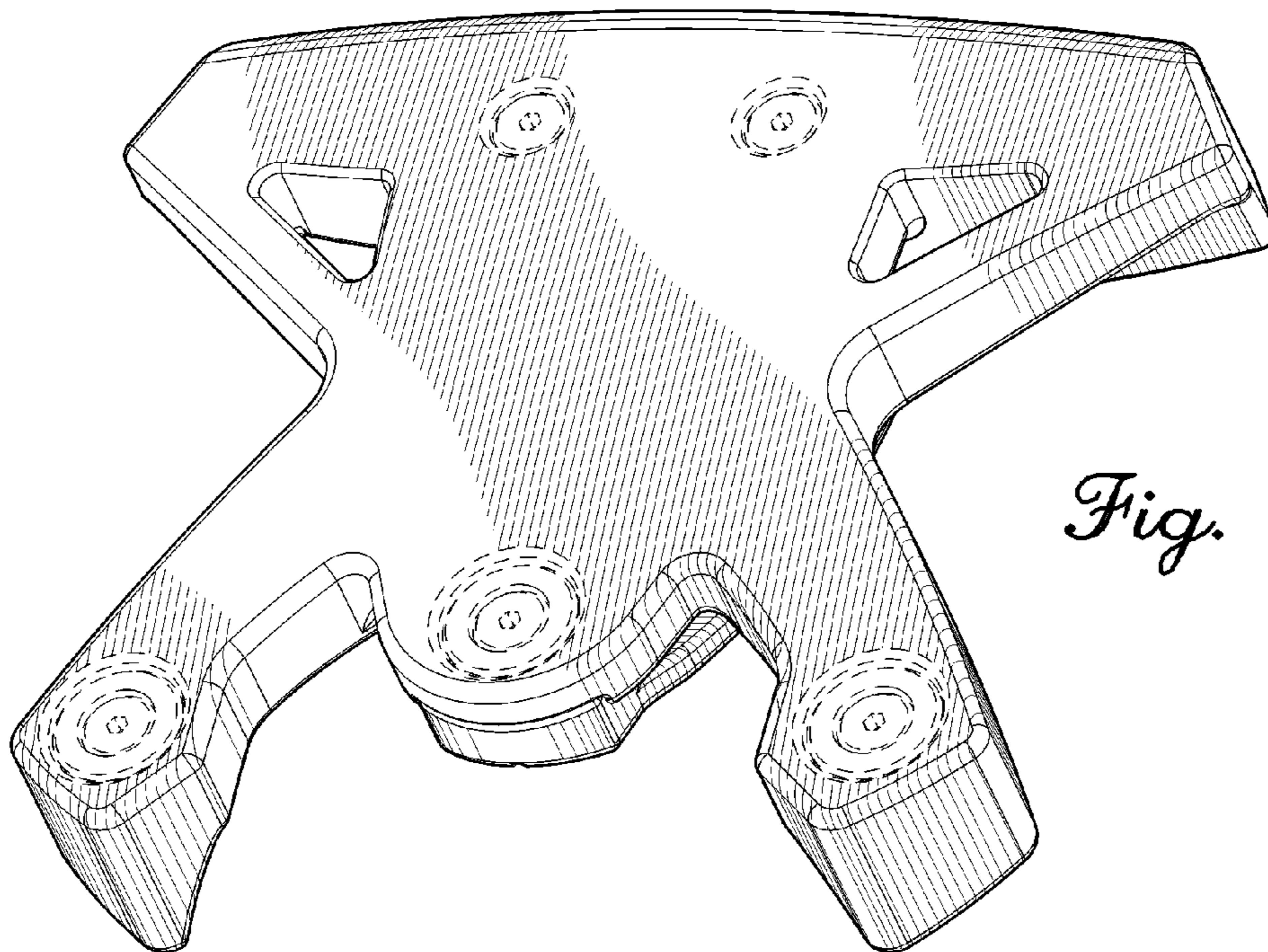


Fig. 2

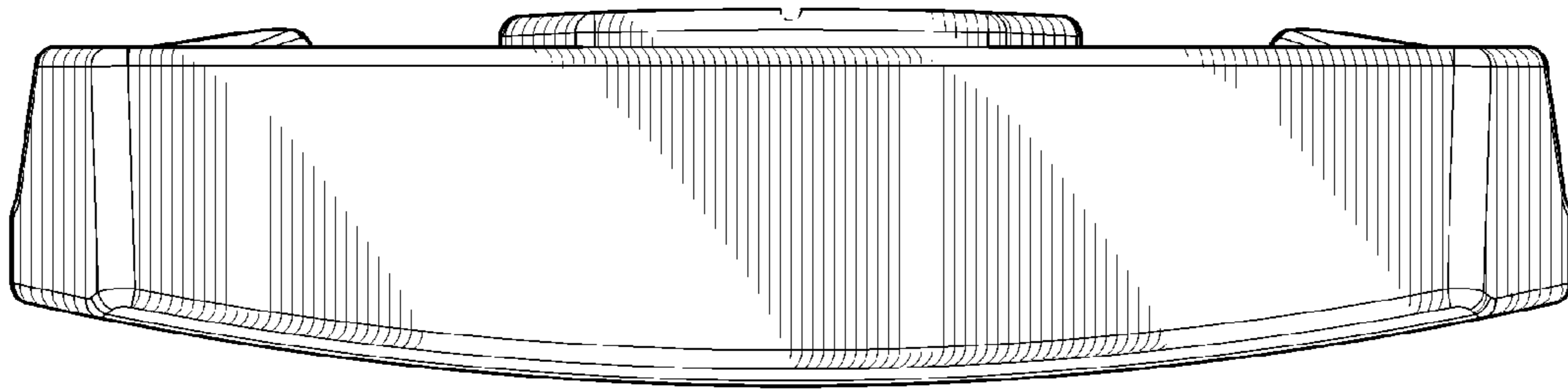


Fig. 3

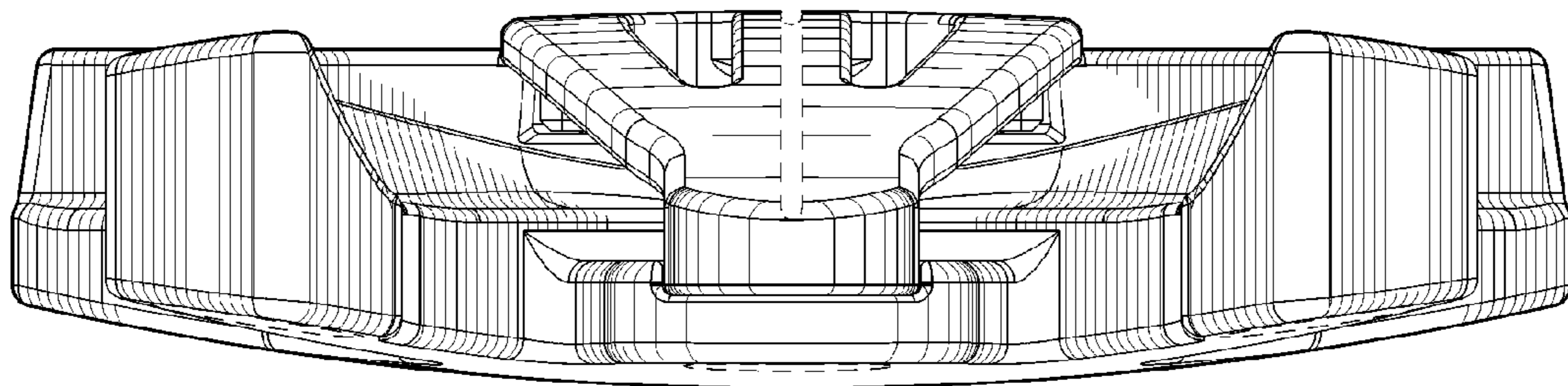


Fig. 4

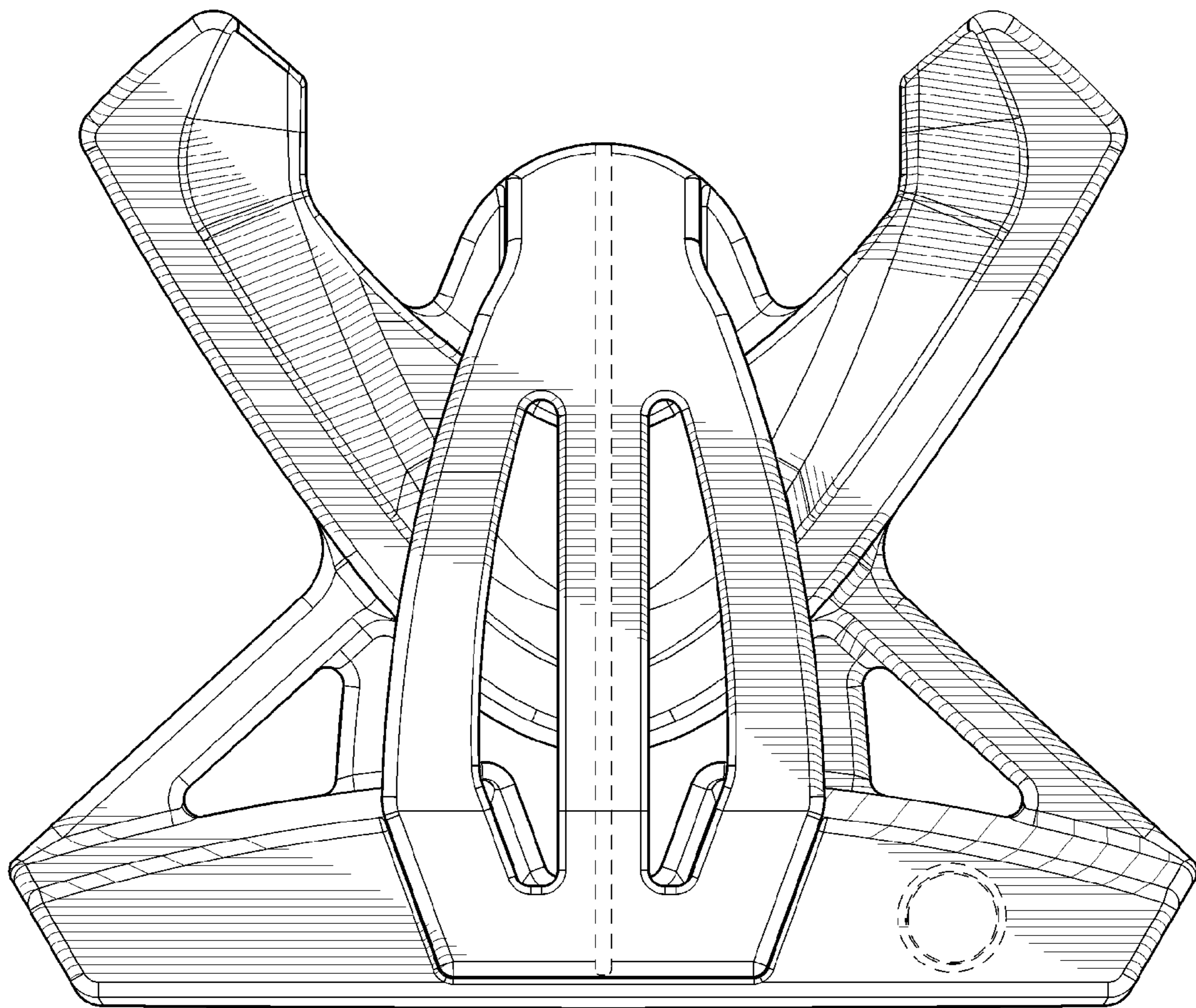


Fig. 5

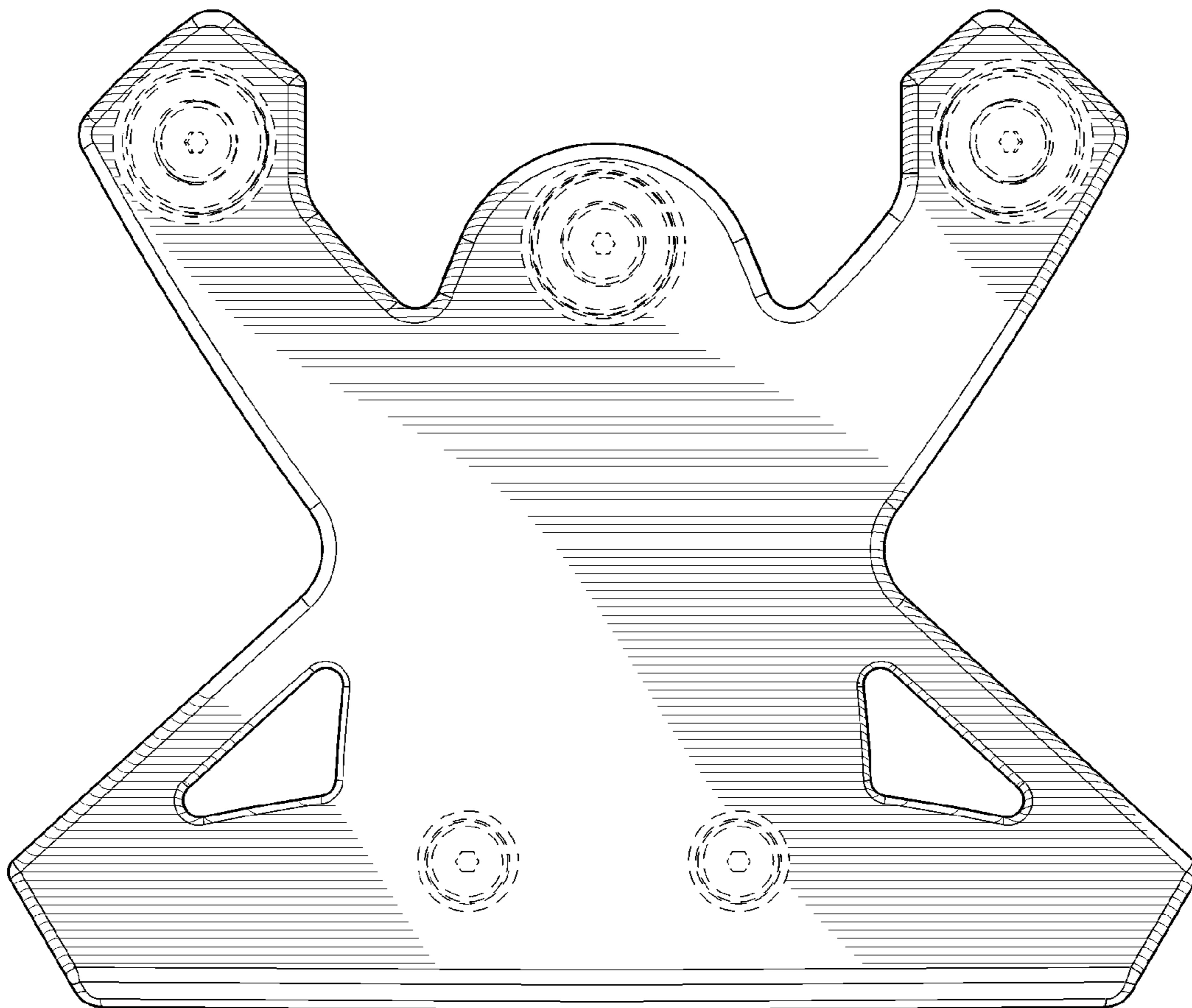


Fig. 6

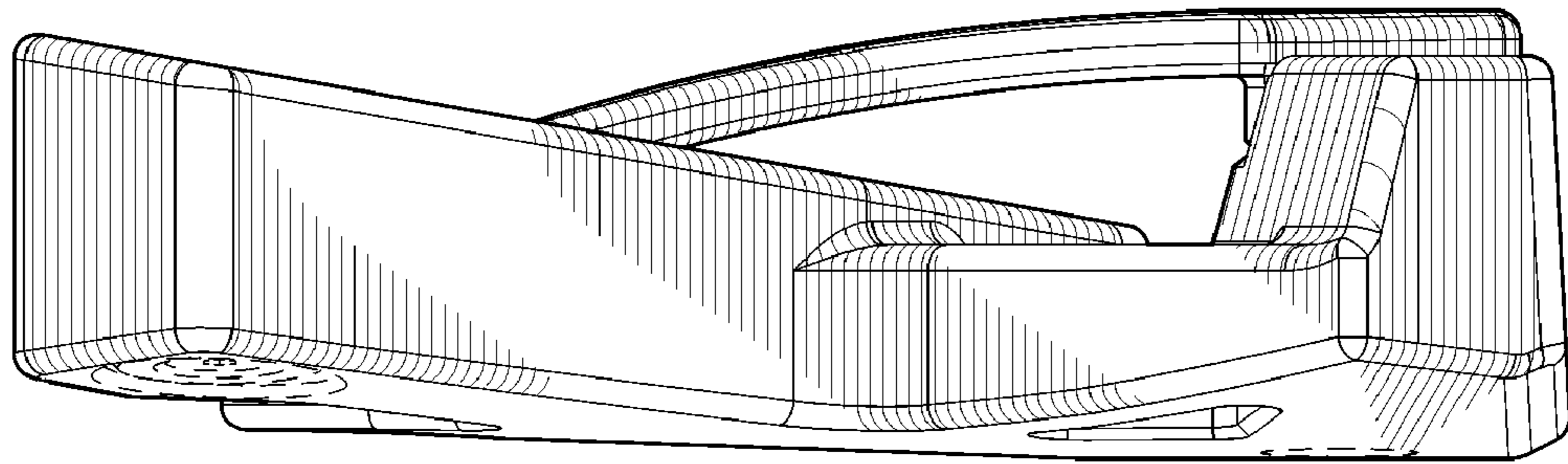


Fig. 7

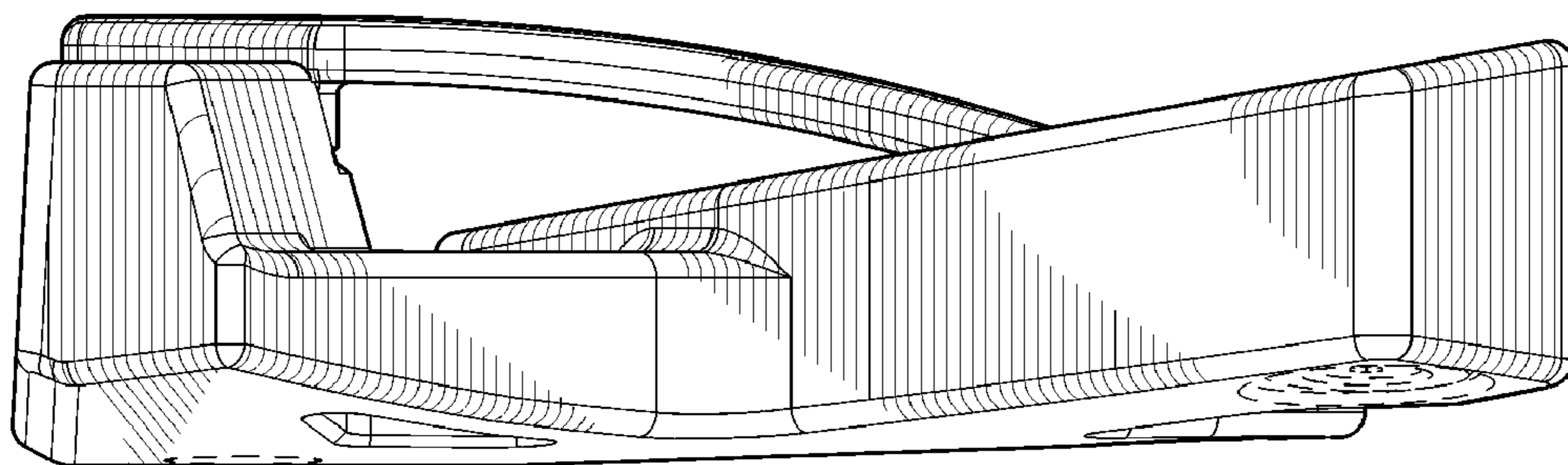


Fig. 8