



US00D638890S

(12) **United States Design Patent**  
**Raab**

(10) **Patent No.:** **US D638,890 S**

(45) **Date of Patent:** **\*\* May 31, 2011**

(54) **GOLF PUTTER HEAD**

(76) Inventor: **Andreas Raab**, Agoura Hills, CA (US)

(\*\*) Term: **14 Years**

(21) Appl. No.: **29/369,745**

(22) Filed: **Sep. 13, 2010**

(51) **LOC (9) Cl.** ..... **21-02**

(52) **U.S. Cl.** ..... **D21/736**

(58) **Field of Classification Search** ..... D21/733,  
D21/735-746, 752, 759; 473/324-331, 340-346  
See application file for complete search history.

D434,093 S \* 11/2000 Mathews, Jr. .... D21/736  
D444,194 S \* 6/2001 Calabro ..... D21/738  
D490,870 S \* 6/2004 Burrows ..... D21/752  
D508,098 S \* 8/2005 Chiasson et al. .... D21/742  
D517,144 S \* 3/2006 Chiasson et al. .... D21/742

\* cited by examiner

*Primary Examiner* — Mitchell Siegel

(74) *Attorney, Agent, or Firm* — Clement Cheng

(57) **CLAIM**

The ornamental design for a golf putter head, as shown and described.

**DESCRIPTION**

FIG. 1 is a perspective view.

FIG. 2 is a front perspective view.

FIG. 3 is a rear side perspective view.

FIG. 4 is a left side perspective view.

FIG. 5 is a right side perspective view.

FIG. 6 is a top view.

FIG. 7 is a bottom view; and,

FIG. 8 is a cross section view.

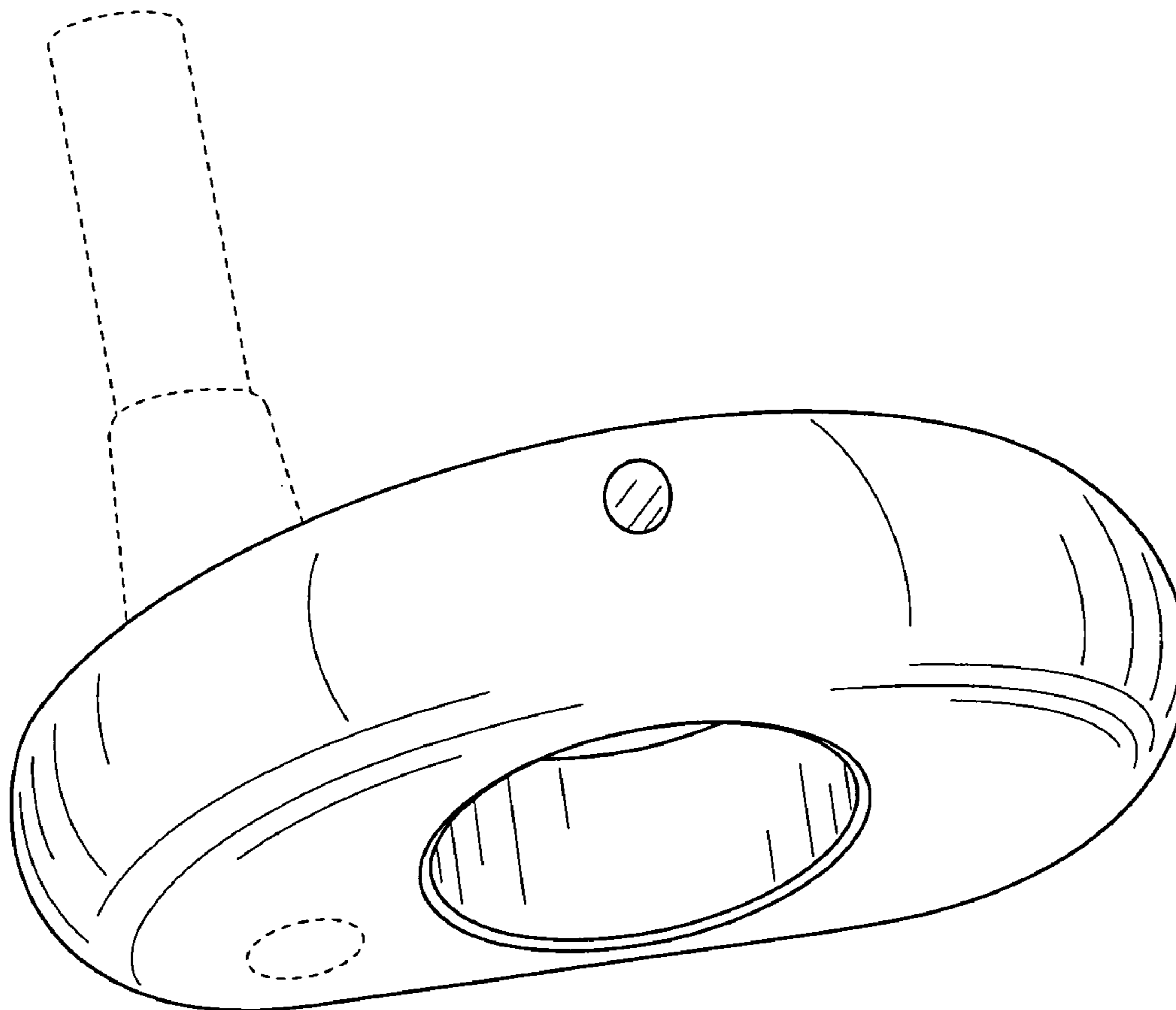
The broken line showing is for illustrative purposes only and forms no part of the claimed design.

**1 Claim, 5 Drawing Sheets**

(56) **References Cited**

U.S. PATENT DOCUMENTS

3,374,027 A \* 3/1968 Jacobs ..... 473/286  
D257,872 S \* 1/1981 MacDougall ..... D21/744  
D257,873 S \* 1/1981 MacDougall ..... D21/745  
D356,356 S \* 3/1995 Jacobs ..... D21/744  
D364,666 S \* 11/1995 Nagy ..... D21/743  
D368,752 S \* 4/1996 Patten ..... D21/745  
D390,294 S \* 2/1998 Burrows ..... D21/752  
D390,295 S \* 2/1998 Burrows ..... D21/752  
D392,354 S \* 3/1998 Burrows ..... D21/752  
D397,749 S \* 9/1998 Burrows ..... D21/733  
D425,590 S \* 5/2000 Godown ..... D21/738  
D427,261 S \* 6/2000 Mathews, Jr. .... D21/738



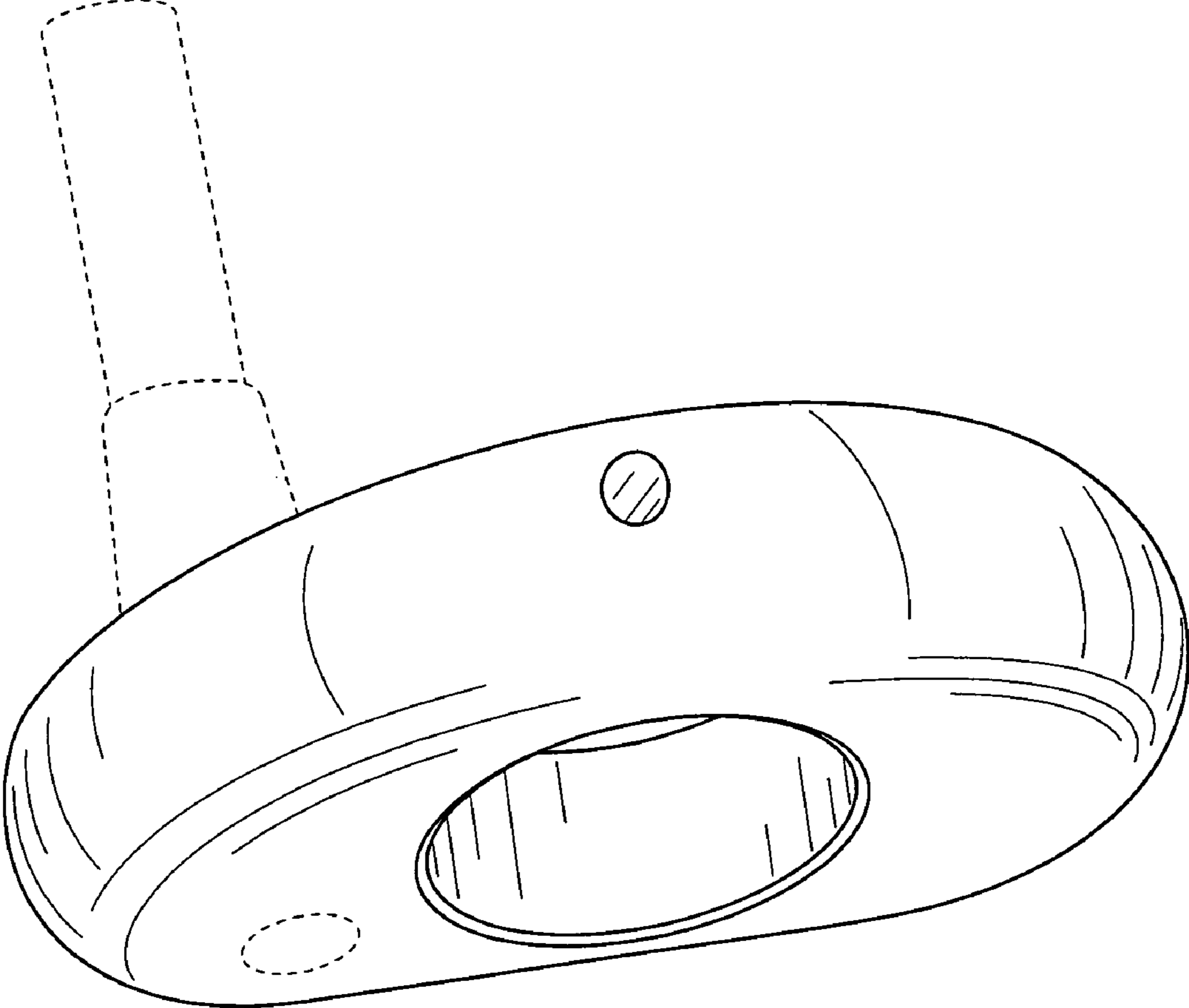


FIG. 1

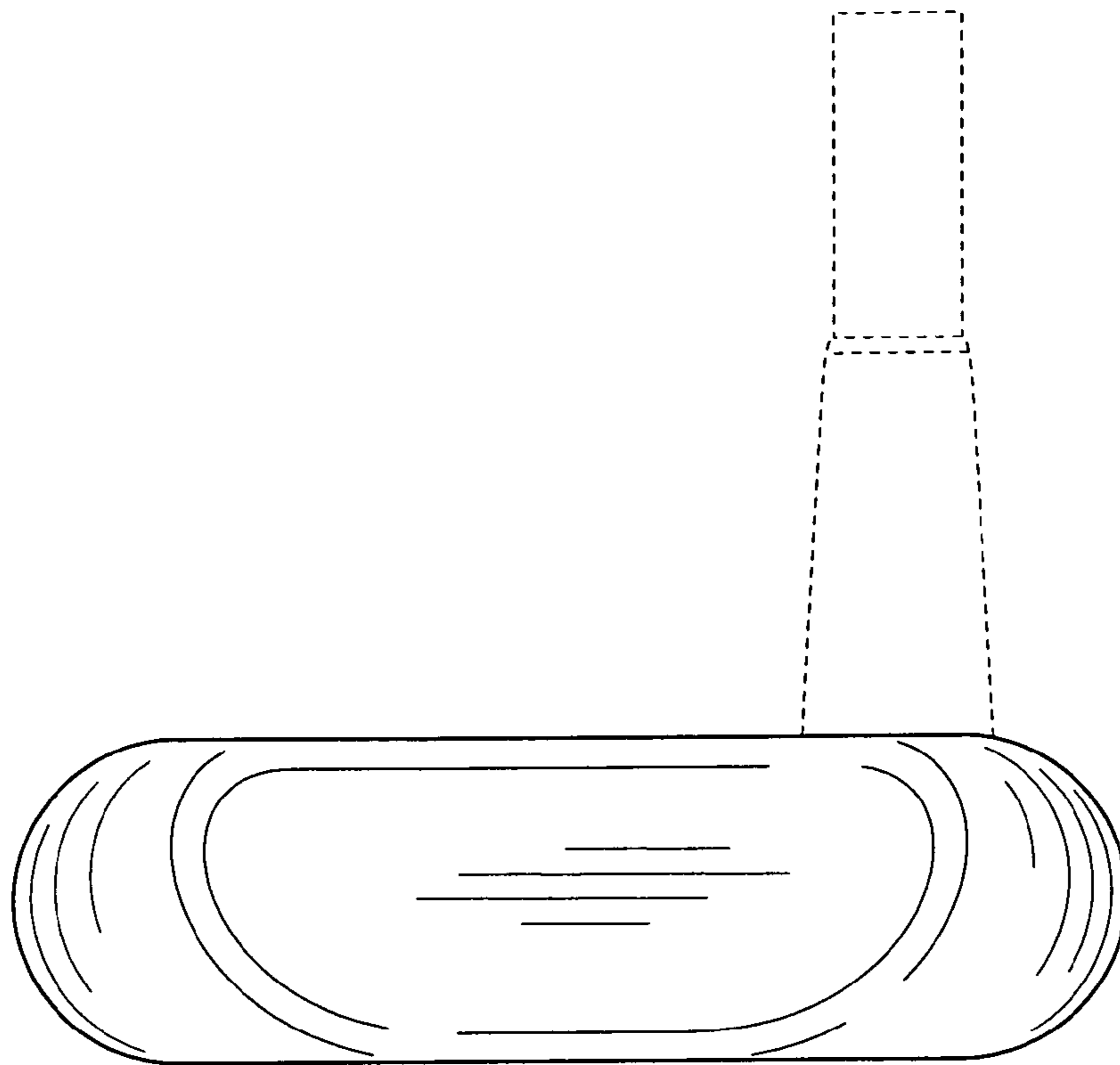


FIG. 2

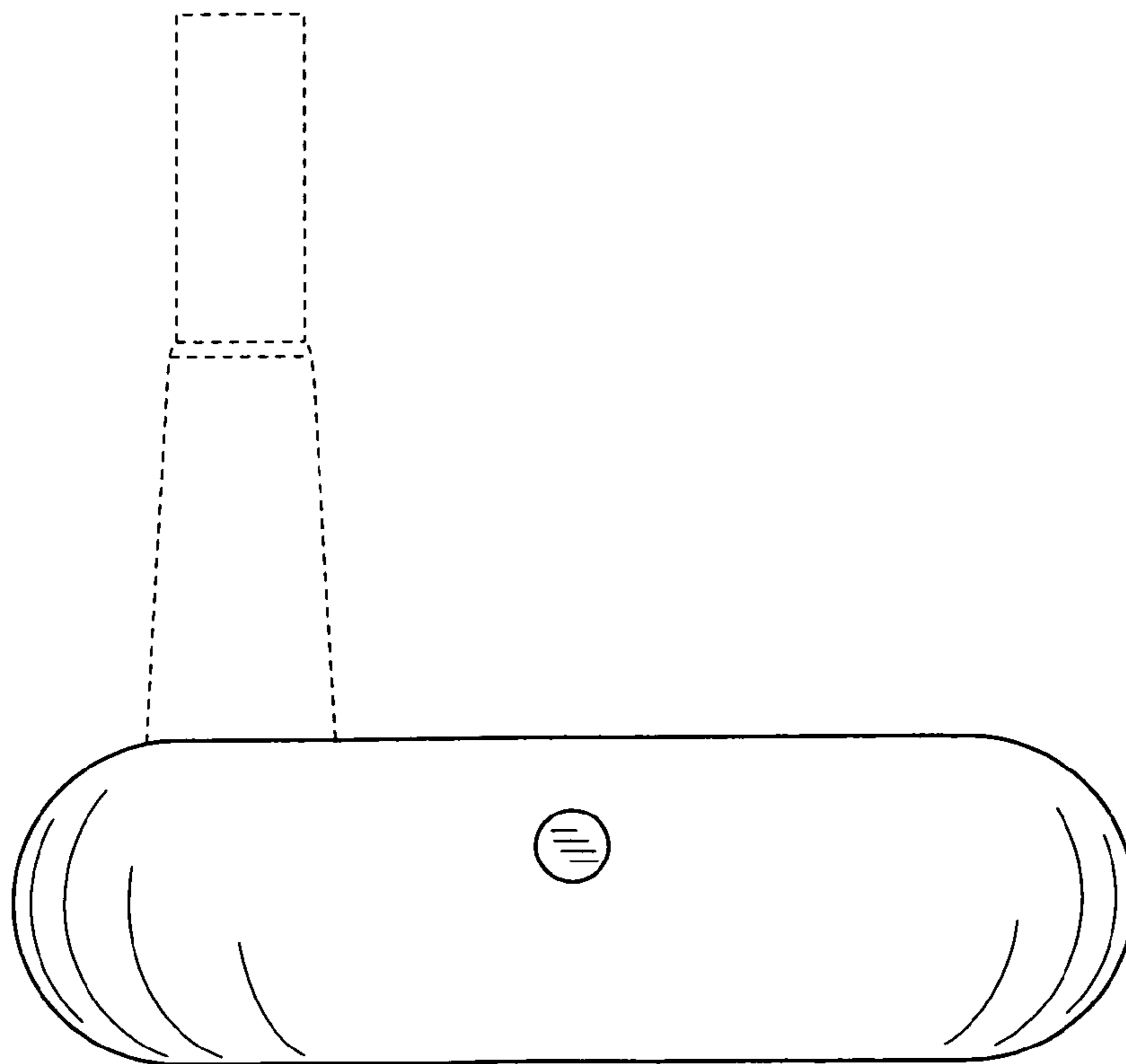


FIG. 3

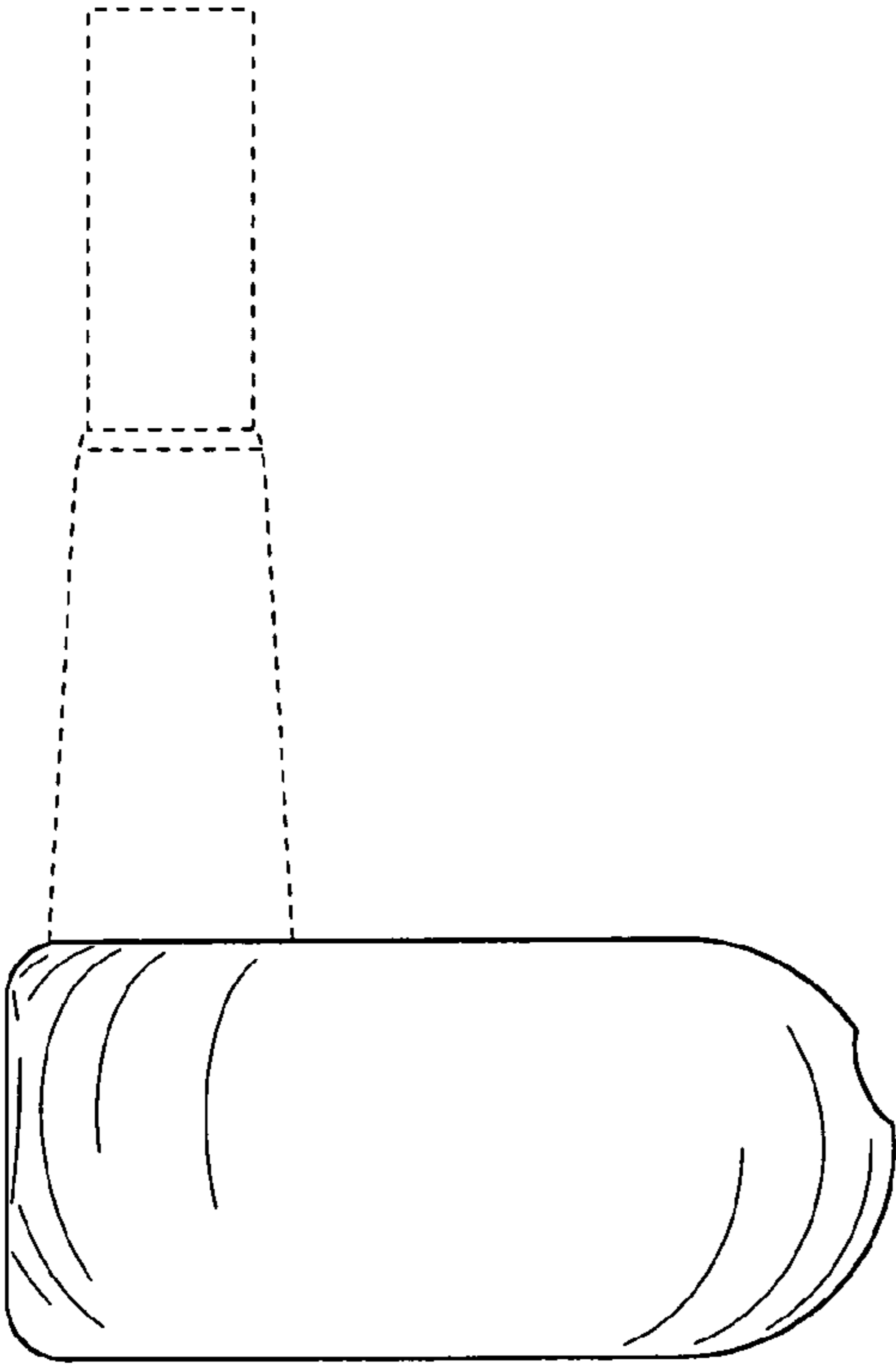


FIG. 4

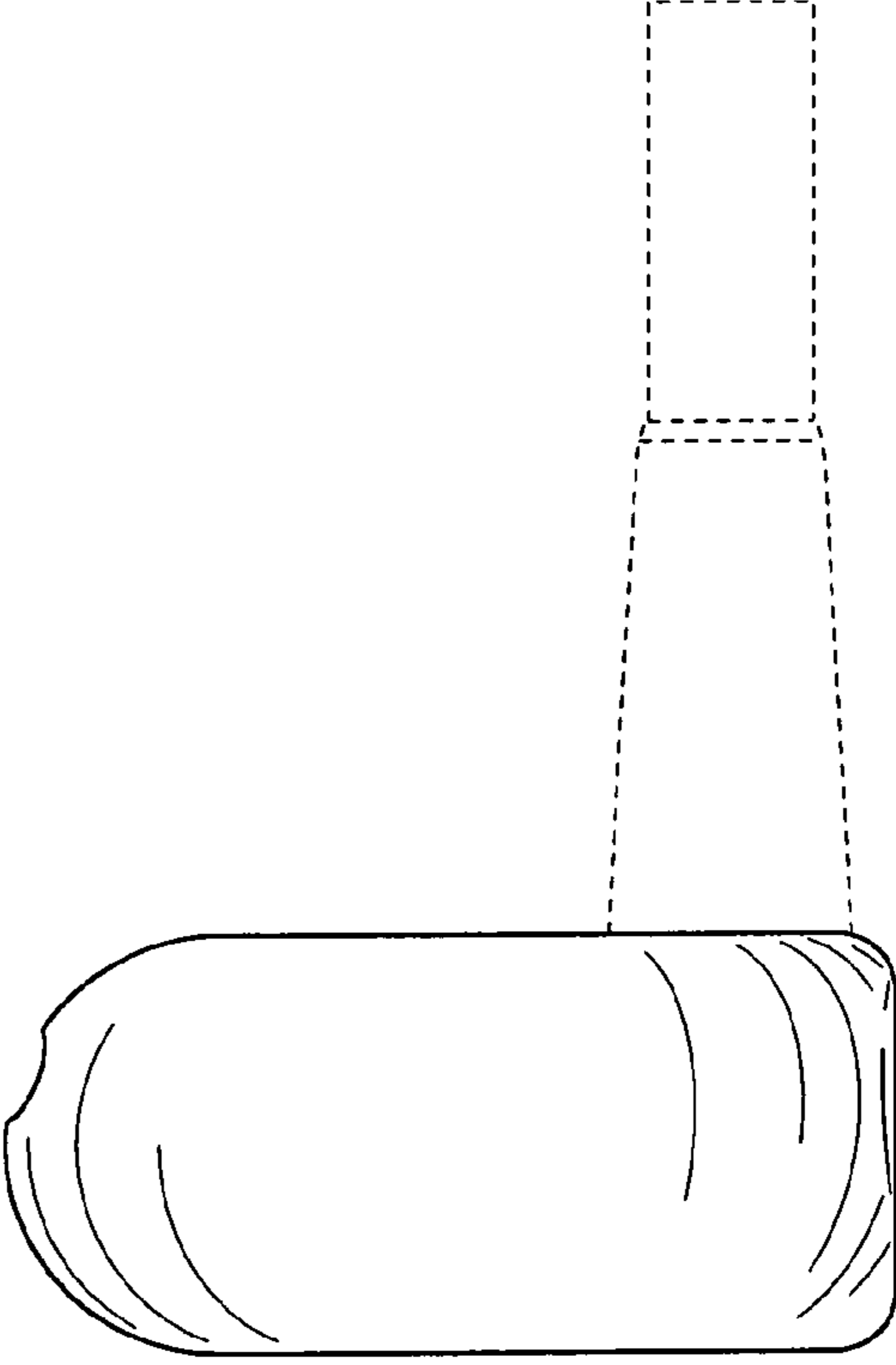


FIG. 5

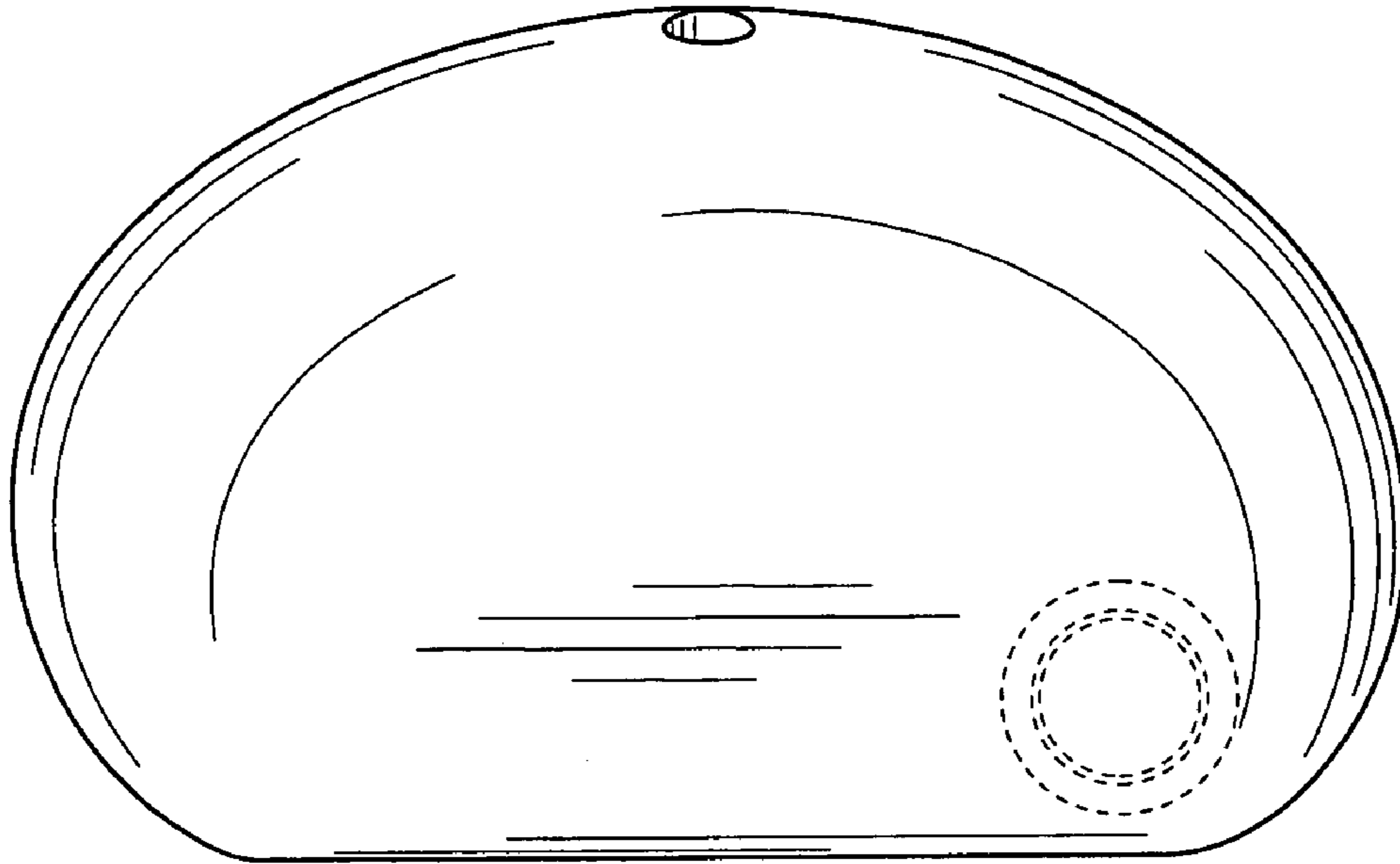


FIG. 6

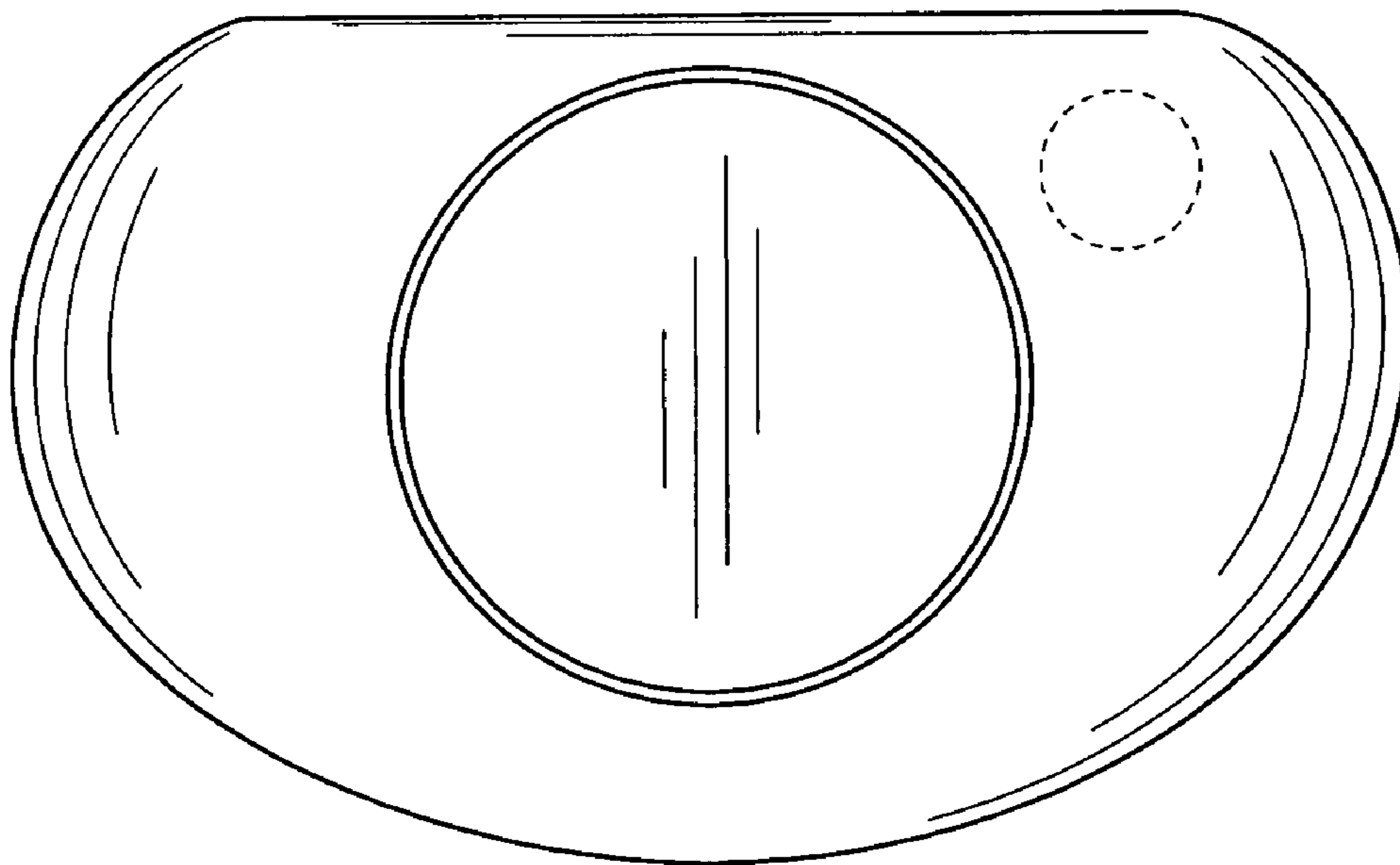


FIG. 7

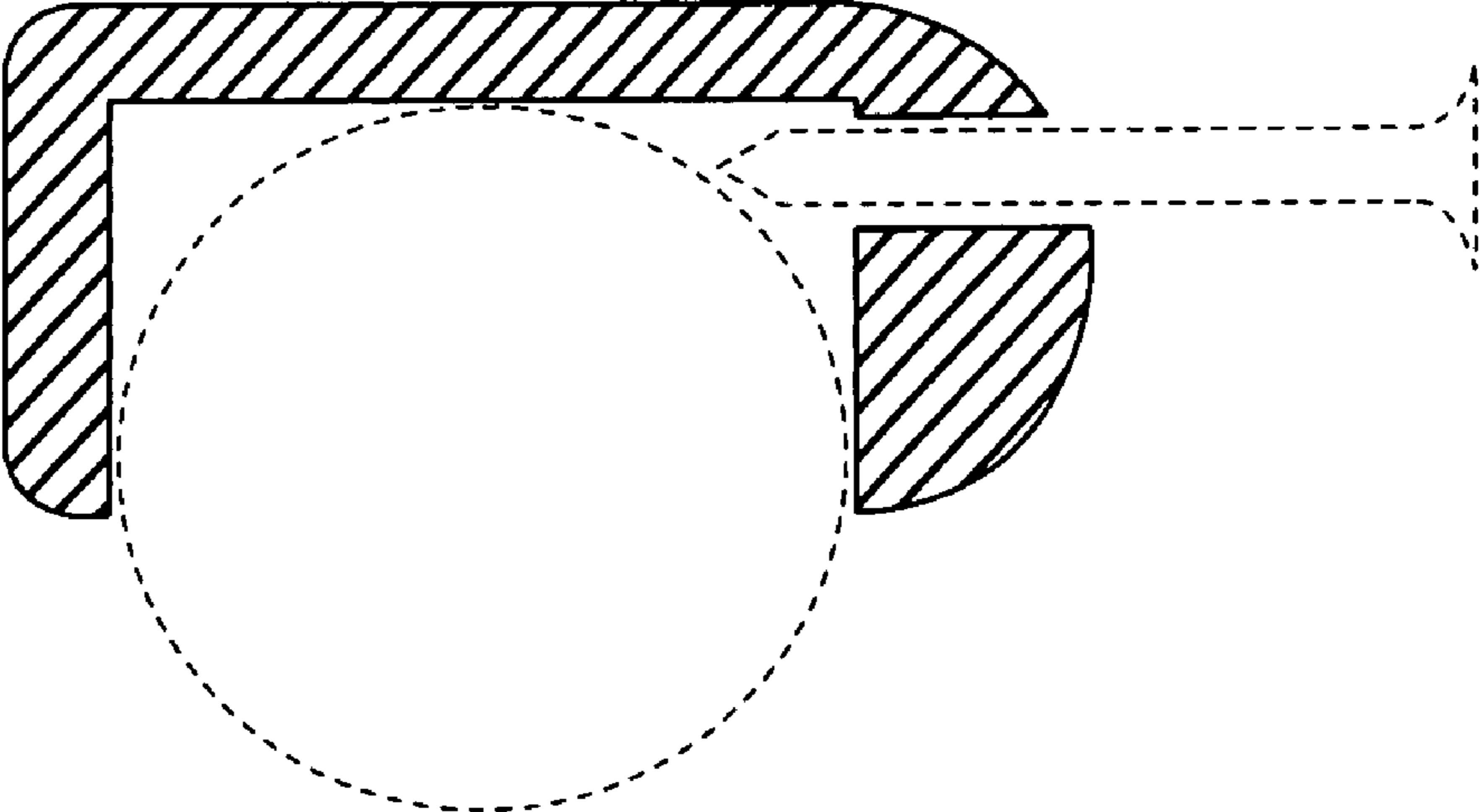


FIG. 8