



US00D63888S

(12) **United States Design Patent**
Maldonado

(10) **Patent No.:** **US D638,888 S**

(45) **Date of Patent:** **** May 31, 2011**

(54) **EXERCISE APPARATUS**

(75) Inventor: **Brian Maldonado**, Minneapolis, MN
(US)

(73) Assignee: **Brian Maldonado**, Minneapolis, MN
(US)

(**) Term: **14 Years**

(21) Appl. No.: **29/341,187**

(22) Filed: **Jul. 31, 2009**

(51) **LOC (9) Cl.** **21-02**

(52) **U.S. Cl.** **D21/662; D21/690**

(58) **Field of Classification Search** D21/662,
D21/673-676, 686, 690-691; 482/93, 112,
482/123, 130-131, 133, 140-142, 148; 601/26,
601/115

See application file for complete search history.

(56) **References Cited**

U.S. PATENT DOCUMENTS

D78,474	S *	5/1929	Matheson	D21/690
2,906,532	A	9/1959	Echols		
4,267,610	A *	5/1981	Blakeway et al.	5/613
5,233,712	A *	8/1993	Jurus et al.	5/613
5,356,362	A	10/1994	Becker et al.		
5,573,485	A *	11/1996	Geschwender	482/112
5,795,276	A *	8/1998	Almeda	482/142
5,931,769	A *	8/1999	Nunez	482/142
D424,142	S *	5/2000	McBride et al.	D21/690
6,063,015	A *	5/2000	Johnston	482/142
D431,617	S *	10/2000	Harley	D21/691
6,309,331	B1	10/2001	Raymond		
6,440,045	B1	8/2002	Gaston		
6,461,284	B1	10/2002	Francavilla		
6,547,706	B1	4/2003	Chek		
6,569,069	B1 *	5/2003	Linares	482/148
6,626,807	B1 *	9/2003	Richmond	482/123
6,669,611	B2	12/2003	Raymond		
6,689,026	B2	2/2004	Almada		
7,326,159	B2 *	2/2008	Rong	482/140
7,367,928	B2 *	5/2008	Storch	482/141
7,476,189	B2	1/2009	Hale		

7,674,216	B1	3/2010	Bolling
2003/0120188	A1	6/2003	Kusumi
2005/0079964	A1	4/2005	Francavilla
2005/0245370	A1	11/2005	Boland
2007/0207906	A1	9/2007	Blaum
2009/0215597	A1	8/2009	Fernandez
2009/0325770	A1	12/2009	Baschnagel

OTHER PUBLICATIONS

Application and File History U.S. Appl. No. 12/533,646, filed Jul. 31, 2009, Inventor Maldonado as available on PAIR at www.uspto.gov.

* cited by examiner

Primary Examiner — Susan E Krakower

(74) *Attorney, Agent, or Firm* — Patterson Thuent Christensen Pedersen P.A.

(57) **CLAIM**

I claim the ornamental design for an exercise apparatus, as shown and described.

DESCRIPTION

FIG. 1 is a front elevation view of an exercise apparatus according to the invention;

FIG. 2 is a back elevation view of the exercise apparatus depicted in FIG. 1;

FIG. 3 is a bottom plan view of the exercise apparatus depicted in FIG. 1;

FIG. 4 is a top plan view of the exercise apparatus depicted in FIG. 1;

FIG. 5 is a first side elevation view of the exercise apparatus depicted in FIG. 1;

FIG. 6 is an opposing side elevation view of the exercise apparatus depicted in FIG. 1;

FIG. 7 is a first side perspective view of the exercise apparatus depicted in FIG. 1;

FIG. 8 is an opposing side perspective view of the exercise apparatus depicted in FIG. 1; and,

FIG. 9 is a back perspective view of the exercise apparatus depicted in FIG. 1.

1 Claim, 9 Drawing Sheets

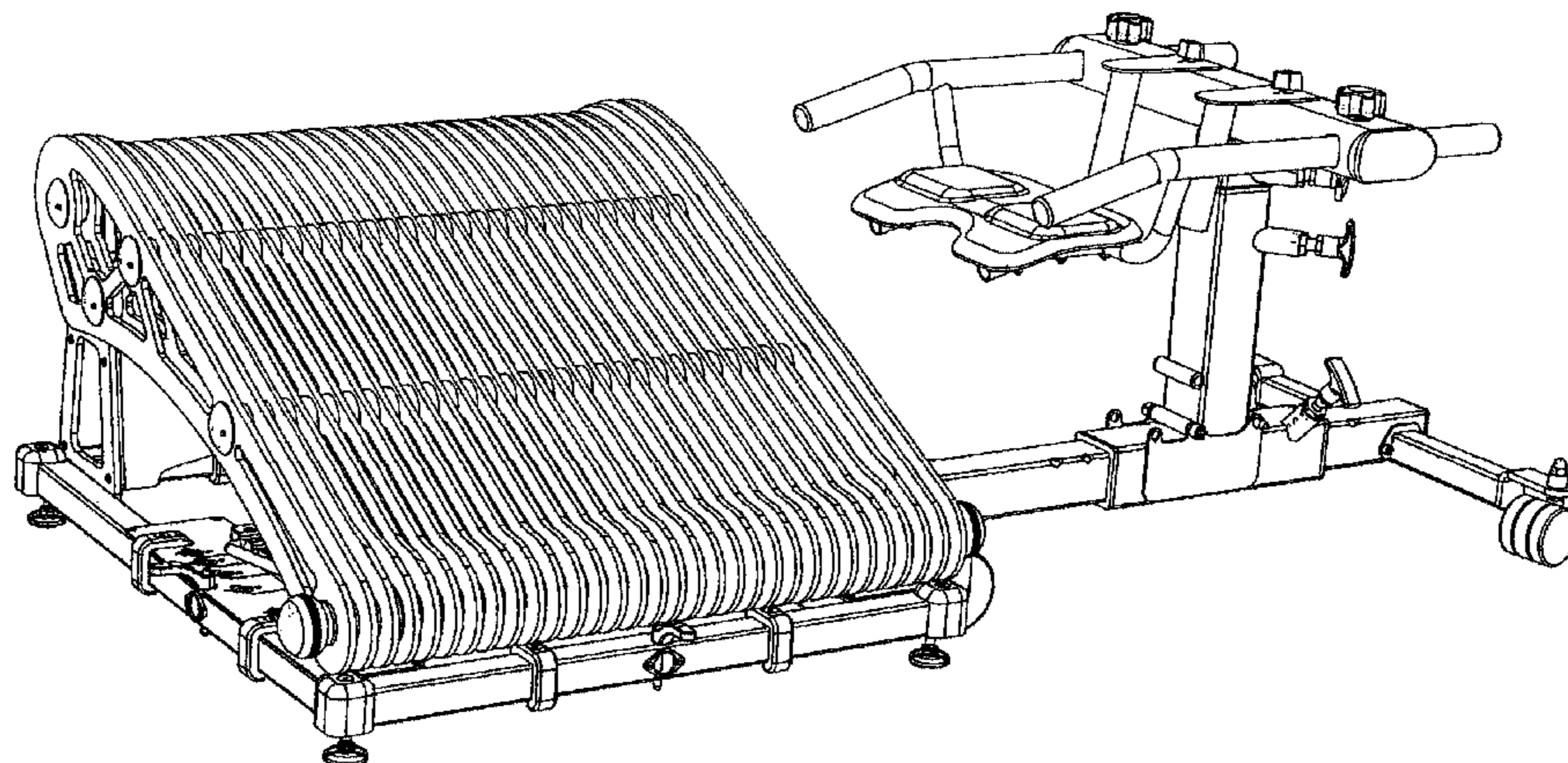


Fig. 1

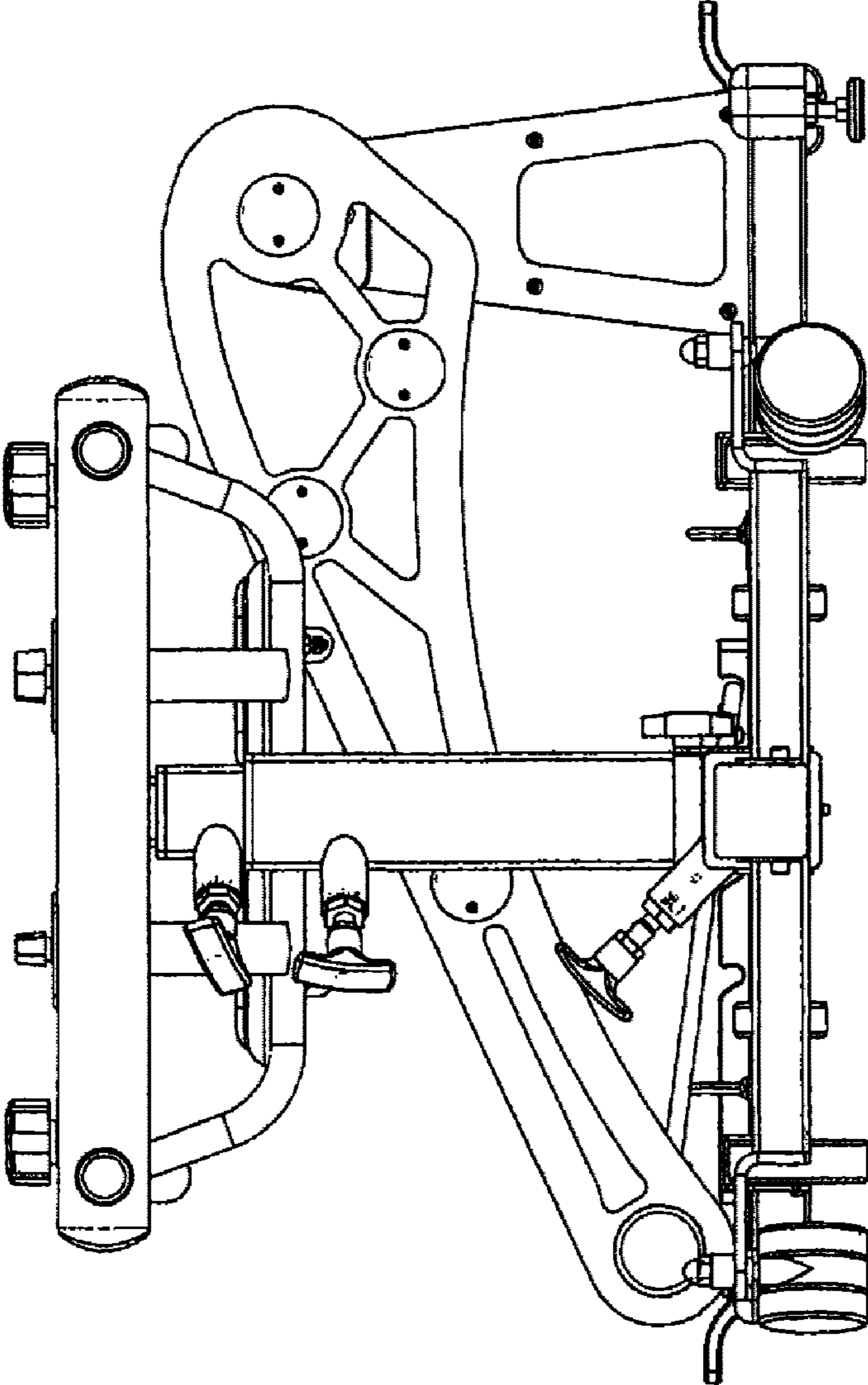


Fig. 2

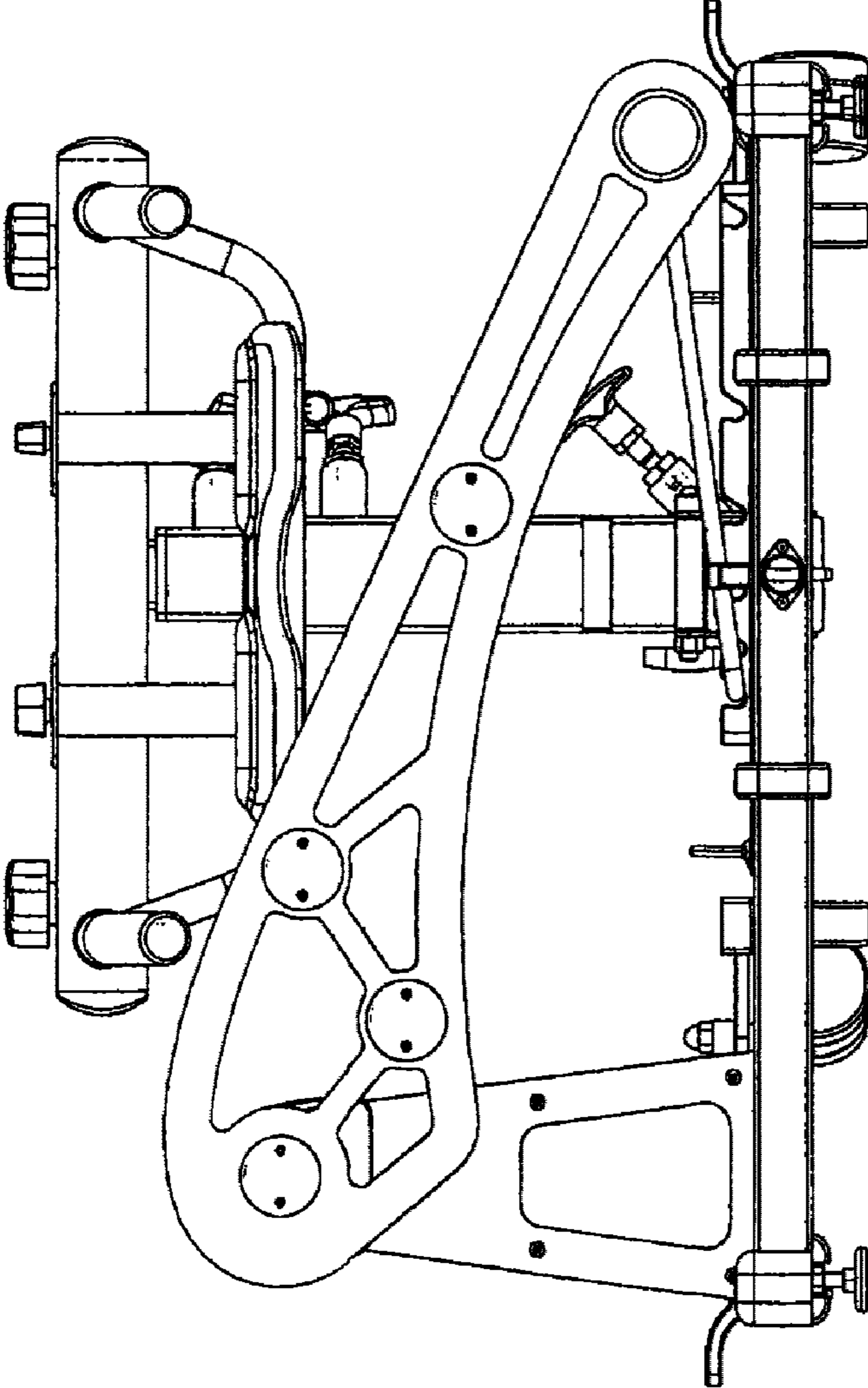


Fig. 3

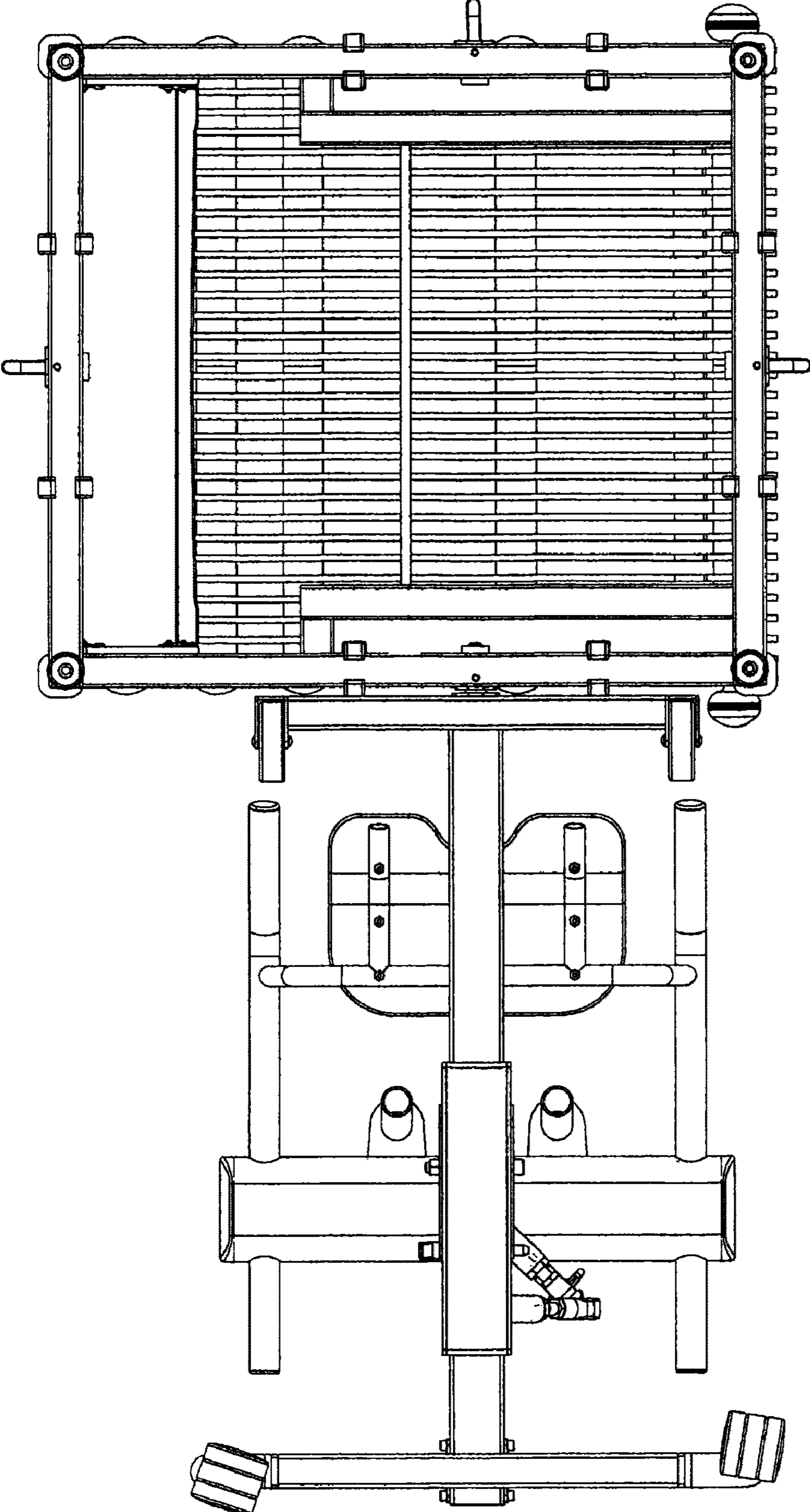


Fig. 4

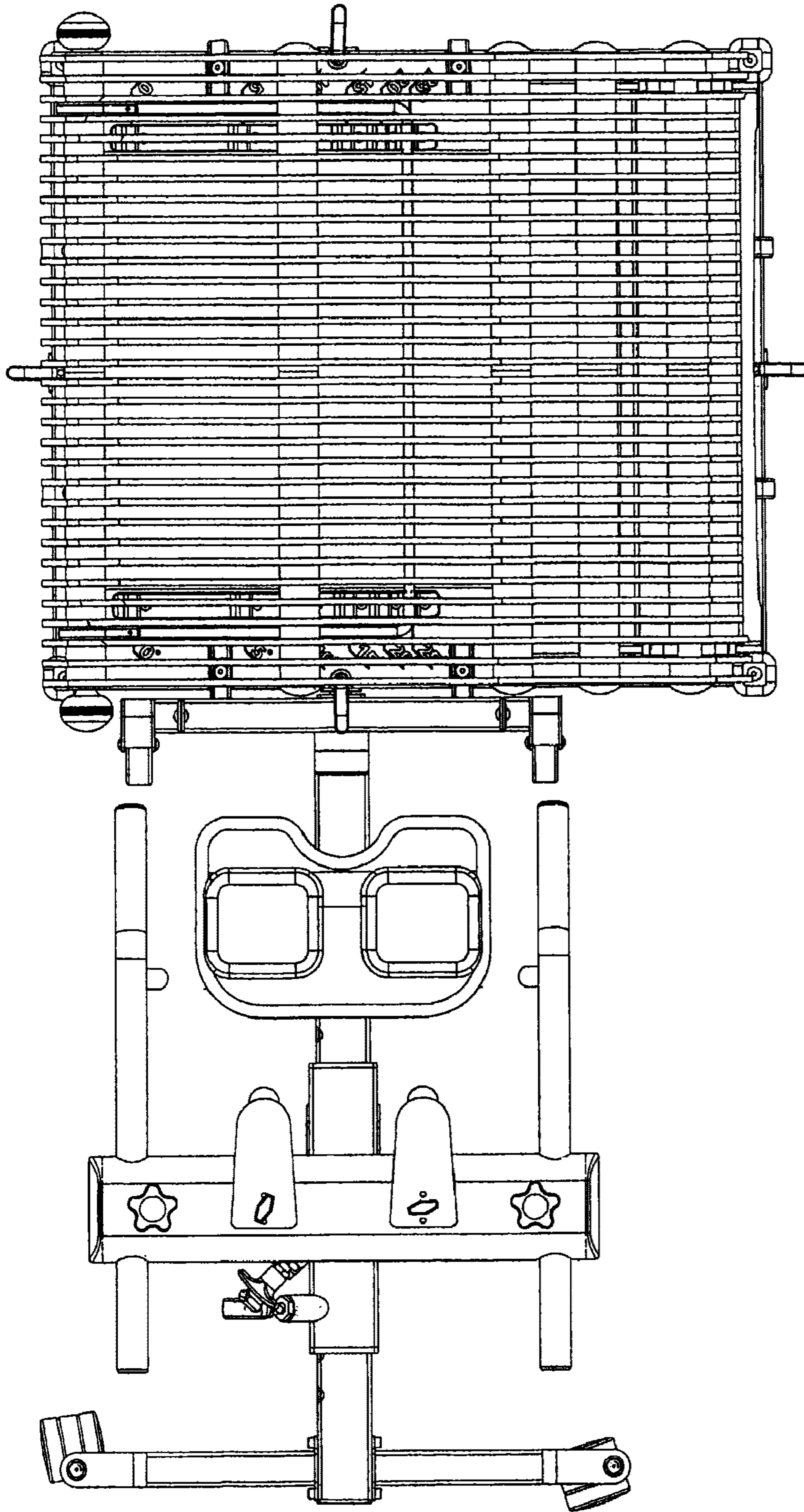


Fig. 5

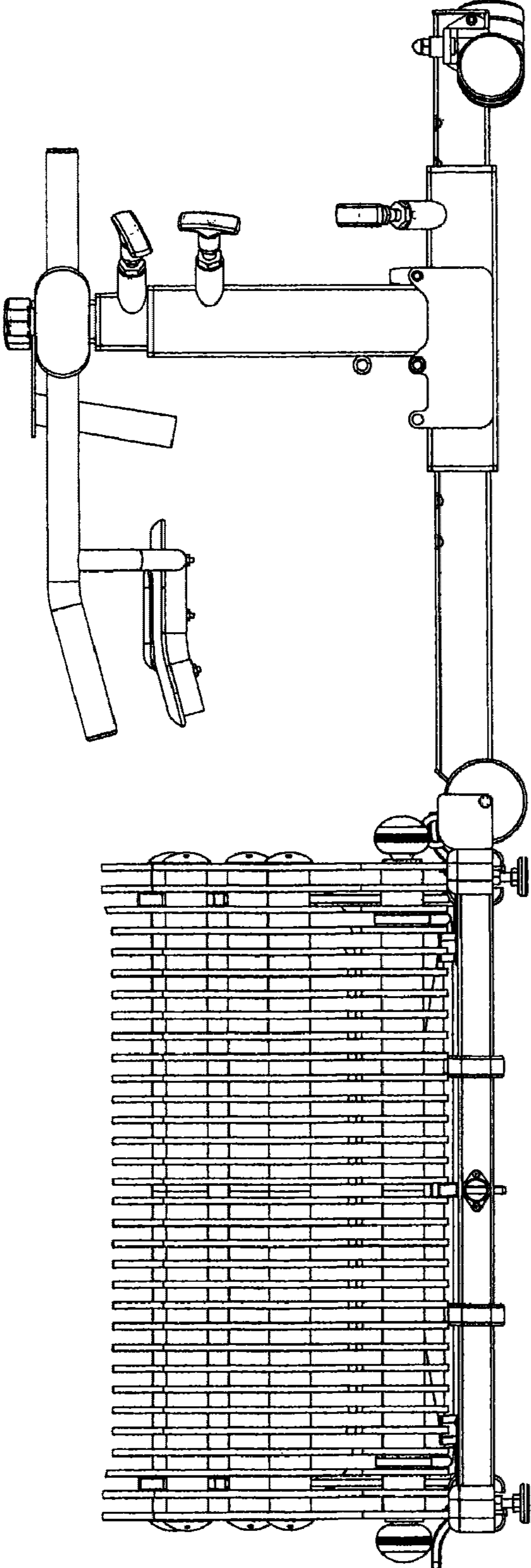


Fig. 6

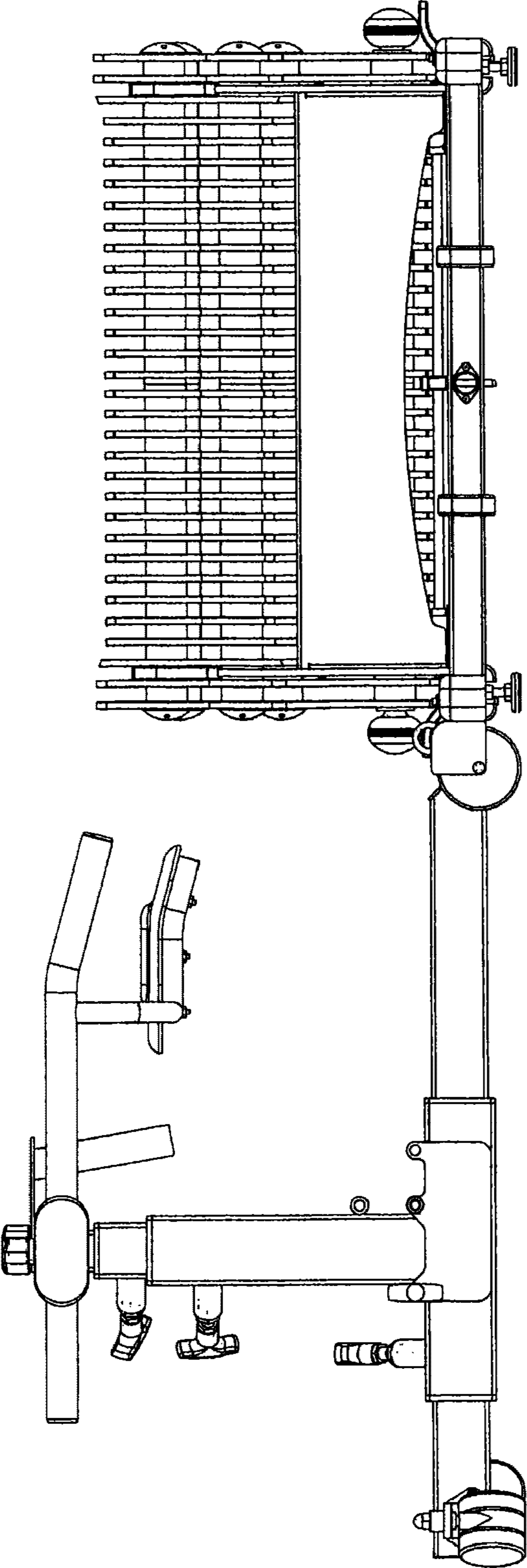


Fig. 7

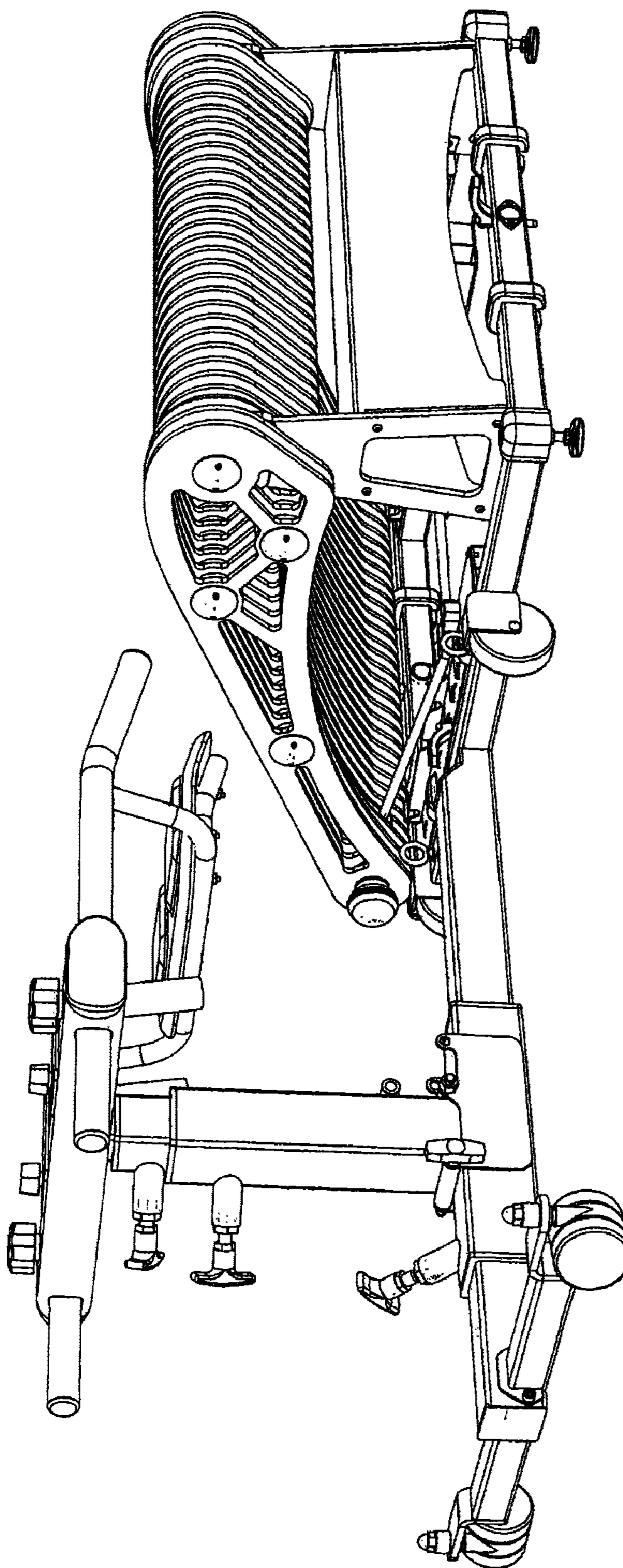


Fig. 8

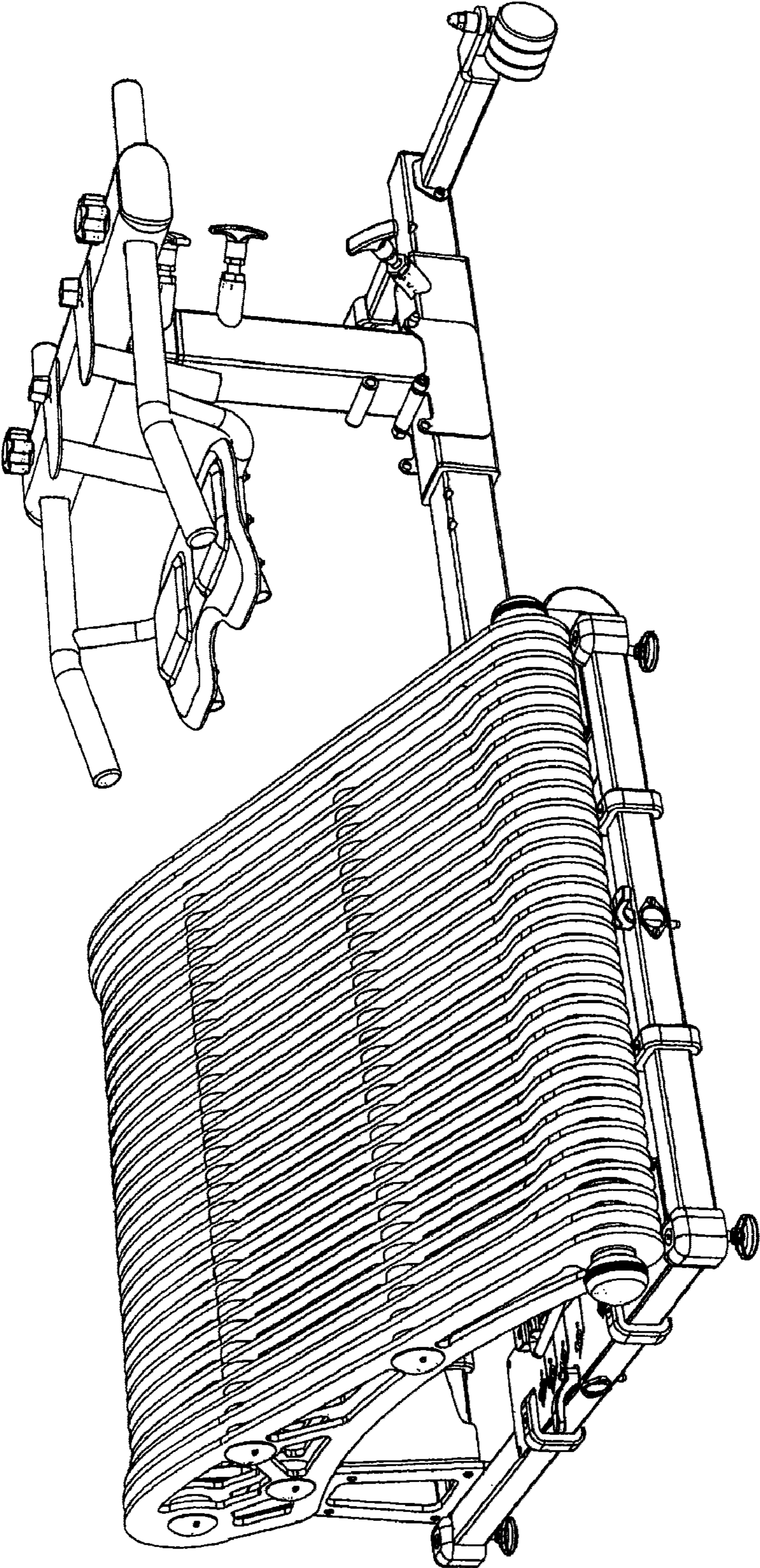


Fig. 9

