



US00D63882S

(12) **United States Design Patent**  
**Smith, III et al.**

(10) **Patent No.:** **US D638,882 S**  
(45) **Date of Patent:** **\*\* May 31, 2011**

(54) **VENDING MACHINE PRODUCT HOLDER**

(75) Inventors: **George W. Smith, III**, Barrington, IL (US); **Mark W. Sprenger**, Elk Grove Village, IL (US)

(73) Assignee: **Interactive Vending Corporation**, Barrington, IL (US)

(\*\*) Term: **14 Years**

(21) Appl. No.: **29/362,396**

(22) Filed: **May 25, 2010**

(51) **LOC (9) Cl.** ..... **20-01**

(52) **U.S. Cl.** ..... **D20/8**

(58) **Field of Classification Search** ..... D20/1-9, D20/99; 194/237, 292; 211/11, 54.1, 59.3; 221/10, 75, 92, 96, 104, 124, 126, 133, 151, 221/154, 155, 194, 312 A

See application file for complete search history.

(56) **References Cited**

U.S. PATENT DOCUMENTS

2,954,128	A *	9/1960	Gordon	.....	211/59.3
3,294,281	A	12/1966	Schlaf		
3,601,281	A	8/1971	Schlaf		
3,653,540	A	4/1972	Offutt		
3,690,510	A	9/1972	Deaton		
3,720,350	A	3/1973	Patrick		
3,731,841	A	5/1973	Schlaf		
3,737,071	A	6/1973	Offutt et al.		
3,773,217	A *	11/1973	Schlaf	.....	221/75
3,828,971	A	8/1974	Offutt et al.		
3,840,147	A	10/1974	O'Neal et al.		
3,986,637	A *	10/1976	Wittern et al.	.....	221/75
4,258,860	A	3/1981	Boettcher		
4,312,460	A *	1/1982	Boettcher	.....	221/75
4,363,422	A	12/1982	Boettcher		
4,436,194	A *	3/1984	Hanley	.....	194/292
4,638,922	A *	1/1987	Stoltz	.....	221/75

4,757,915	A	7/1988	Albright et al.		
4,762,250	A	8/1988	Friberg		
4,942,980	A	7/1990	Hellermann et al.		
5,070,986	A *	12/1991	Hoffman et al.	.....	194/237
5,186,355	A	2/1993	VonDelinde et al.		
5,307,941	A *	5/1994	Siegal	.....	211/11
6,158,598	A *	12/2000	Josefsson	.....	211/54.1
6,604,652	B1	8/2003	Trautwein		
6,971,543	B2	12/2005	Halliburton et al.		
7,066,348	B2 *	6/2006	Skavnak	.....	221/75
7,448,516	B2	11/2008	Davis et al.		
7,559,437	B2 *	7/2009	Colelli et al.	.....	221/312 A
2007/0199951	A1 *	8/2007	Levasseur	.....	221/124

\* cited by examiner

Primary Examiner — Mary Ann Calabrese

(74) Attorney, Agent, or Firm — K&L Gates LLP

(57) **CLAIM**

The ornamental design for a vending machine product holder, as shown and described.

**DESCRIPTION**

FIG. 1 is a front perspective view of a vending machine product holder of our new design.

FIG. 2 is a left side view of the vending machine product holder of FIG. 1.

FIG. 3 is a right side view of the vending machine product holder of FIG. 1.

FIG. 4 is a top view of the vending machine product holder of FIG. 1.

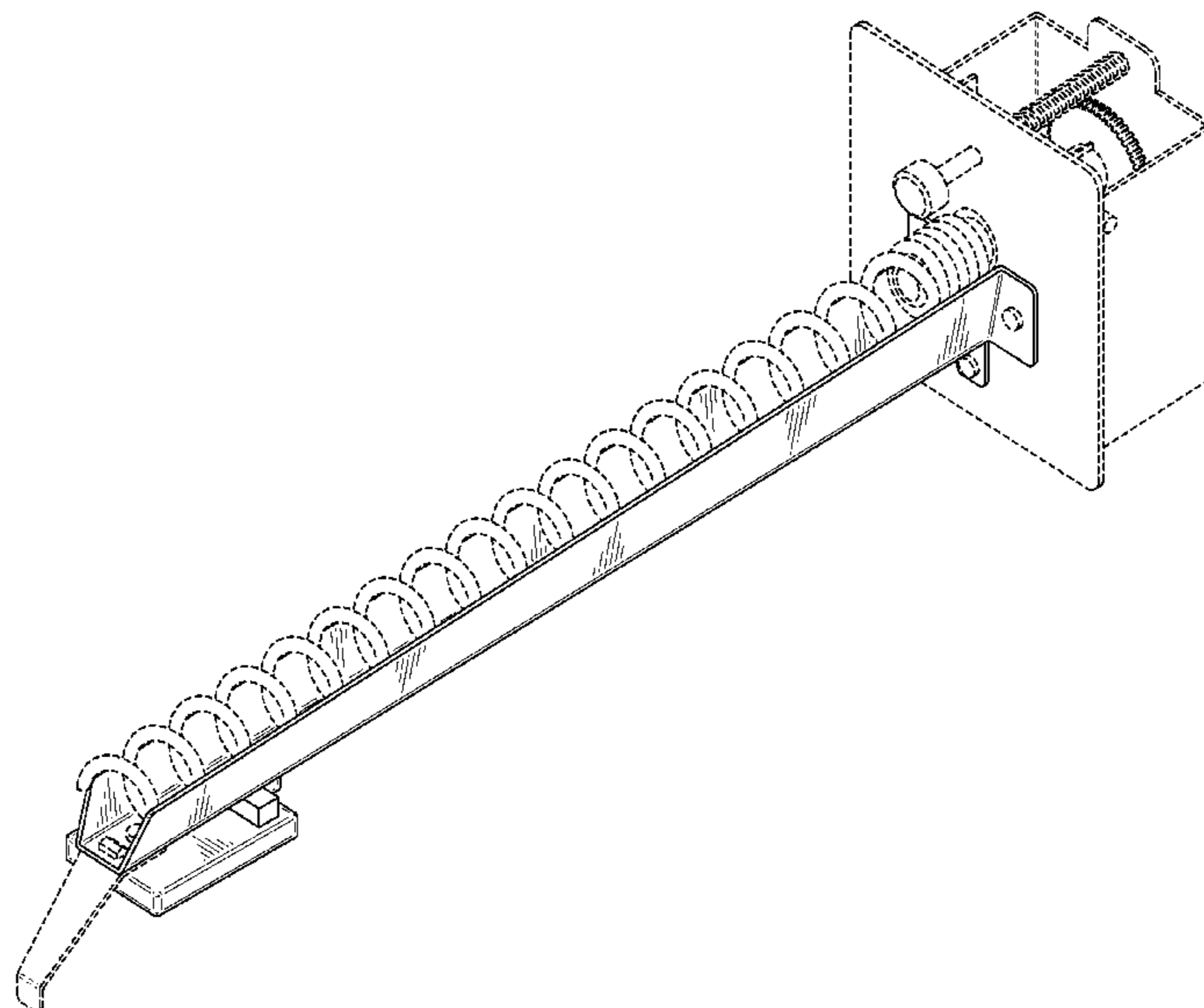
FIG. 5 is a bottom view of the vending machine product holder of FIG. 1.

FIG. 6 is a front view of the vending machine product holder of FIG. 1; and,

FIG. 7 is a rear view of the vending machine product holder of FIG. 1.

The portion shown in broken lines are not part of the claimed design and are provided for environmental purposes only.

**1 Claim, 6 Drawing Sheets**



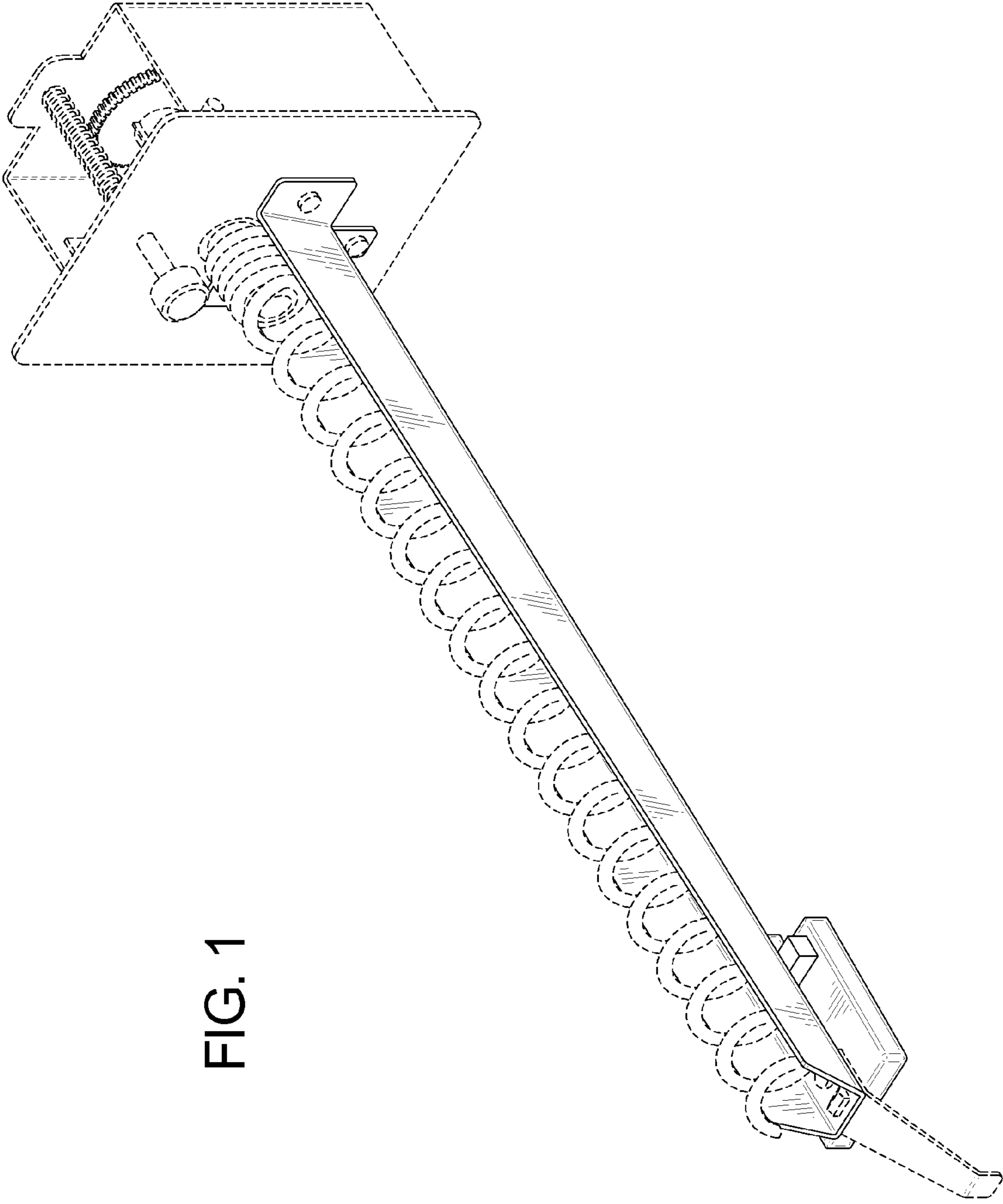


FIG. 1

FIG. 2

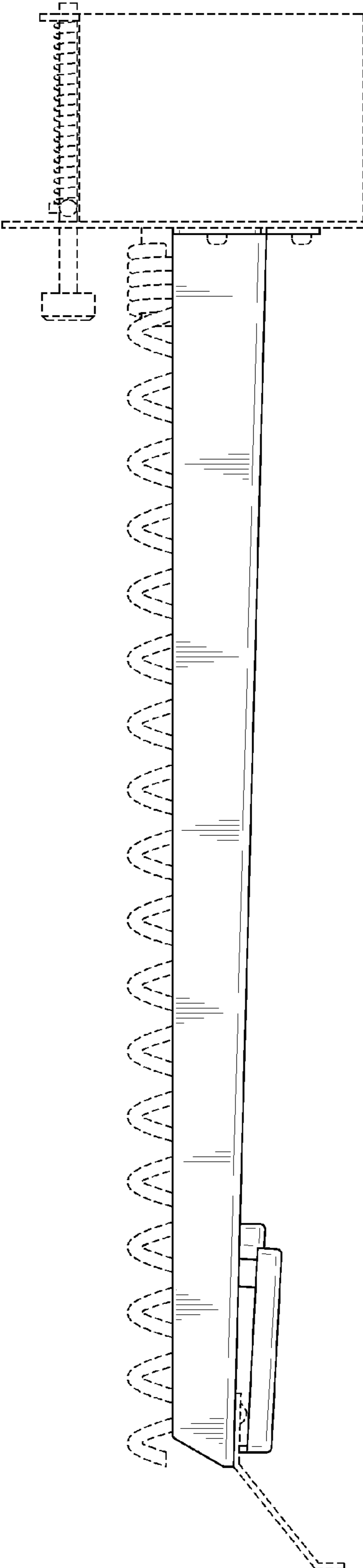
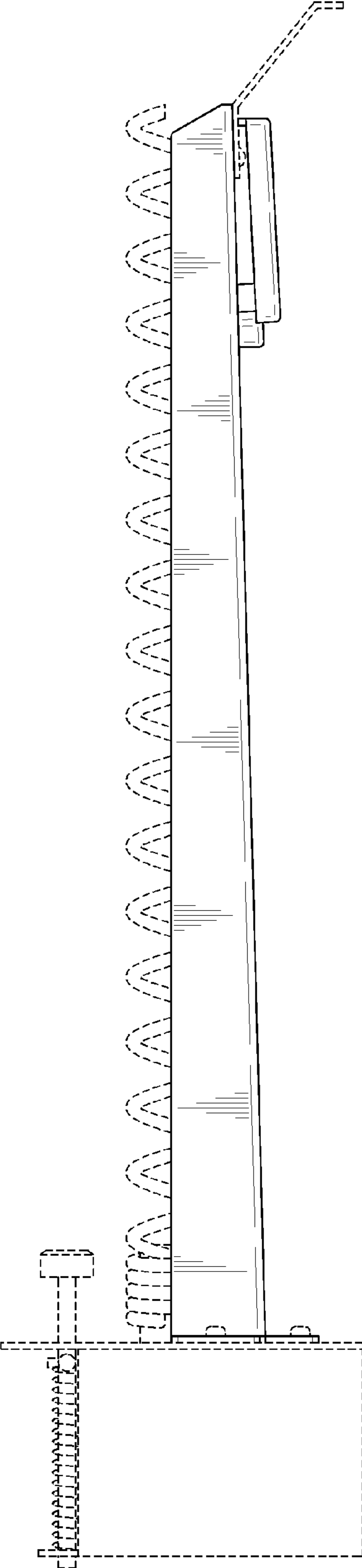


FIG. 3



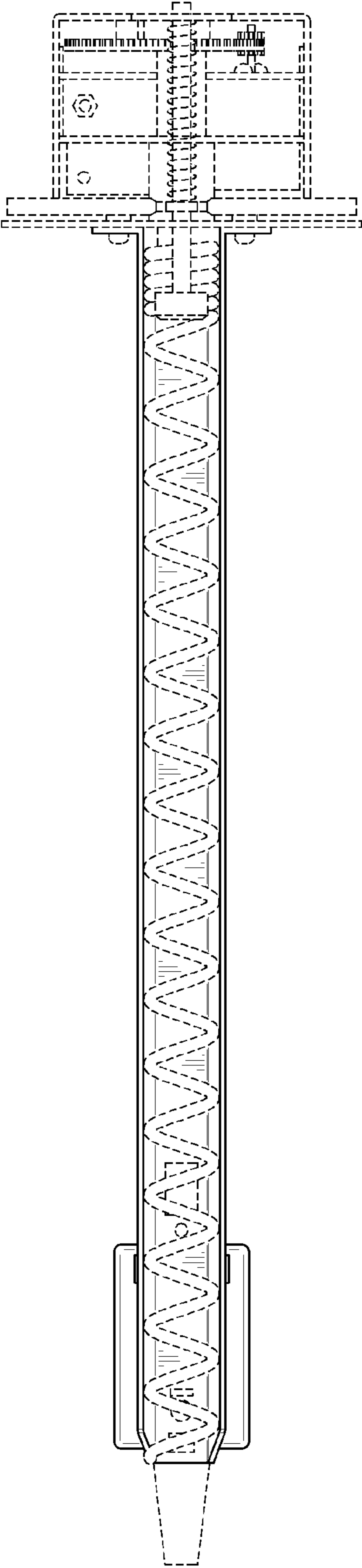


FIG. 4

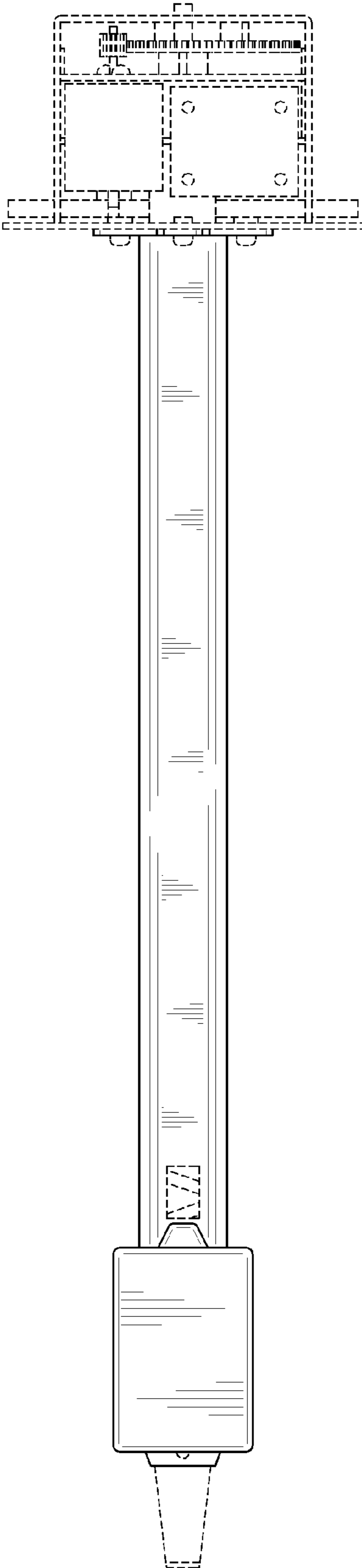


FIG. 5

FIG. 6

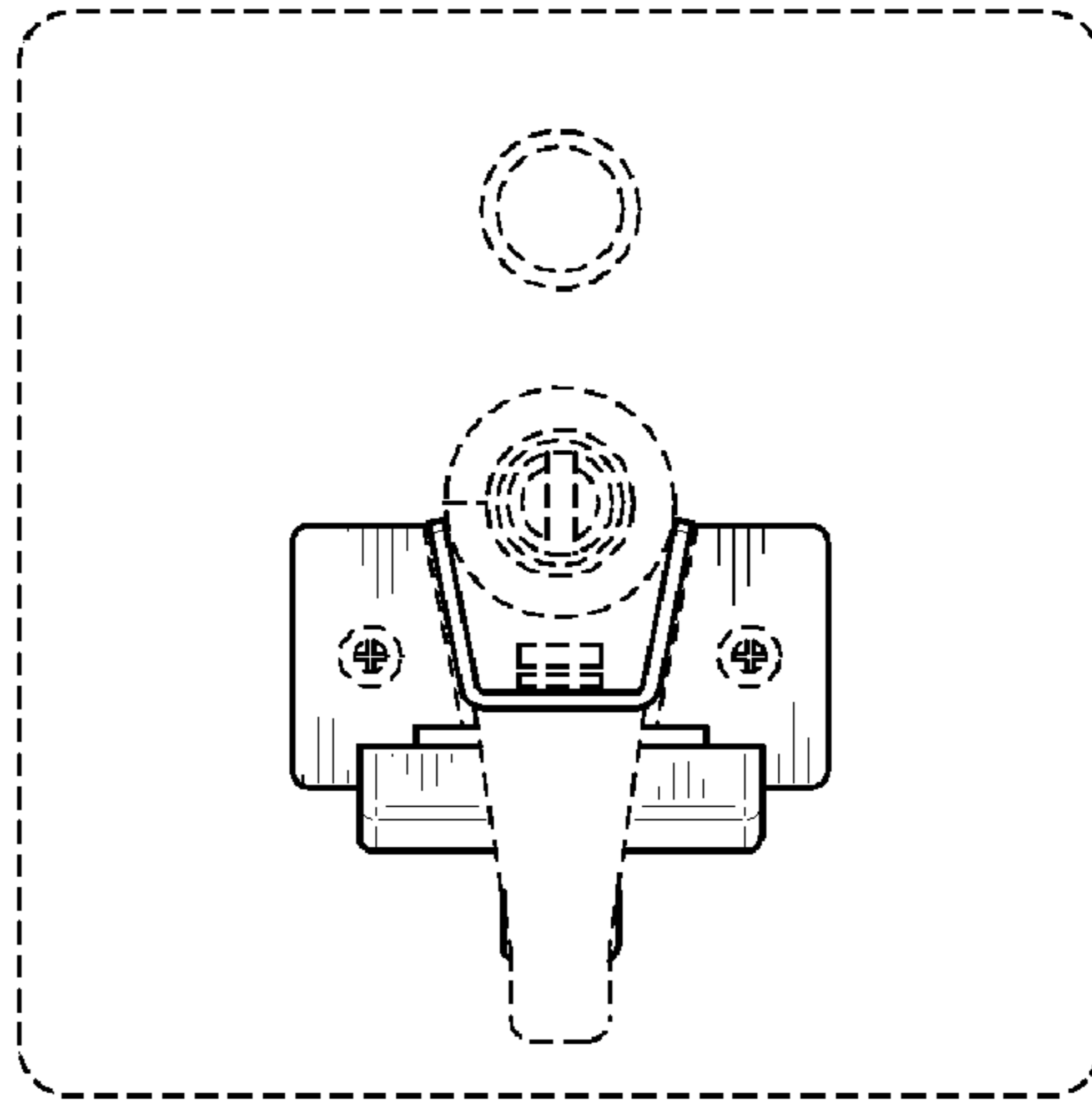


FIG. 7

