



US00D638879S

(12) **United States Design Patent**  
**Suto et al.**

(10) **Patent No.:** **US D638,879 S**

(45) **Date of Patent:** **\*\* May 31, 2011**

(54) **AUTOMOBILE DRIVING SIMULATOR**

(75) Inventors: **Shinji Suto**, Wako (JP); **Kyota Yoshizawa**, Wako (JP); **Takashi Fukasawa**, Wako (JP); **Fumiya Uchikanezaki**, Wako (JP)

(73) Assignee: **Honda Motor Co., Ltd.**, Tokyo (JP)

(\*\*) Term: **14 Years**

(21) Appl. No.: **29/364,026**

(22) Filed: **Jun. 17, 2010**

(51) **LOC (9) Cl.** ..... **19-07**

(52) **U.S. Cl.** ..... **D19/63**

(58) **Field of Classification Search** ..... D21/477,  
D21/326, 548; 434/58-70, 29, 30; D14/372;  
297/217.7; 348/121, 218.1, 36; 446/454,  
446/7; 472/135; 703/8; D19/59-64

See application file for complete search history.

(56) **References Cited**

**U.S. PATENT DOCUMENTS**

2,091,154	A *	8/1937	Matzner	.....	434/67
2,814,131	A *	11/1957	Sheppard	.....	434/64
D266,008	S *	8/1982	Klawitter	.....	D19/63
D266,097	S *	9/1982	Klawitter	.....	D21/477
4,464,117	A *	8/1984	Foerst	.....	434/67
5,015,189	A *	5/1991	Wenzinger, Jr.	.....	434/63
D338,050	S *	8/1993	Holmes	.....	D14/372
5,399,091	A *	3/1995	Mitsumoto	.....	434/61
D407,759	S	4/1999	Isetani et al.		
5,915,786	A *	6/1999	Kotani	.....	297/217.7
D500,098	S *	12/2004	Doi	.....	D21/477
7,033,177	B2 *	4/2006	Kim	.....	434/58

D531,221	S	10/2006	Shiraishi		
D531,670	S	11/2006	Shiraishi		
D545,369	S *	6/2007	Scharfetter	.....	D19/63
D558,829	S *	1/2008	Soodeen et al.	.....	D19/63
D558,830	S *	1/2008	Soodeen et al.	.....	D19/63

**FOREIGN PATENT DOCUMENTS**

JP	D1026901	S	12/1998
JP	D1076936	S	7/2000
JP	D1101243	S	2/2001
JP	D1133150	S	2/2002
JP	D1153047	S	9/2002
JP	D1265048	S	3/2006

\* cited by examiner

*Primary Examiner* — T. Chase Nelson

*Assistant Examiner* — Mark Cavanna

(74) *Attorney, Agent, or Firm* — Westerman, Hattori, Daniels & Adrian, LLP

(57) **CLAIM**

The ornamental design for an automobile driving simulator, as shown and described.

**DESCRIPTION**

FIG. 1 is a left front perspective view of the automobile driving simulator showing our new design; FIG. 2 is a right front perspective view thereof; FIG. 3 is a front elevational view thereof; FIG. 4 is a rear elevational view thereof; FIG. 5 is a top plan view thereof; FIG. 6 is a left side elevational view thereof; and, FIG. 7 is a right side elevational view thereof. The broken lines illustrate environmental structure and form no part of the claimed design.

**1 Claim, 4 Drawing Sheets**

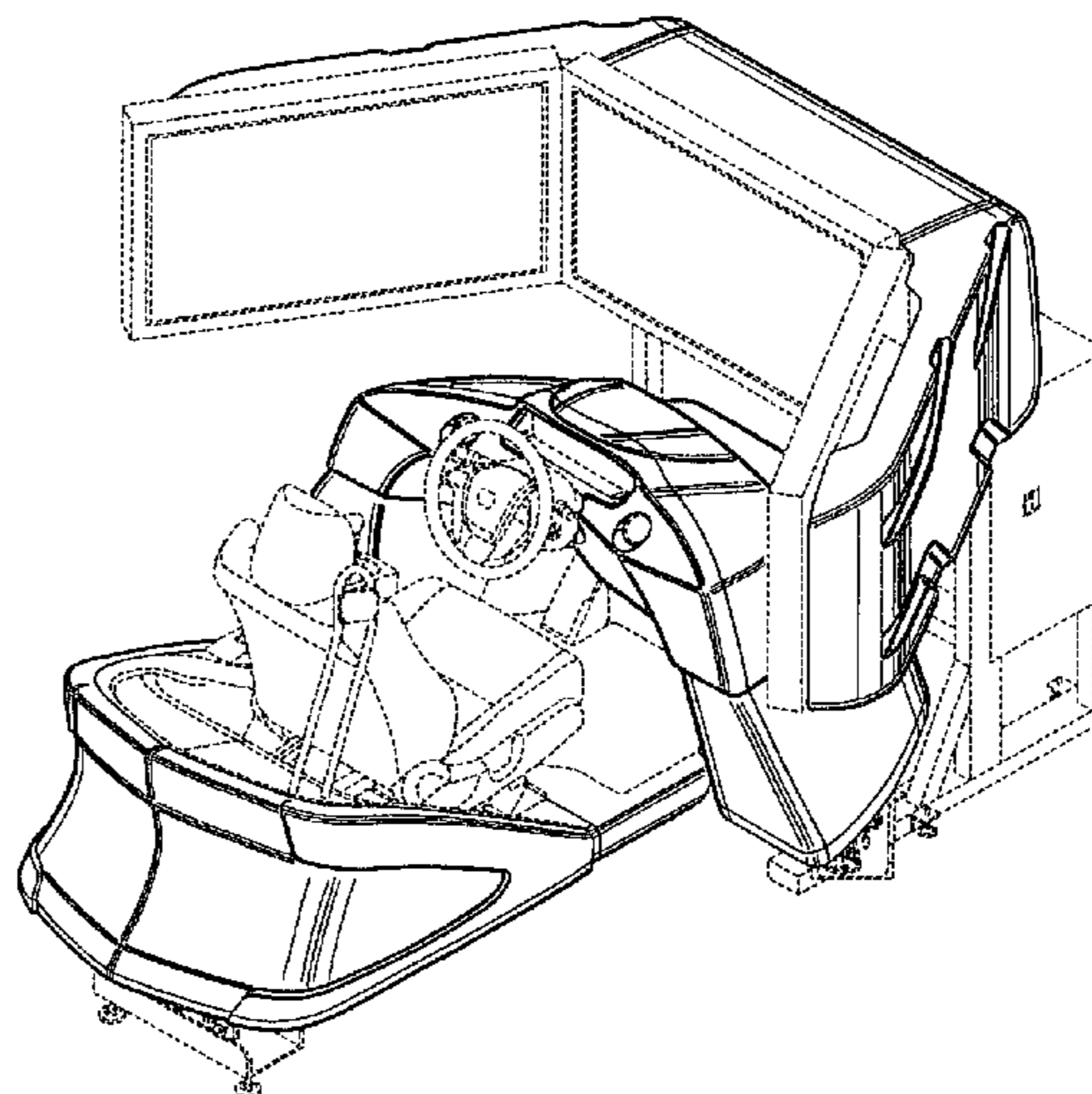
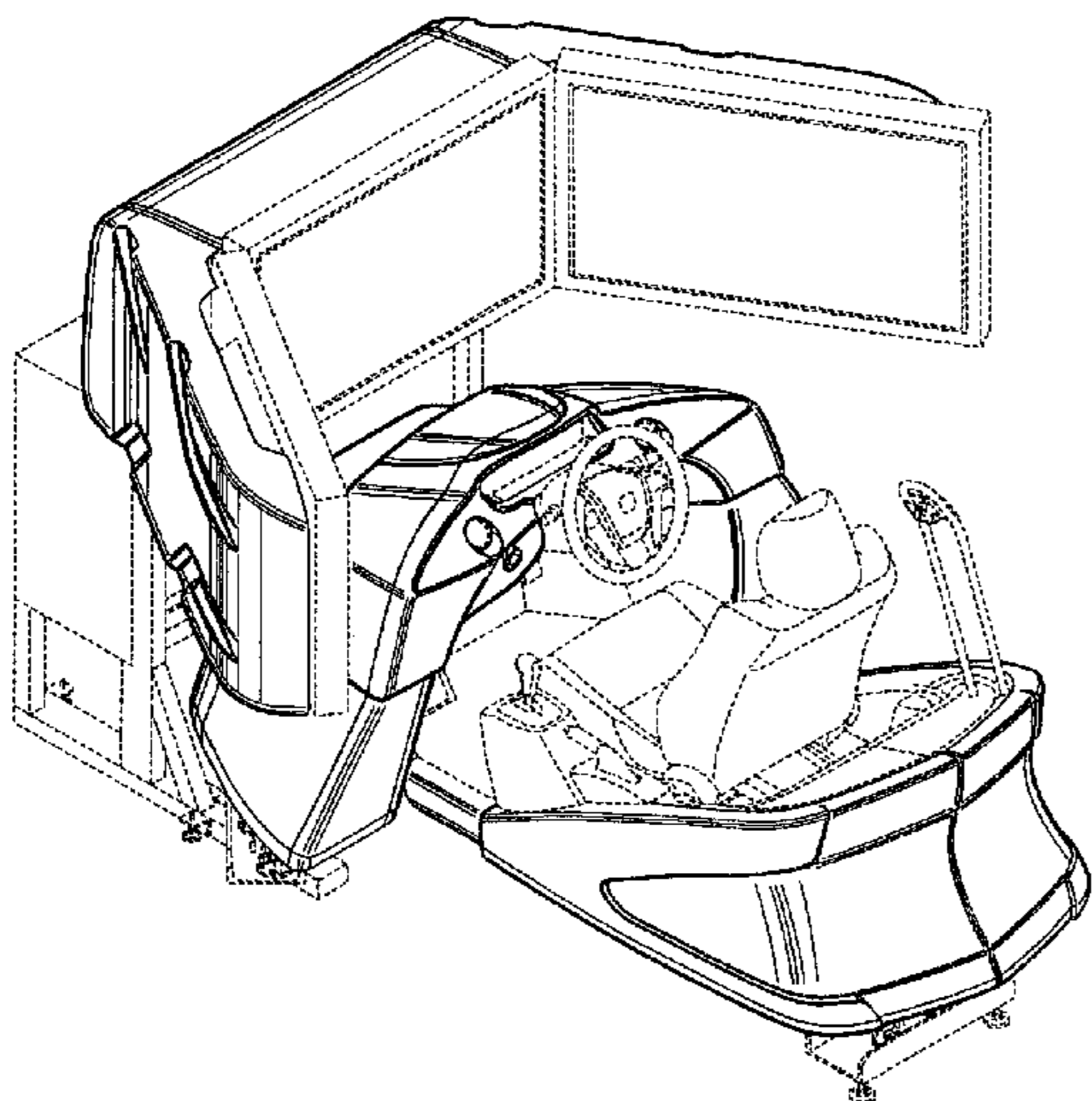


FIG.1

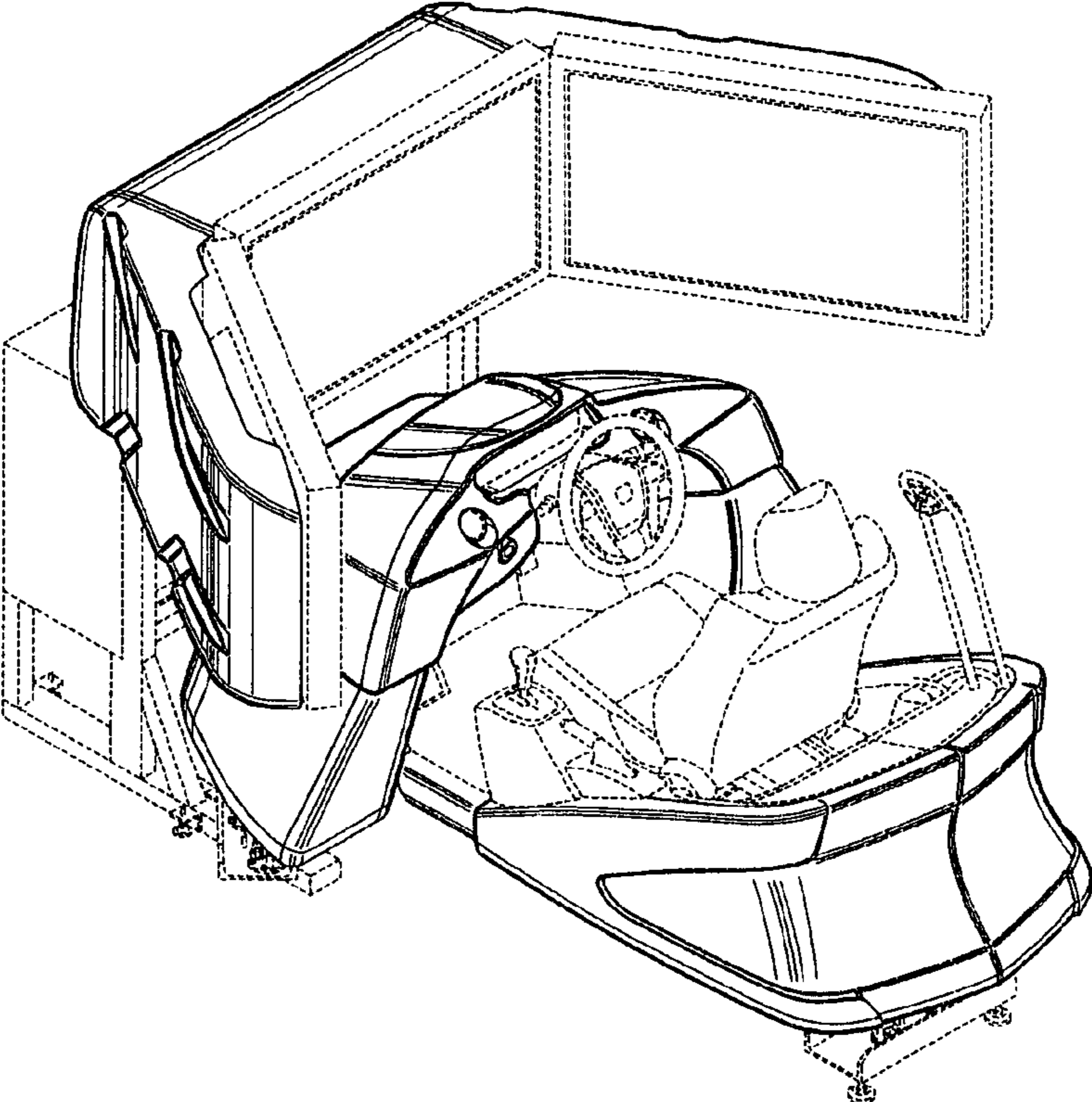


FIG.2

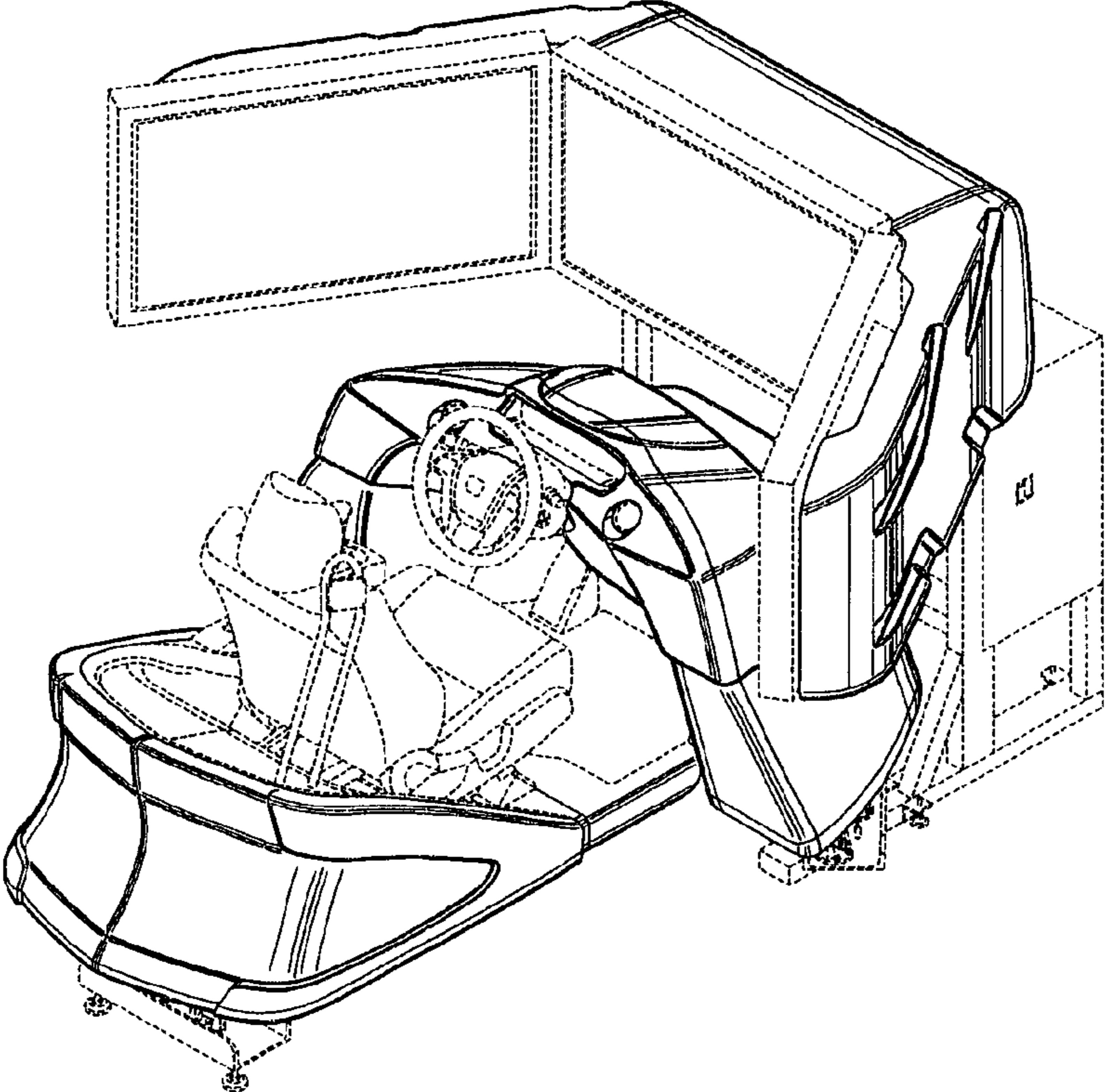




FIG.3

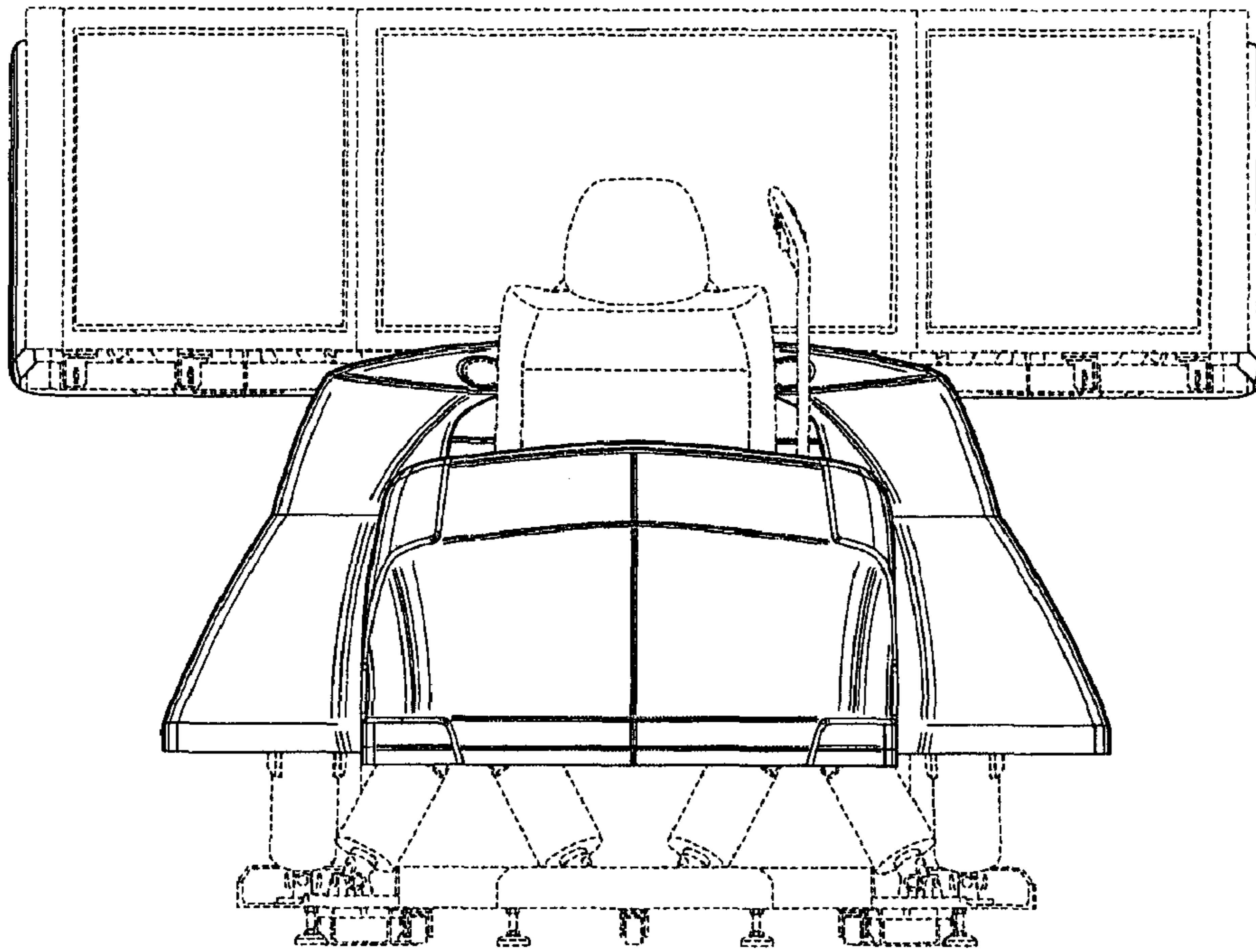


FIG.4

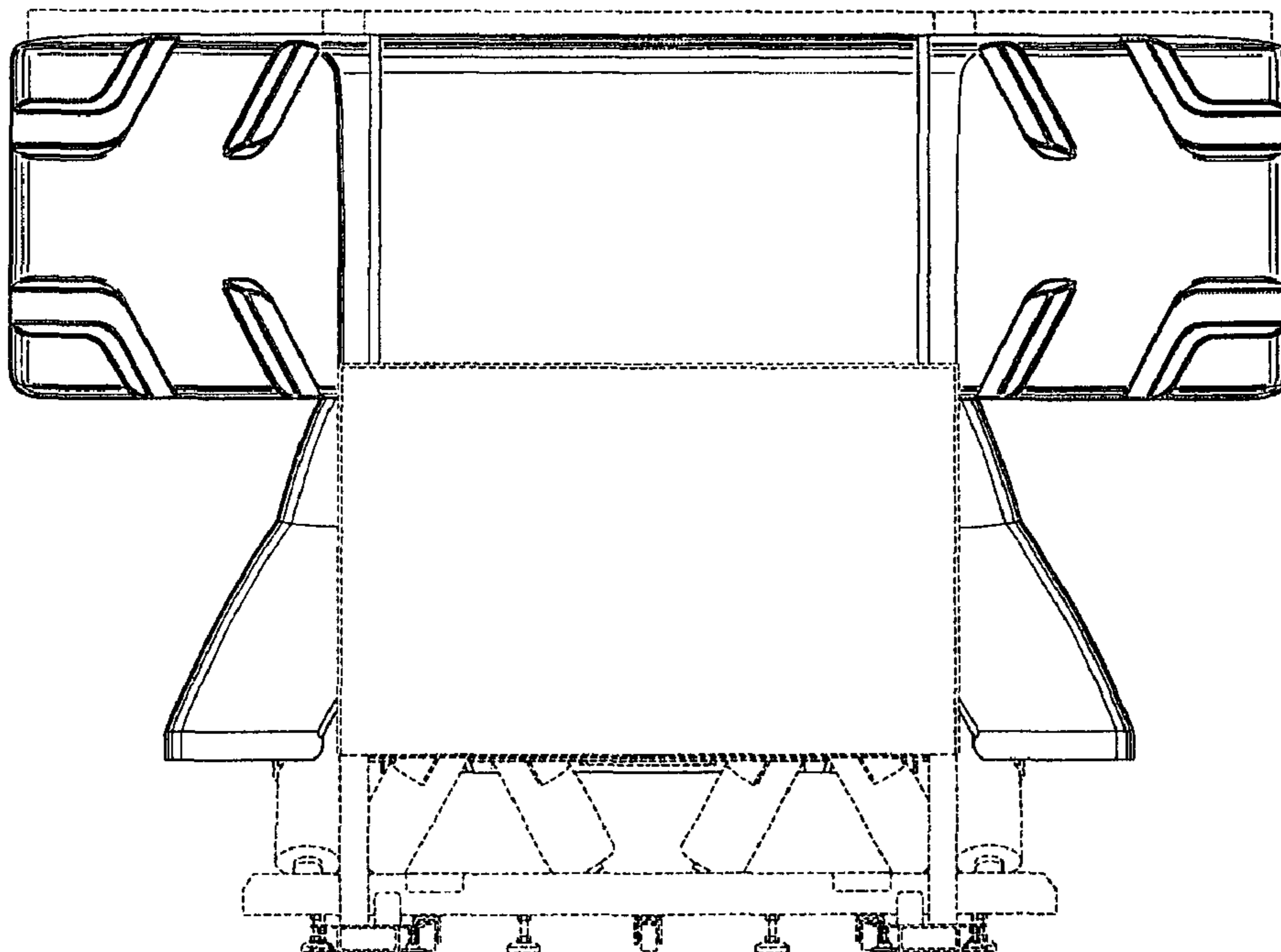


FIG.5

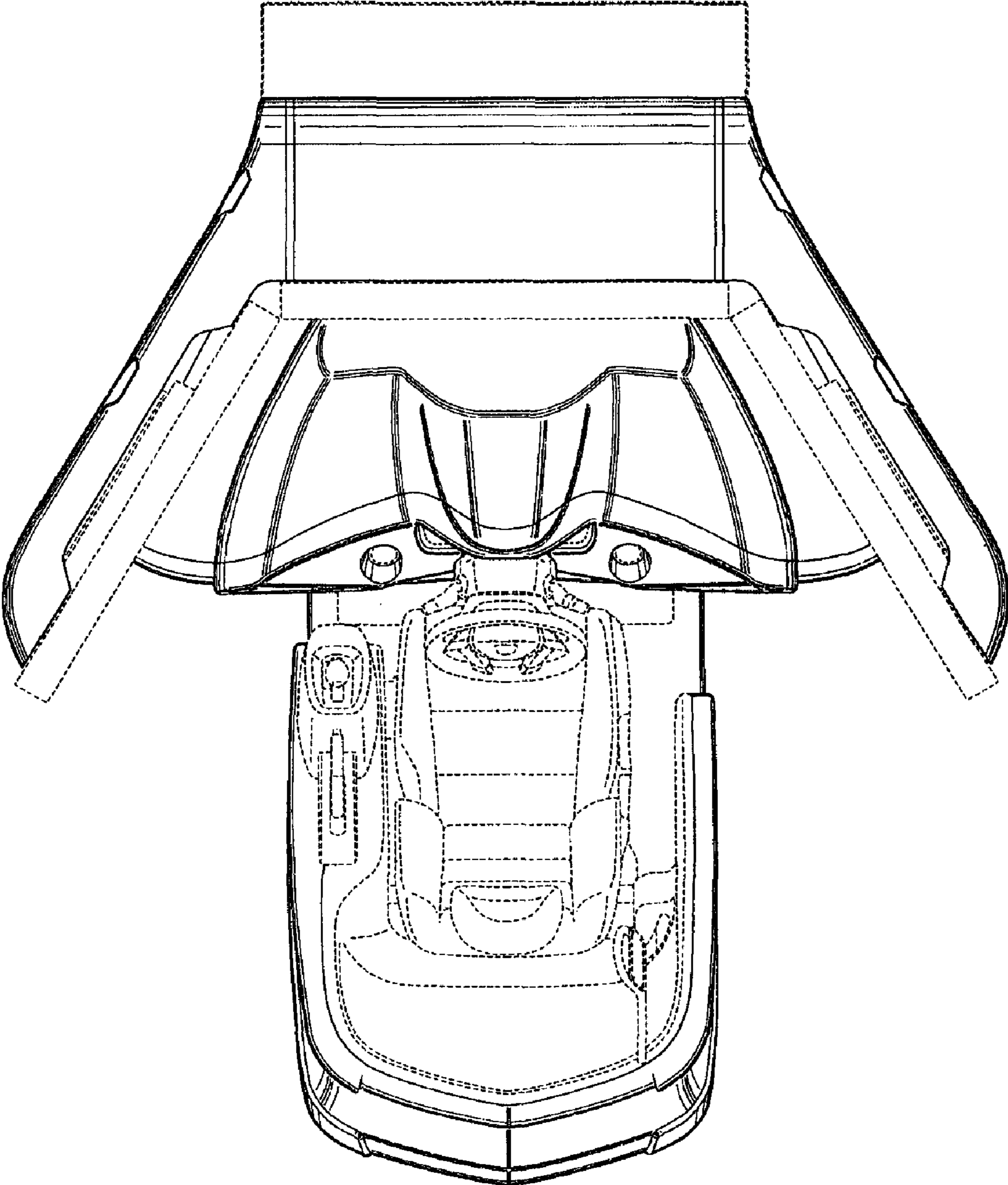


FIG.6

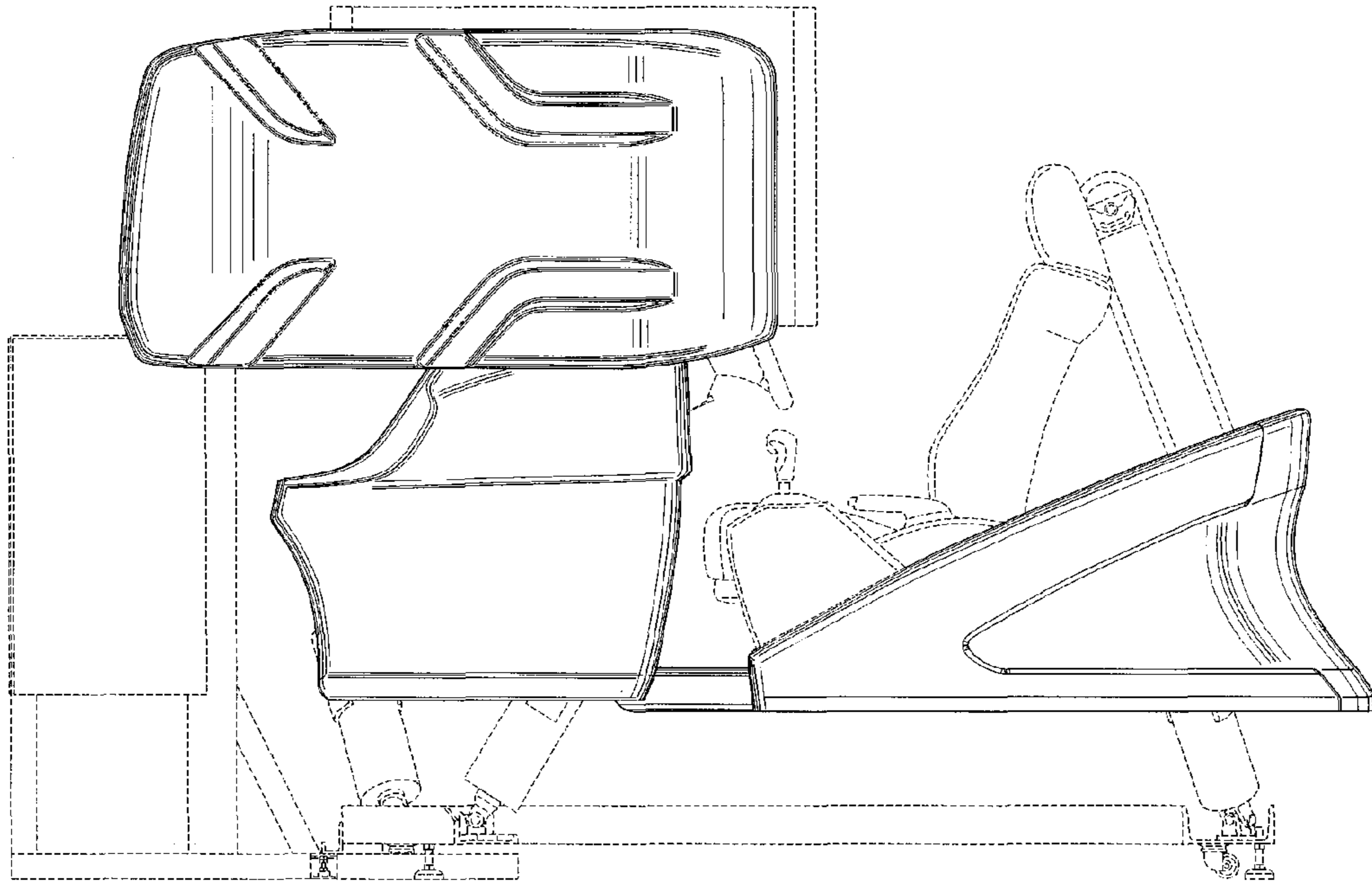


FIG.7

