



US00D638872S

(12) **United States Design Patent**
Kao

(10) **Patent No.:** **US D638,872 S**

(45) **Date of Patent:** **** May 31, 2011**

(54) **MICRO PROJECTOR**

(75) Inventor: **Hsing-Yi Kao**, Tu-Cheng (TW)

(73) Assignee: **Cheng Uei Precision Industry Co., Ltd.**, Tu-Cheng, Taipei Hsien (TW)

(**) Term: **14 Years**

(21) Appl. No.: **29/368,844**

(22) Filed: **Aug. 30, 2010**

(51) **LOC (9) Cl.** **16-02**

(52) **U.S. Cl.** **D16/230; D16/225**

(58) **Field of Classification Search** D16/205,
D16/208, 213, 221, 225, 230-231, 234; D21/514;
353/39, 115, 119, 122; D14/188, 420, 426
See application file for complete search history.

(56) **References Cited**

U.S. PATENT DOCUMENTS

D245,701 S *	9/1977	Kinsinger	D16/221
D400,904 S *	11/1998	Calello	D16/225
D520,045 S *	5/2006	Han et al.	D16/230
7,070,285 B2 *	7/2006	Wu	353/122
D571,390 S *	6/2008	Yamada et al.	D16/230
D582,385 S *	12/2008	Sanguinetti	D14/188
D598,944 S *	8/2009	Collet et al.	D16/221

D599,834 S *	9/2009	Cheng et al.	D16/229
D602,969 S *	10/2009	Collet et al.	D16/221
D626,986 S *	11/2010	Chen	D16/230

OTHER PUBLICATIONS

Google Image Result for http://img.alibaba.com/photo/257206683/Micro_Projector.jpg. 2 pages. Viewed on Jan. 3, 2011.*

* cited by examiner

Primary Examiner — Ian Simmons

Assistant Examiner — Wan Laymon

(74) *Attorney, Agent, or Firm* — Cheng-Ju Chiang

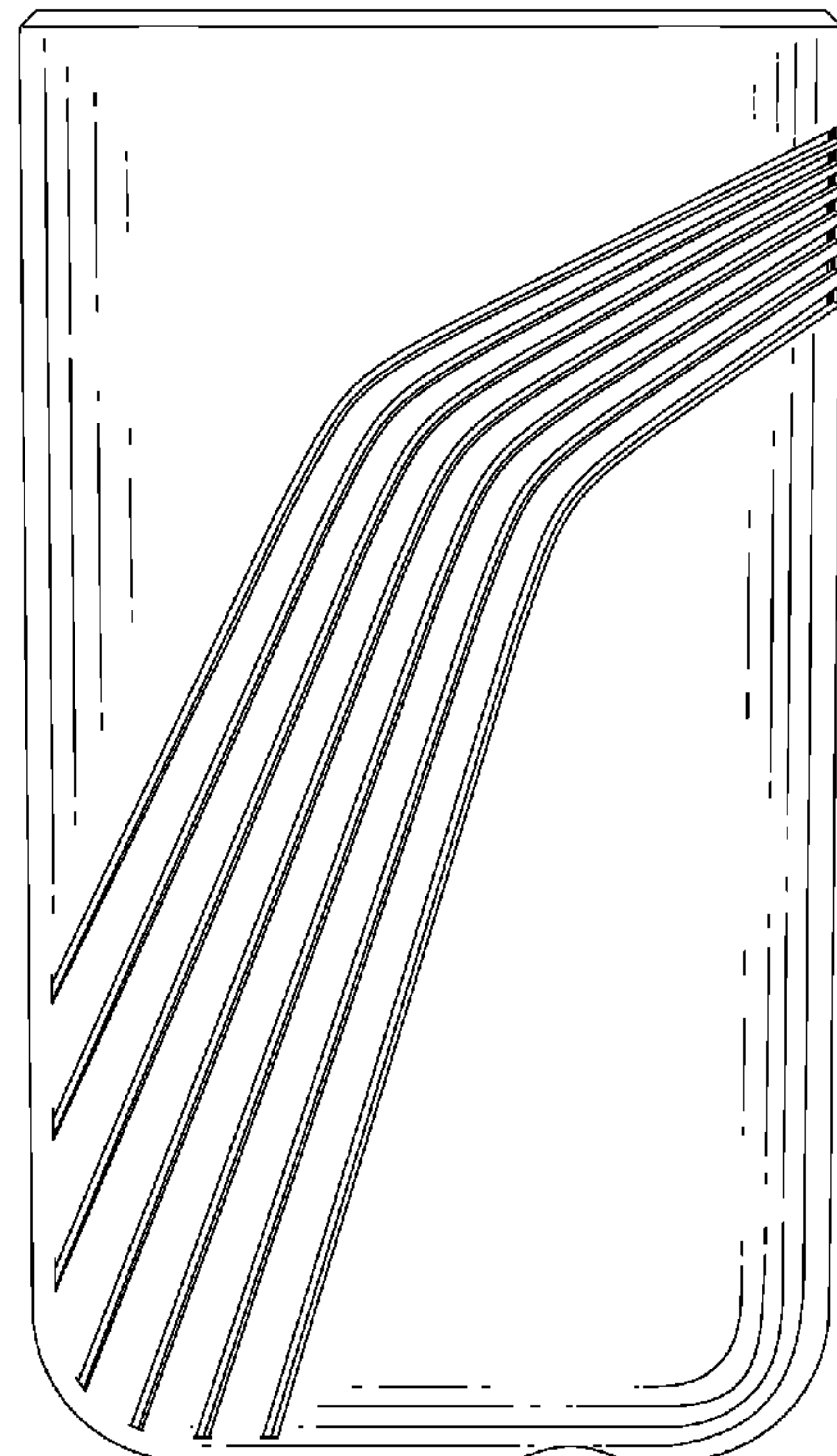
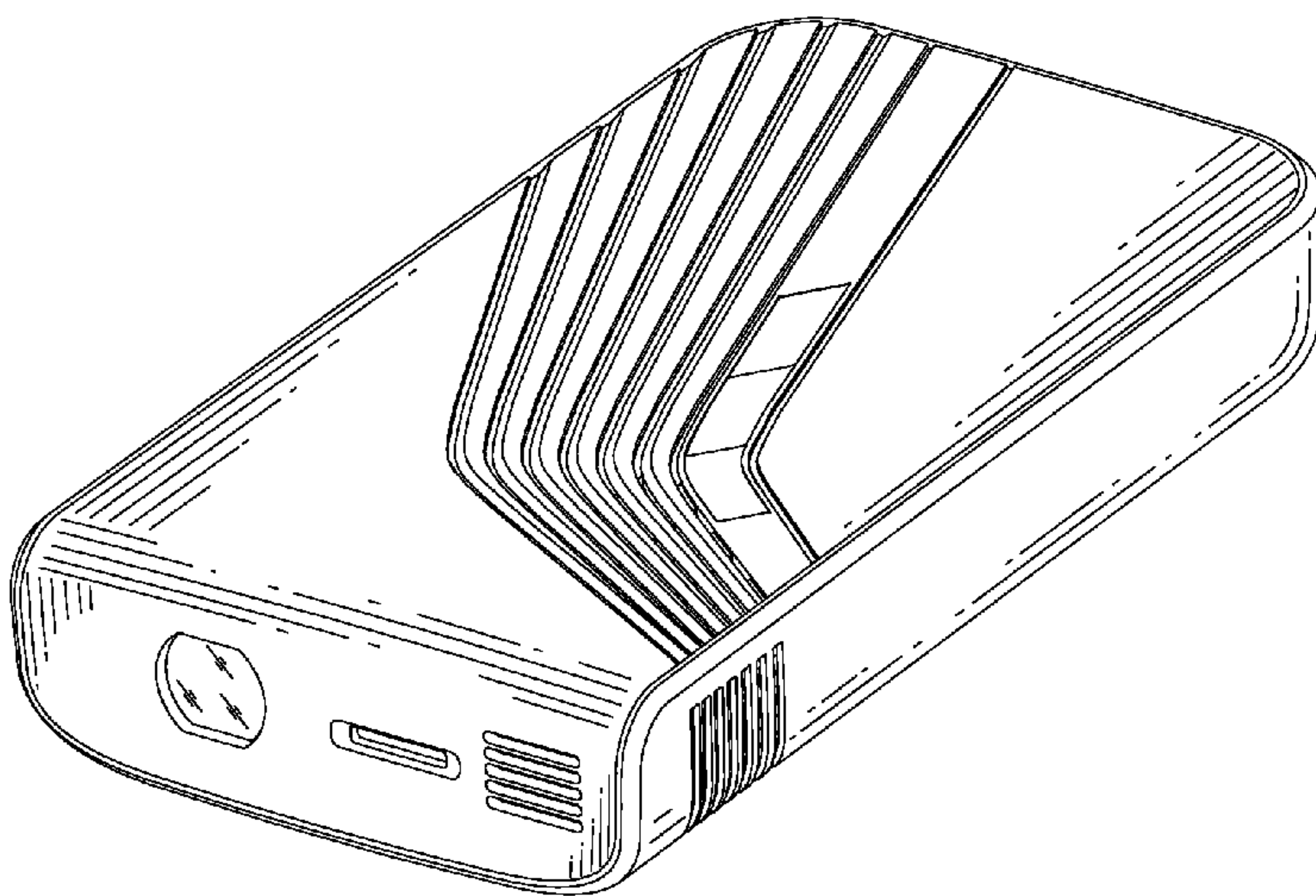
(57) **CLAIM**

The ornamental design for a micro projector, as shown and described.

DESCRIPTION

FIG. 1 is a perspective view of a micro projector showing my new design;
FIG. 2 is a front elevational view thereof;
FIG. 3 is a rear elevational view thereof;
FIG. 4 is a left side elevational view thereof;
FIG. 5 is a right side elevational view thereof;
FIG. 6 is a top plan view thereof; and,
FIG. 7 is a bottom plan view thereof.
The broken lines shown the circle and the square in FIG. 3 indicate the boundary of the claimed design; the broken lines form no part of the claimed design.

1 Claim, 7 Drawing Sheets



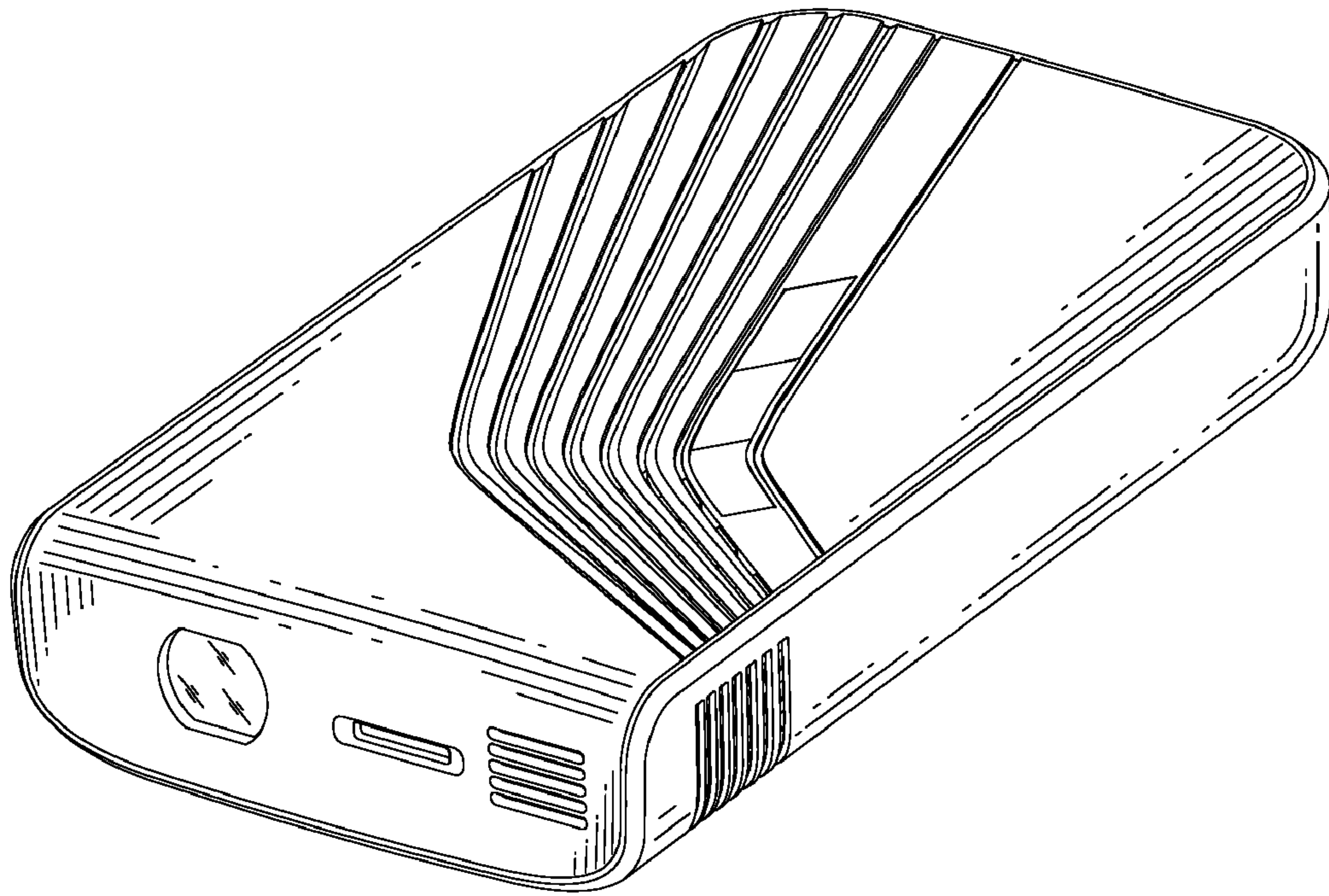


FIG. 1

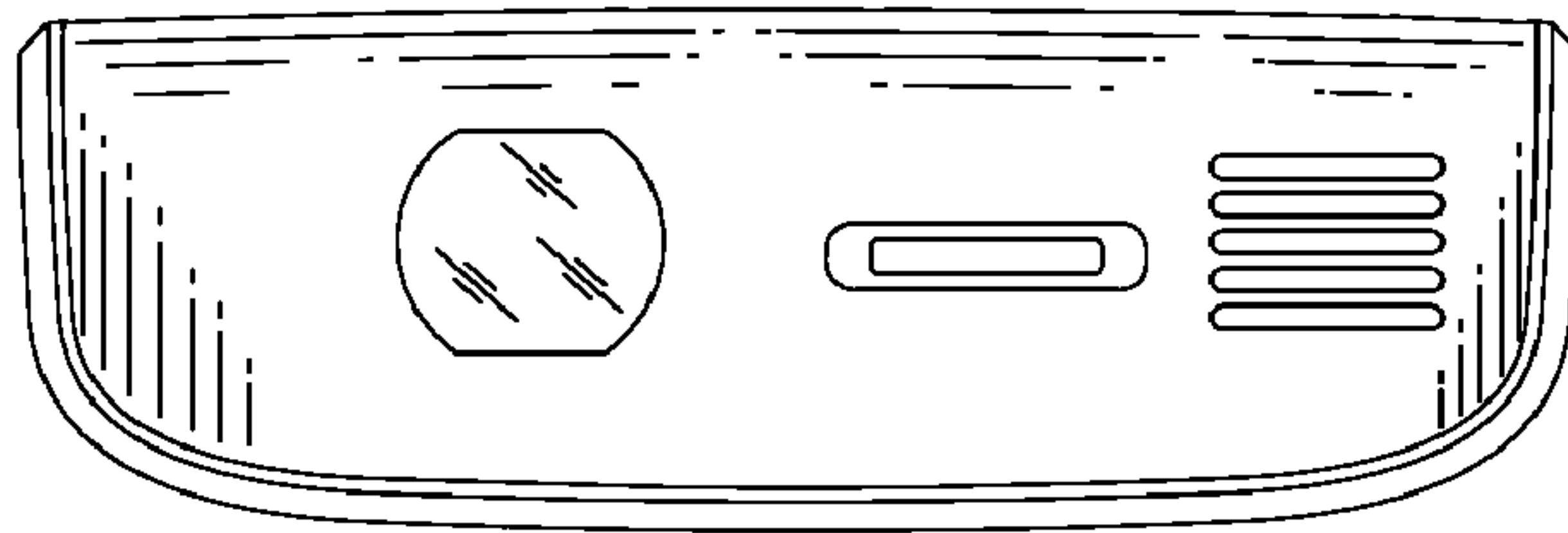


FIG. 2

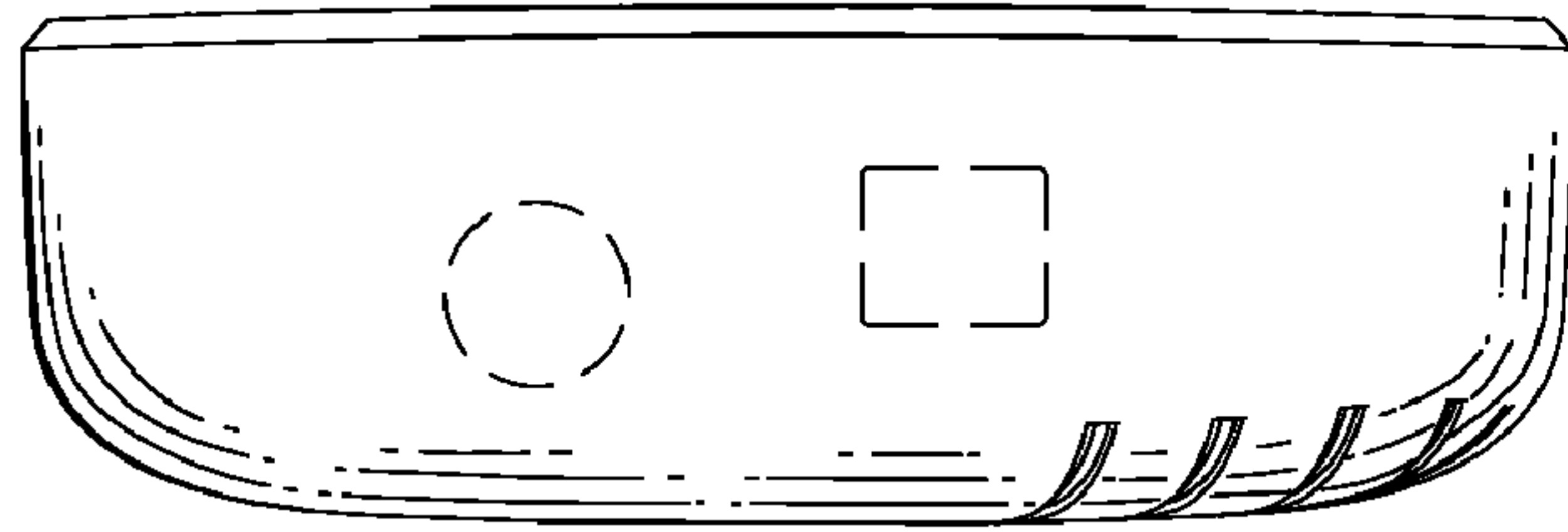


FIG. 3

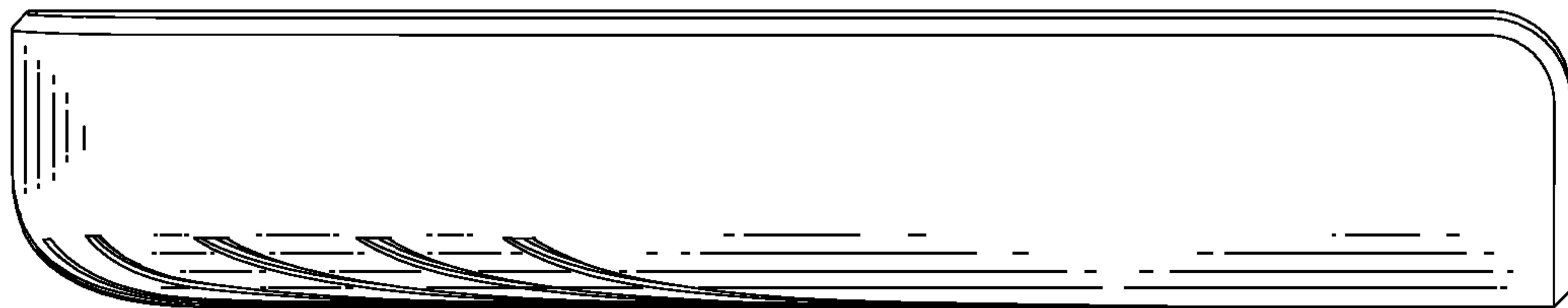


FIG. 4

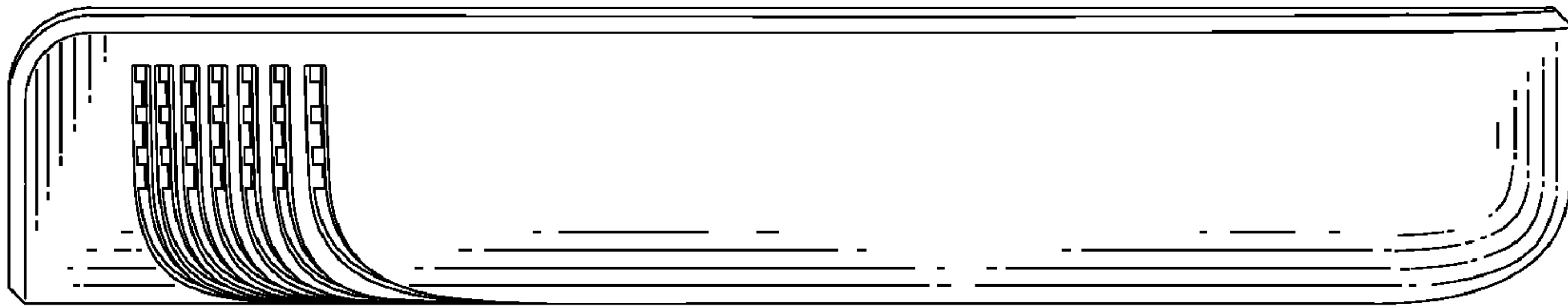


FIG. 5

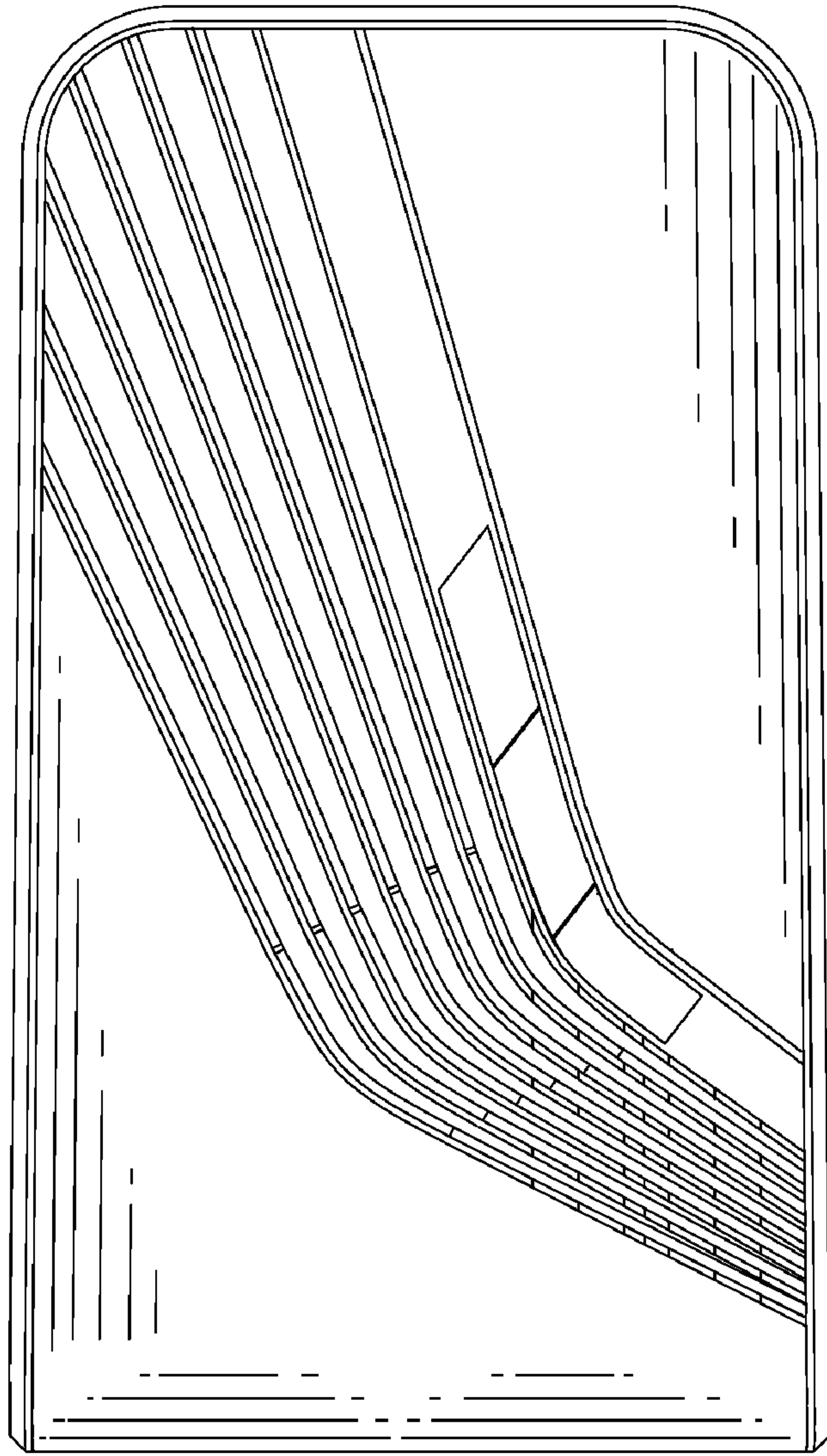


FIG. 6

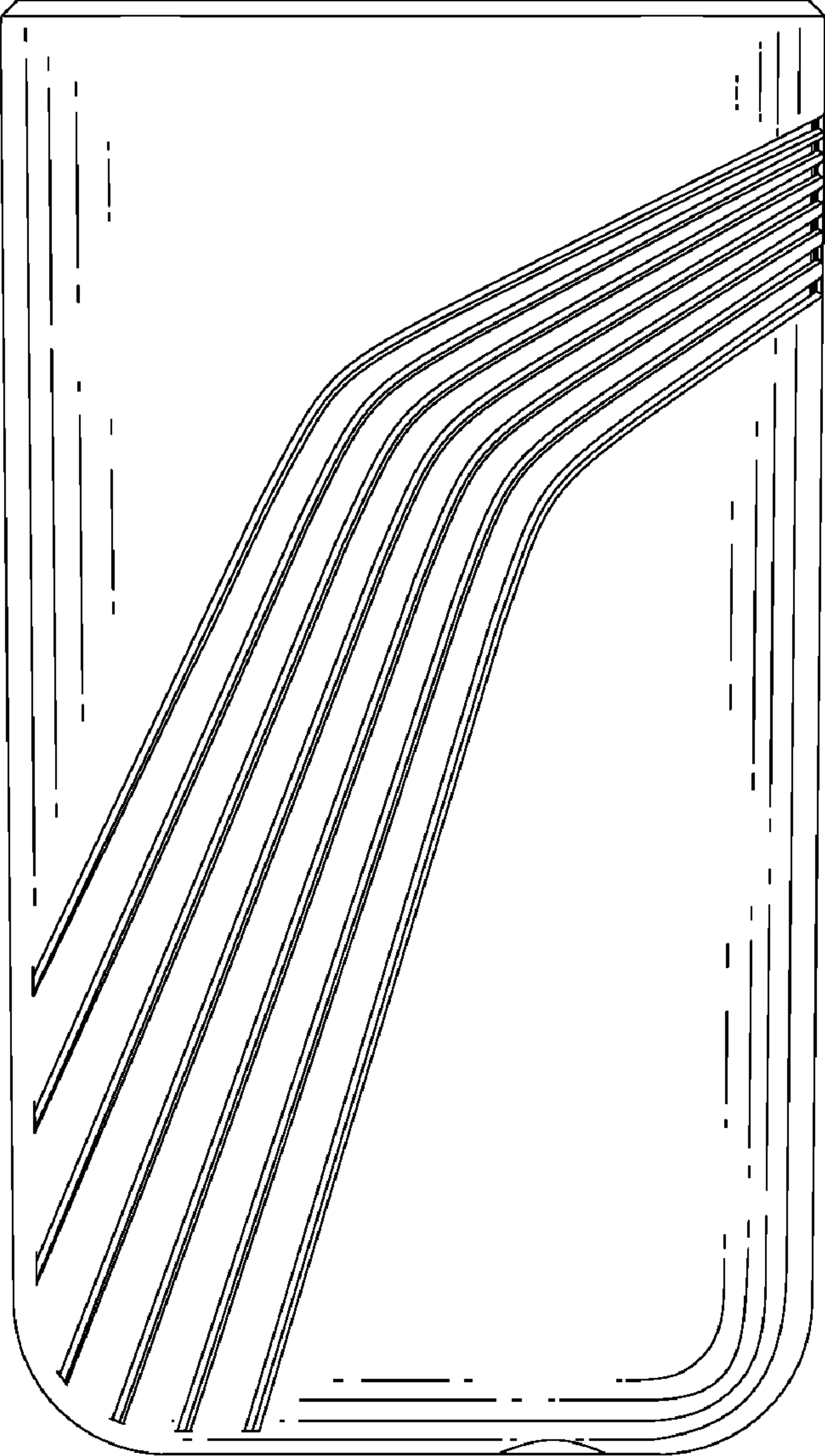


FIG. 7