



US00D638871S

(12) **United States Design Patent**  
**Bergstrom et al.**

(10) **Patent No.:** **US D638,871 S**

(45) **Date of Patent:** **\*\* May 31, 2011**

(54) **HOUSING FOR SURVEILLANCE CAMERA**

(75) Inventors: **Morten Bergstrom**, Bjarred (SE);  
**Mariano Vozzi**, Malmo (SE); **Alexander Rosenqvist**, Sjobo (SE); **Magnus Sonesson**, Landskrona (SE)

(73) Assignee: **Axis AB**, Lund (SE)

(\*\*) Term: **14 Years**

(21) Appl. No.: **29/360,533**

(22) Filed: **Apr. 27, 2010**

(30) **Foreign Application Priority Data**

Oct. 27, 2009 (EM) ..... 001173686

(51) **LOC (9) Cl.** ..... **16-01**

(52) **U.S. Cl.** ..... **D16/203**

(58) **Field of Classification Search** ..... D16/200–204,  
D16/208, 218; 348/143, 151, 373–376; 396/427,  
396/535–541

See application file for complete search history.

(56) **References Cited**

**U.S. PATENT DOCUMENTS**

4,283,743	A *	8/1981	Kaiser	.....	348/373
4,394,692	A *	7/1983	Randmae et al.	.....	348/374
4,414,576	A *	11/1983	Randmae	.....	348/373
D307,915	S *	5/1990	Kuester, III	.....	D16/203
D481,407	S *	10/2003	Alessio	.....	D16/203
6,728,480	B1 *	4/2004	Maeda et al.	.....	396/427

D552,145	S *	10/2007	Grotto	.....	D16/203
D578,561	S *	10/2008	Dumanogullari	.....	D16/203
D614,222	S *	4/2010	Yamakawa	.....	D16/203
7,859,592	B2 *	12/2010	Takahashi et al.	.....	348/373
2005/0270414	A1 *	12/2005	Lee	.....	348/373

**OTHER PUBLICATIONS**

U.S. Appl. No. 29/360,537, filed Apr. 27, 2010, Bergstrom, et al.  
“OHIM—Office Harmonization in the Internal Market Trade Marks and Design”, Certificate of Registration, No. 001199376-0001, Registered / Eingetragen Apr. 3, 2010, 3 pages.

\* cited by examiner

*Primary Examiner* — Adir Aronovich

(74) *Attorney, Agent, or Firm* — Oblon, Spivak, McClelland, Maier & Neustadt, L.L.P.

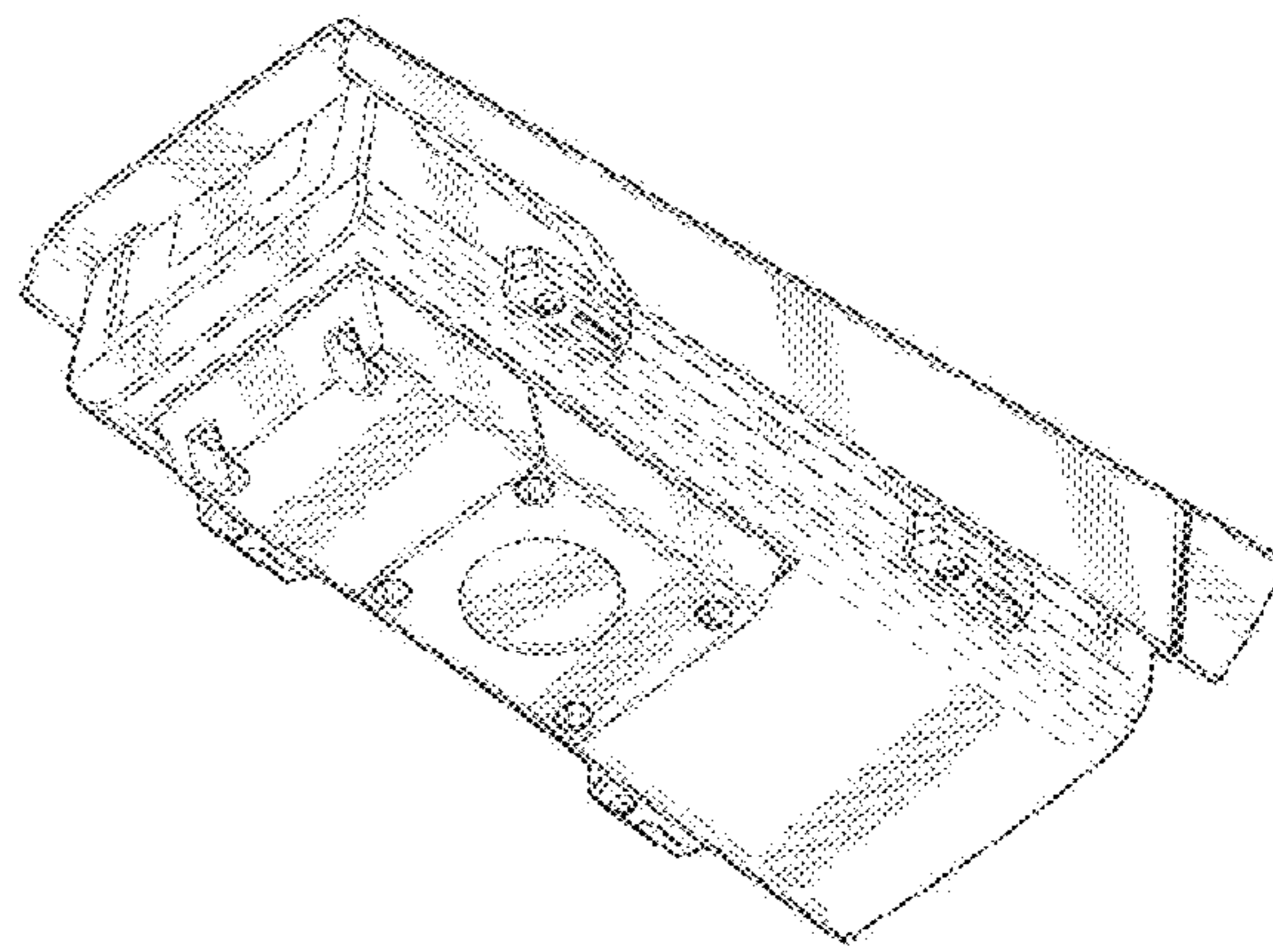
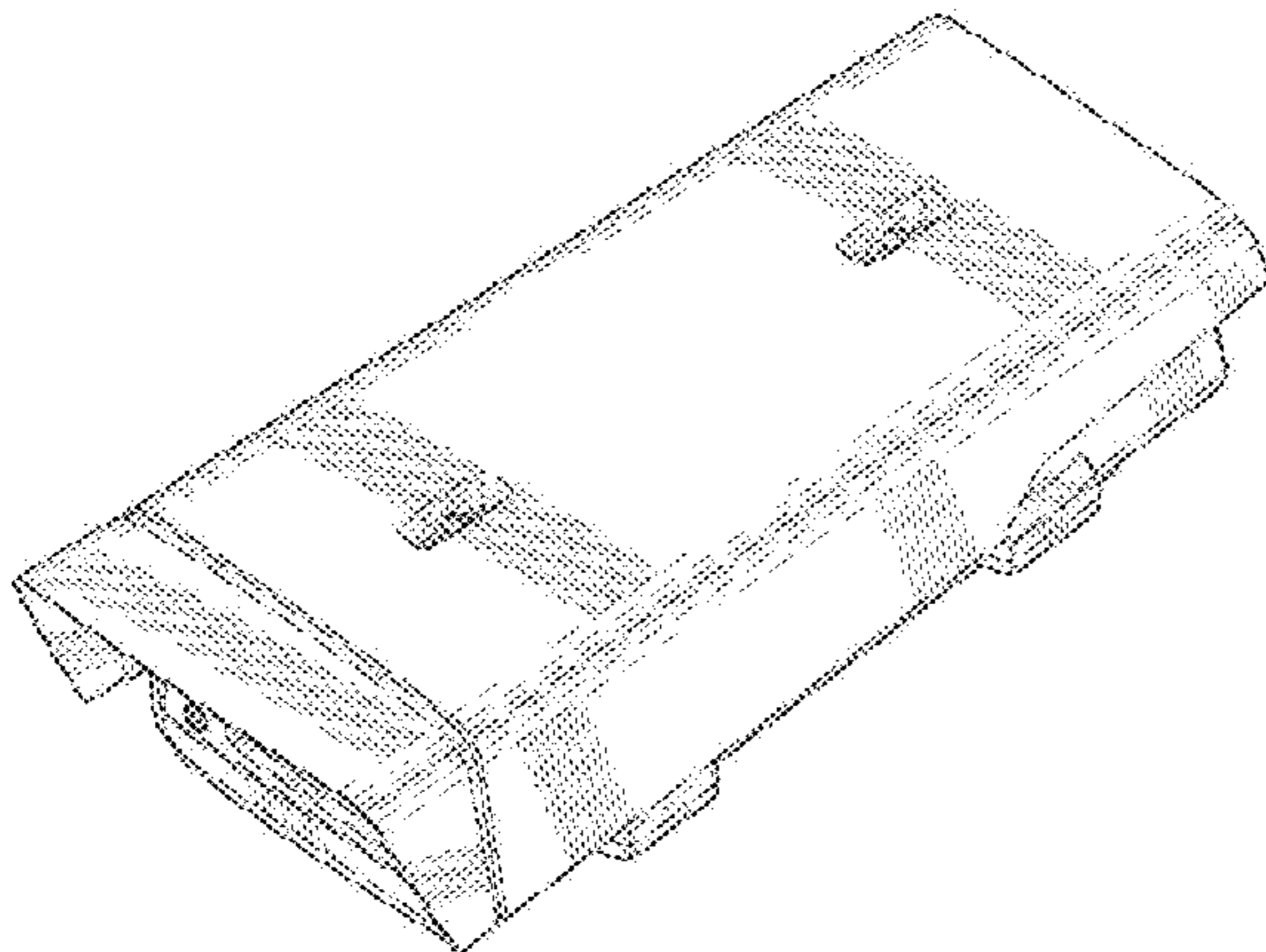
(57) **CLAIM**

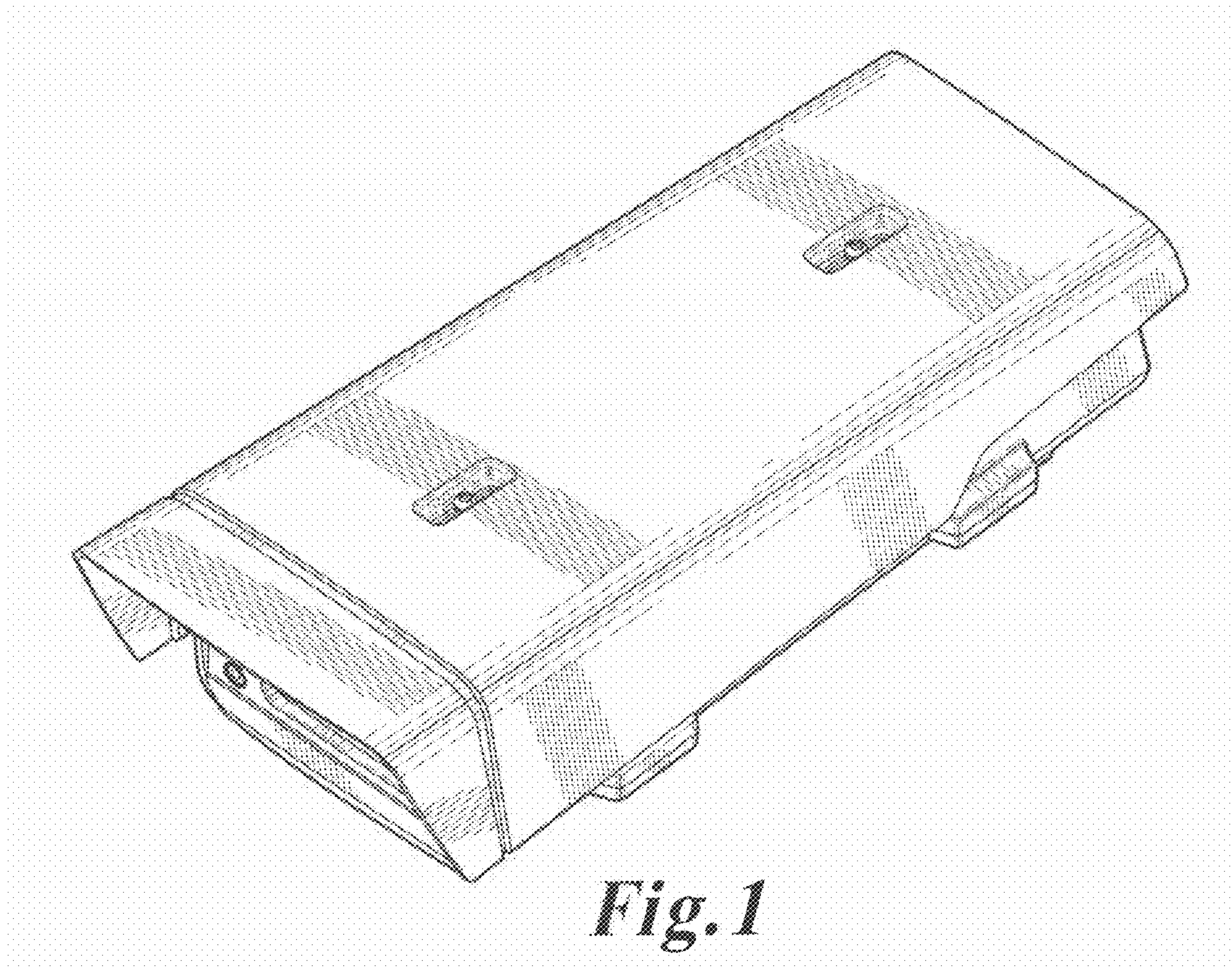
The ornamental design for a housing for surveillance camera, as shown and described.

**DESCRIPTION**

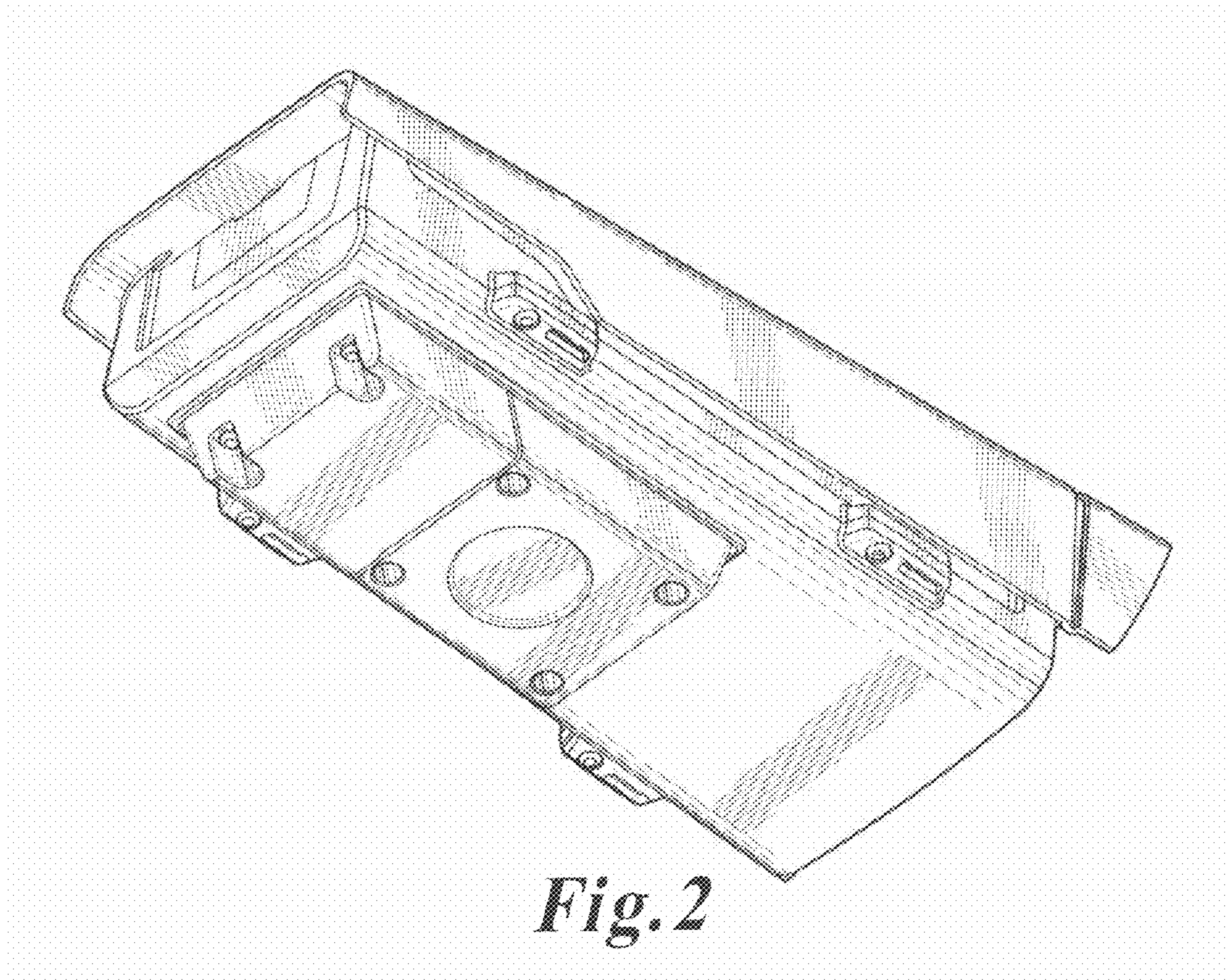
FIG. 1 is a front, top, and right side perspective view of a housing for surveillance camera;  
FIG. 2 is a rear, bottom, and left side perspective view thereof;  
FIG. 3 is a front elevational view thereof;  
FIG. 4 is a right side elevational view thereof, the left side elevational view being a mirror image of the right side elevational view shown;  
FIG. 5 is a rear elevational view thereof;  
FIG. 6 is a top plan view thereof; and,  
FIG. 7 is a bottom plan view thereof.

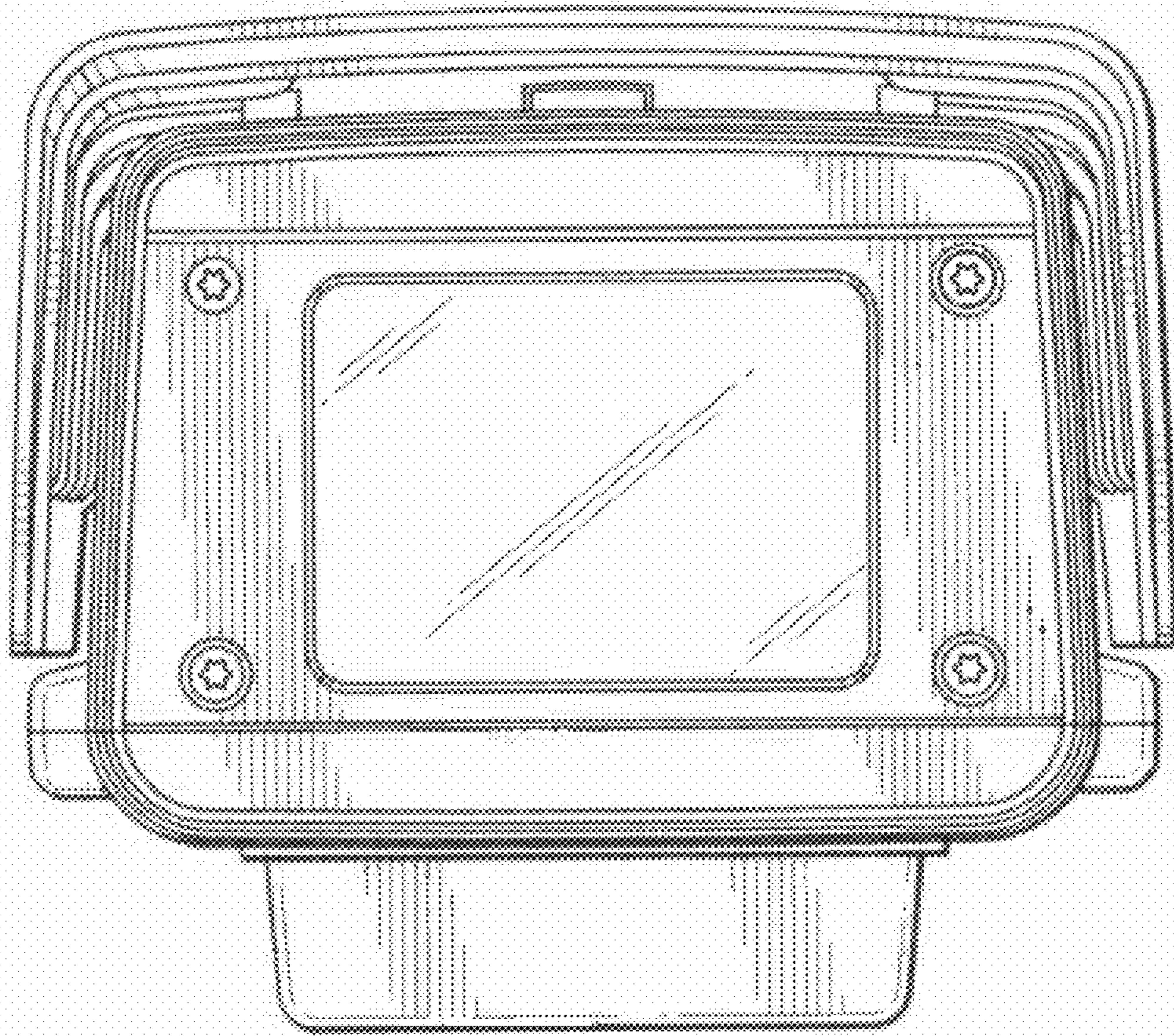
**1 Claim, 7 Drawing Sheets**



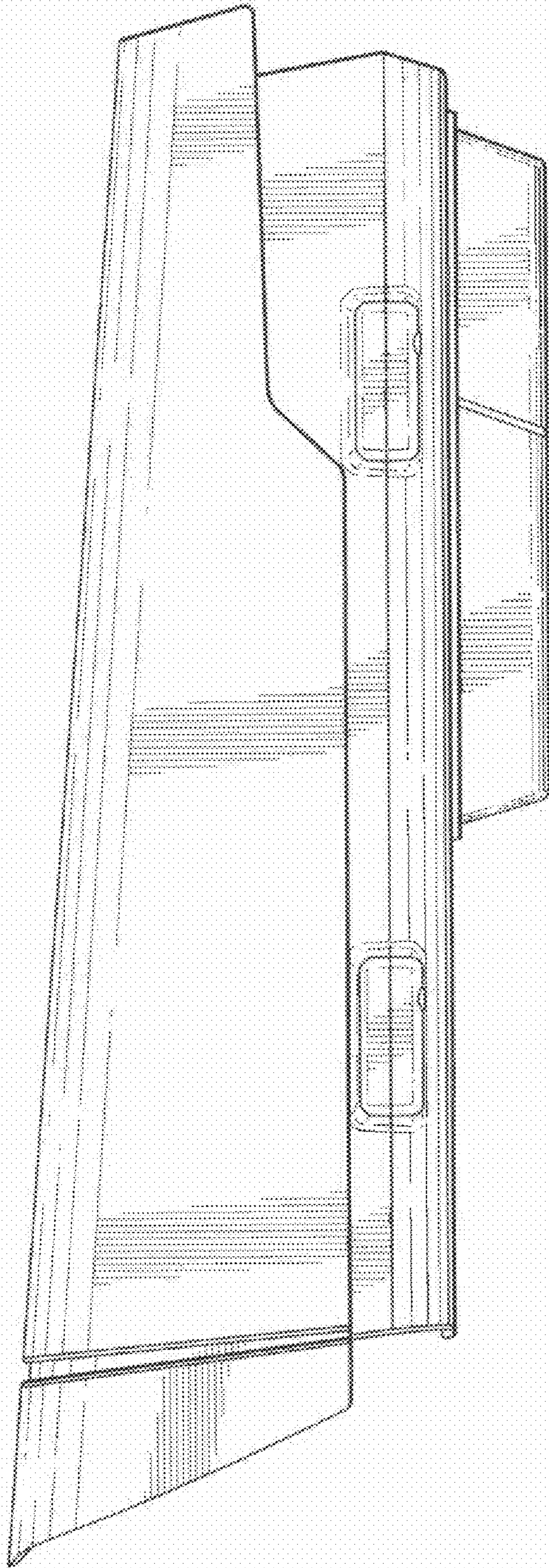


*Fig. 1*

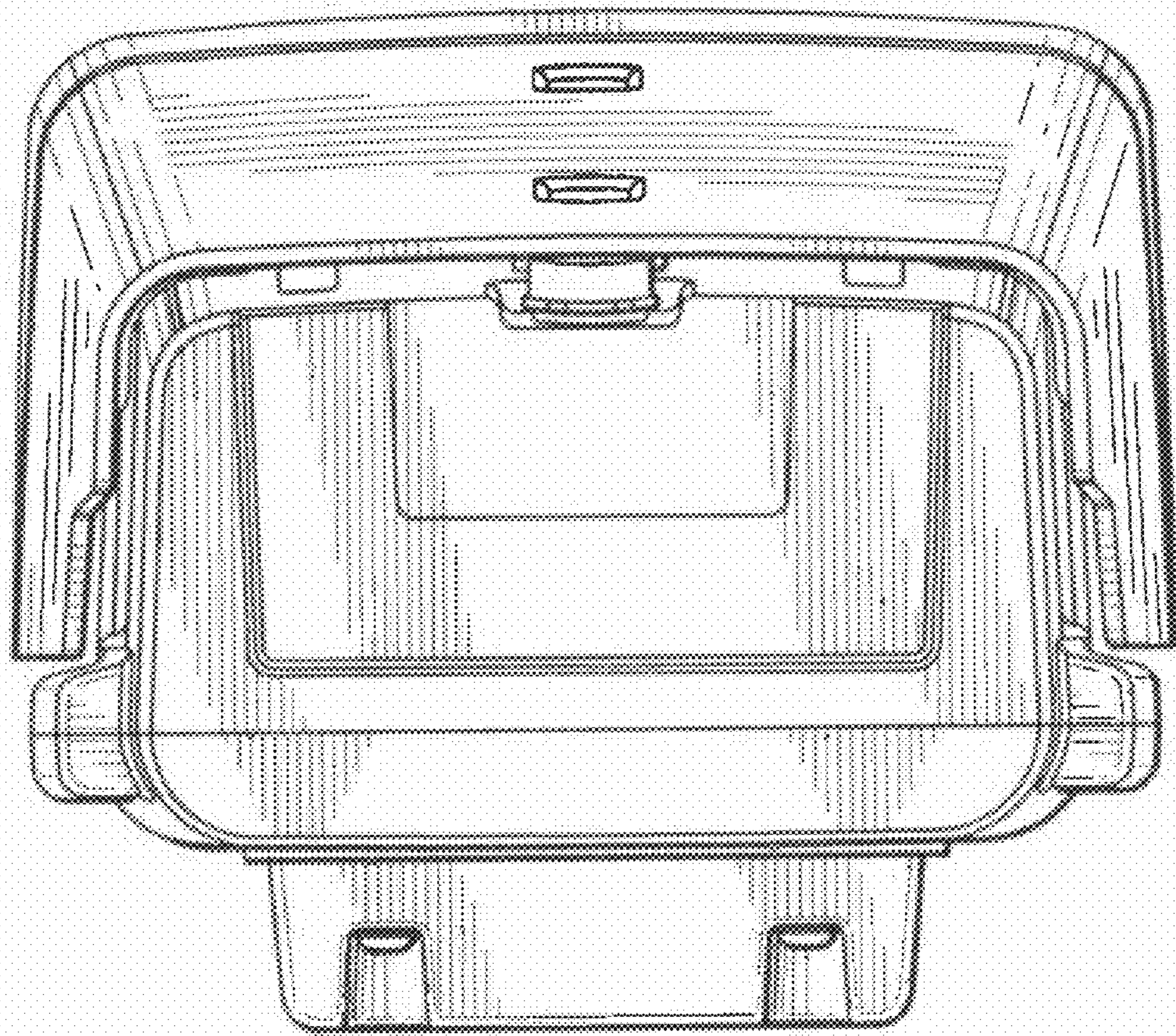




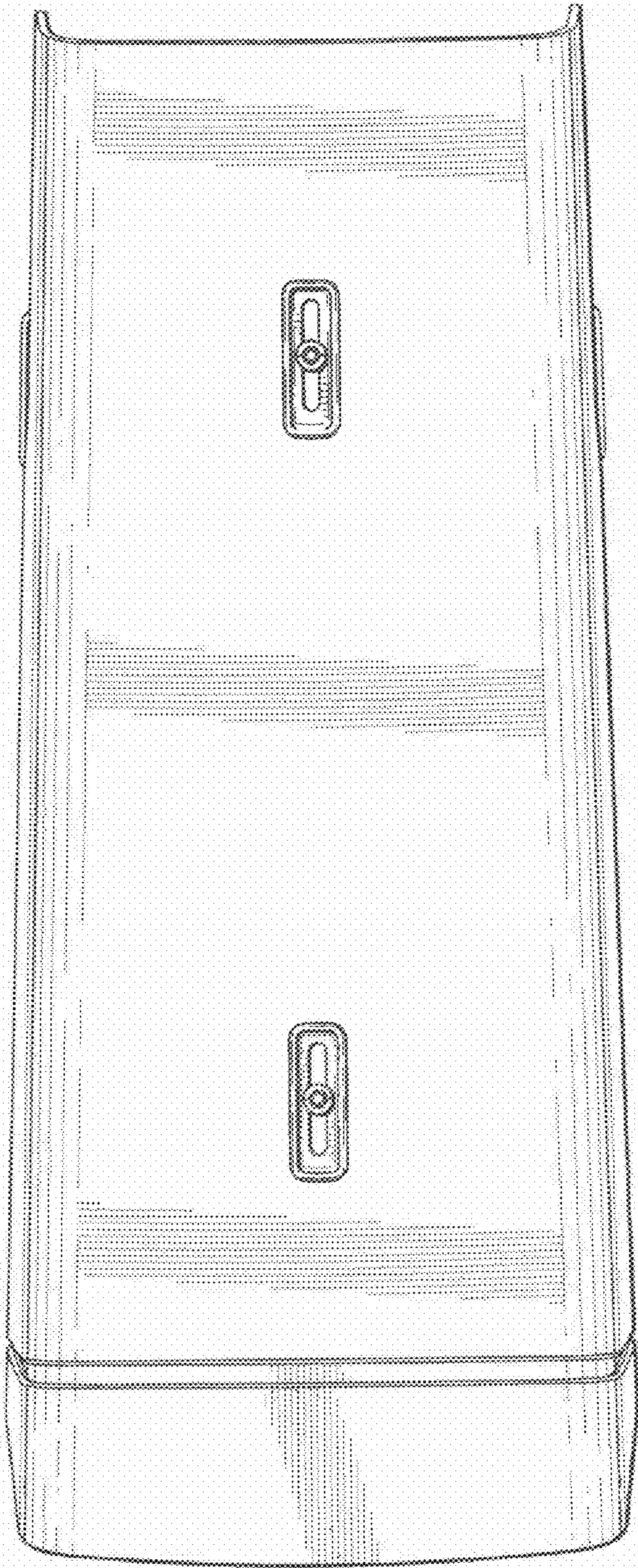
*Fig. 3*



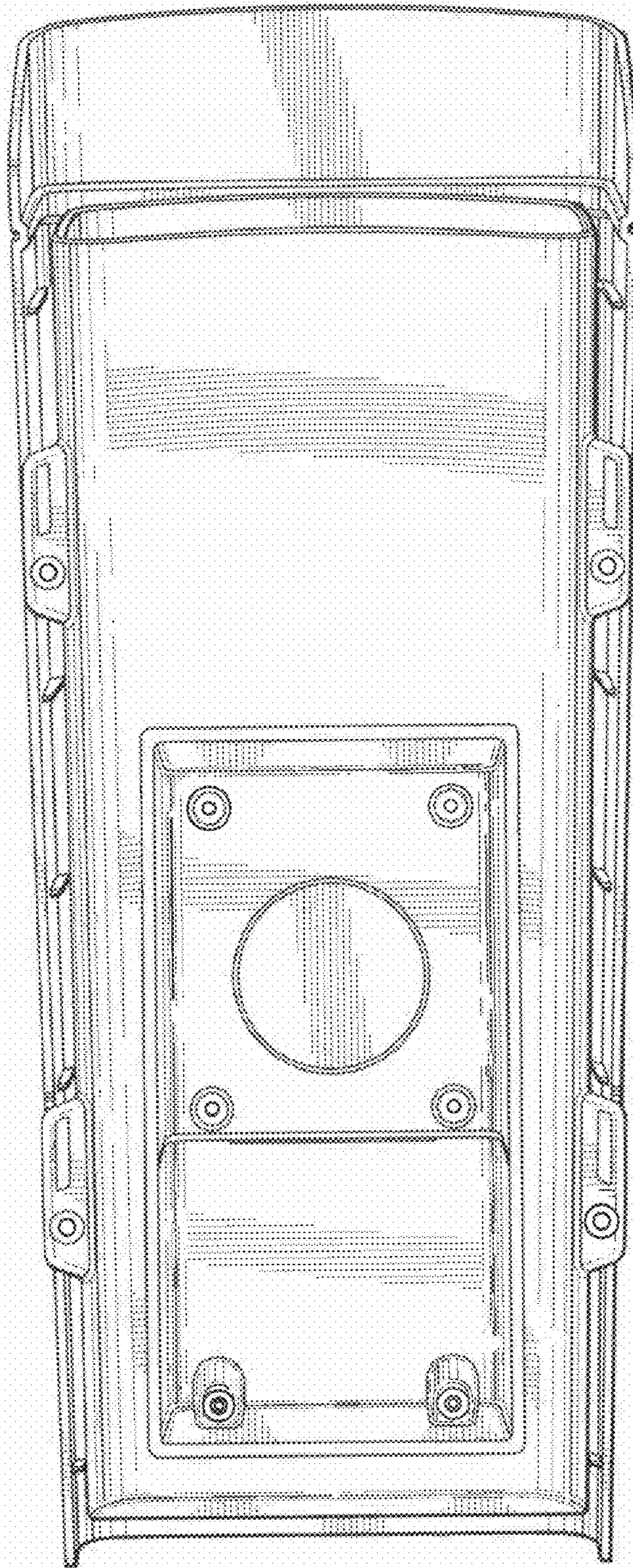
*Fig. 4*



*Fig. 5*



*Fig. 6*



*Fig. 7*