



US00D638868S

(12) **United States Design Patent**
Kojima

(10) **Patent No.:** **US D638,868 S**

(45) **Date of Patent:** **** May 31, 2011**

(54) **TIRE REPAIR KIT**

(75) **Inventor:** **Yoshihide Kojima, Kobe (JP)**

(73) **Assignee:** **Sumitomo Rubber Industries, Ltd.,
Kobe (JP)**

(**) **Term:** **14 Years**

(21) **Appl. No.:** **29/380,466**

(22) **Filed:** **Dec. 6, 2010**

(30) **Foreign Application Priority Data**

Jun. 7, 2010 (JP) 2010-013924

(51) **LOC (9) Cl.** **15-99**

(52) **U.S. Cl.** **D15/199**

(58) **Field of Classification Search** D8/105,
D8/499; D15/199; 7/100, 158, 167; 81/15.2;
141/38, 67, 100; 152/415

See application file for complete search history.

(56) **References Cited**

U.S. PATENT DOCUMENTS

4,284,451	A *	8/1981	Conley	156/97
6,789,581	B2 *	9/2004	Cowan et al.	141/38
D509,838	S *	9/2005	Wong	D15/199
6,964,284	B2 *	11/2005	Eckhardt	141/38
7,163,034	B2 *	1/2007	Franks	141/67
D574,866	S *	8/2008	Yoshida	D15/199
D600,262	S *	9/2009	Stehle	D15/199
D600,263	S *	9/2009	Eckhardt	D15/199
7,798,183	B2 *	9/2010	Cegelski et al.	141/38

2003/0024596	A1 *	2/2003	Kojima et al.	141/38
2004/0159365	A1 *	8/2004	Cowan et al.	141/38
2004/0221439	A1 *	11/2004	Villarreal	29/407.08
2005/0284536	A1 *	12/2005	Kojima et al.	141/38
2008/0264540	A1 *	10/2008	Dowel	152/509
2009/0139604	A1 *	6/2009	Lolli	141/38
2010/0108186	A1 *	5/2010	Yoshida et al.	141/38
2010/0186849	A1 *	7/2010	Yoshida et al.	141/38
2010/0206426	A1 *	8/2010	Lolli	141/38
2010/0326565	A1 *	12/2010	Romano	141/100

* cited by examiner

Primary Examiner — Patricia Palasik

(74) *Attorney, Agent, or Firm* — Birch, Stewart, Kolasch & Birch, LLP

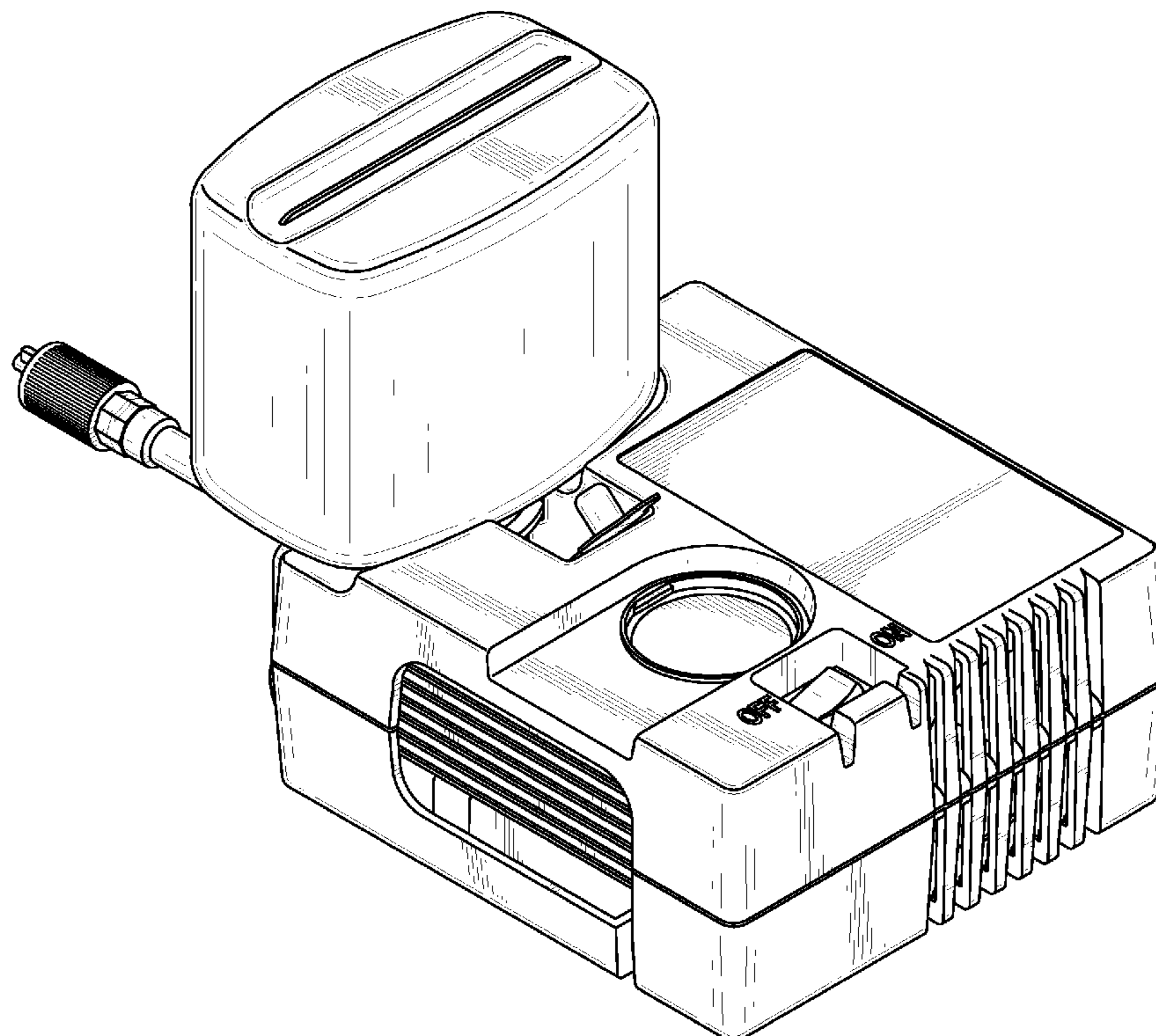
(57) **CLAIM**

The ornamental design for a tire repair kit, as shown and described.

DESCRIPTION

FIG. 1 is a top view of a tire repair kit showing my new design; FIG. 2 is a bottom view thereof; FIG. 3 is a rear view thereof; FIG. 4 is a front view thereof; FIG. 5 is a right side view thereof; FIG. 6 is a left side view thereof; FIG. 7 is a front, right perspective view thereof; and, FIG. 8 is front, left perspective view thereof. The portions shown broken away indicate no particular length.

1 Claim, 8 Drawing Sheets



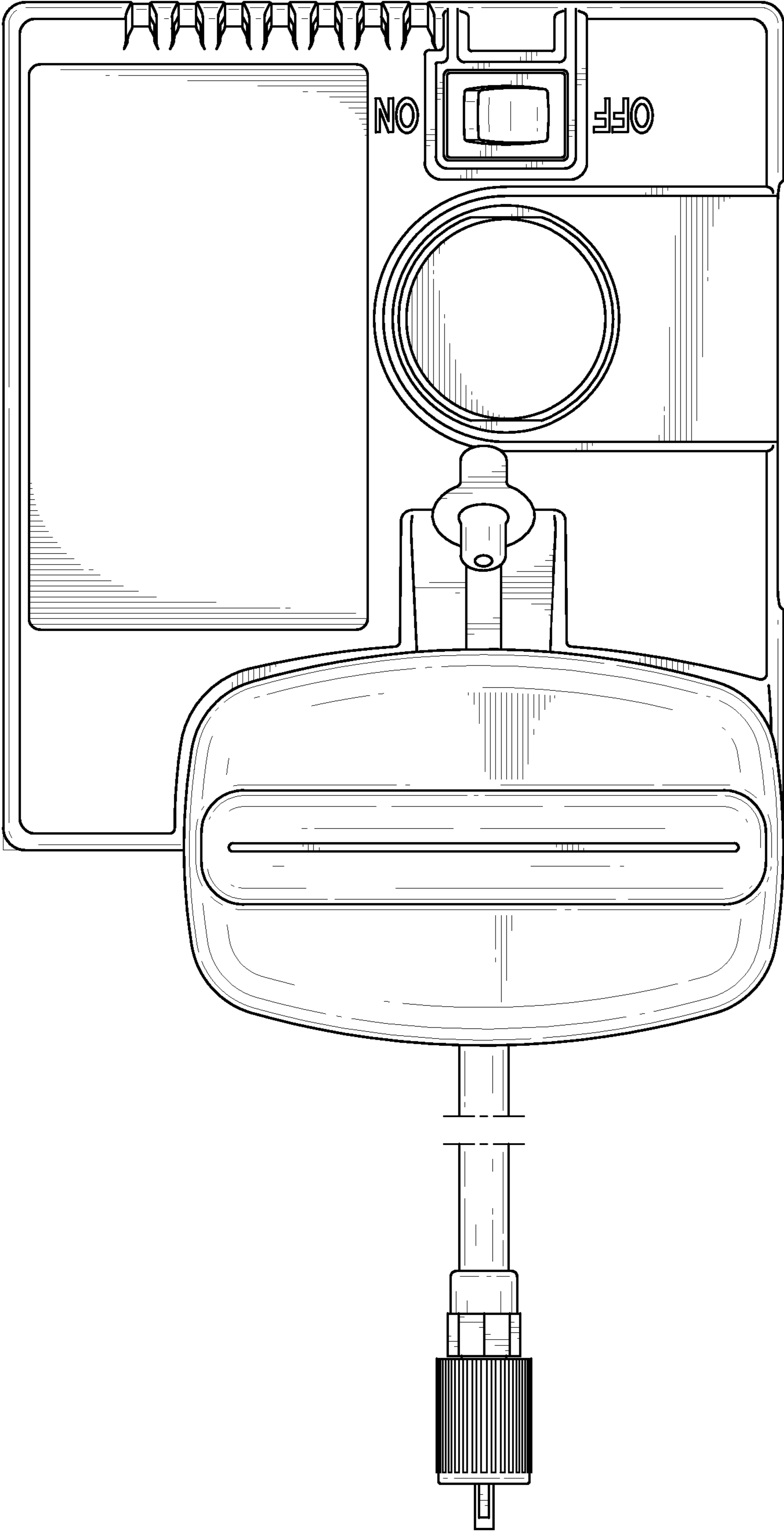


FIG.1

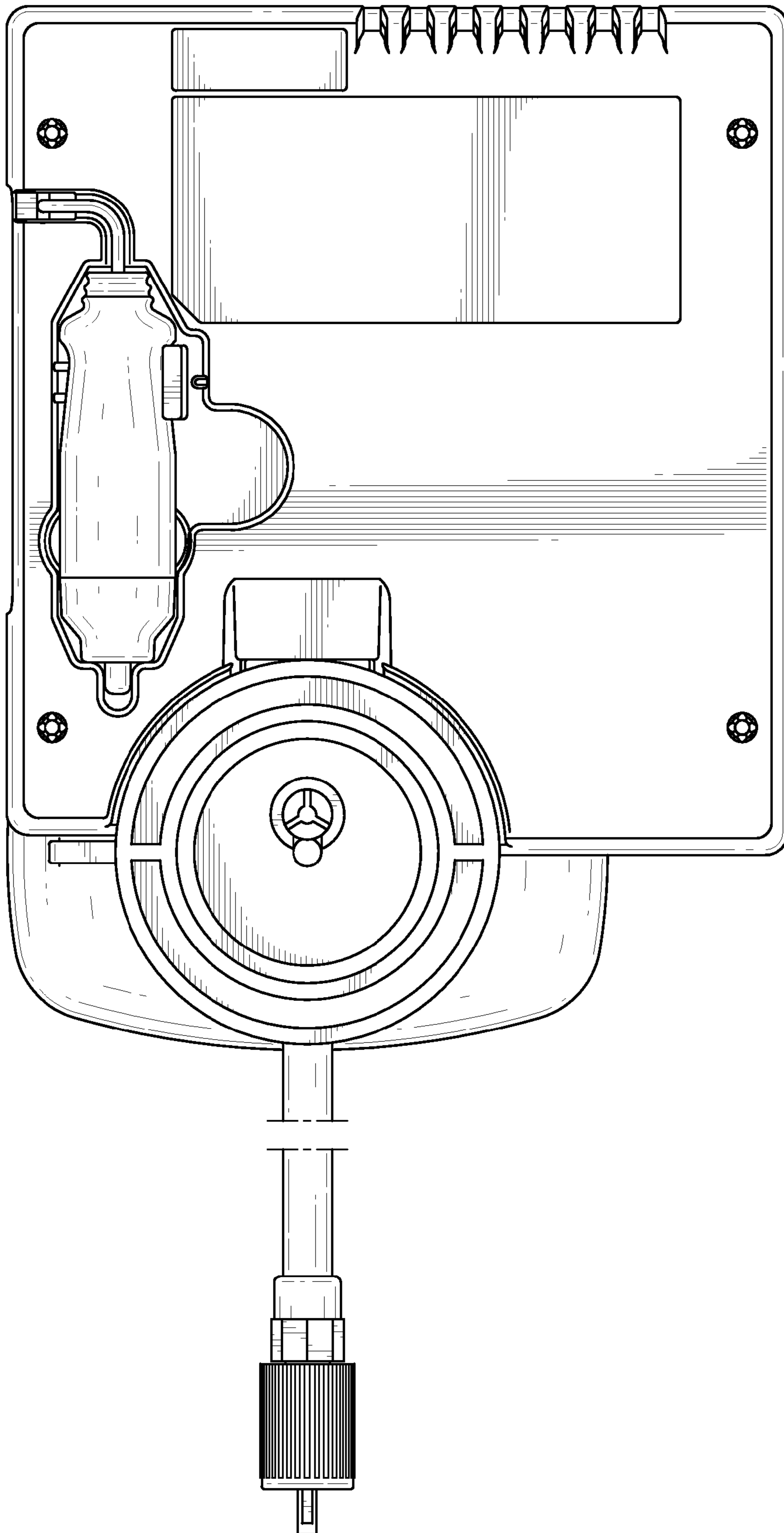


FIG.2

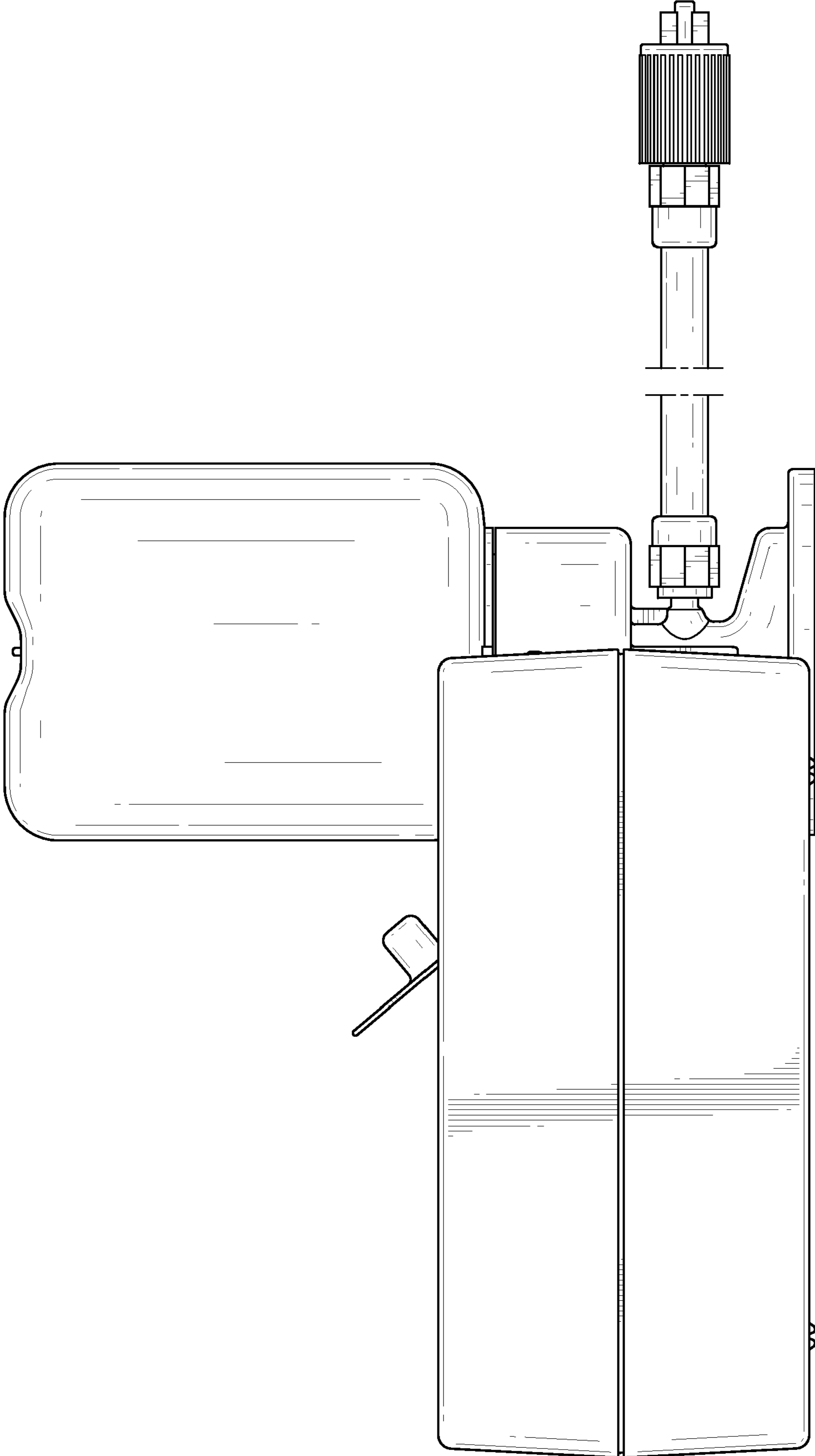


FIG.3

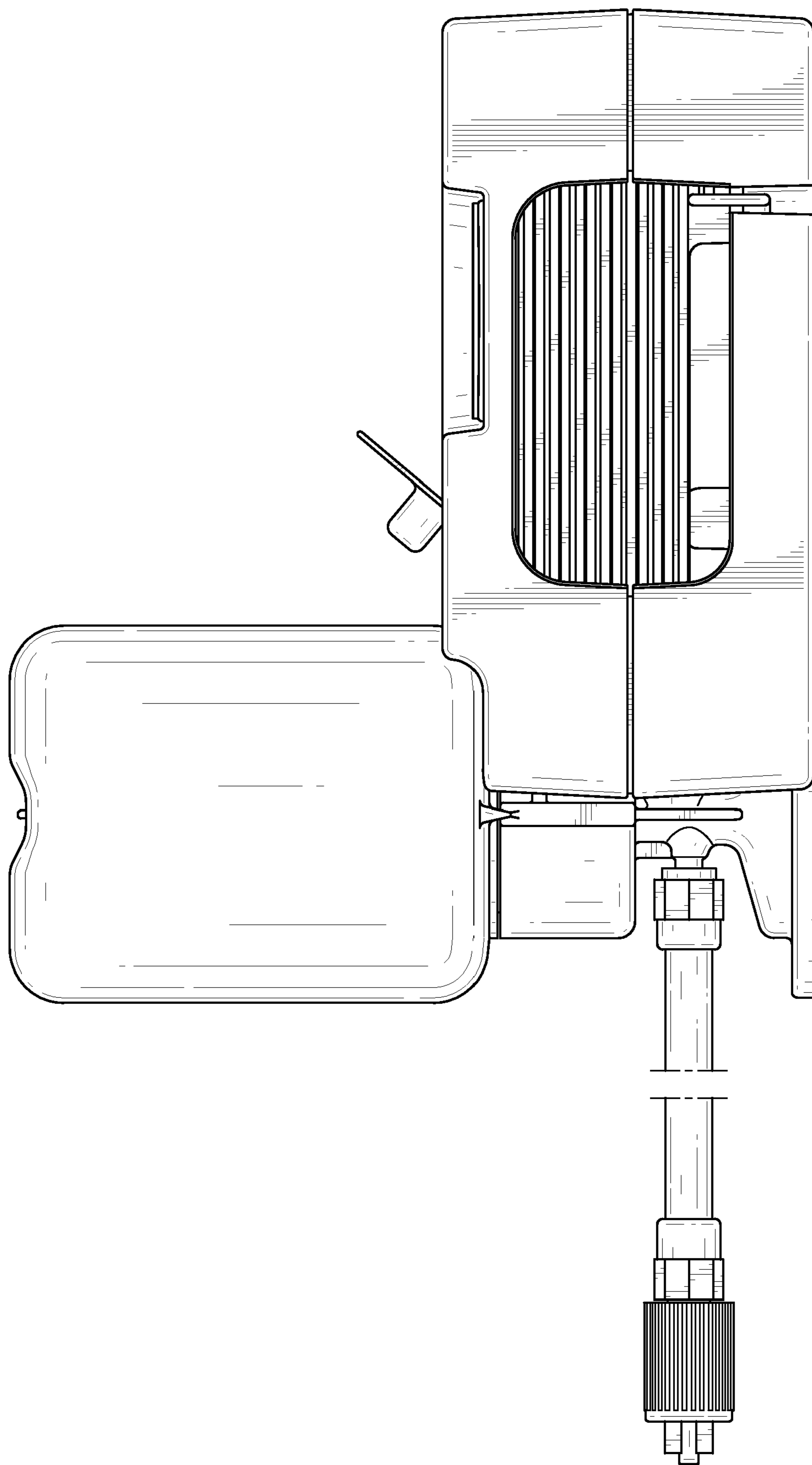


FIG.4

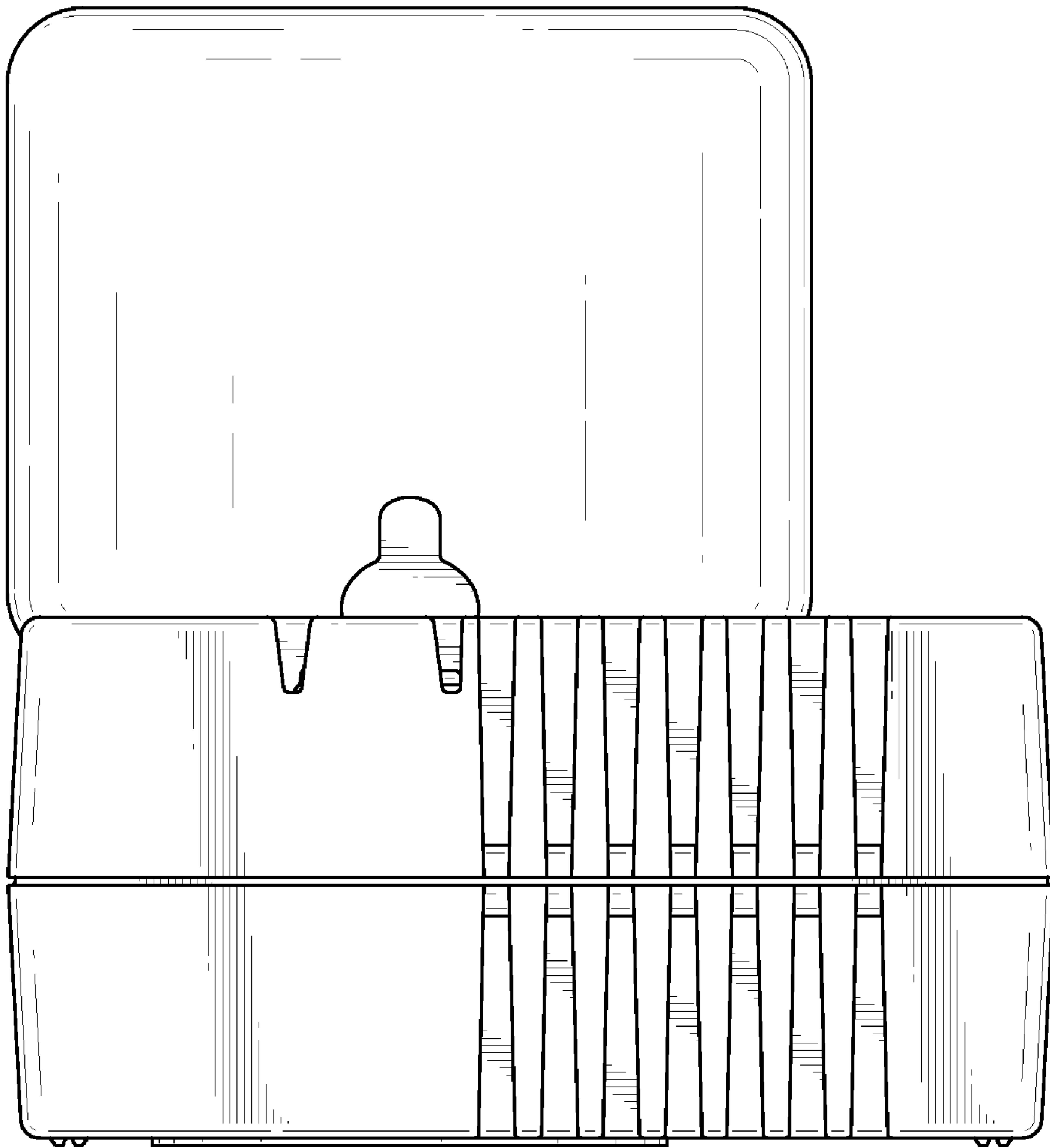


FIG.5

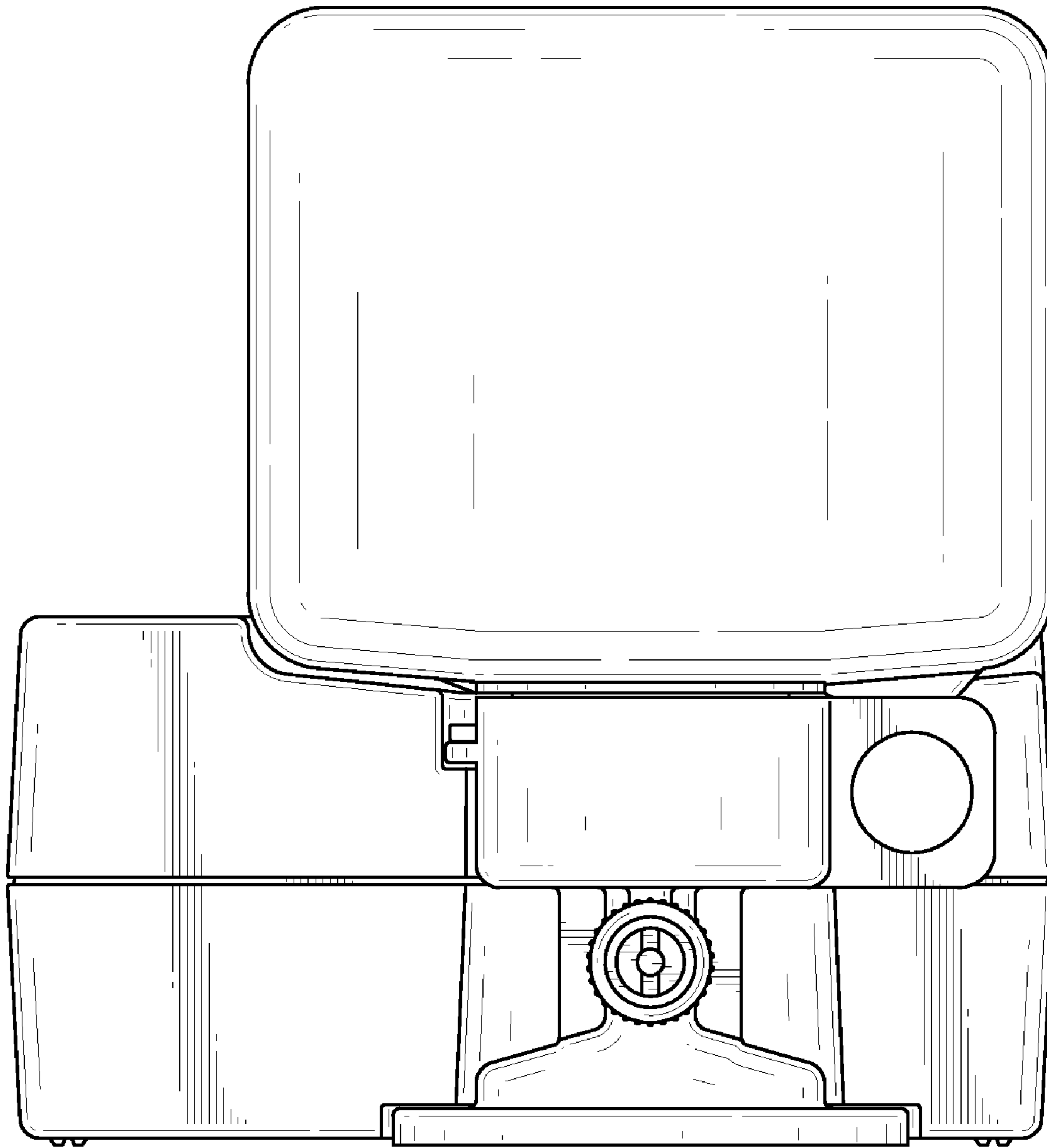


FIG. 6

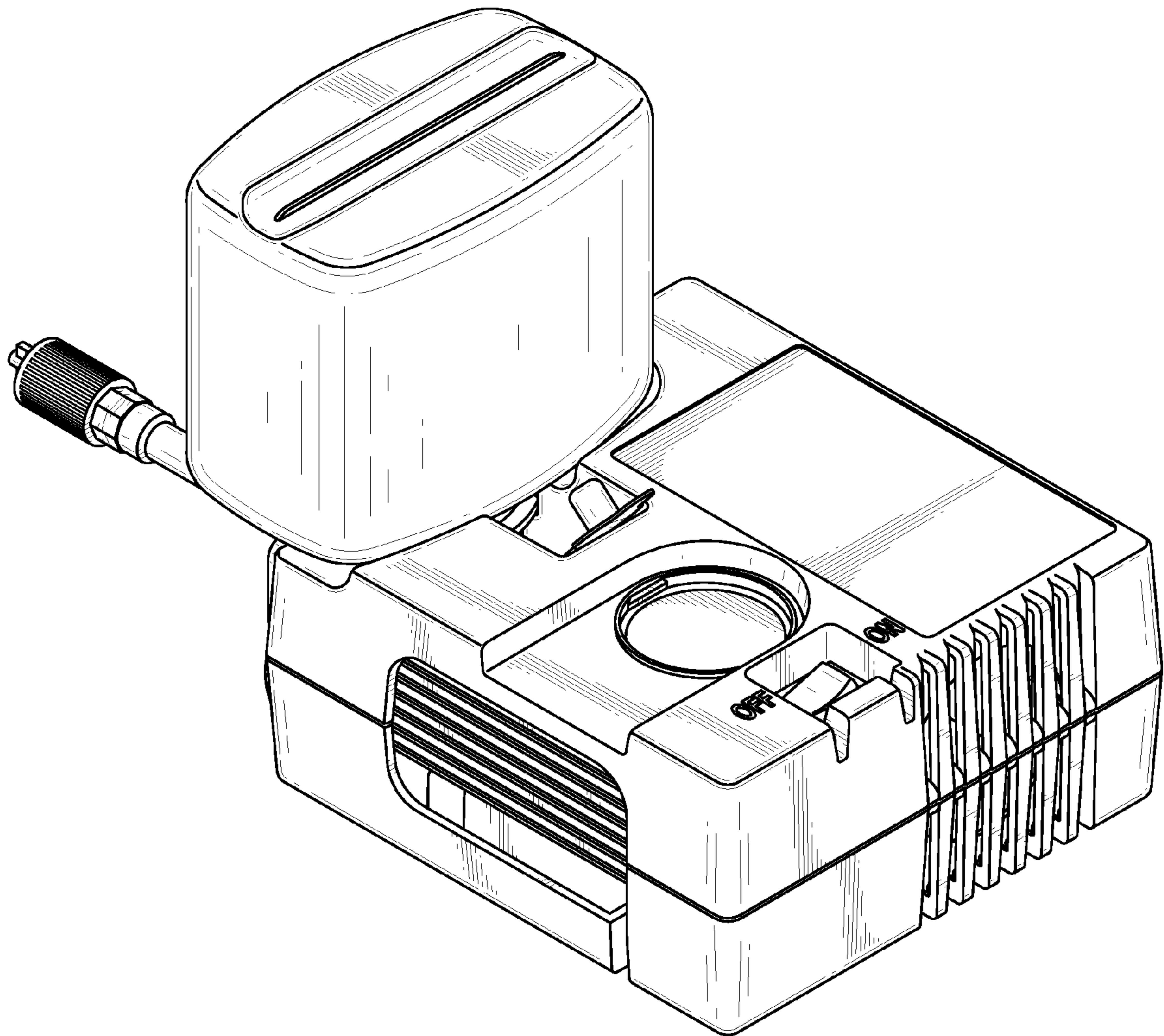


FIG.7

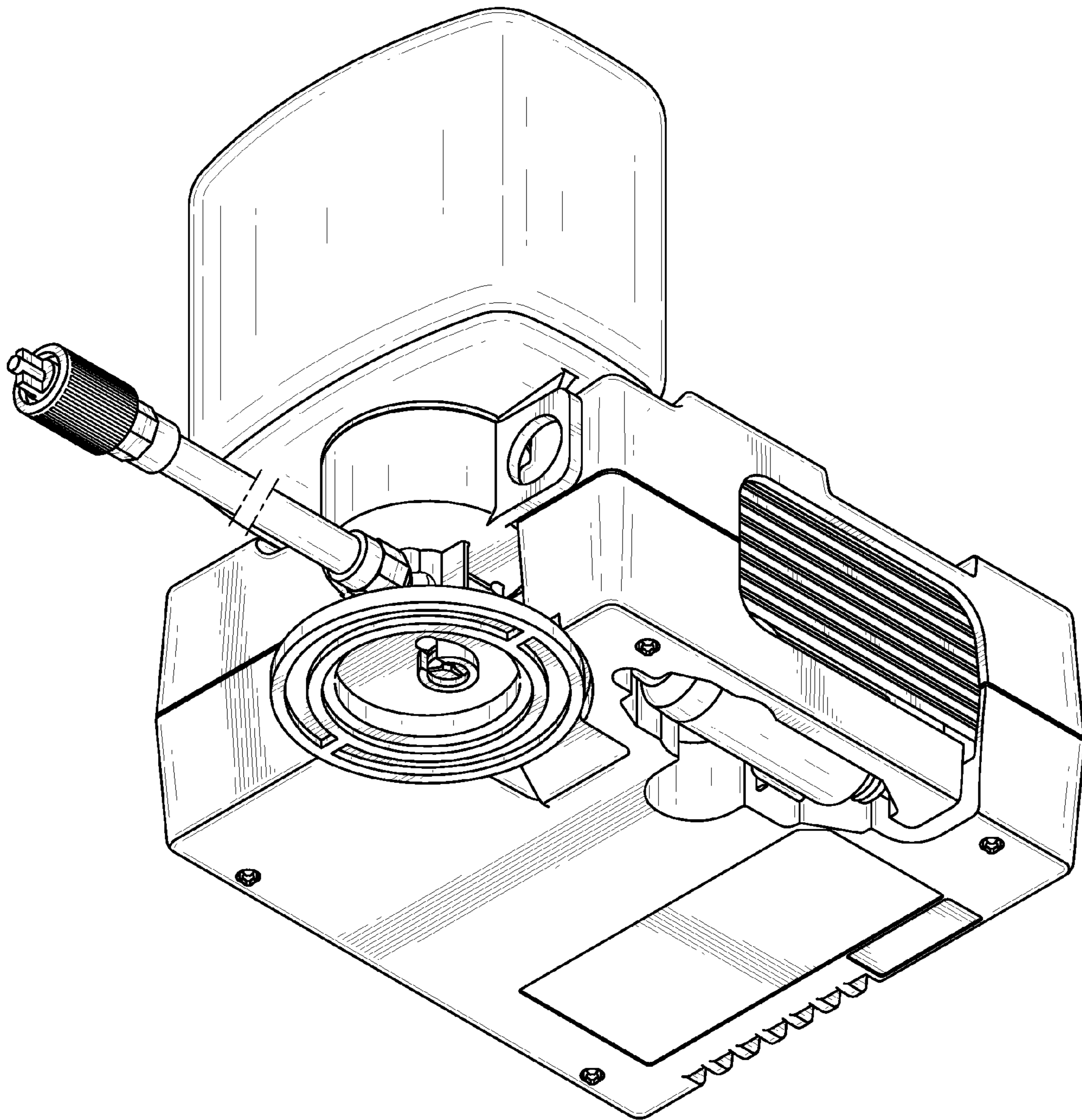


FIG.8