



US00D638866S

(12) **United States Design Patent**  
**Curry et al.**

(10) **Patent No.:** **US D638,866 S**

(45) **Date of Patent:** **\*\* May 31, 2011**

(54) **DOWNDRAFT TABLE**

(75) Inventors: **William P. Curry**, Hampshire, IL (US);  
**William J. Phillips**, Batavia, IL (US)

(73) Assignee: **Walter Meier (Manufacturing) Inc.**, La Vergne, TN (US)

(\*\*) Term: **14 Years**

(21) Appl. No.: **29/323,400**

(22) Filed: **Aug. 25, 2008**

**Related U.S. Application Data**

(63) Continuation-in-part of application No. 29/323,352, filed on Aug. 22, 2008, now abandoned.

(51) **LOC (9) Cl.** ..... **15-09**

(52) **U.S. Cl.** ..... **D15/133; D15/127**

(58) **Field of Classification Search** ..... D6/377,  
D6/430, 480, 511; D15/127, 133, 140, 141;  
55/323, 341.1, 341.5, 356, 361, 378, 385.1,  
55/428, 429, 467, DIG. 18, DIG. 29; 108/24,  
108/25, 26, 50.11, 50.13, 50.18; 454/49

See application file for complete search history.

(56) **References Cited**

**U.S. PATENT DOCUMENTS**

5,572,934	A *	11/1996	Aldridge et al.	108/25
6,340,213	B1 *	1/2002	Calobrisi, Jr.	312/244
6,727,457	B1 *	4/2004	Vande Berg	219/121.58
6,783,563	B1 *	8/2004	Eckhoff et al.	55/356
2002/0129746	A1 *	9/2002	Donnelly	108/25
2003/0075033	A1 *	4/2003	Speakman	83/477.2
2004/0139892	A1 *	7/2004	Giegerich	108/26
2006/0075936	A1 *	4/2006	Shelton et al.	108/50.13
2009/0145338	A1 *	6/2009	Panosian et al.	108/50.11
2010/0107841	A1 *	5/2010	Liu et al.	83/477.2

**OTHER PUBLICATIONS**

WMH Tool Group, Operating Instructions and Parts Manual 14-inch Woodworking Band Saw Models: JWBS-14OS, JWBS-14CS, Revision A, Nov. 2003, 32 pp.

WMH Tool Group, Operating Instructions and Parts Manual 14-inch Woodworking Band Saw Model: JWBS-14OS, Revision A1, May 2005, 27 pp.

Grizzly Industrial, Inc., Owners Manual illustrating an apparatus that Applicants believe was on sale or publicly available more than one year before the filing date of the instant application, Model T10115 26" Bench-Top Downdraft Table, Nov. 2008, 2 pp.

Grizzly Industrial, Inc., Owners Manual illustrating an apparatus that Applicants believe was on sale or publicly available more than one year before the filing date of the instant application, Model G0626 25"×15" Downdraft Table w/Stand, Aug. 2006, 35 pp.

(Continued)

*Primary Examiner* — Patricia Palasik

(74) *Attorney, Agent, or Firm* — Schiff Hardin LLP

(57) **CLAIM**

We claim the ornamental design for a downdraft table, as shown and described.

**DESCRIPTION**

FIG. 1 is a perspective view of a downdraft table in accordance with our new design;

FIG. 2 is a front elevation view of the downdraft table of FIG. 1;

FIG. 3 is a rear elevation view of the downdraft table of FIG. 1;

FIG. 4 is a left side elevation view of the downdraft table of FIG. 1;

FIG. 5 is a right side elevation view of the downdraft table of FIG. 1;

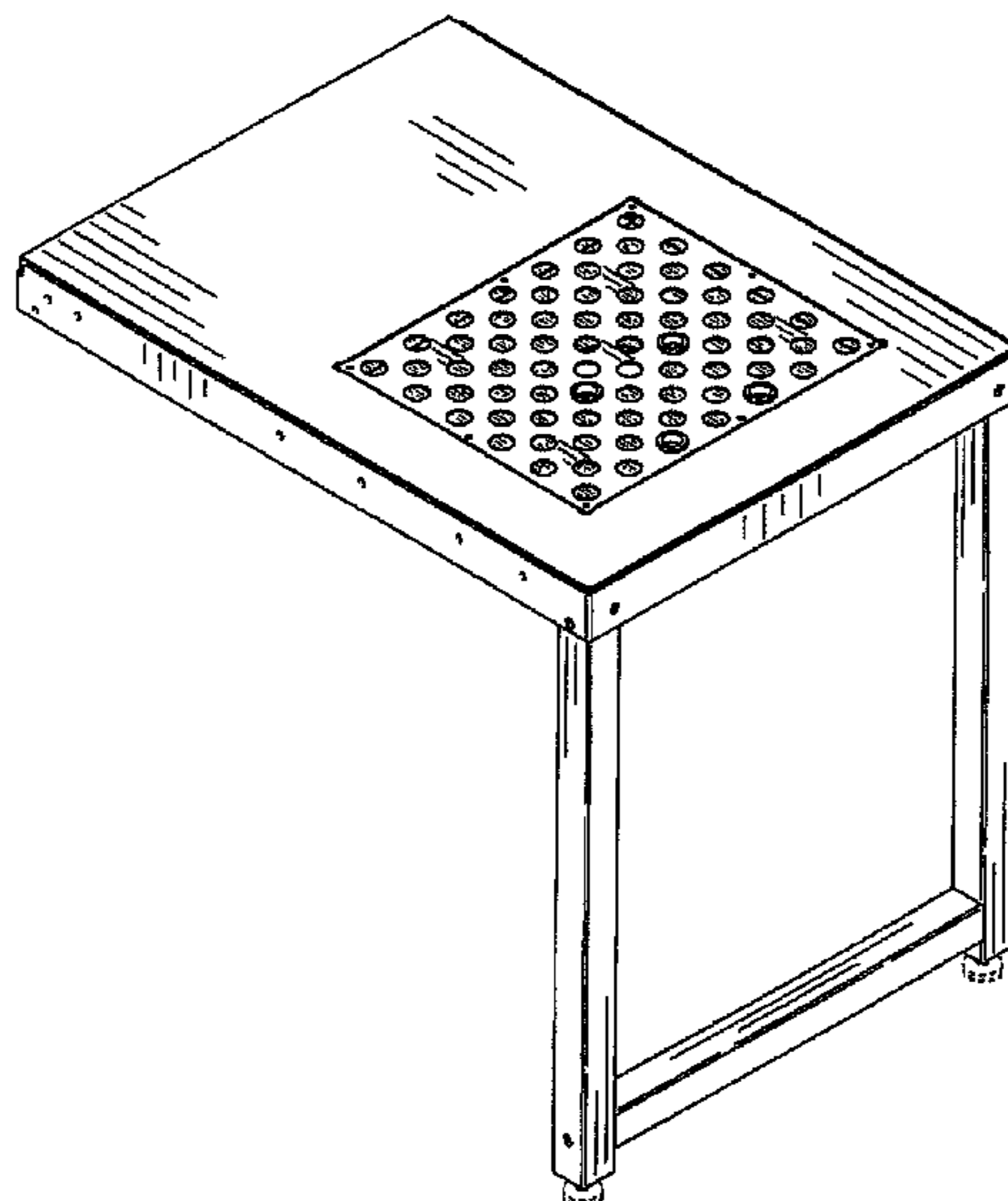
FIG. 6 is a top view of the downdraft table of FIG. 1;

FIG. 7 is a bottom view of the downdraft table of FIG. 1; and,

FIG. 8 is a perspective view of the downdraft table of FIG. 1 showing the downdraft table connected to a table saw.

The broken lines in the drawings depict unclaimed environmental subject matter.

**1 Claim, 8 Drawing Sheets**



OTHER PUBLICATIONS

Grizzly Industrial, Inc., Owners Manual illustrating an apparatus that Applicants believe was on sale or publicly available more than one year before the filing date of the instant application, Model G0627 40"×20" Downdraft Table w/Stand, Aug. 2006, 35 pp.

Grizzly Industrial, Inc., Owners Manual illustrating an apparatus that Applicants believe was on sale or publicly available more than one year before the filing date of the instant application, Model G0631 79"×28" Extra Long Downdraft Table w/Stand, Feb. 2007, 31 pp.

Grizzly Industrial, Inc., Owners Manual illustrating an apparatus that Applicants believe was on sale or publicly available more than one

year before the filing date of the instant application, Model H2935 23"×31" Vacuum Sanding Table, May 2006, 35 pp.

Grizzly Industrial, Inc., Owners Manual illustrating an apparatus that Applicants believe was on sale or publicly available more than one year before the filing date of the instant application, Model W1733 Shop Fox Downdraft Table, May 2004, 2 pp.

Skil, Operating Instructions illustrating an apparatus that Applicants believe was on sale or publicly available more than one year before the filing date of the instant application, Model 3100-05 Downdraft Table for Xbench Portable Workstation, 11 pp.

\* cited by examiner

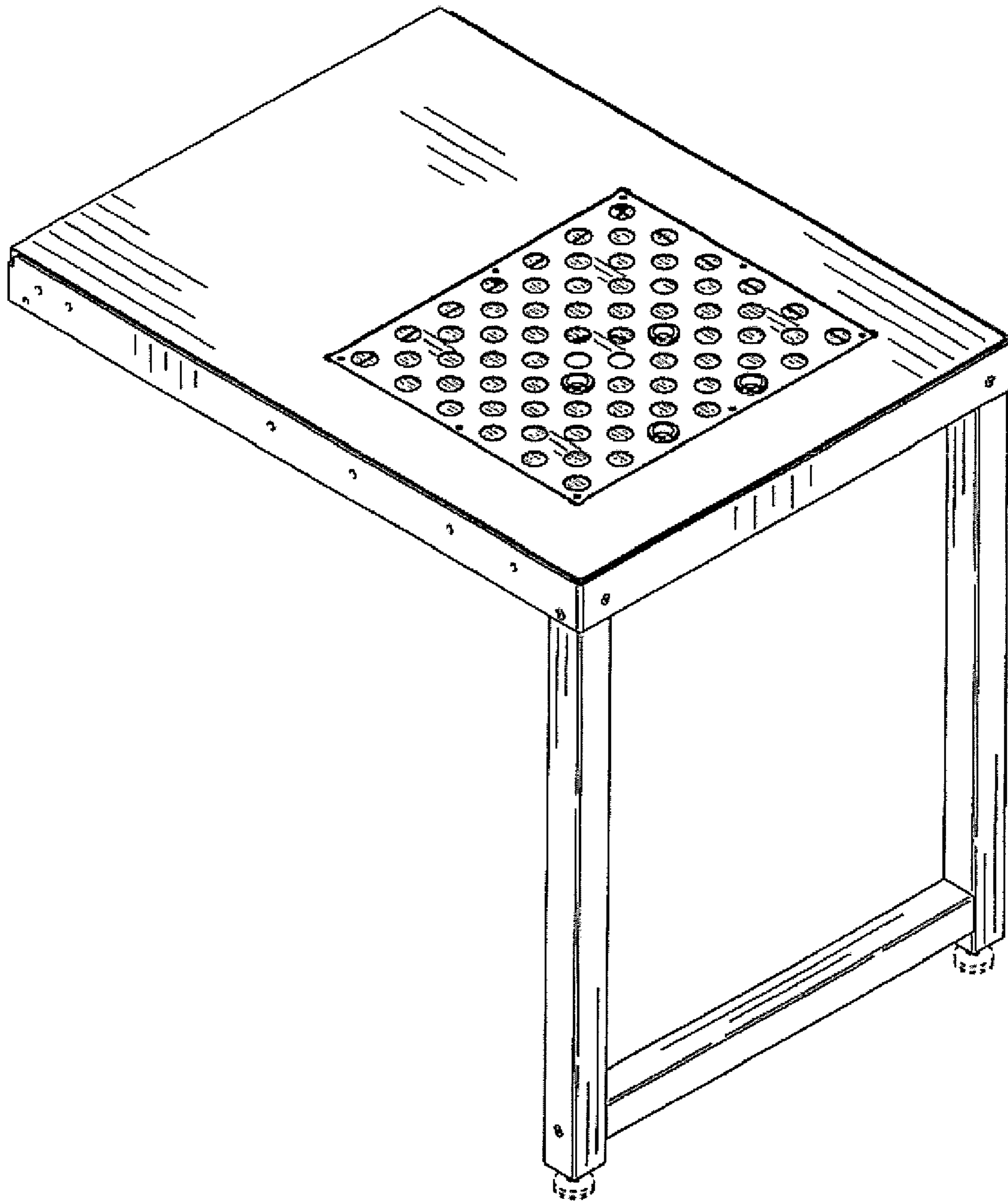


Fig. 1

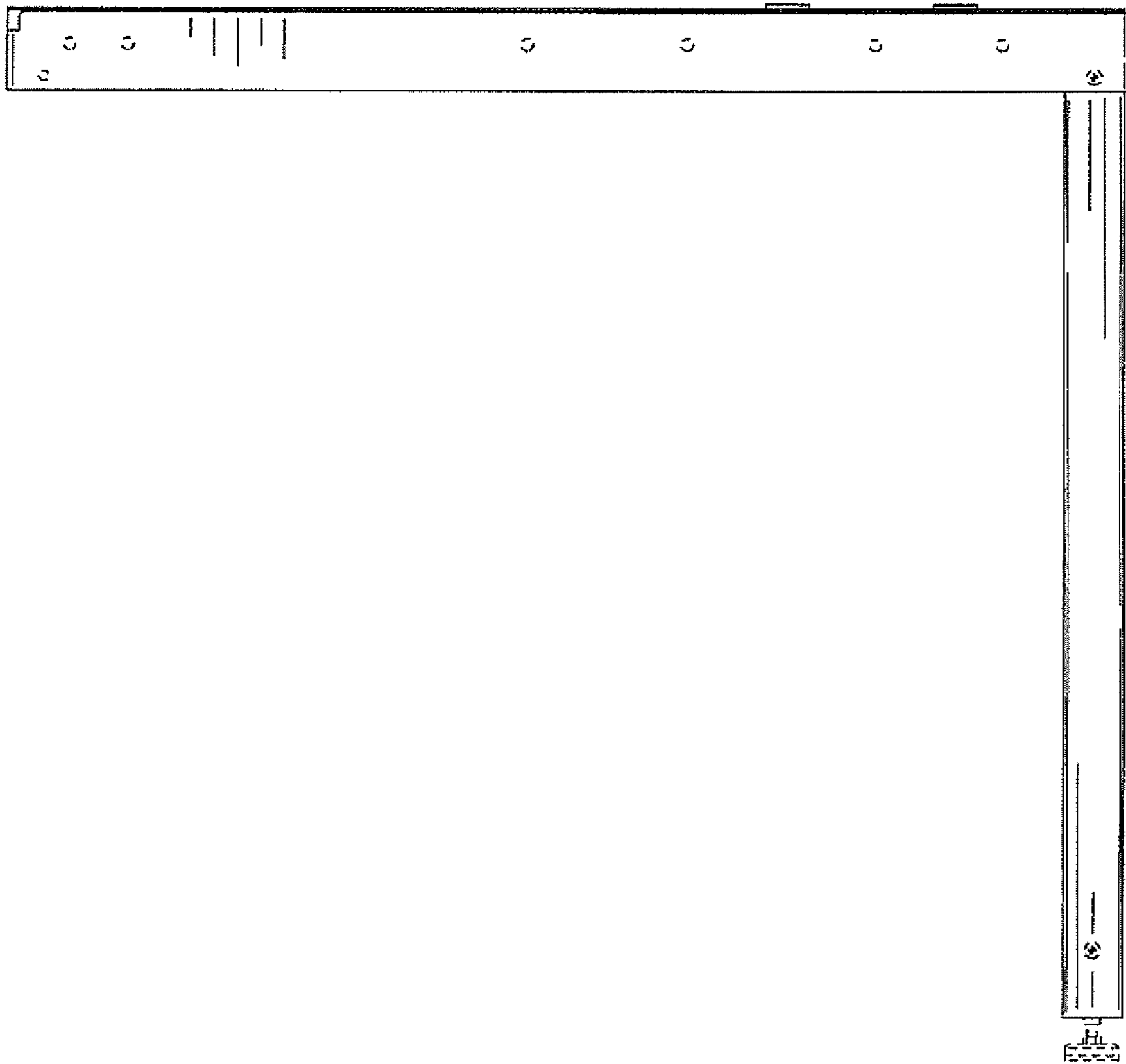


Fig. 2

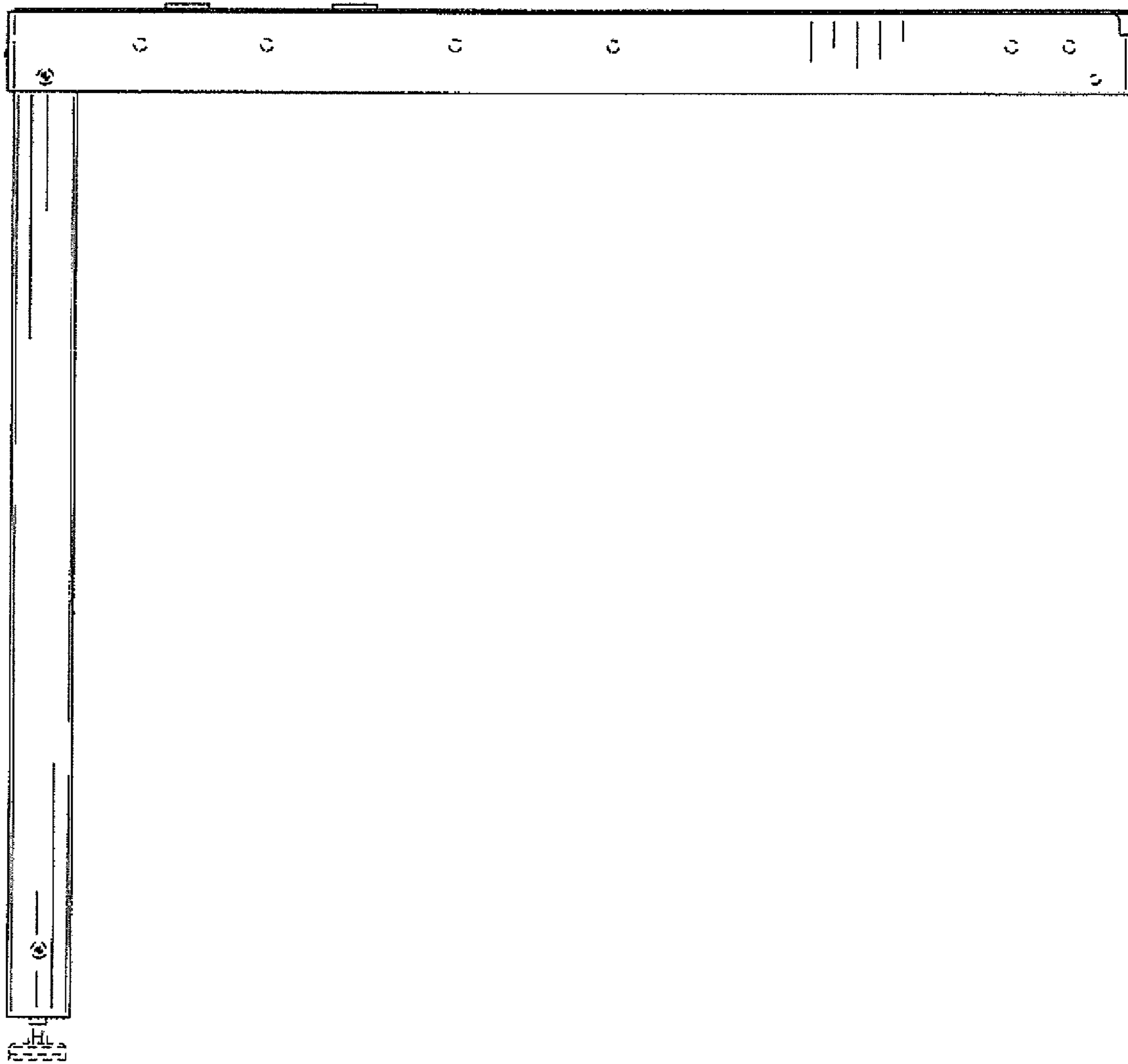


Fig. 3

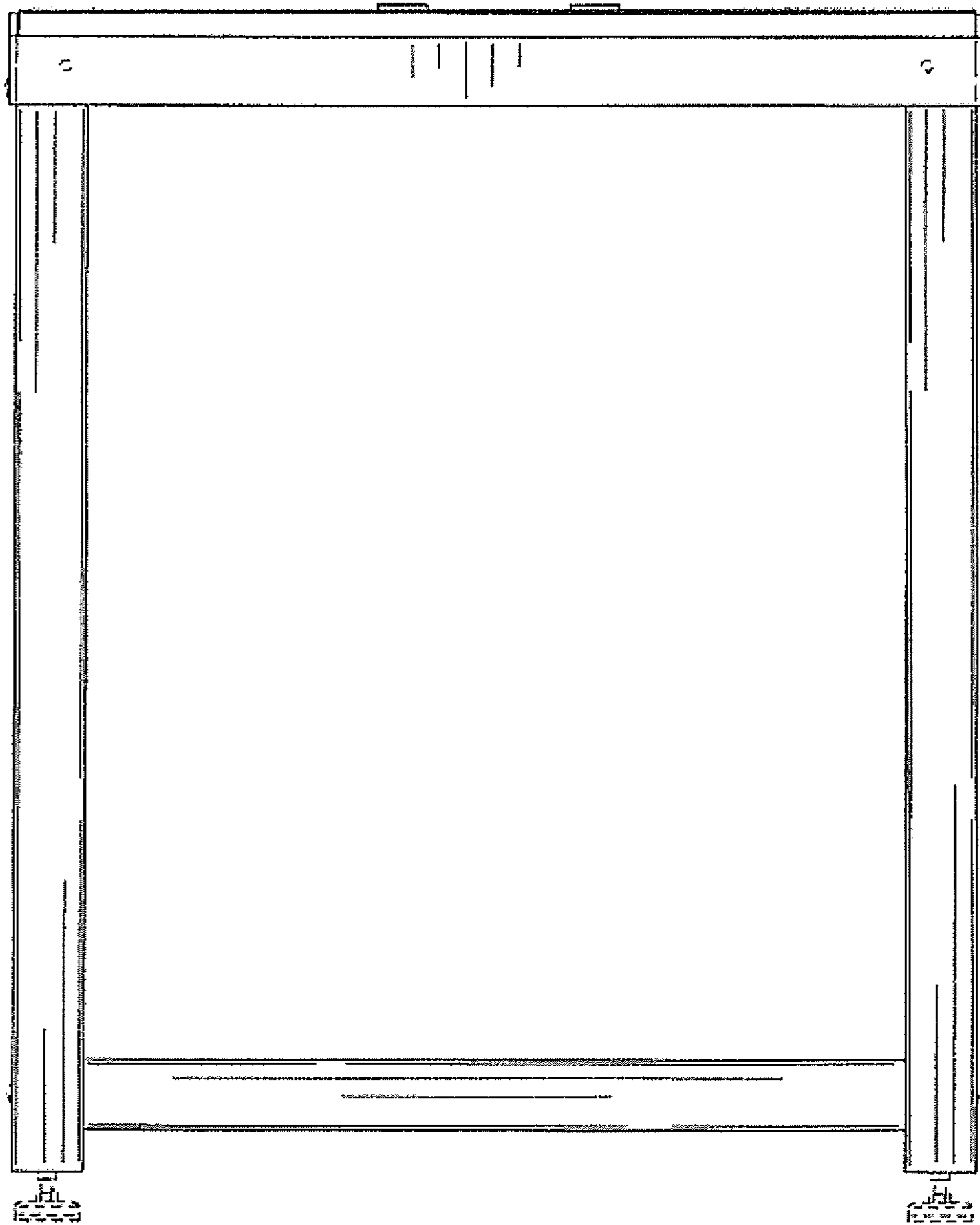


Fig. 4



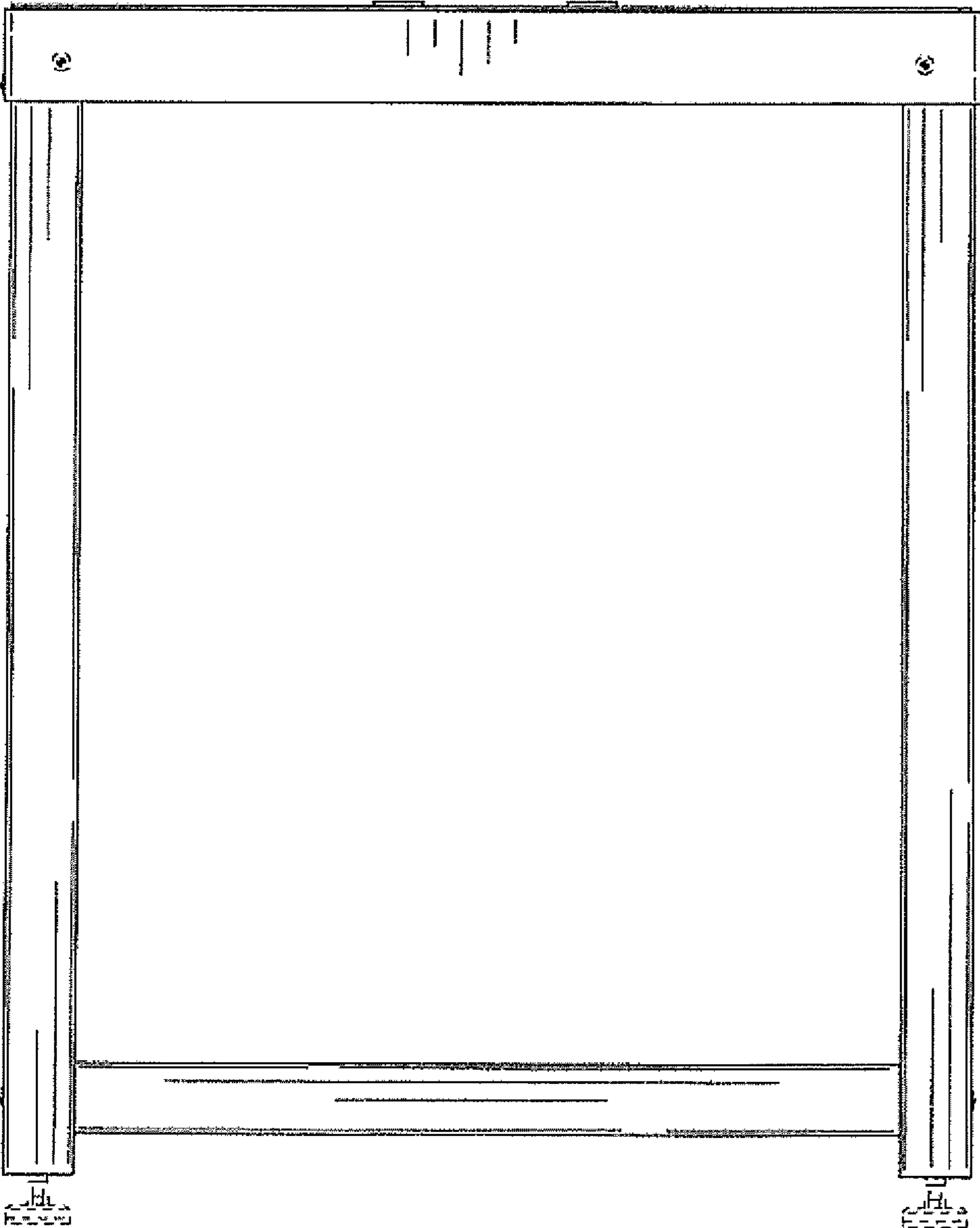


Fig. 5

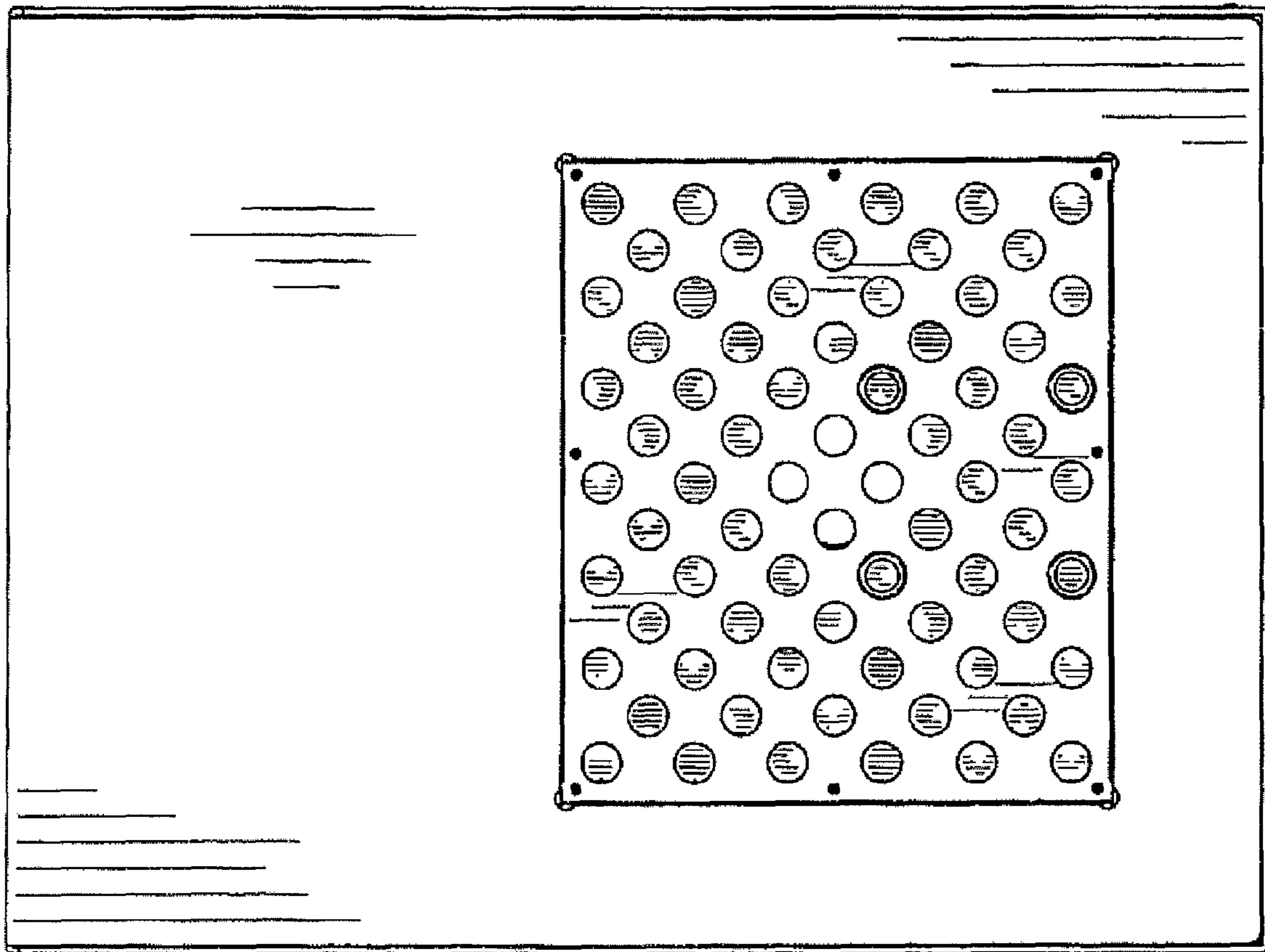


Fig. 6



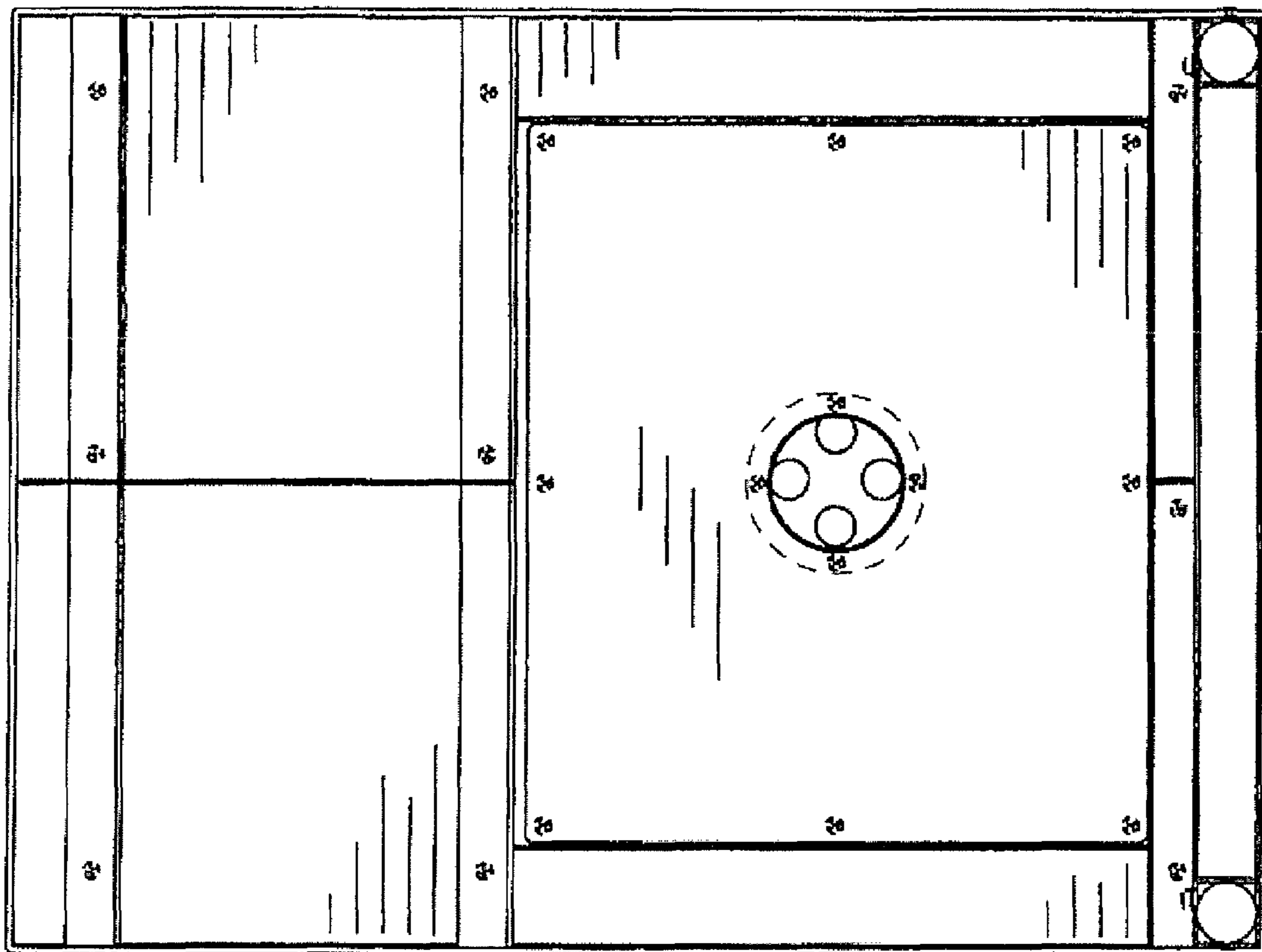


Fig. 7

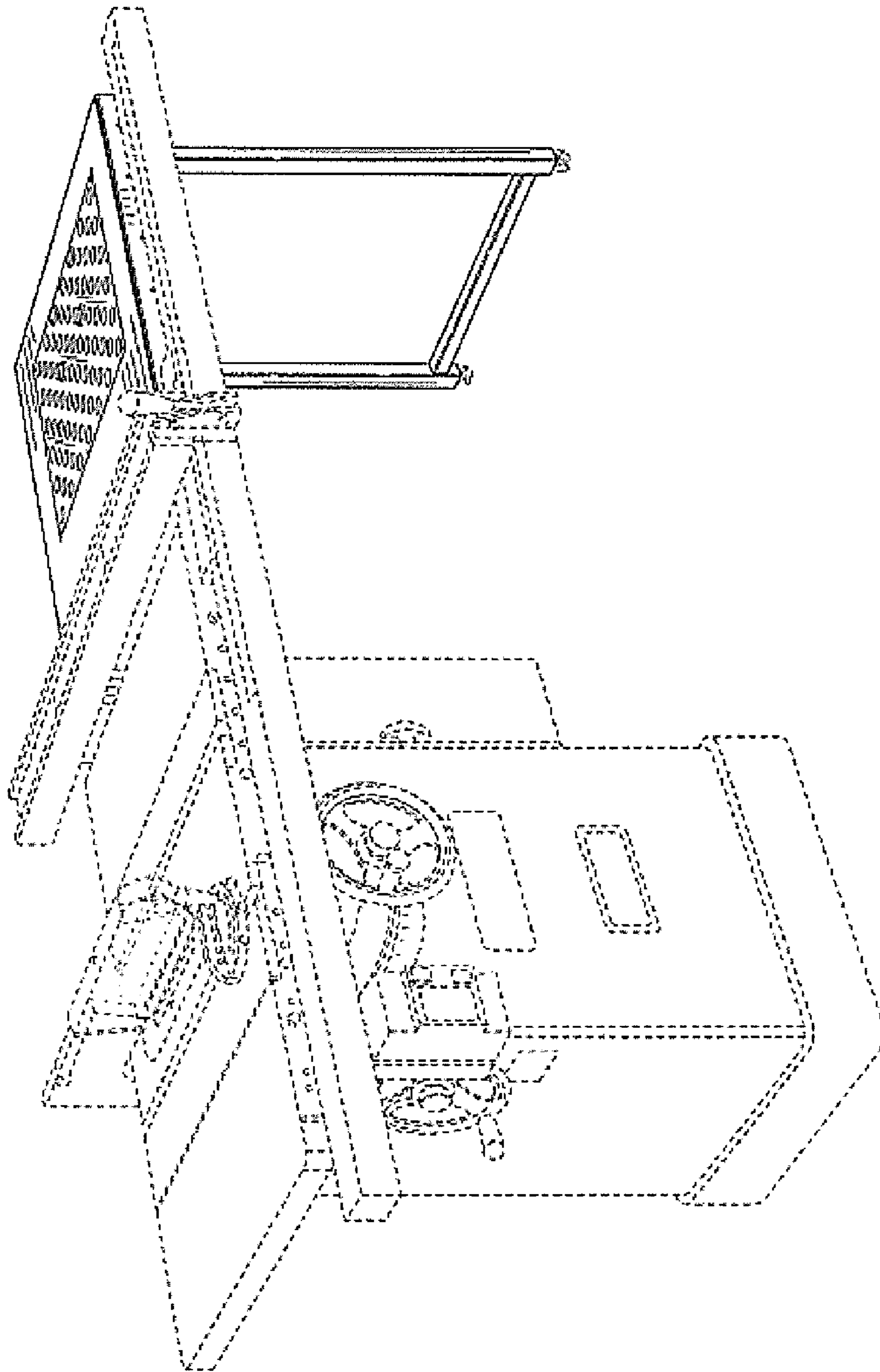


Fig. 8