



US00D638865S

(12) **United States Design Patent**
Dunn

(10) **Patent No.:** **US D638,865 S**

(45) **Date of Patent:** **** May 31, 2011**

(54) **TYRE CUTTING MACHINE**

(76) Inventor: **Brian Peter Dunn**, Sheffield (GB)

(**) Term: **14 Years**

(21) Appl. No.: **29/362,425**

(22) Filed: **May 25, 2010**

(30) **Foreign Application Priority Data**

Apr. 9, 2010 (EM) 001692542-0001

(51) **LOC (9) Cl.** **15-09**

(52) **U.S. Cl.** **D15/127**

(58) **Field of Classification Search** D15/127,
D15/199; 29/2.1, 2.22, 2.23; 82/49, 54,
82/56, 58, 59, 60, 66, 71, 72, 82, 86, 91,
82/101; 83/114, 133, 174, 176, 226, 425.3,
83/500, 622, 636, 639.1, 923, 928, 951, 955;
157/13, 14; 241/279, DIG. 31
See application file for complete search history.

(56) **References Cited**

U.S. PATENT DOCUMENTS

1,807,952 A * 6/1931 Altwater 83/134
3,830,120 A * 8/1974 Peterson 82/54
4,072,072 A * 2/1978 Harb 82/86
4,238,980 A * 12/1980 Frame 82/54
4,338,839 A * 7/1982 Farrell et al. 83/620

4,338,840 A * 7/1982 Farrell et al. 83/622
5,199,337 A * 4/1993 Parker 82/83
5,551,325 A * 9/1996 Schutt 83/133
5,601,004 A * 2/1997 Queen 82/54
2003/0110912 A1 * 6/2003 English et al. 83/420

* cited by examiner

Primary Examiner — Patricia Palasik

(74) *Attorney, Agent, or Firm* — Robert L. Epstein; Epstein Drangel LLP

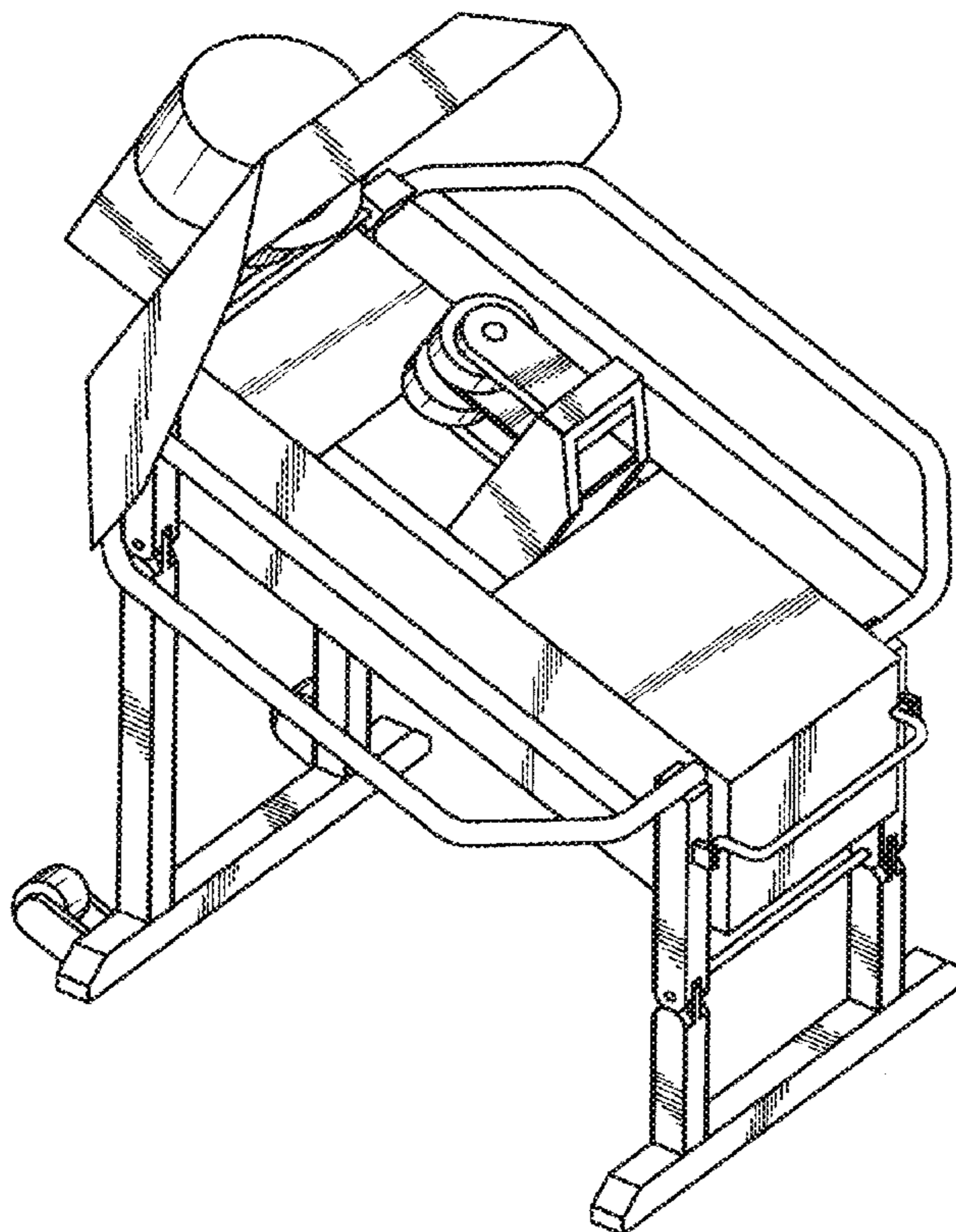
(57) **CLAIM**

The ornamental design for a tyre cutting machine, as shown and described.

DESCRIPTION

FIG. 1 is a perspective view showing the front, top and left-side of my invention;
FIG. 2 is a perspective view showing the front, top and right-side of my invention;
FIG. 3 is an elevation view showing the left-side of my invention;
FIG. 4 is an elevation view showing the right-side of my invention;
FIG. 5 is an elevation view showing the front of my invention;
FIG. 6 is an elevation view showing the rear of my invention;
FIG. 7 is a plan view showing the top of my invention; and,
FIG. 8 is a plan view showing the bottom of my invention.

1 Claim, 8 Drawing Sheets



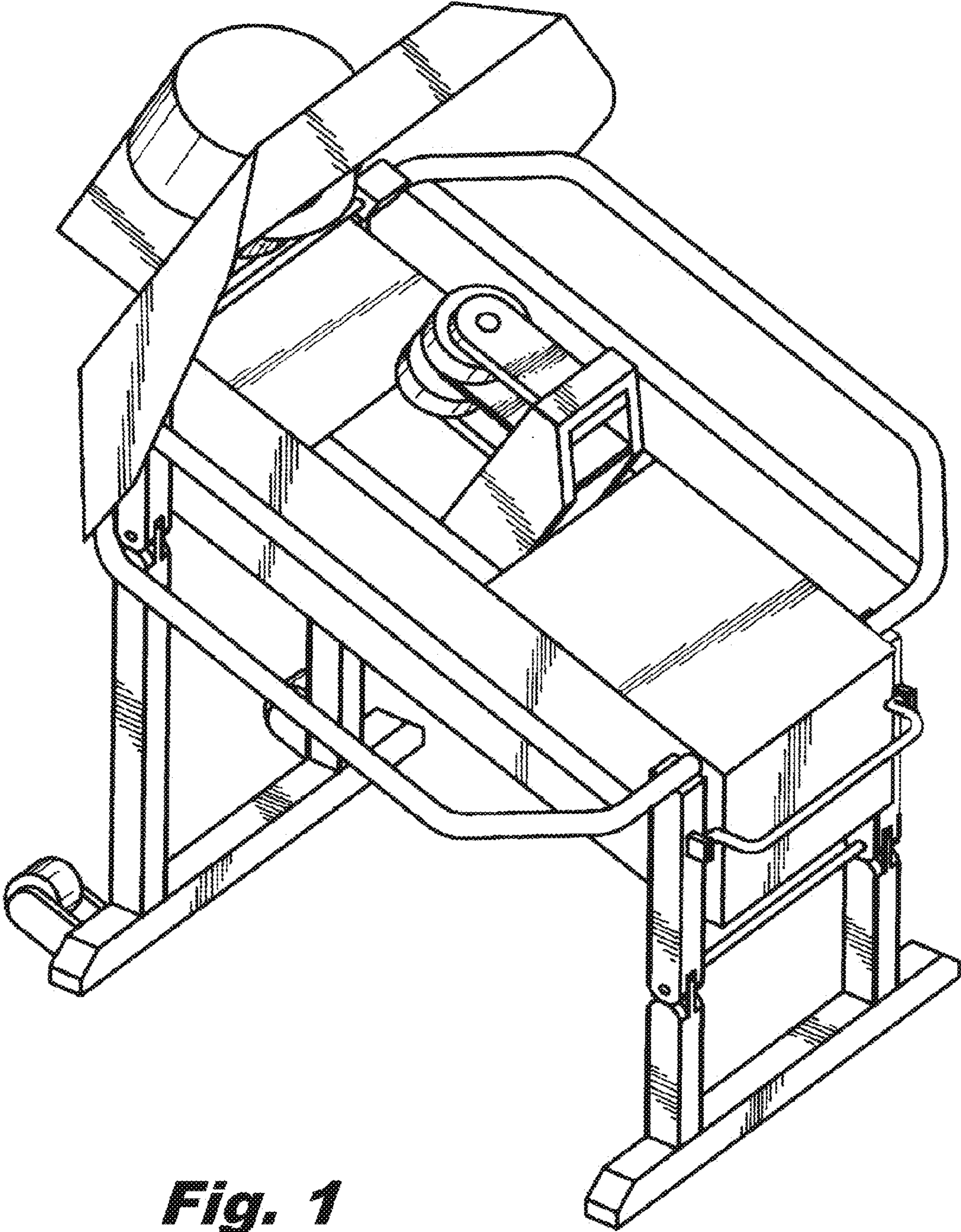


Fig. 1

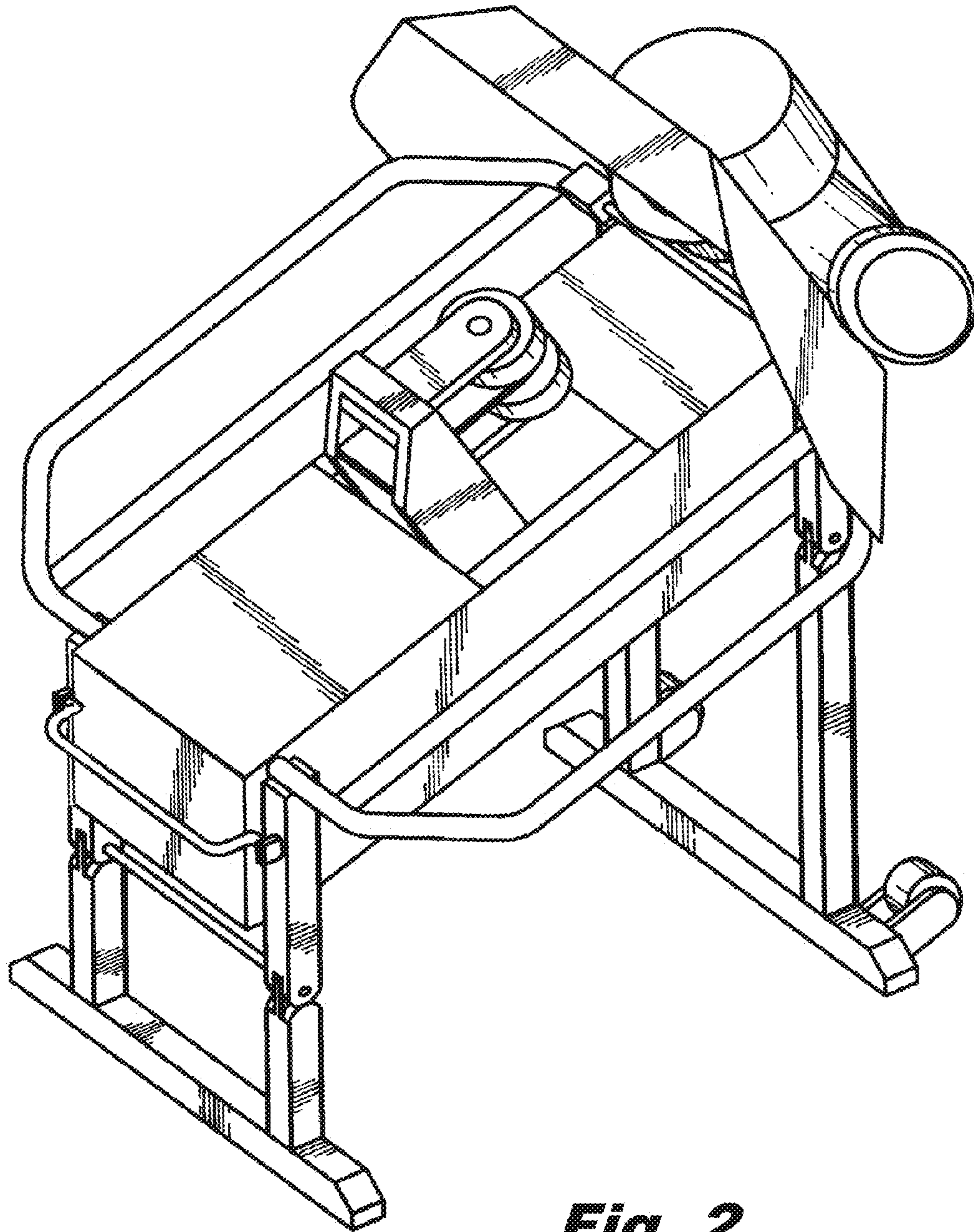


Fig. 2

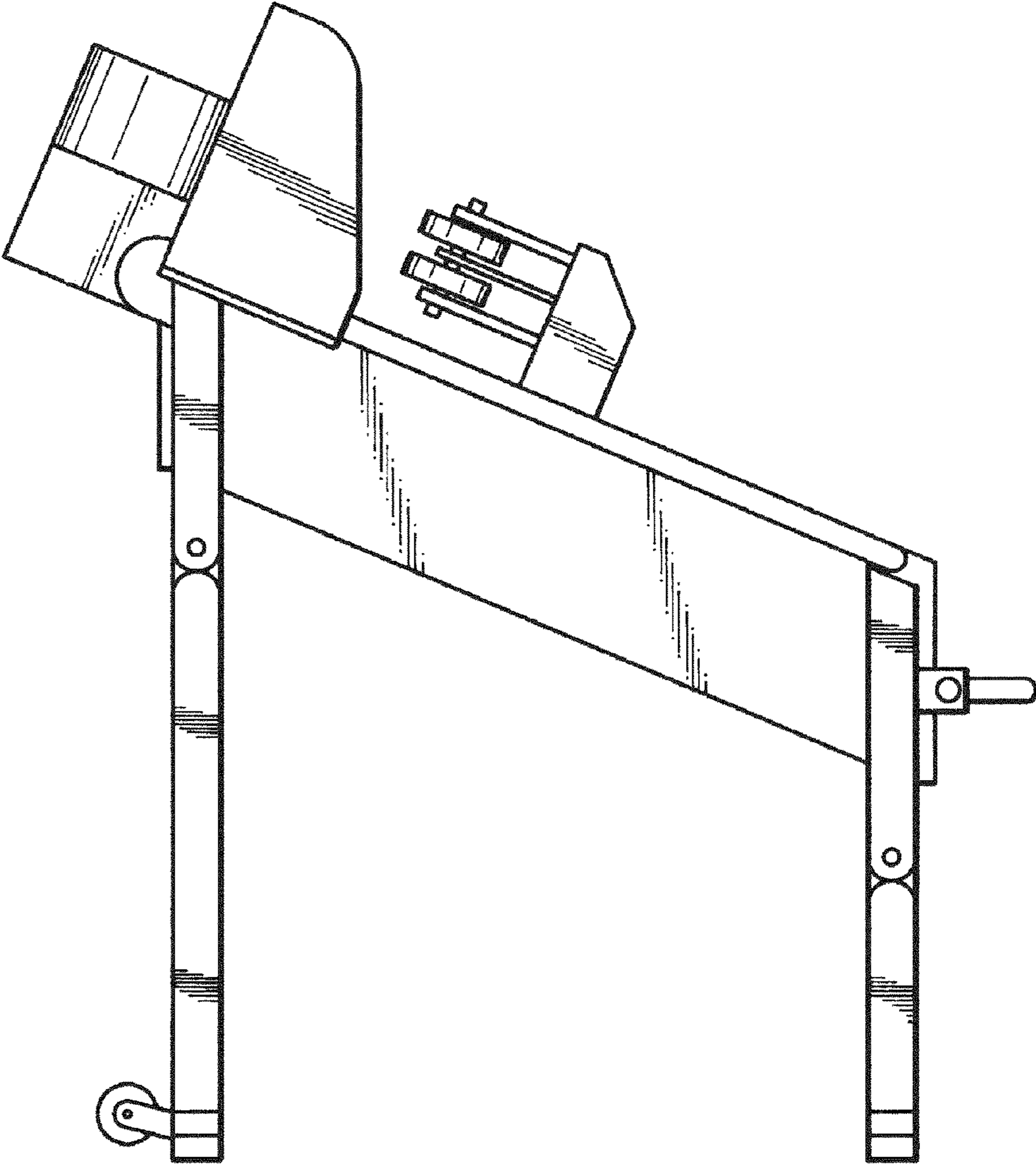


Fig. 3

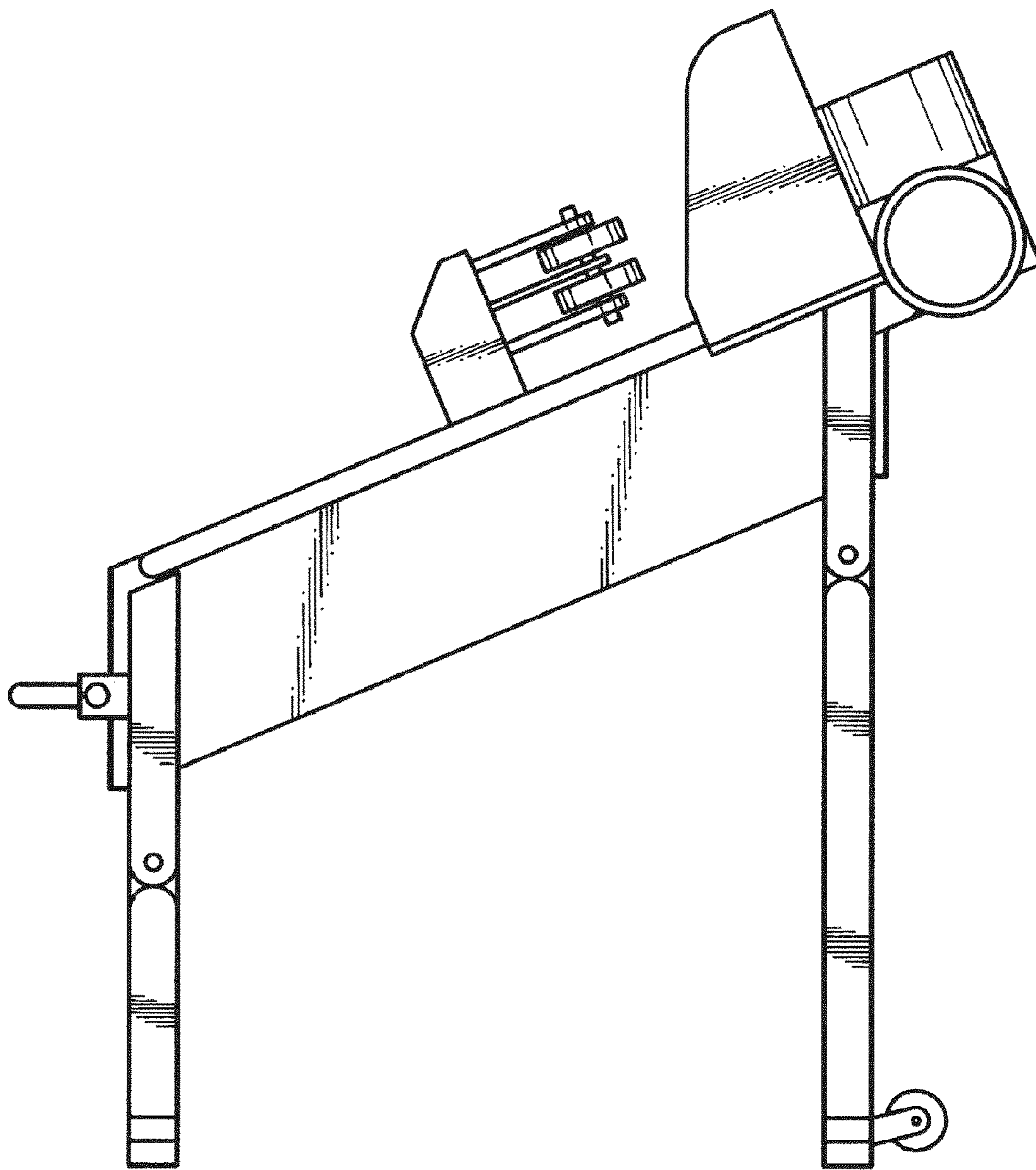


Fig. 4

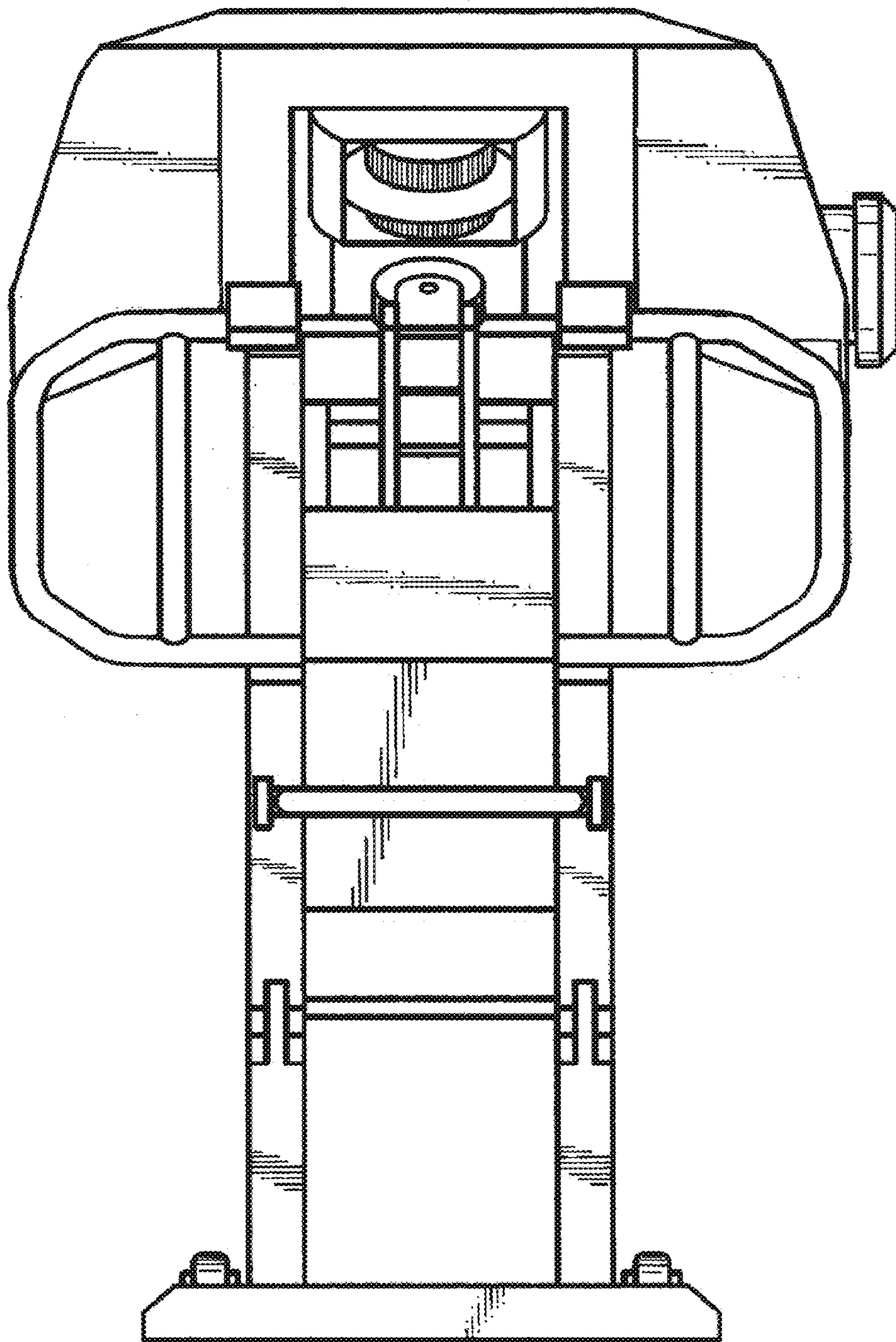


Fig. 5

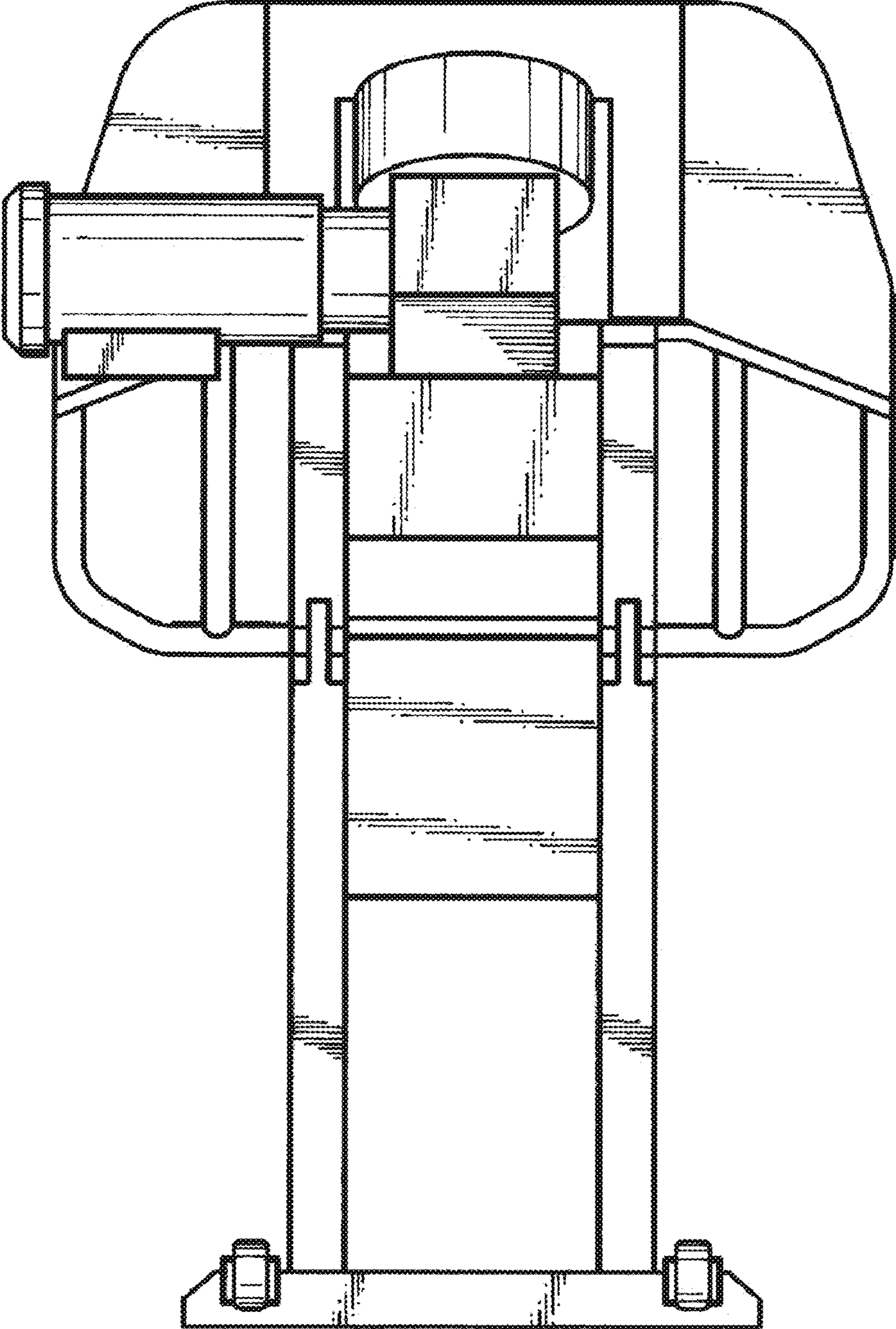


Fig. 6

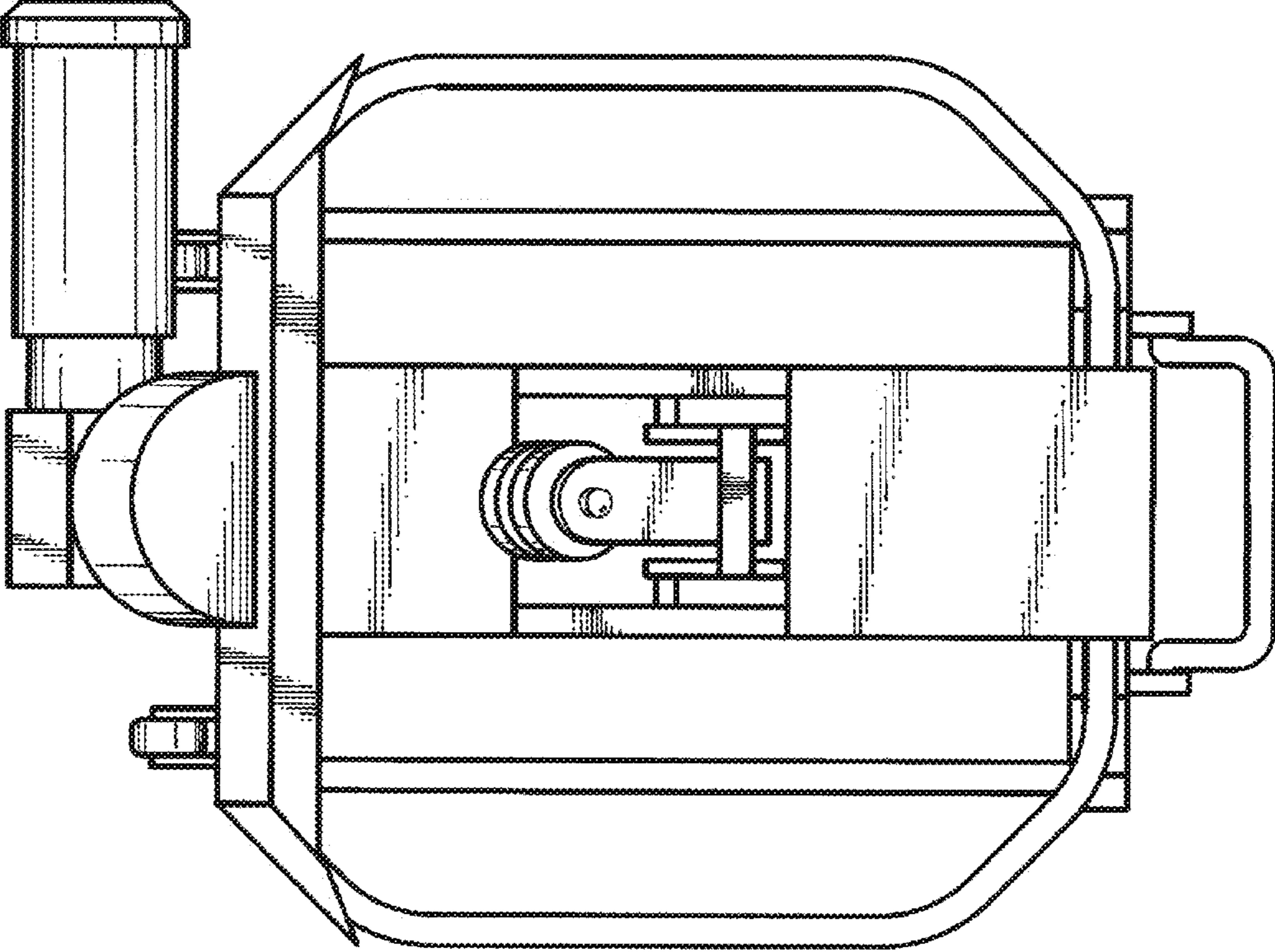


Fig. 7

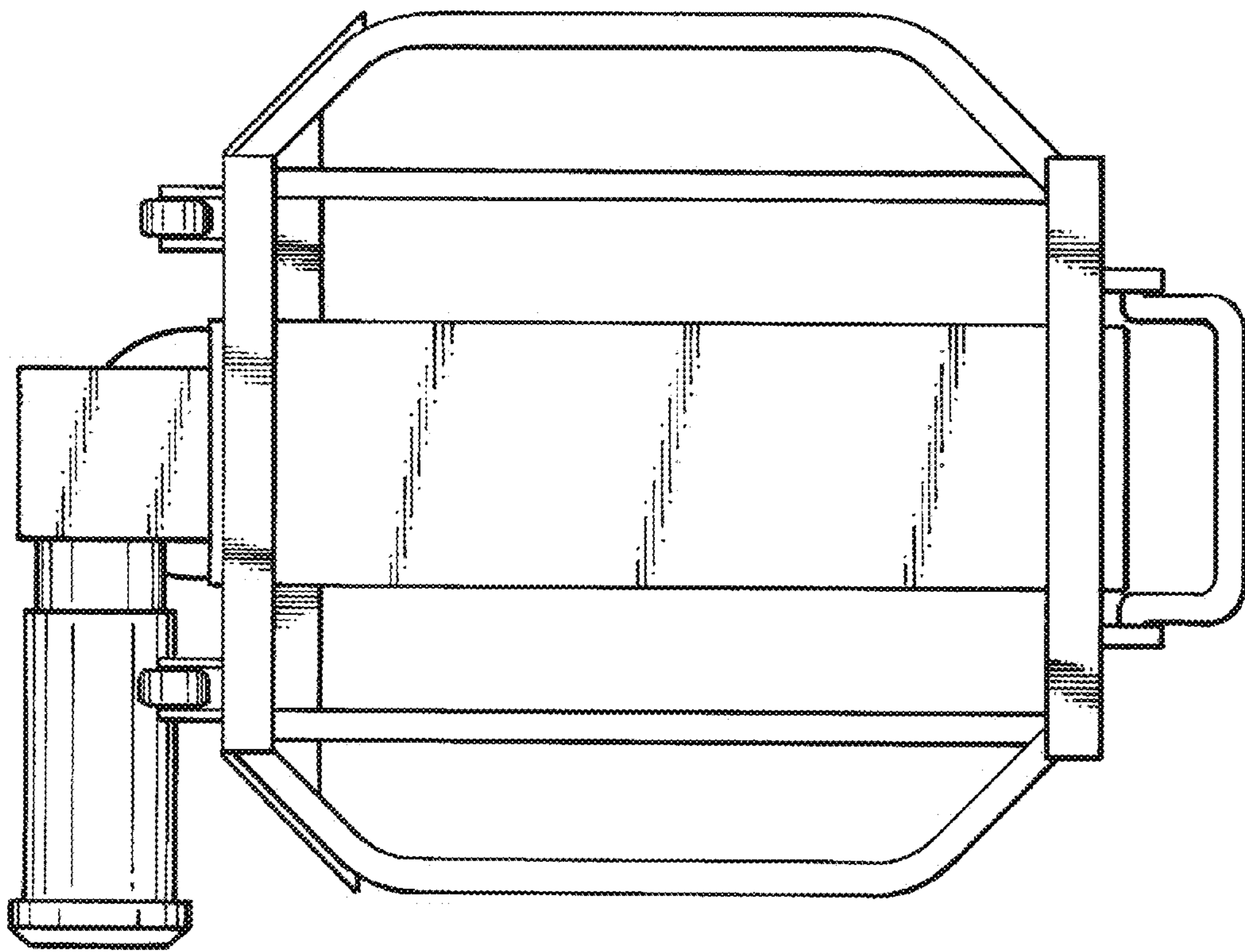


Fig. 8