



US00D638864S

(12) **United States Design Patent**
Comas

(10) **Patent No.:** **US D638,864 S**

(45) **Date of Patent:** **** May 31, 2011**

(54) **CERAMIC CUTTER**

(75) **Inventor:** **Josep Torrents I Comas, Rubi (ES)**

(73) **Assignee:** **Germans Boada, S.A. (ES)**

(**) **Term:** **14 Years**

(21) **Appl. No.:** **29/361,488**

(22) **Filed:** **May 12, 2010**

(30) **Foreign Application Priority Data**

Nov. 12, 2009 (EM) 001634981-0001

(51) **LOC (9) Cl.** **15-09**

(52) **U.S. Cl.** **D15/127**

(58) **Field of Classification Search** D8/51,
D8/52, 98; D15/127; 83/614, 881, 886;
125/23.01, 23.02

See application file for complete search history.

(56) **References Cited**

U.S. PATENT DOCUMENTS

D291,578 S *	8/1987	Hepworth	D15/127
D331,762 S *	12/1992	Matt	D15/127
5,626,124 A *	5/1997	Chen	125/23.02
D422,607 S *	4/2000	Turner et al.	D15/127
D424,585 S *	5/2000	Torrents Comas	D15/127
D434,782 S *	12/2000	Comas	D15/127
6,164,272 A *	12/2000	Fouy	125/12
D476,213 S *	6/2003	Hepworth	D8/98

D533,426 S *	12/2006	Torrents Comas	D8/98
D541,127 S *	4/2007	Yang	D8/98
7,434,576 B2 *	10/2008	Hwang	125/23.02
D597,568 S *	8/2009	I Comas	D15/127
2003/0047056 A1 *	3/2003	Torrents I Comas	83/886
2005/0016518 A1 *	1/2005	Ishii	125/23.02

* cited by examiner

Primary Examiner — Patricia Palasik

(74) *Attorney, Agent, or Firm* — Ostrolenk Faber LLP

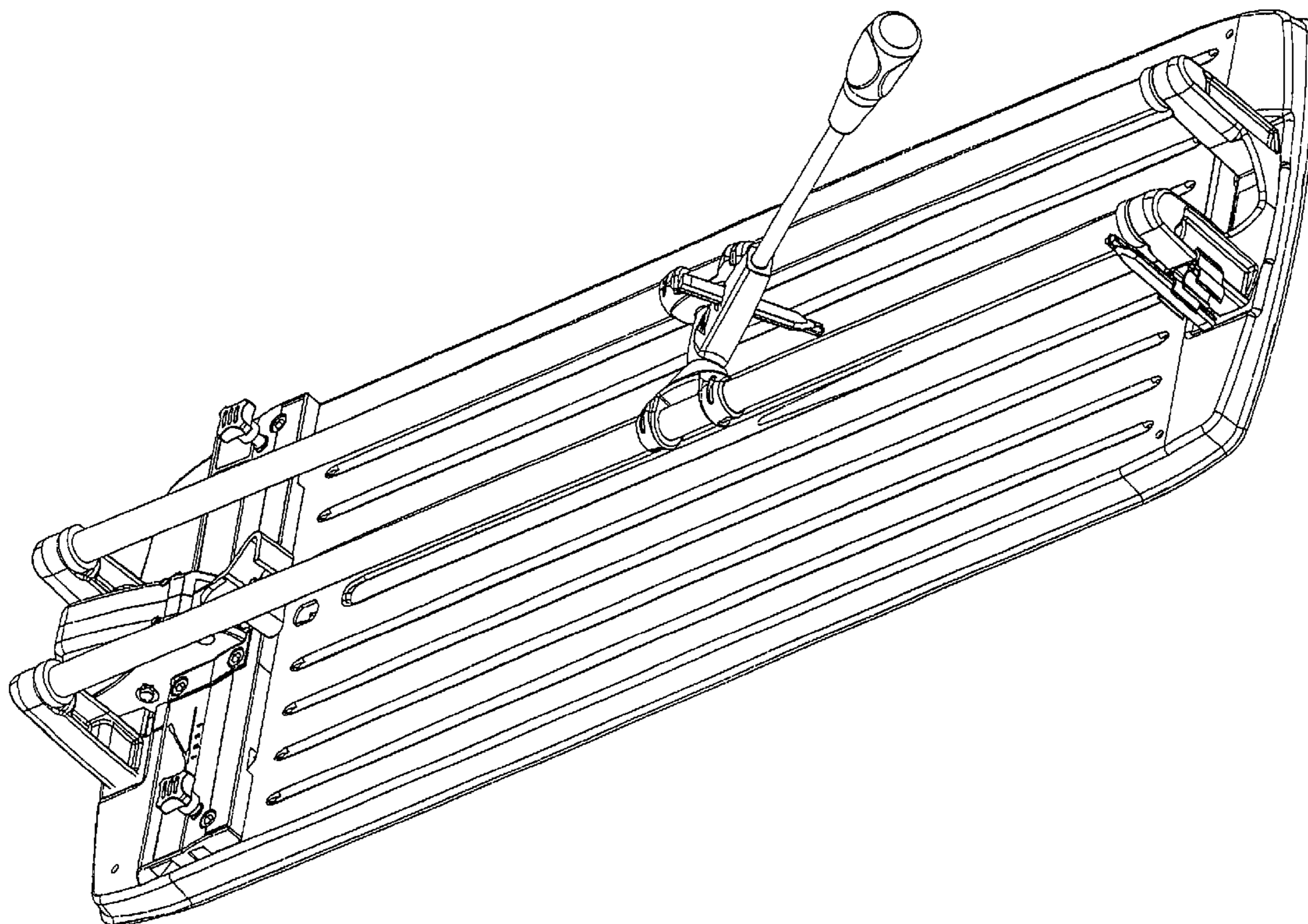
(57) **CLAIM**

The ornamental design for a ceramic cutter, as shown and described.

DESCRIPTION

FIG. 1 is a top, end, side, perspective view of a ceramic cutter showing my new design;
 FIG. 2 is a top view thereof;
 FIG. 3 is a bottom view thereof;
 FIG. 4 is a side view thereof in a first position;
 FIG. 5 is an opposite side view thereof in a second position;
 FIG. 6 is an end view thereof;
 FIG. 7 is an opposite end view thereof;
 FIG. 8 is a fragmentary perspective view of the right end region thereof in one direction; and,
 FIG. 9 is a fragmentary perspective view of the right end region thereof in a contrasting direction.
 The broken lines in the drawings illustrate environmental material that forms no part of the claimed design.

1 Claim, 9 Drawing Sheets



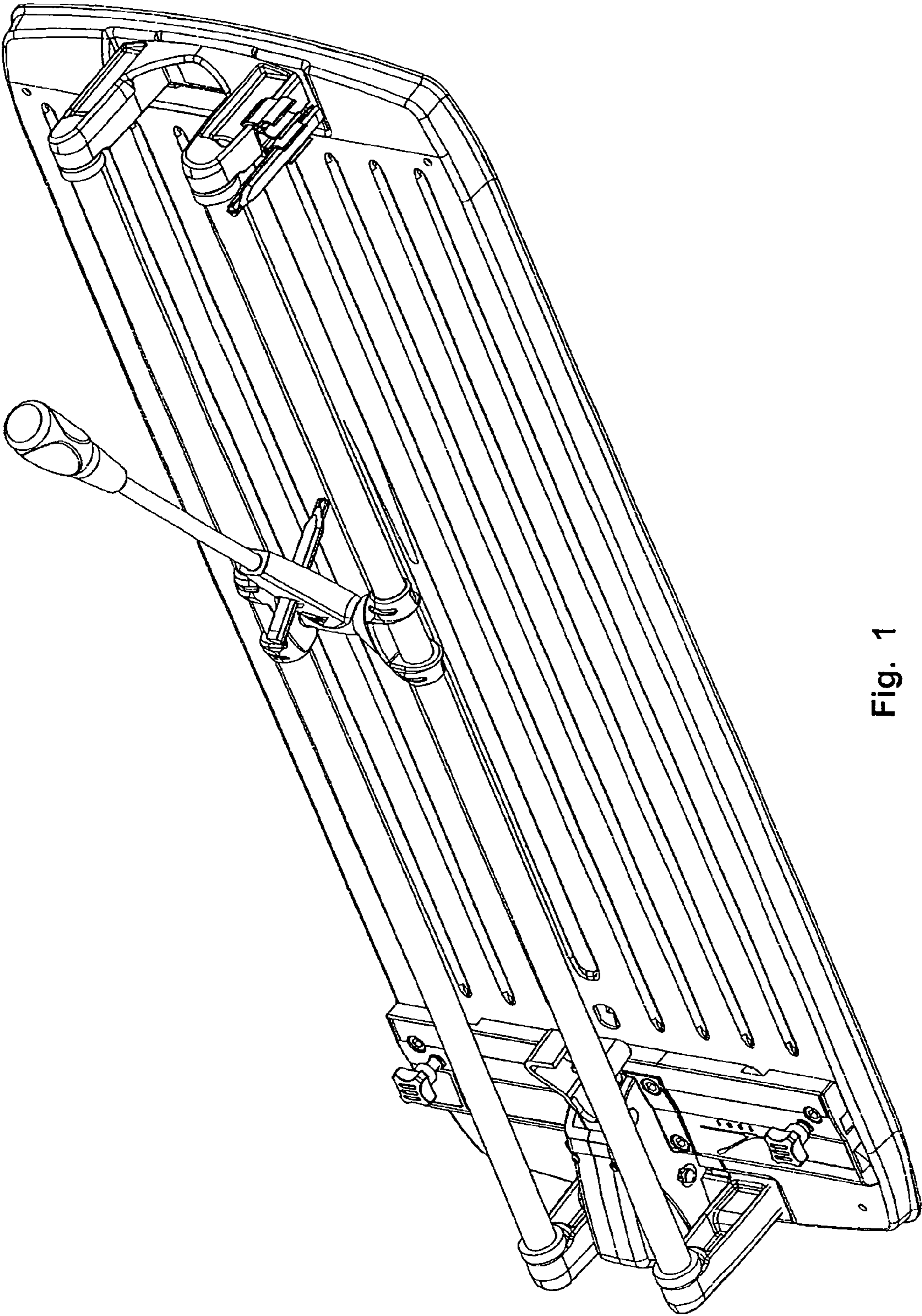


Fig. 1

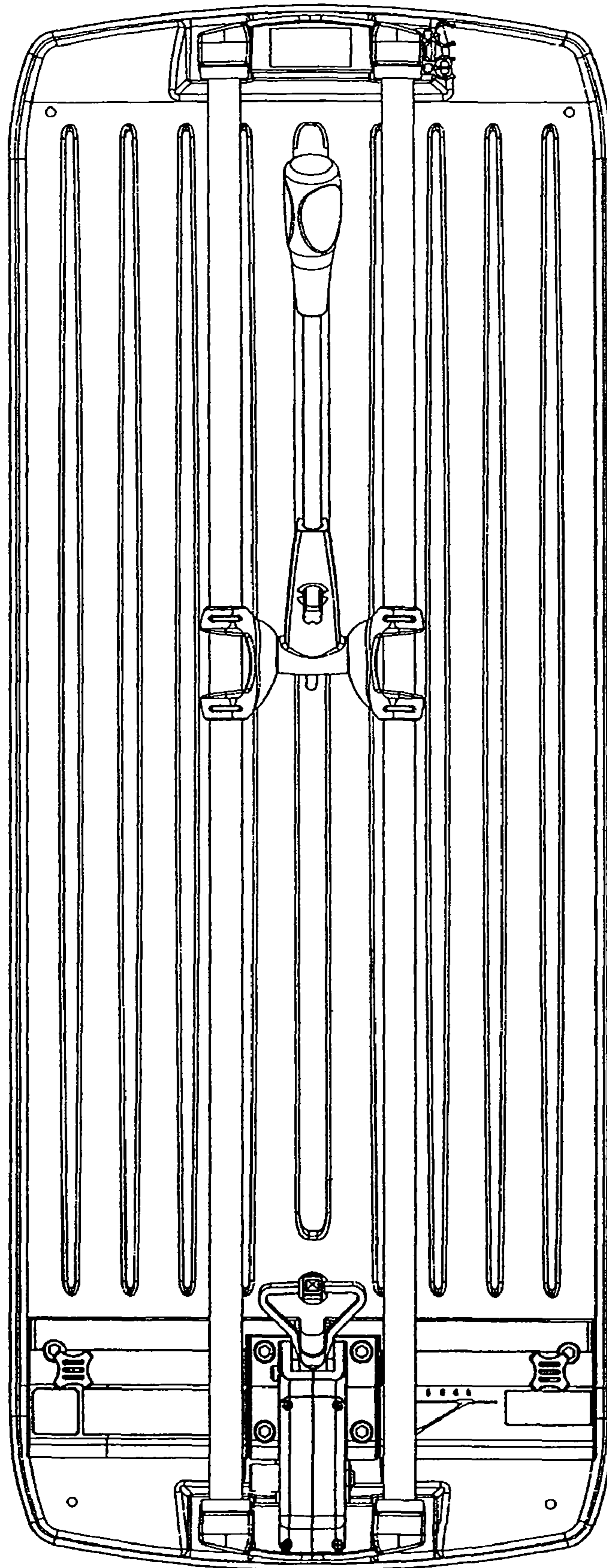


Fig. 2

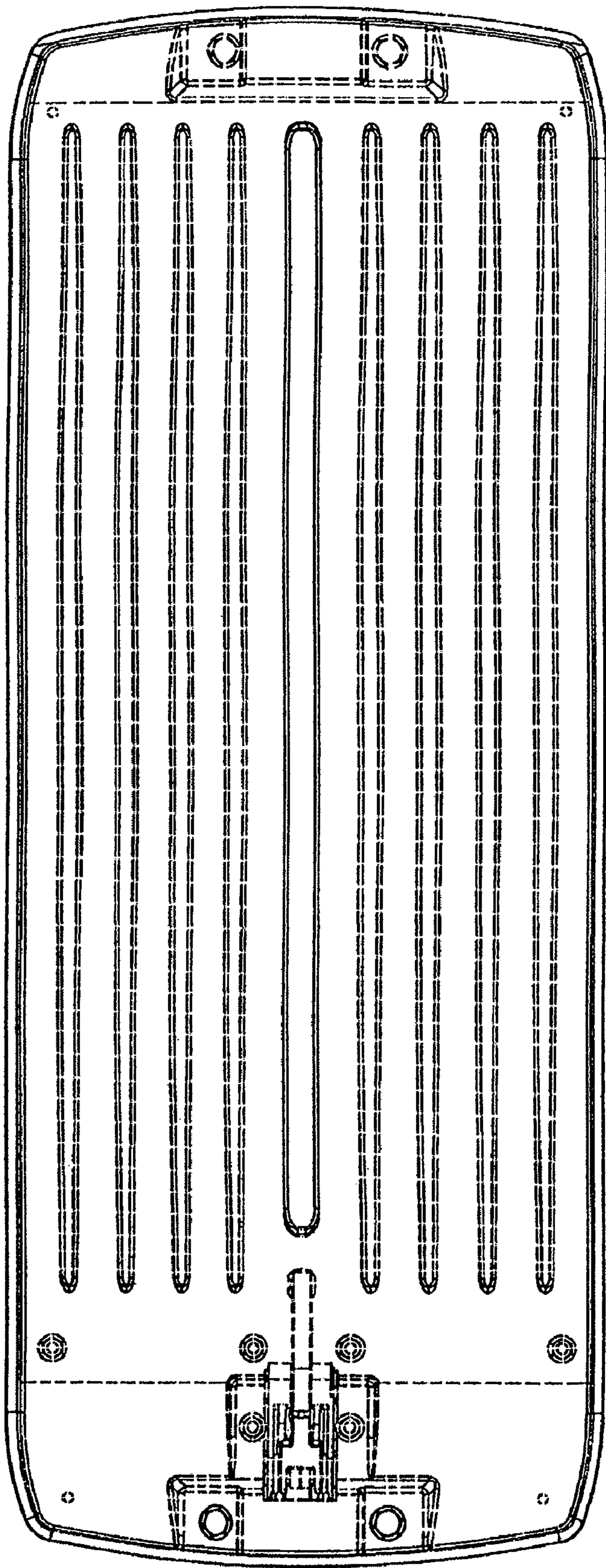


Fig. 3

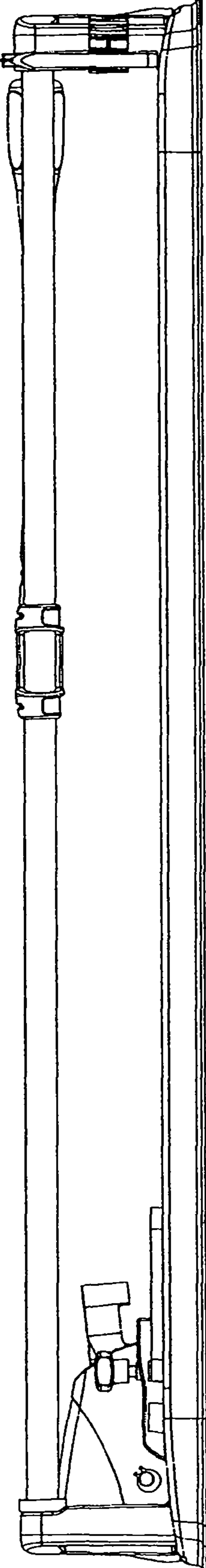


Fig. 4

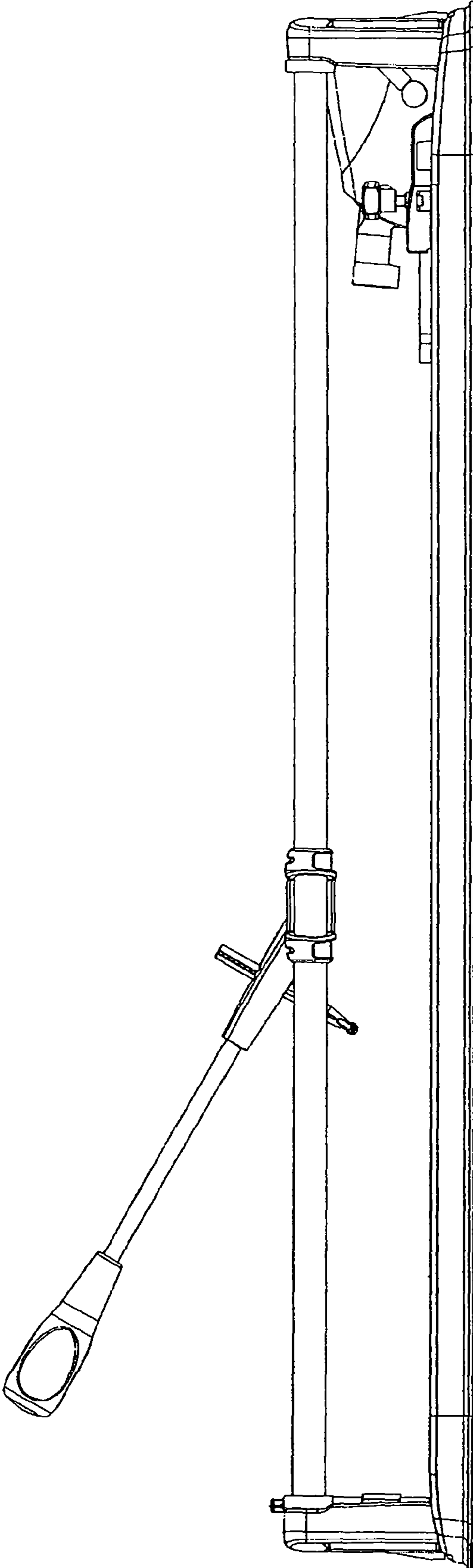


Fig. 5

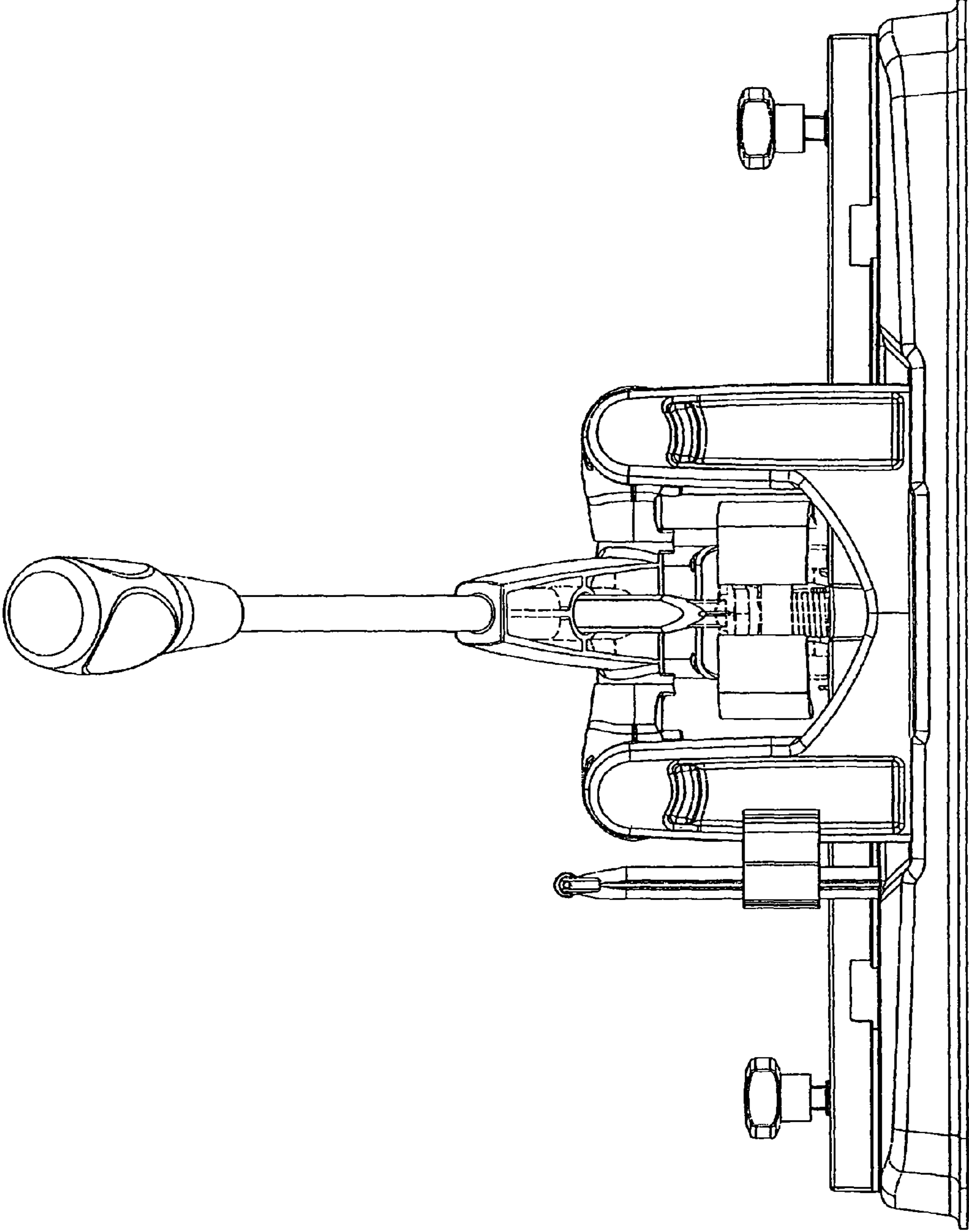


Fig. 6

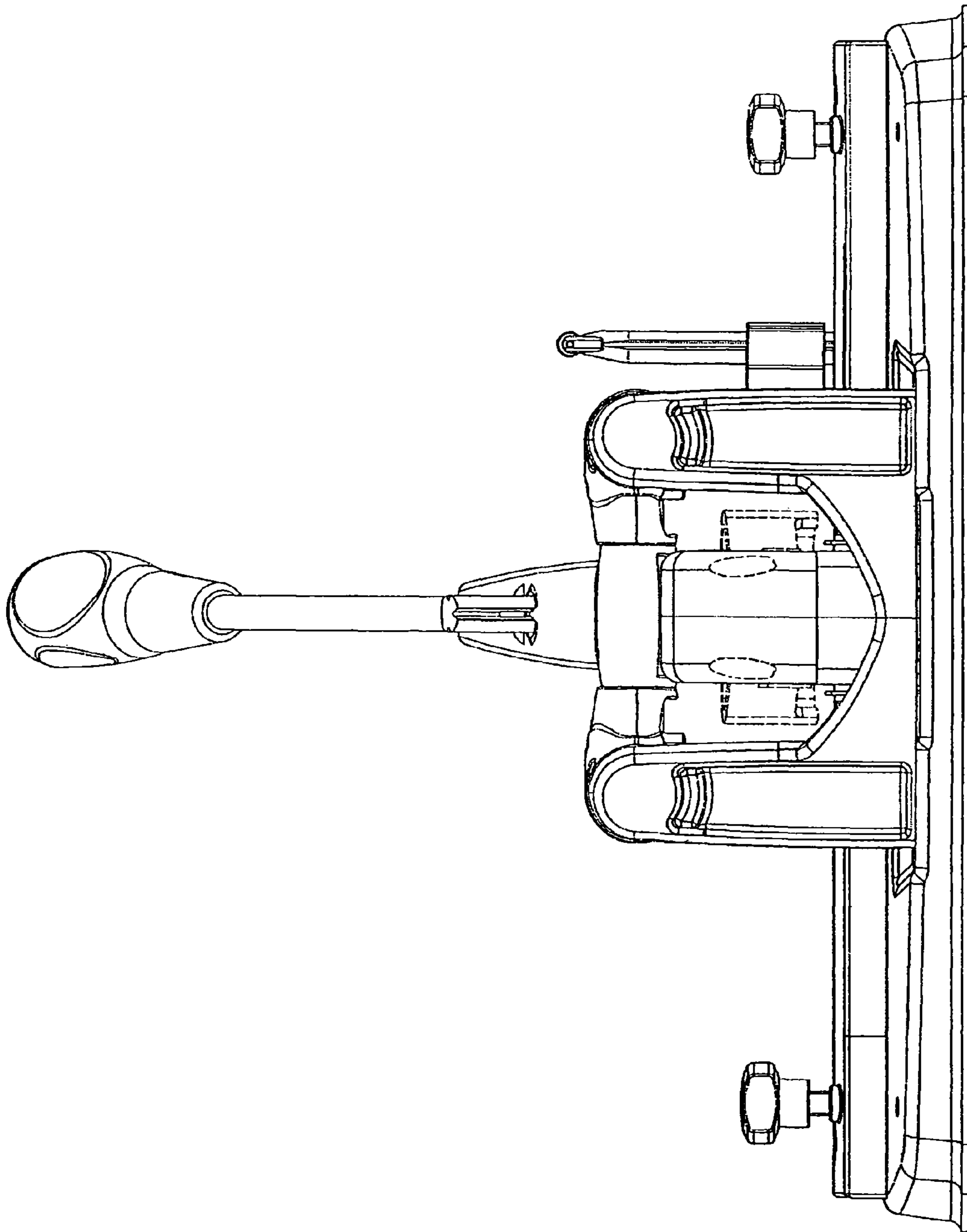


Fig. 7

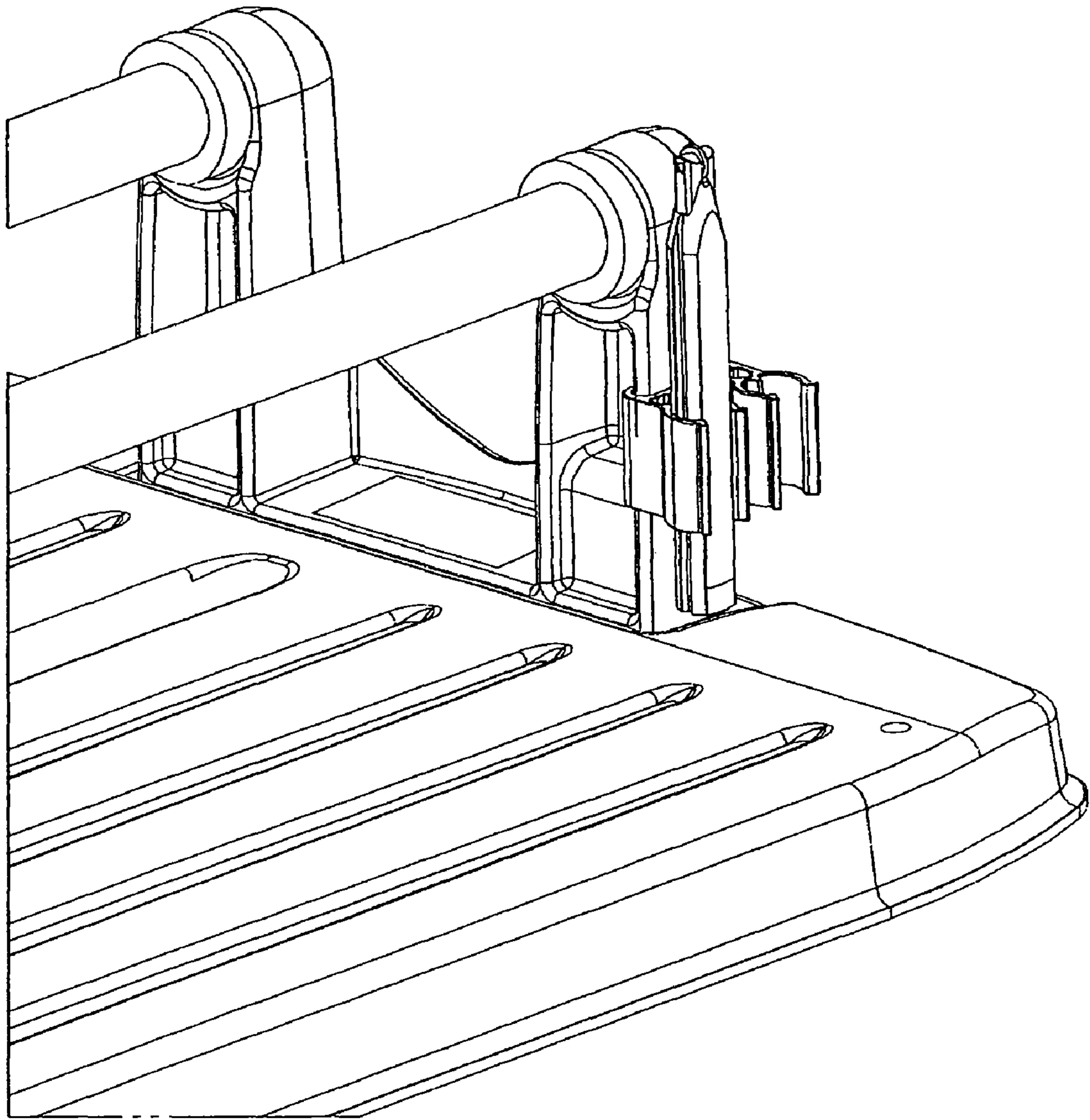


Fig. 8

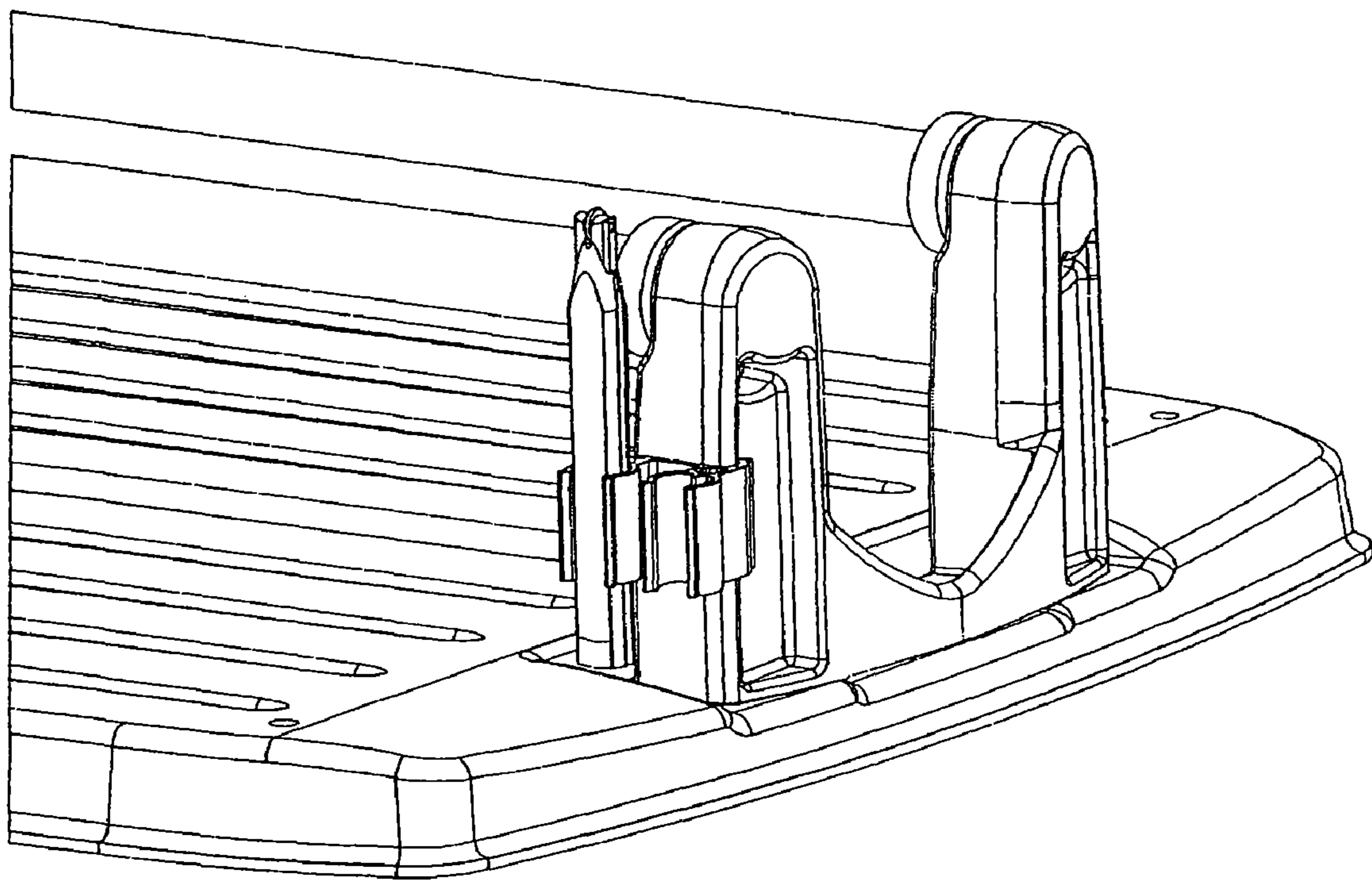


Fig. 9