



US00D638862S

(12) **United States Design Patent**
Kobayashi et al.

(10) **Patent No.:** **US D638,862 S**

(45) **Date of Patent:** **** May 31, 2011**

(54) **AERATION TINE FOR A LAWN TENDING MACHINE**

(75) Inventors: **Mitsuharu Kobayashi**, Nigata (JP);
Teizo Kobayashi, Nigata (JP); **Atsushi Ikarashi**, Nigata (JP)

(73) Assignee: **KBS Inc.**, Niigata (JP)

(**) Term: **14 Years**

(21) Appl. No.: **29/338,181**

(22) Filed: **Jun. 5, 2009**

(30) **Foreign Application Priority Data**

Dec. 5, 2008 (JP) 2008-31126

(51) **LOC (9) Cl.** **15-03**

(52) **U.S. Cl.** **D15/29**

(58) **Field of Classification Search** D15/10-12,
D15/17, 28, 29; 172/21, 22, 44, 59, 684.5,
172/699, 713, 720, 724, 765

See application file for complete search history.

(56) **References Cited**

U.S. PATENT DOCUMENTS

D33,819	S	*	1/1901	Kaylor	D15/29
D231,748	S	*	6/1974	Van Der Lely et al.	D15/29
D236,906	S	*	9/1975	Van Der Lely et al.	D15/29
D237,525	S	*	11/1975	Van Der Lely et al.	D15/29
D237,527	S	*	11/1975	Van Der Lely	D15/29
D242,737	S	*	12/1976	van der Lely et al.	D15/29
D243,207	S	*	1/1977	Van der Lely	D15/29
D243,275	S	*	2/1977	van der Lely	D15/29
D243,708	S	*	3/1977	van der Lely et al.	D15/29

4,033,418	A	*	7/1977	van der Lely	172/49.5
D245,910	S	*	9/1977	Van Der Lely	D15/29
D246,457	S	*	11/1977	Van Der Lely	D15/29
D246,716	S	*	12/1977	Van Der Lely	D15/29
D250,714	S	*	1/1979	Van Der Lely	D15/29
D263,233	S	*	3/1982	van der Lely	D15/29
D300,223	S	*	3/1989	Livingstone	D15/29
4,881,602	A	*	11/1989	Hansen et al.	172/22
D371,797	S	*	7/1996	Bruns	D15/28
5,680,903	A	*	10/1997	Oliver	172/22
D503,938	S	*	4/2005	Vasilescu	D15/29
6,945,332	B2	*	9/2005	Uehara	172/22
7,152,691	B2	*	12/2006	Maas et al.	172/22
7,484,568	B2	*	2/2009	Vasilescu	172/21
2004/0016553	A1	*	1/2004	Martindale	172/21
2005/0077059	A1	*	4/2005	Vasilescu	172/21
2005/0167126	A1	*	8/2005	Uehara	172/22
2006/0037762	A1	*	2/2006	Maas	172/22

* cited by examiner

Primary Examiner — Mark A Goodwin

(74) *Attorney, Agent, or Firm* — Smith Patent Office

(57) **CLAIM**

The ornamental design for an aeration tine for a lawn tending machine, as shown and described.

DESCRIPTION

FIG. 1 is a perspective view of an aeration tine for a lawn tending machine;

FIG. 2 is a front elevational view thereof;

FIG. 3 is a right side elevational view thereof;

FIG. 4 is a rear elevational view thereof;

FIG. 5 is an enlarged top plan view thereof; and,

FIG. 6 is an enlarged bottom plan view thereof.

1 Claim, 2 Drawing Sheets



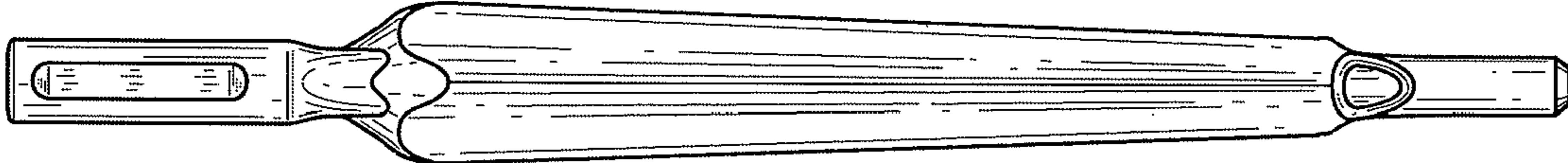


FIG. 2

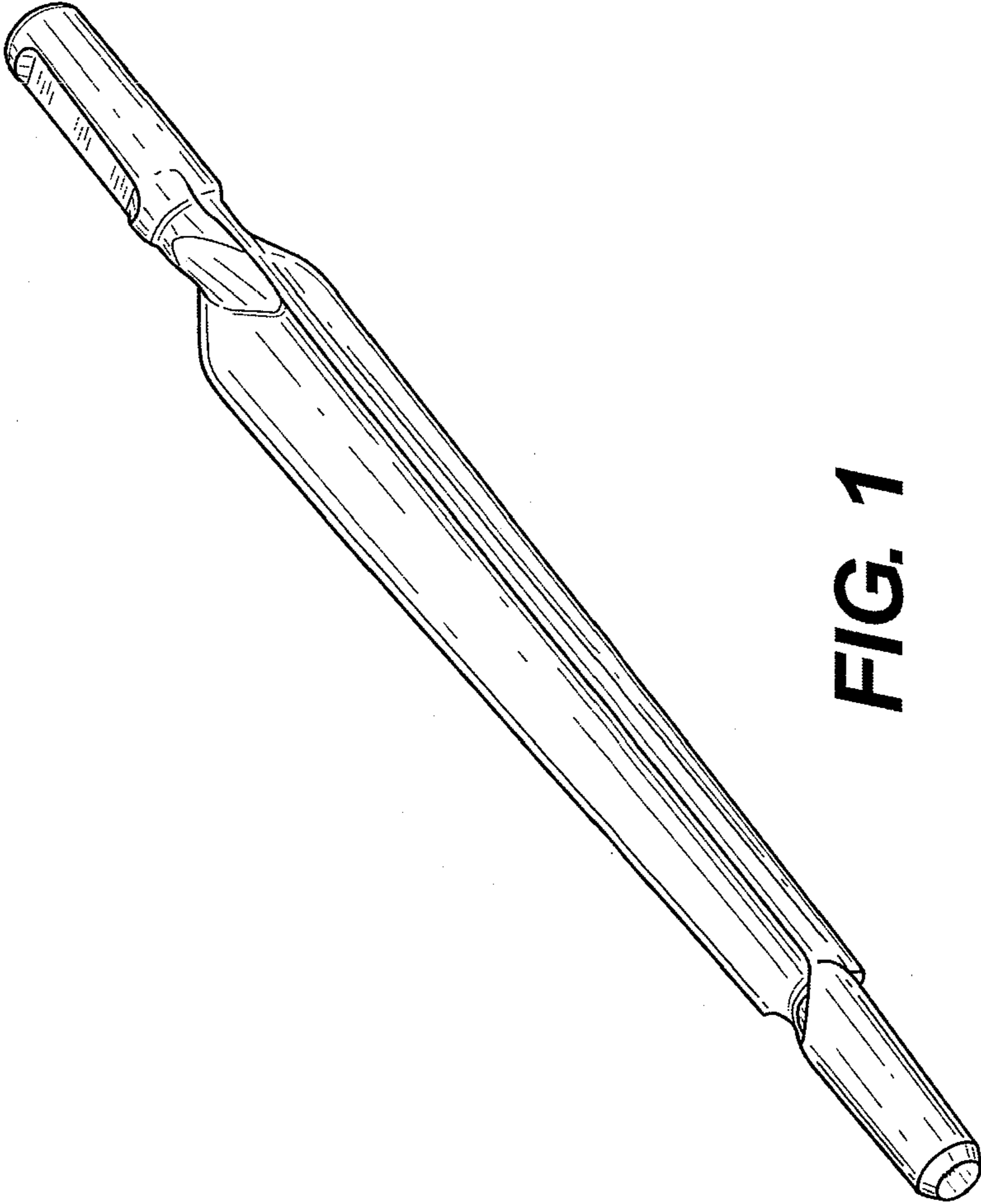


FIG. 1

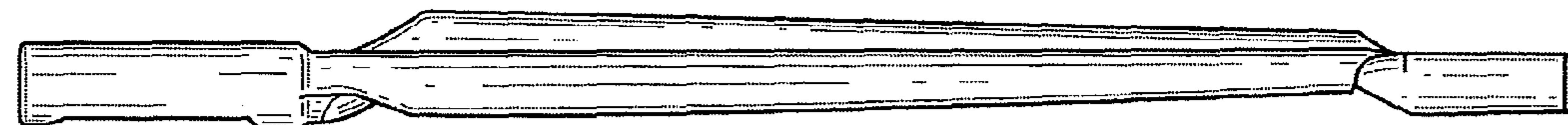


FIG. 3

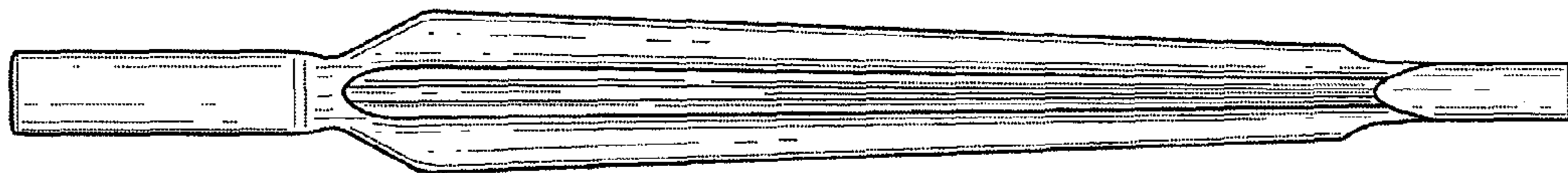


FIG. 4

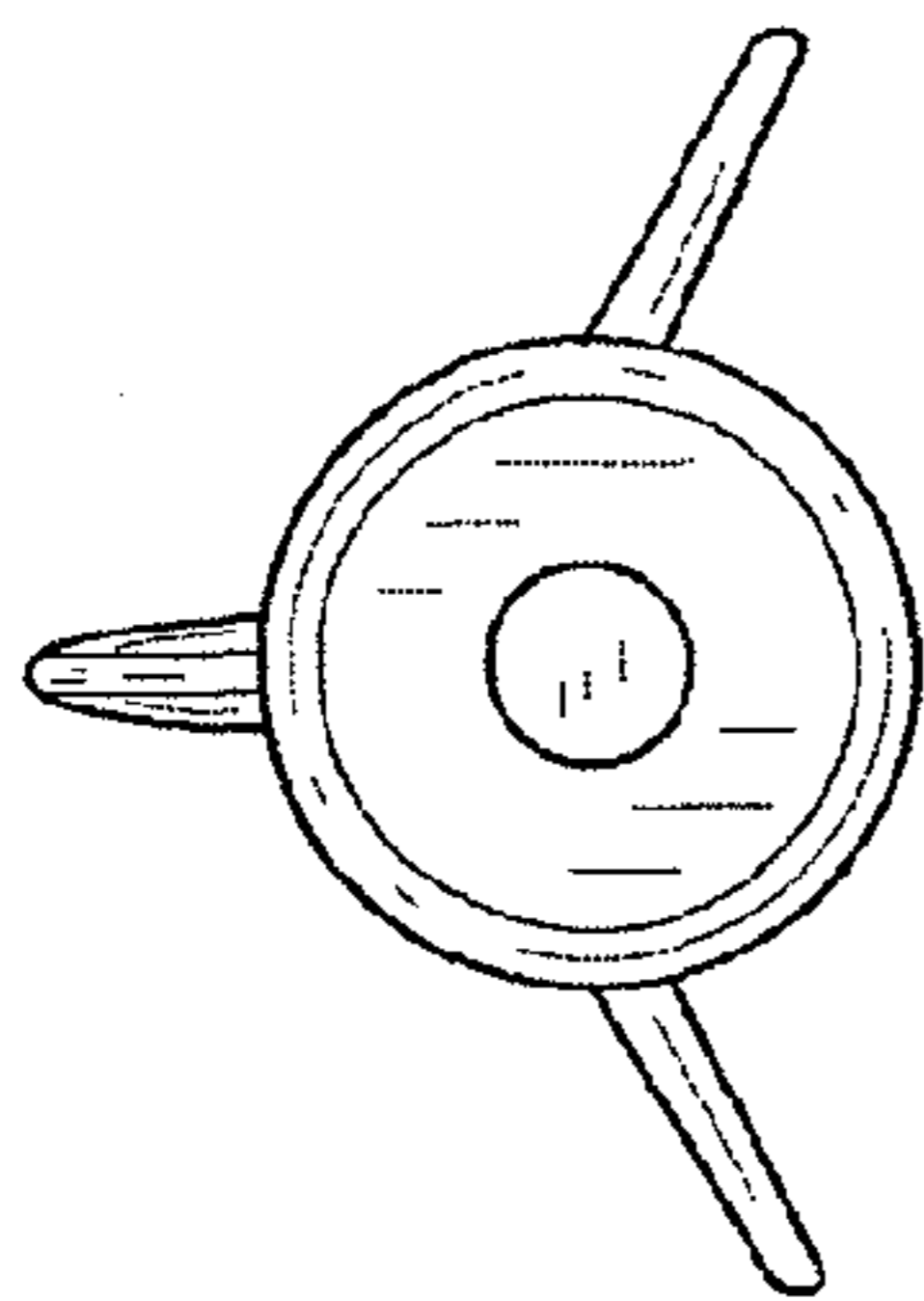


FIG. 5

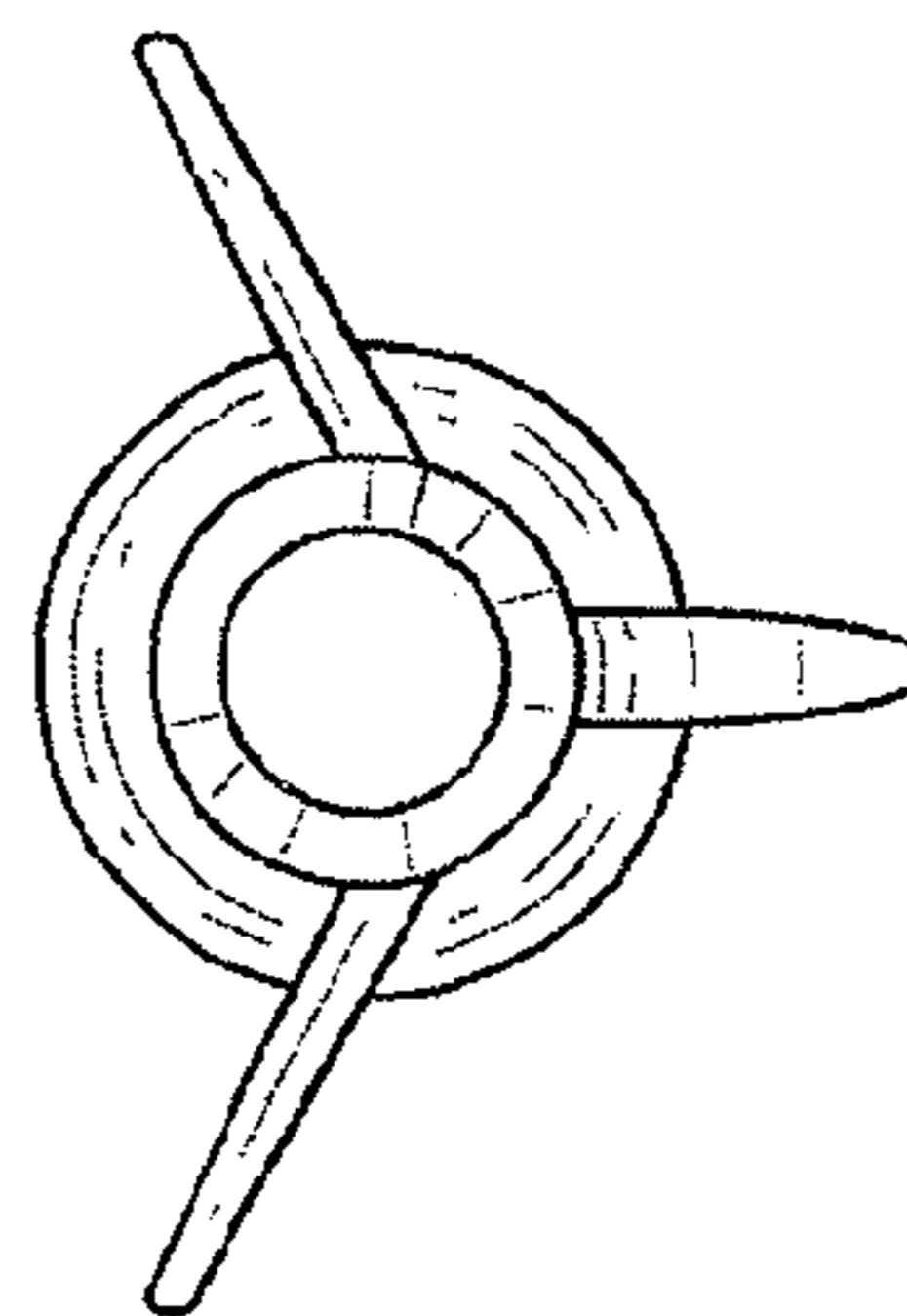


FIG. 6