



US00D638861S

(12) **United States Design Patent**
Bartl

(10) **Patent No.:** **US D638,861 S**

(45) **Date of Patent:** **** May 31, 2011**

(54) **COMPACTION MACHINE**

(75) Inventor: **Andreas Bartl**, Wörth (DE)

(73) Assignee: **Wacker Neuson SE**, Munich (DE)

(**) Term: **14 Years**

(21) Appl. No.: **29/366,034**

(22) Filed: **Jul. 19, 2010**

(30) **Foreign Application Priority Data**

Jan. 18, 2010 (EM) 001190185

(51) **LOC (9) Cl.** **15-03**

(52) **U.S. Cl.** **D15/20**

(58) **Field of Classification Search** D15/20,
D15/10, 147, 33; 404/113, 133.1, 133.05,
404/114, 117; 74/61; 173/113, 118; 172/699;
56/11.3

See application file for complete search history.

(56) **References Cited**

U.S. PATENT DOCUMENTS

D183,297	S *	8/1958	Brown	D15/20
D197,360	S *	1/1964	Frohnauer, Jr.	D15/20
D227,166	S *	6/1973	Briggs et al.	D15/20
D227,598	S *	7/1973	Maass	D15/20
D235,374	S *	6/1975	Aiello	D15/20
D240,336	S *	6/1976	Maass	D15/20
D393,864	S *	4/1998	Waldenberger et al.	D15/20
6,551,022	B1 *	4/2003	Stayner	404/133.1
6,588,977	B1 *	7/2003	Stayner	404/133.1
D517,094	S *	3/2006	Stein et al.	D15/20

D518,070	S *	3/2006	Schennach	D15/20
7,303,356	B2 *	12/2007	Schennach et al.	404/133.1
D604,335	S *	11/2009	Hu	D15/20
D615,104	S *	5/2010	Loew et al.	D15/20
D615,997	S *	5/2010	Loew et al.	D15/20
2006/0083590	A1 *	4/2006	Schennach et al.	404/133.1
2008/0003058	A1 *	1/2008	Persson et al.	404/133.1
2008/0247824	A1 *	10/2008	Steffen	404/133.05
2009/0035065	A1 *	2/2009	Gavins	404/114

* cited by examiner

Primary Examiner — Mark A Goodwin

(74) *Attorney, Agent, or Firm* — Boyle Fredrickson S.C.

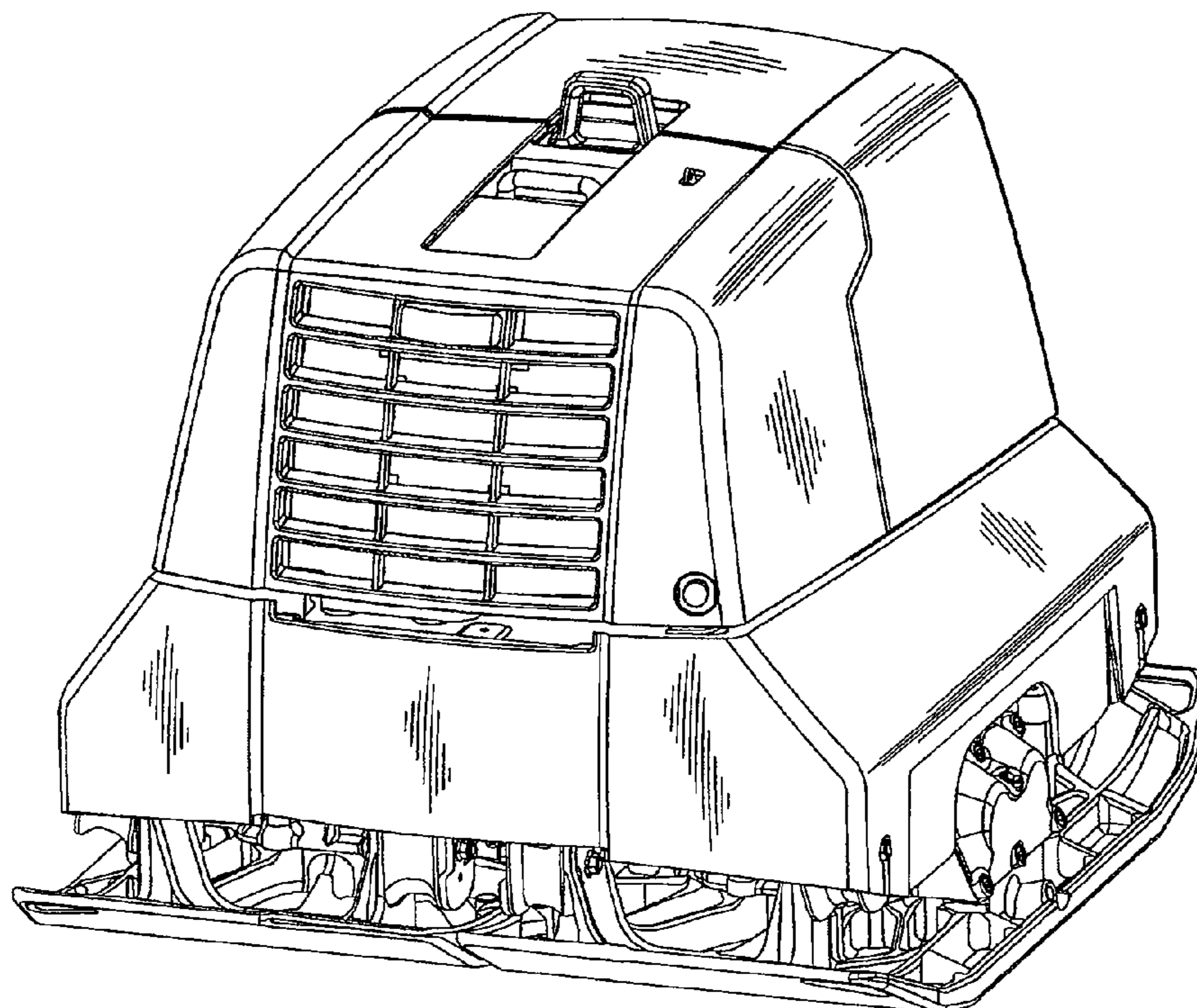
(57) **CLAIM**

The ornamental design for a compaction machine, as shown and described.

DESCRIPTION

FIG. 1 is a top front left side isometric view of a compaction machine showing my new design, with the jack ring on the top middle portion of the claim shown in a raised, deployed position with the front hood shown in a closed position; FIG. 2 is a left side elevation view thereof; FIG. 3 is a right side elevation view thereof; FIG. 4 is front elevation view thereof; FIG. 5 is a rear elevation view thereof; FIG. 6 is a top plan view thereof; FIG. 7 is a bottom plan view thereof; FIG. 8 is an isometric view thereof corresponding to FIG. 1 but showing the deployable jack ring in a lowered, retracted position; and, FIG. 9 is a top plan view thereof corresponding to FIG. 6 but showing the jack ring in a lowered retracted position.

1 Claim, 9 Drawing Sheets



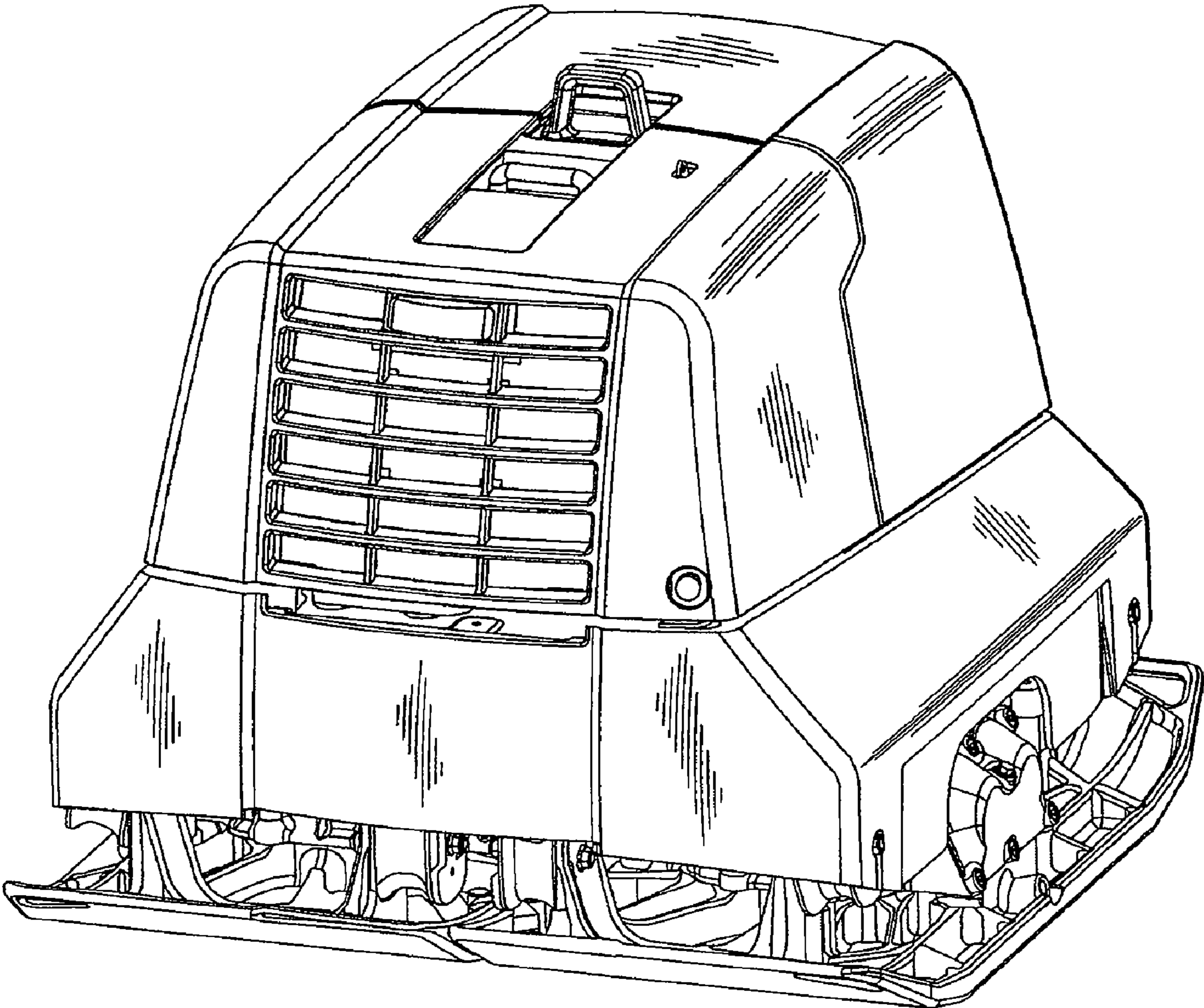


FIG. 1

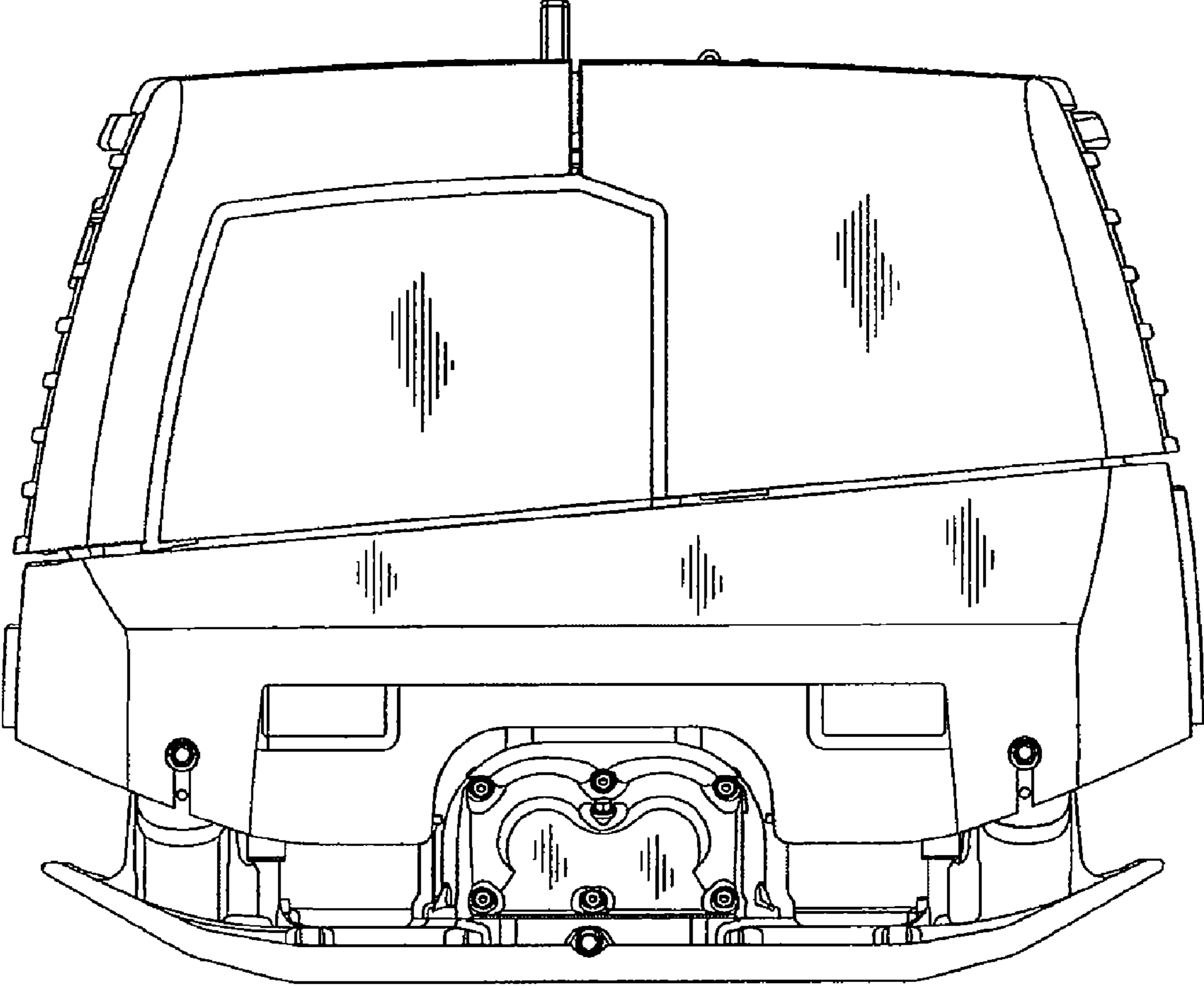


FIG. 2

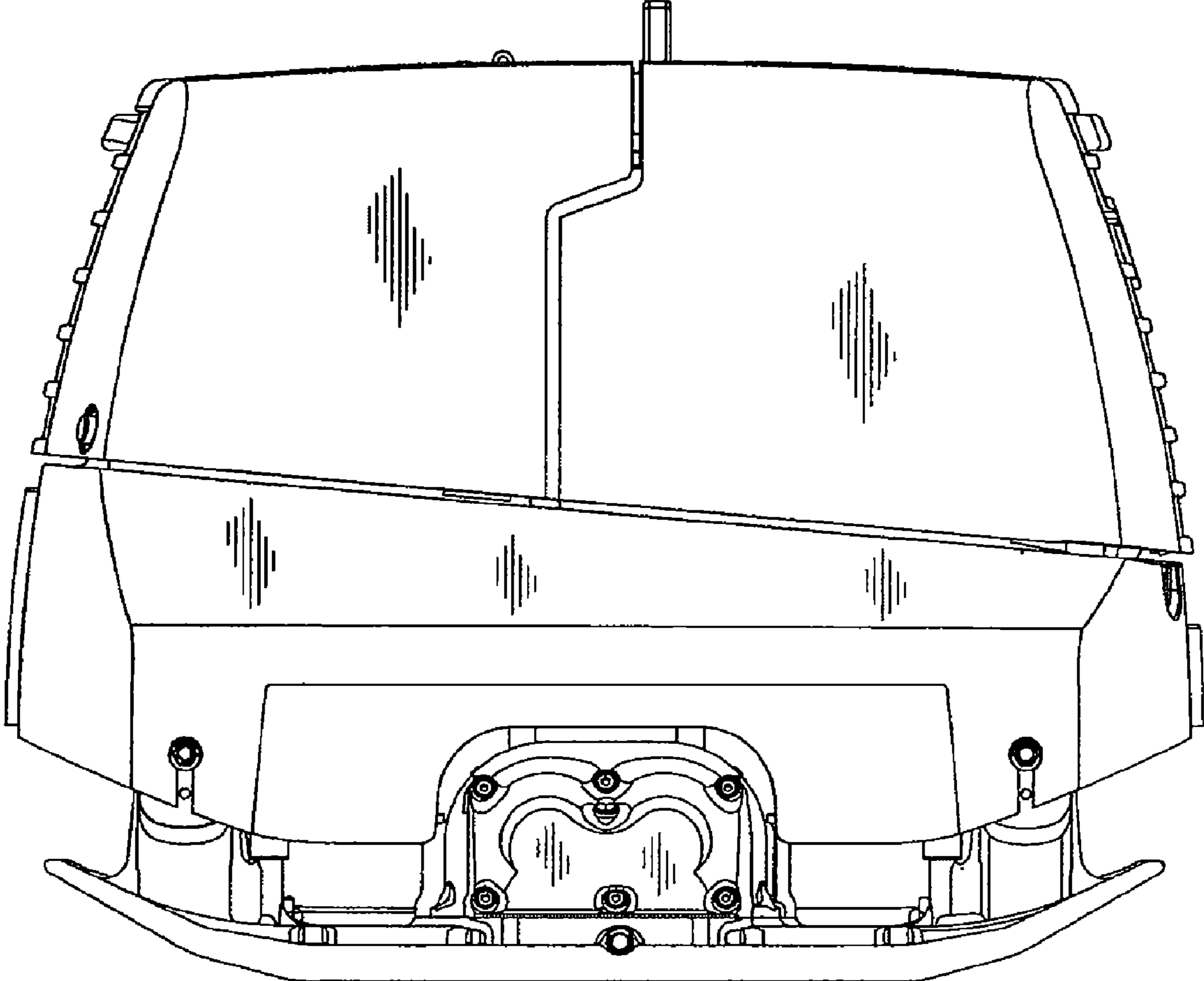


FIG. 3

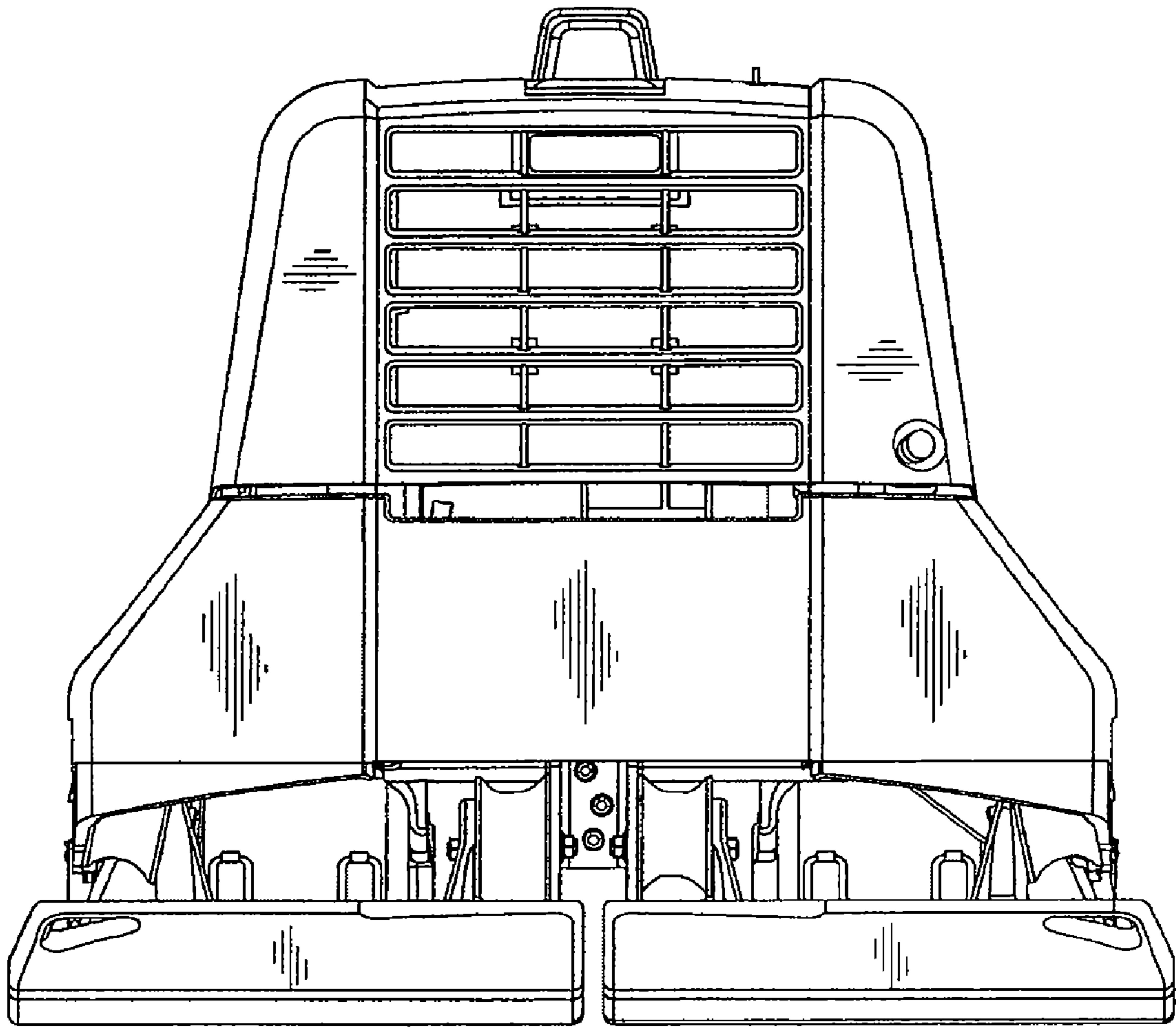


FIG. 4

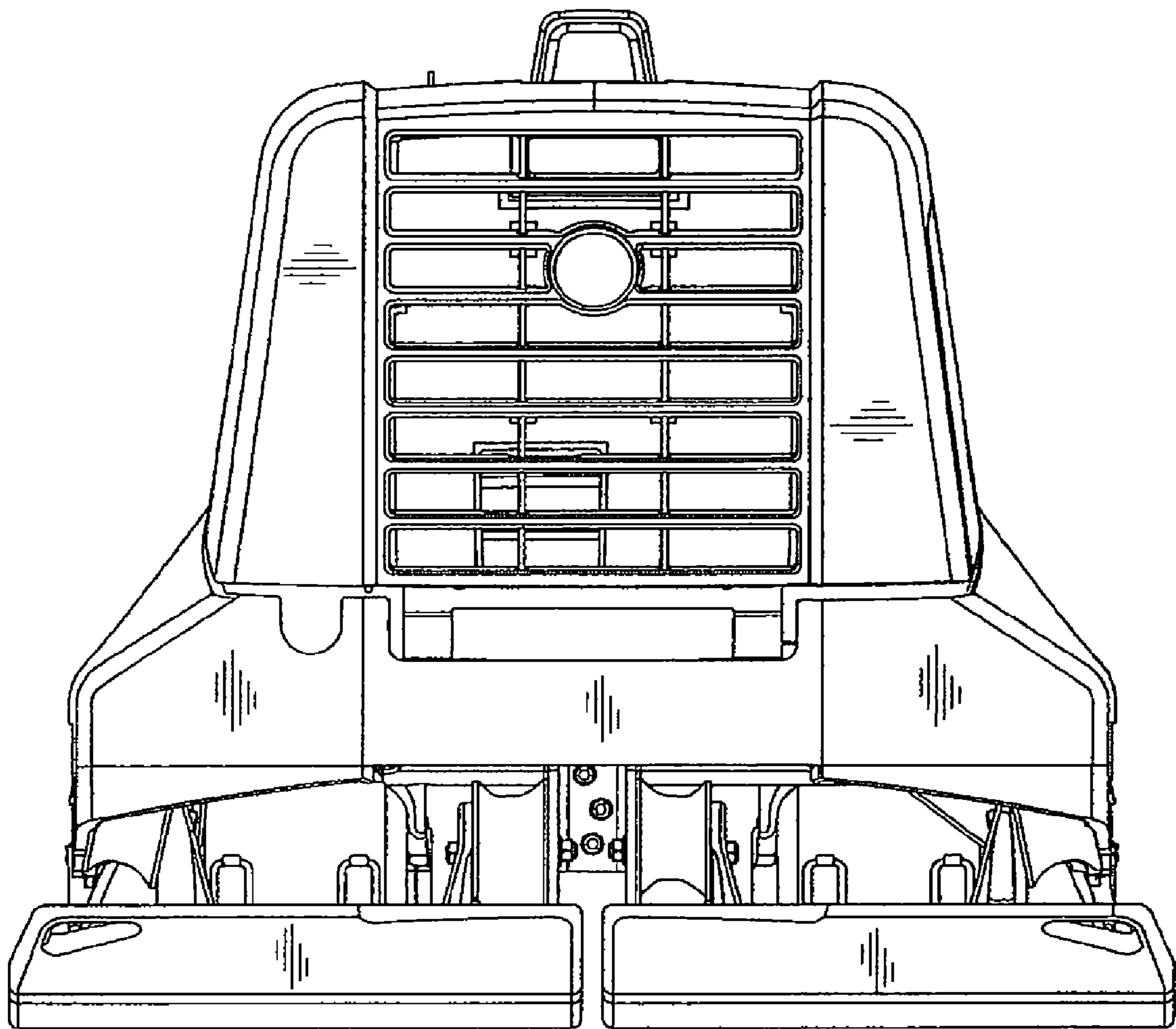


FIG. 5

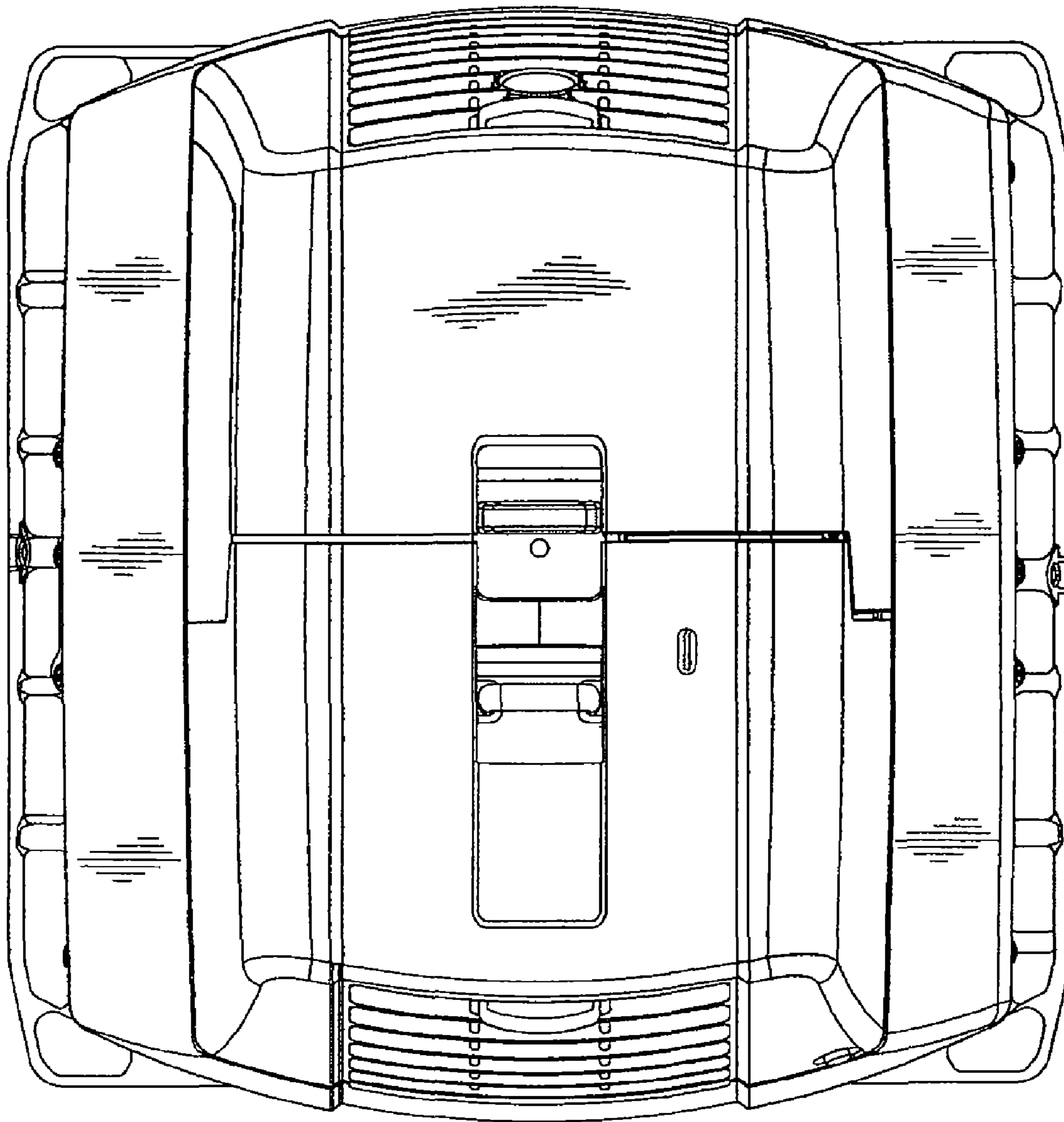


FIG. 6

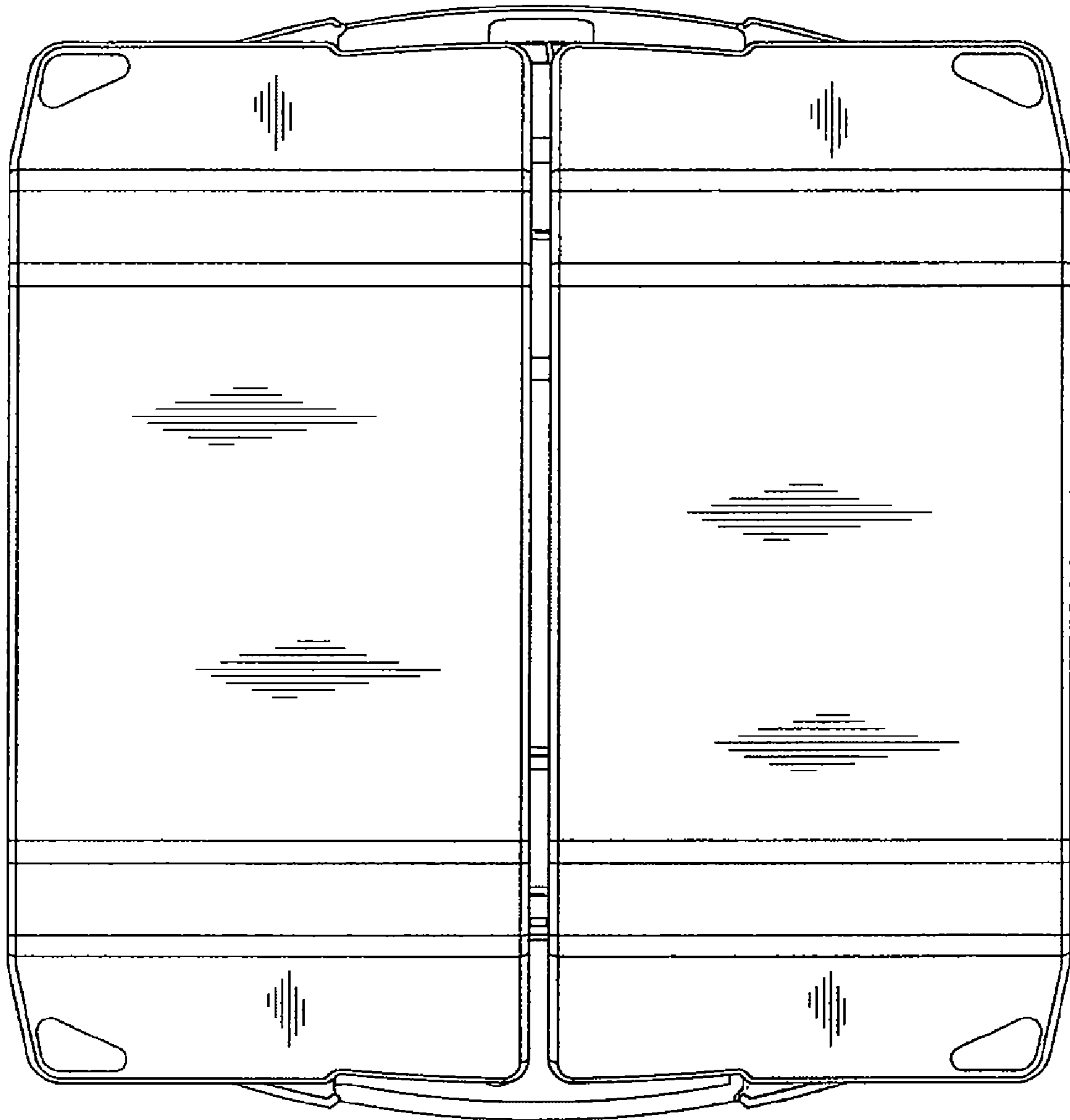


FIG. 7

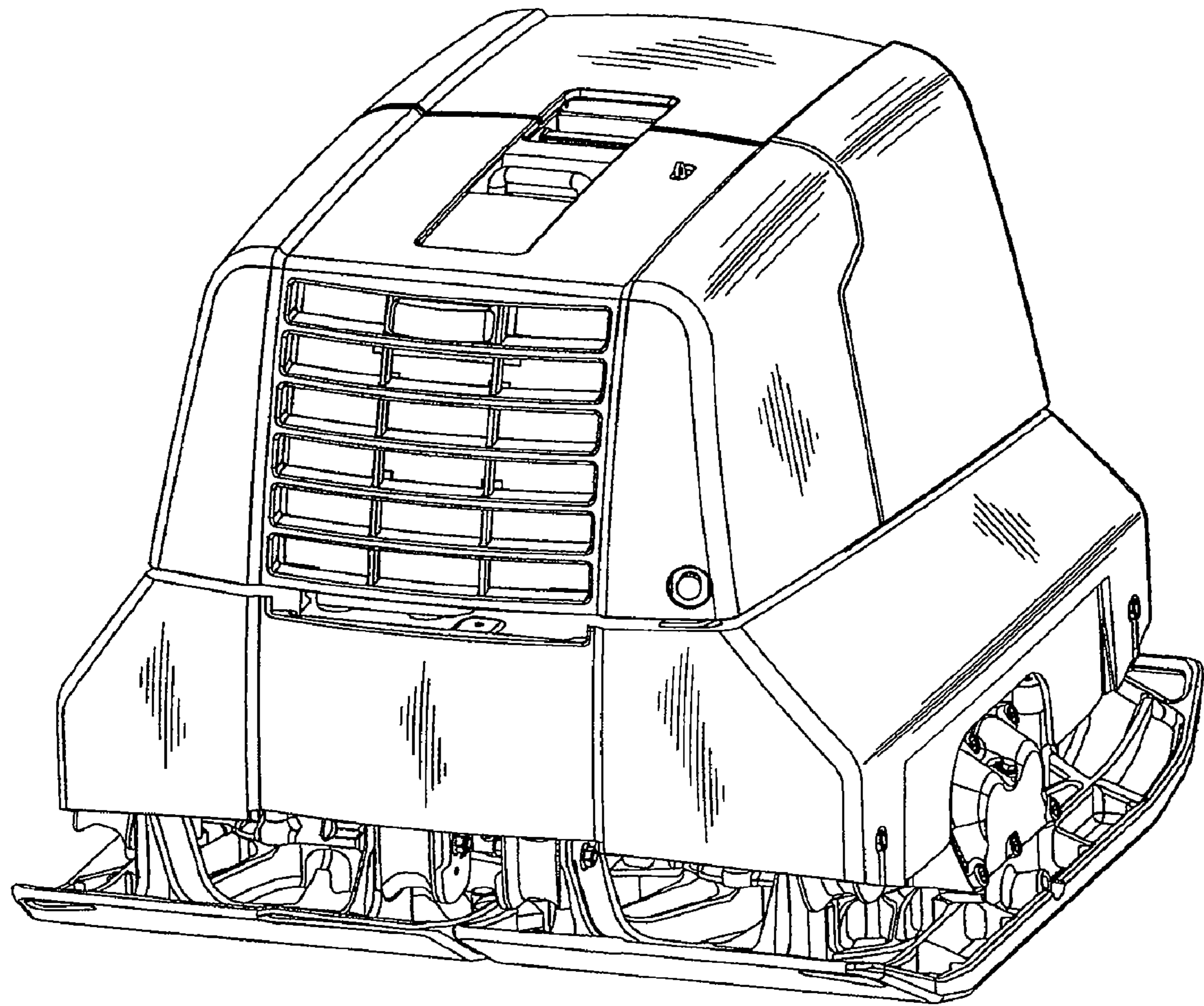


FIG. 8

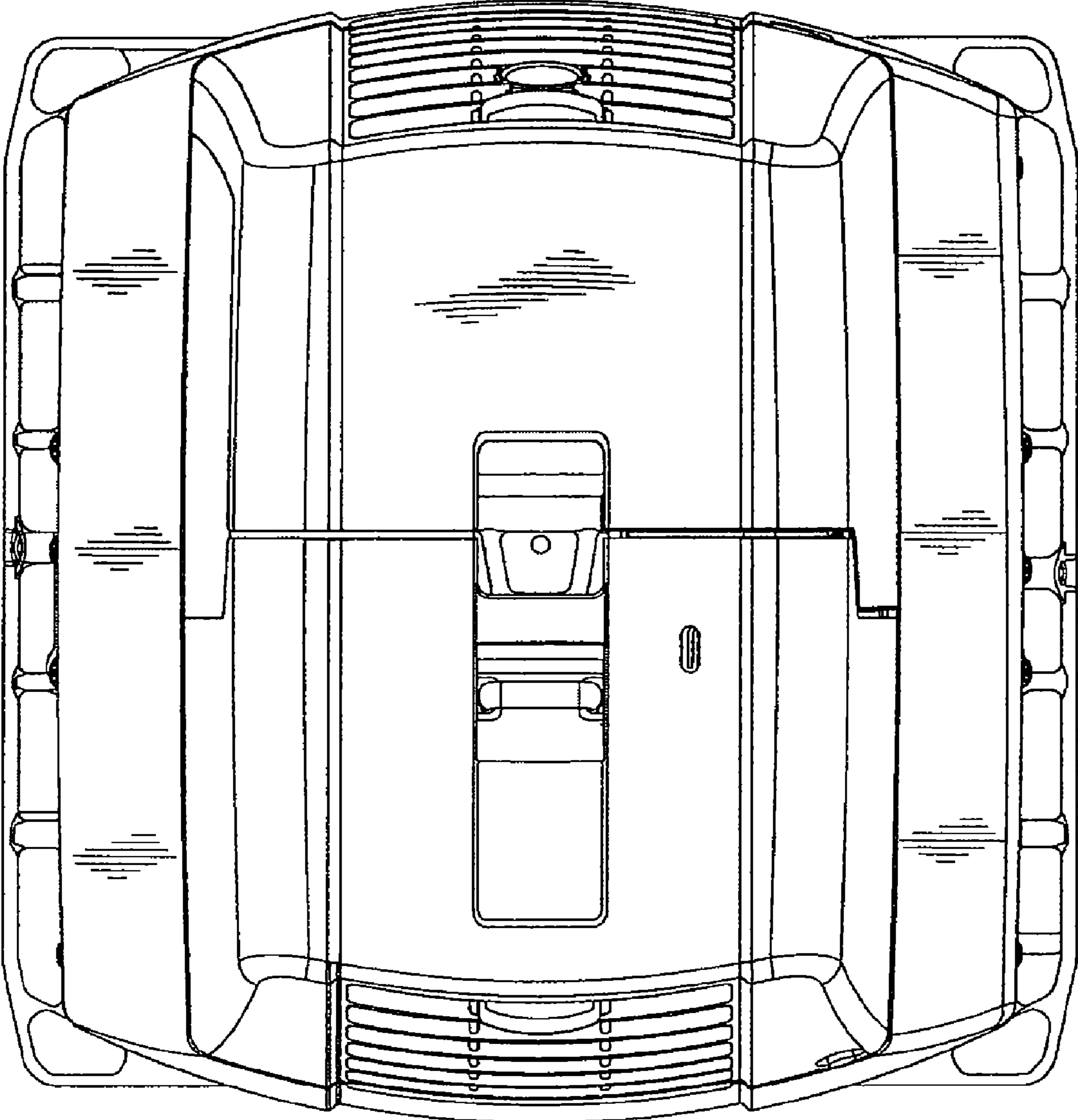


FIG. 9