



US00D638859S

(12) **United States Design Patent**  
**Adamson**

(10) **Patent No.:** **US D638,859 S**

(45) **Date of Patent:** **\*\* May 31, 2011**

(54) **CONCRETE ENGRAVER**

(75) **Inventor:** **Darrel Adamson, Mansfield, MO (US)**

(73) **Assignee:** **Engrave-A-Crete, Inc., Mansfield, MO (US)**

(\*\*) **Term:** **14 Years**

(21) **Appl. No.:** **29/379,035**

(22) **Filed:** **Nov. 12, 2010**

(51) **LOC (9) Cl.** ..... **15-03**

(52) **U.S. Cl.** ..... **D15/19**

(58) **Field of Classification Search** ..... D15/10,  
D15/19; 30/170; 408/181; 144/1.1, 2.1,  
144/24.12, 3.1, 34.1, 4.1; 299/39.1, 39.3,  
299/36.1; 125/14, 13.01, 13.03, 38; 404/89,  
404/90, 93, 94; 451/350, 352, 358, 434,  
451/451, 453, 456; 83/928

See application file for complete search history.

(56) **References Cited**

**U.S. PATENT DOCUMENTS**

5,056,499	A *	10/1991	Chiuminatta et al.	.....	125/14
5,241,946	A *	9/1993	Yelton et al.	.....	125/14
5,381,780	A *	1/1995	Yelton et al.	.....	299/39.3
5,429,420	A *	7/1995	Johnson	.....	299/39.3
5,445,437	A *	8/1995	Adamson	.....	299/39.3
5,669,371	A *	9/1997	Rupprecht et al.	.....	125/13.01

5,908,224	A *	6/1999	Santos	.....	299/39.2
6,349,712	B1 *	2/2002	Halstead	.....	125/12
6,478,666	B1 *	11/2002	Berger et al.	.....	451/344
6,623,342	B1 *	9/2003	McDonald	.....	451/360
7,000,605	B2 *	2/2006	Due	.....	125/13.01
2003/0127904	A1 *	7/2003	Due	.....	299/18
2005/0155592	A1 *	7/2005	Due	.....	125/13.01
2005/0227597	A1 *	10/2005	Redmond	.....	451/350
2006/0086350	A1 *	4/2006	Due	.....	125/13.01
2009/0107476	A1 *	4/2009	Gobright, IV	.....	125/13.01

\* cited by examiner

*Primary Examiner* — Mark Goodwin

(74) *Attorney, Agent, or Firm* — Lathrop & Gage LLP

(57) **CLAIM**

The ornamental design for a concrete engraver, as shown and described.

**DESCRIPTION**

FIG. 1 is a right perspective view of a concrete engraver showing my new design;

FIG. 2 is a right-side elevational view thereof;

FIG. 3 is a left-side elevational view thereof;

FIG. 4 is a top plan view thereof;

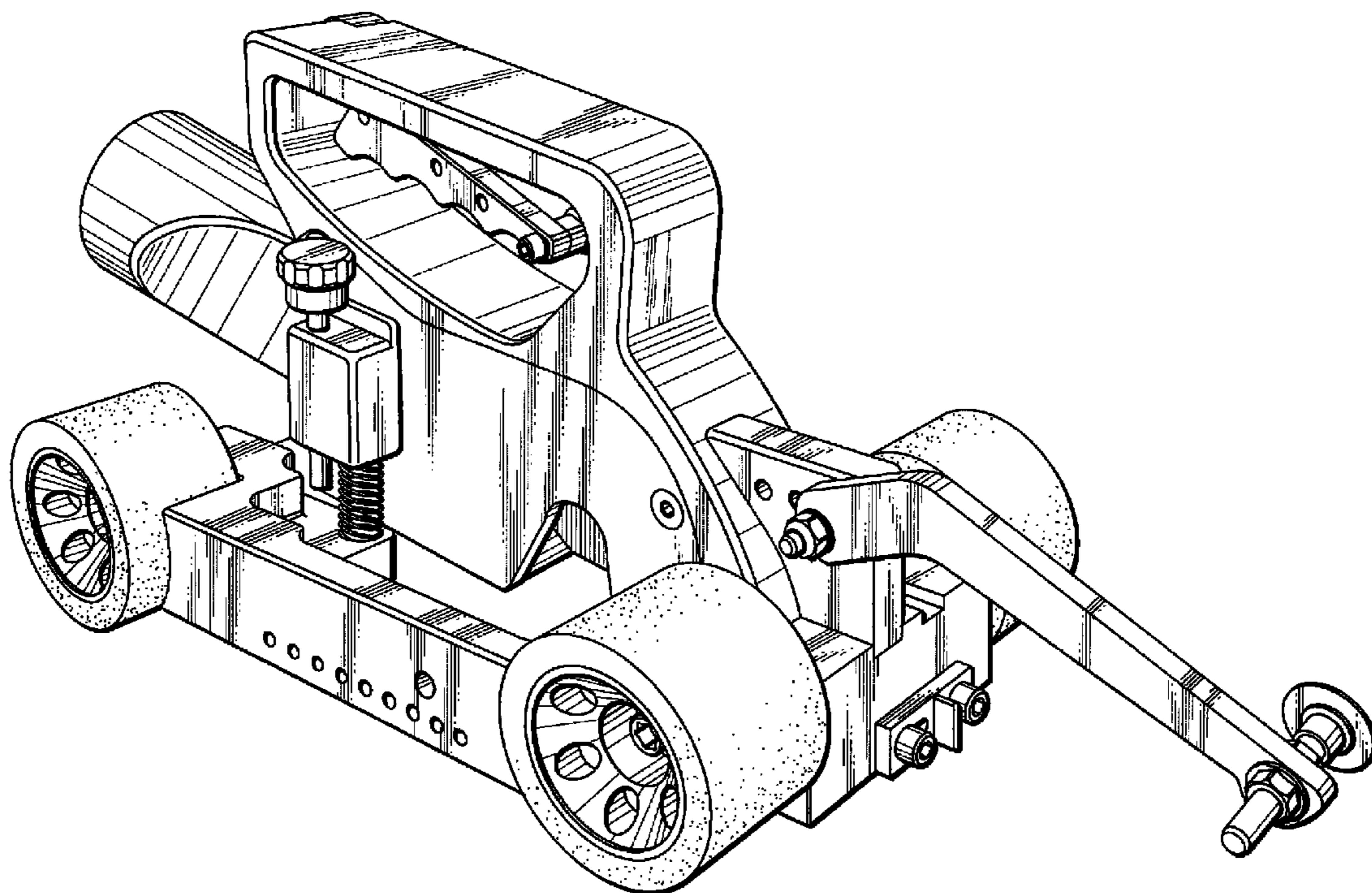
FIG. 5 is a bottom plan view thereof;

FIG. 6 is the rear view thereof; and,

FIG. 7 is the front view thereof.

The broken lines in FIG. 3 are for illustrative purposes only; they show angle grinder and are not claimed as part of the design.

**1 Claim, 6 Drawing Sheets**



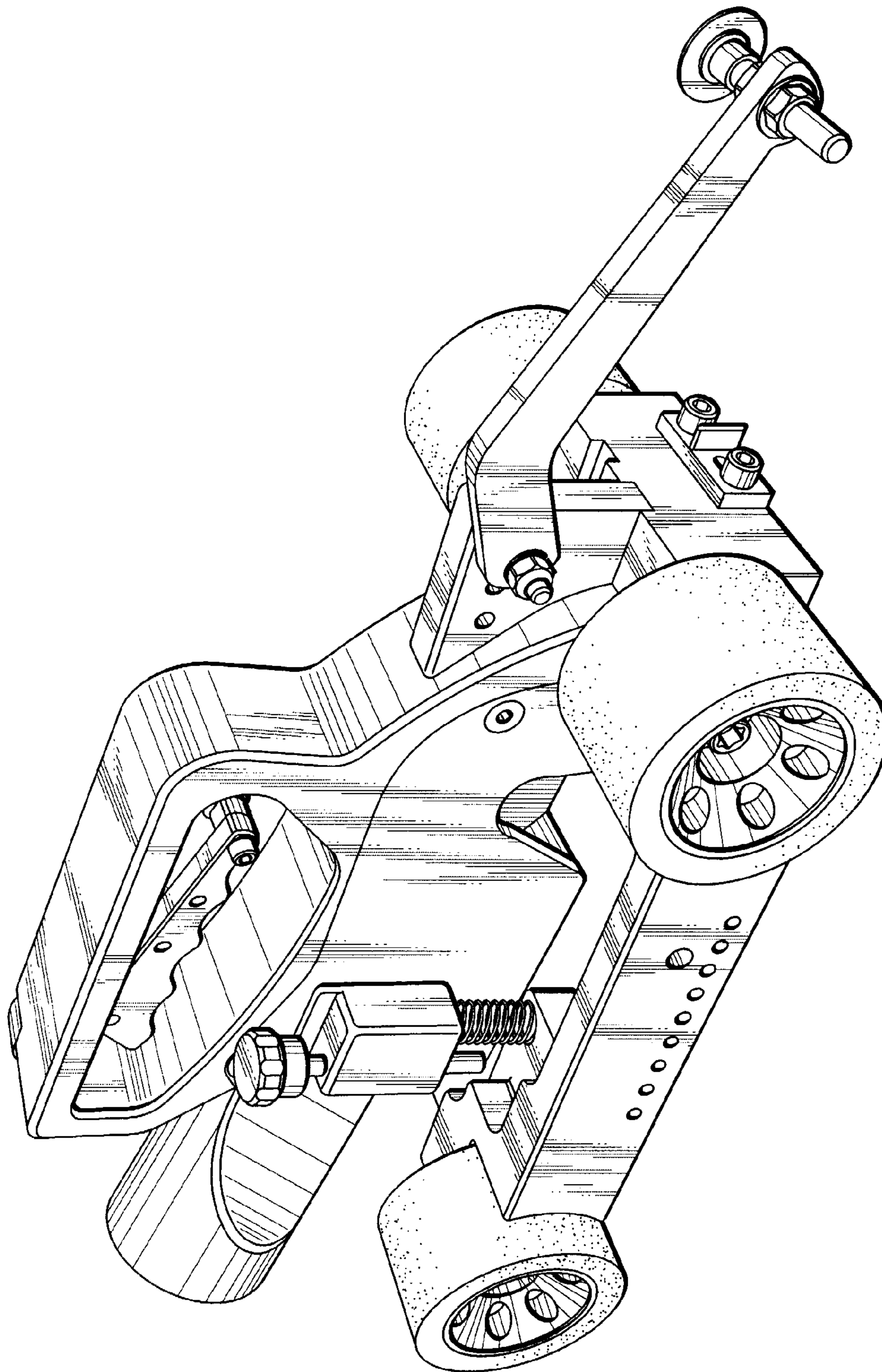


FIG. 1

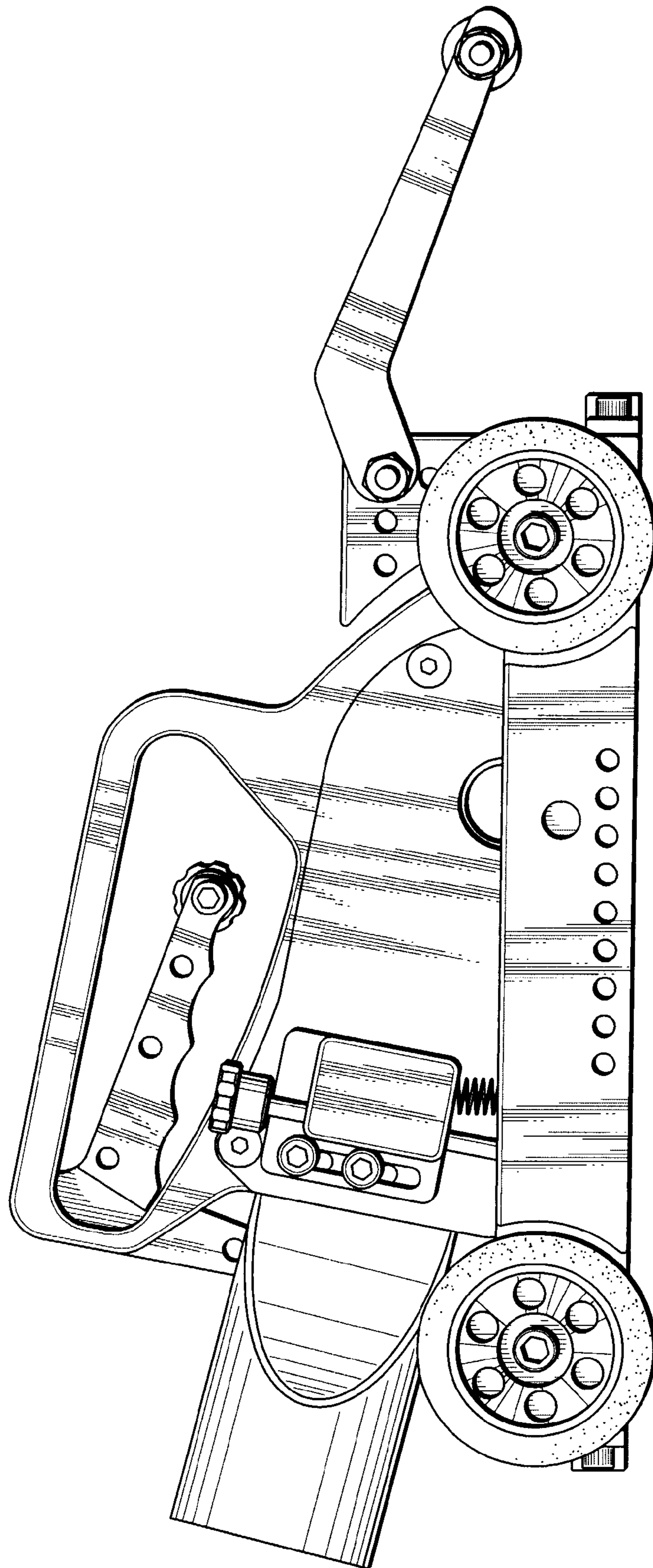


FIG. 2

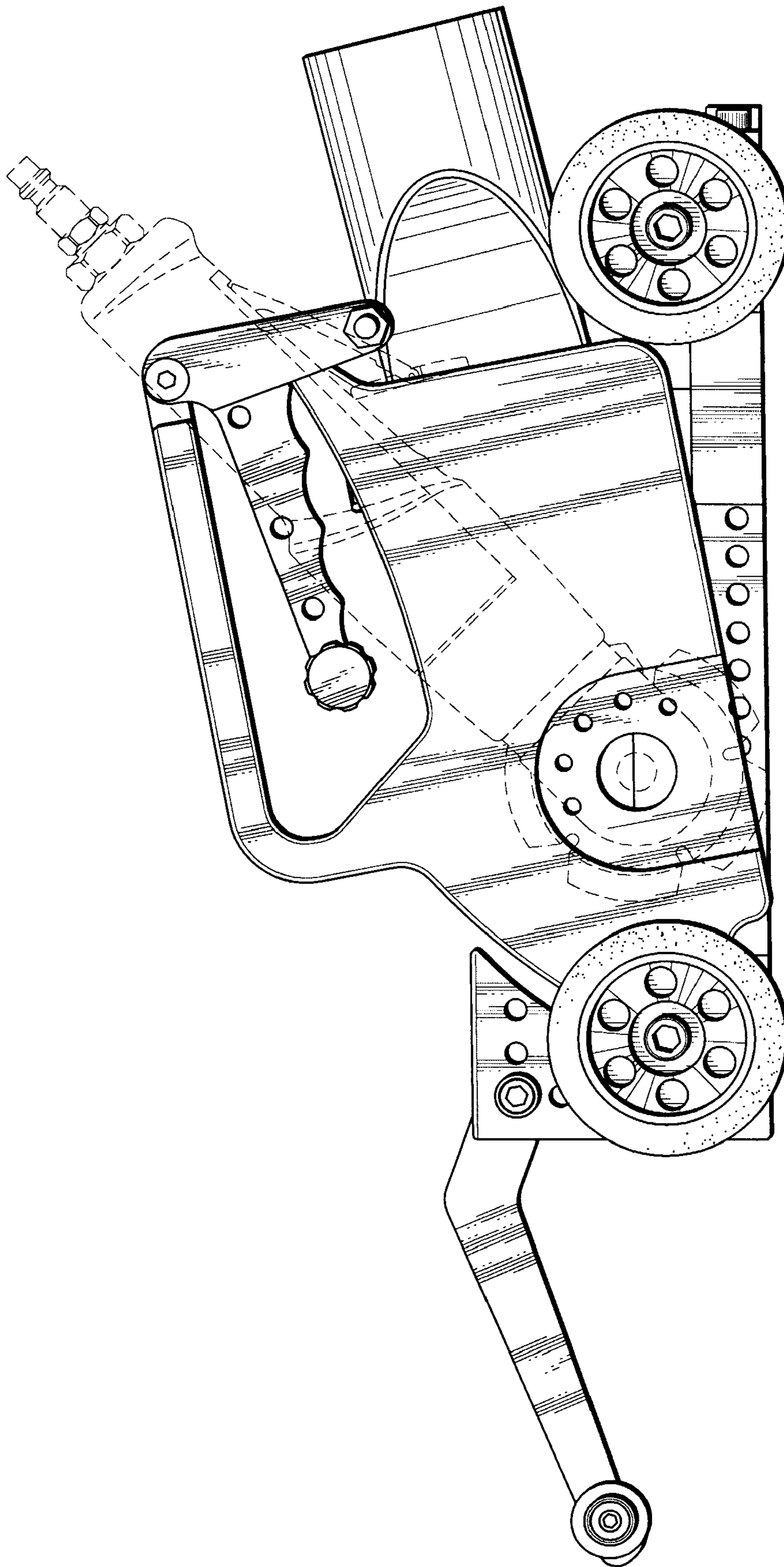


FIG. 3

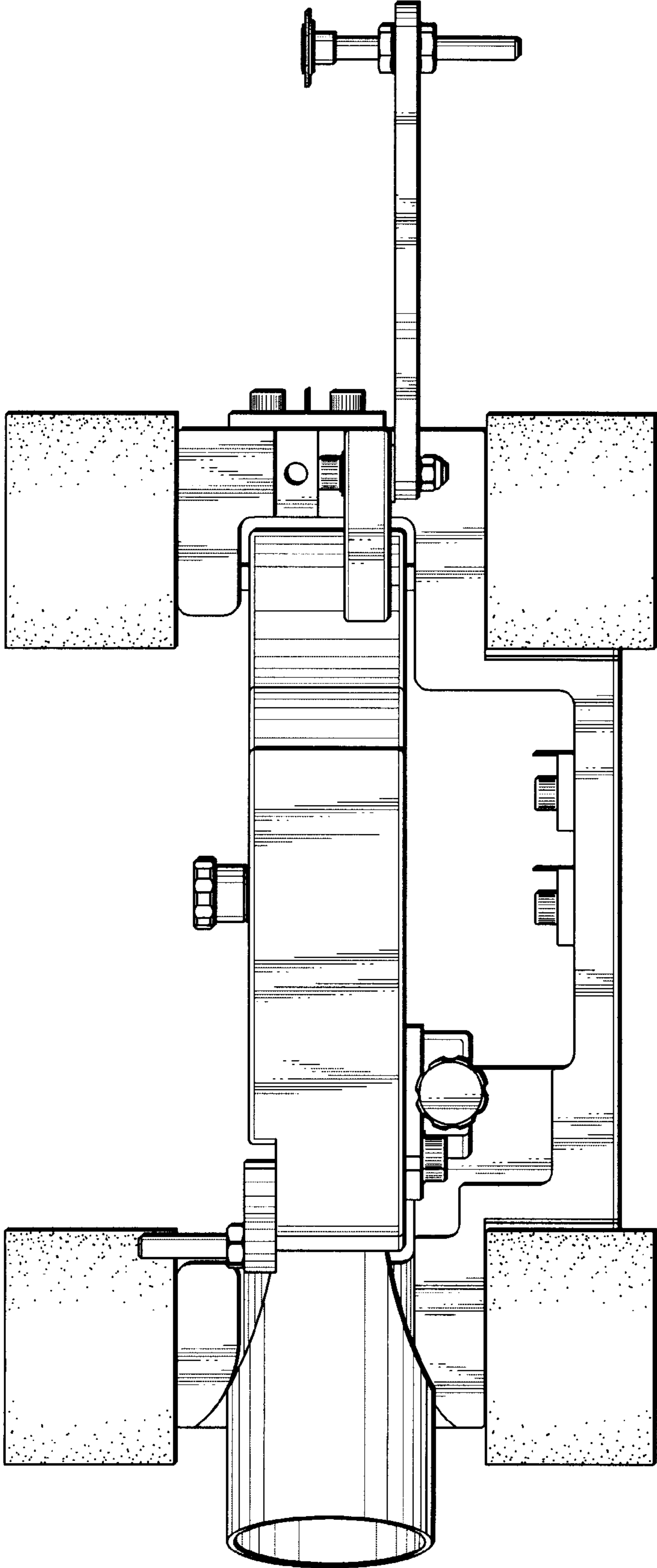


FIG. A

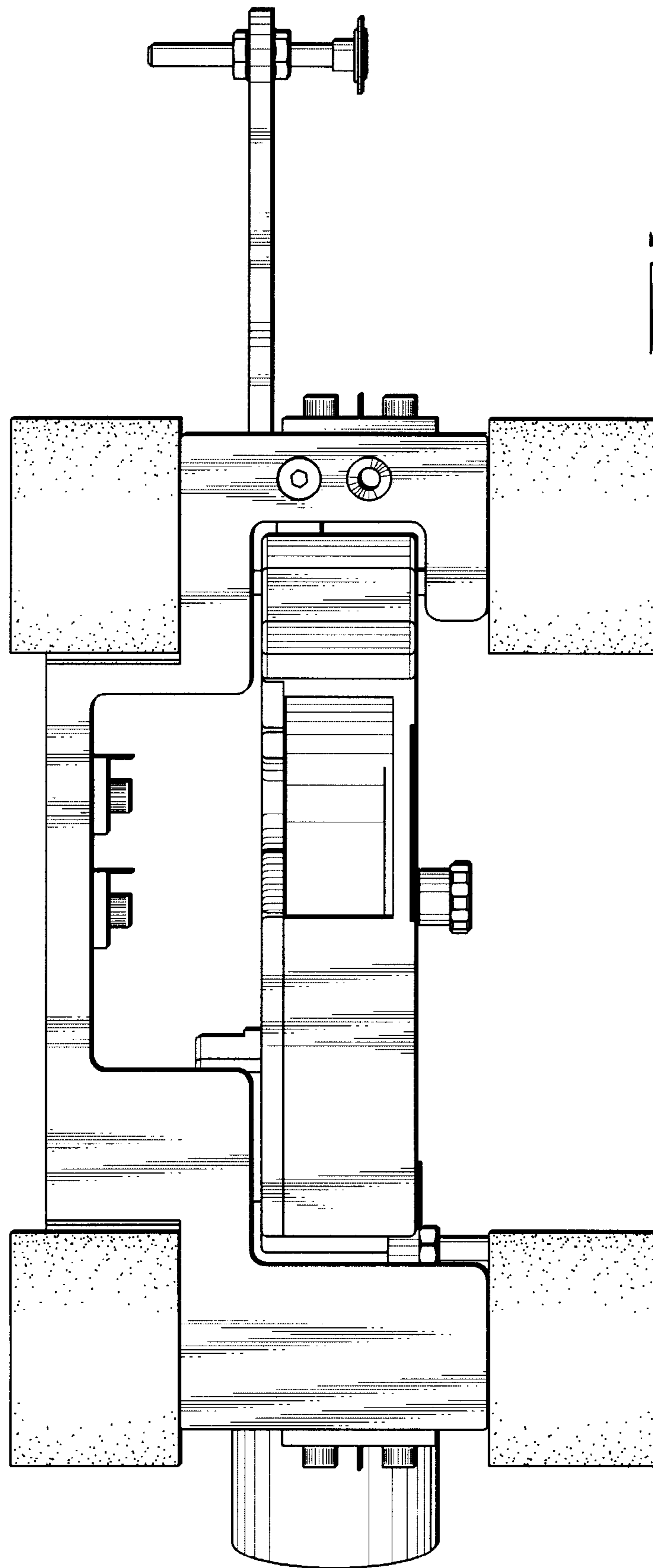


FIG. 5

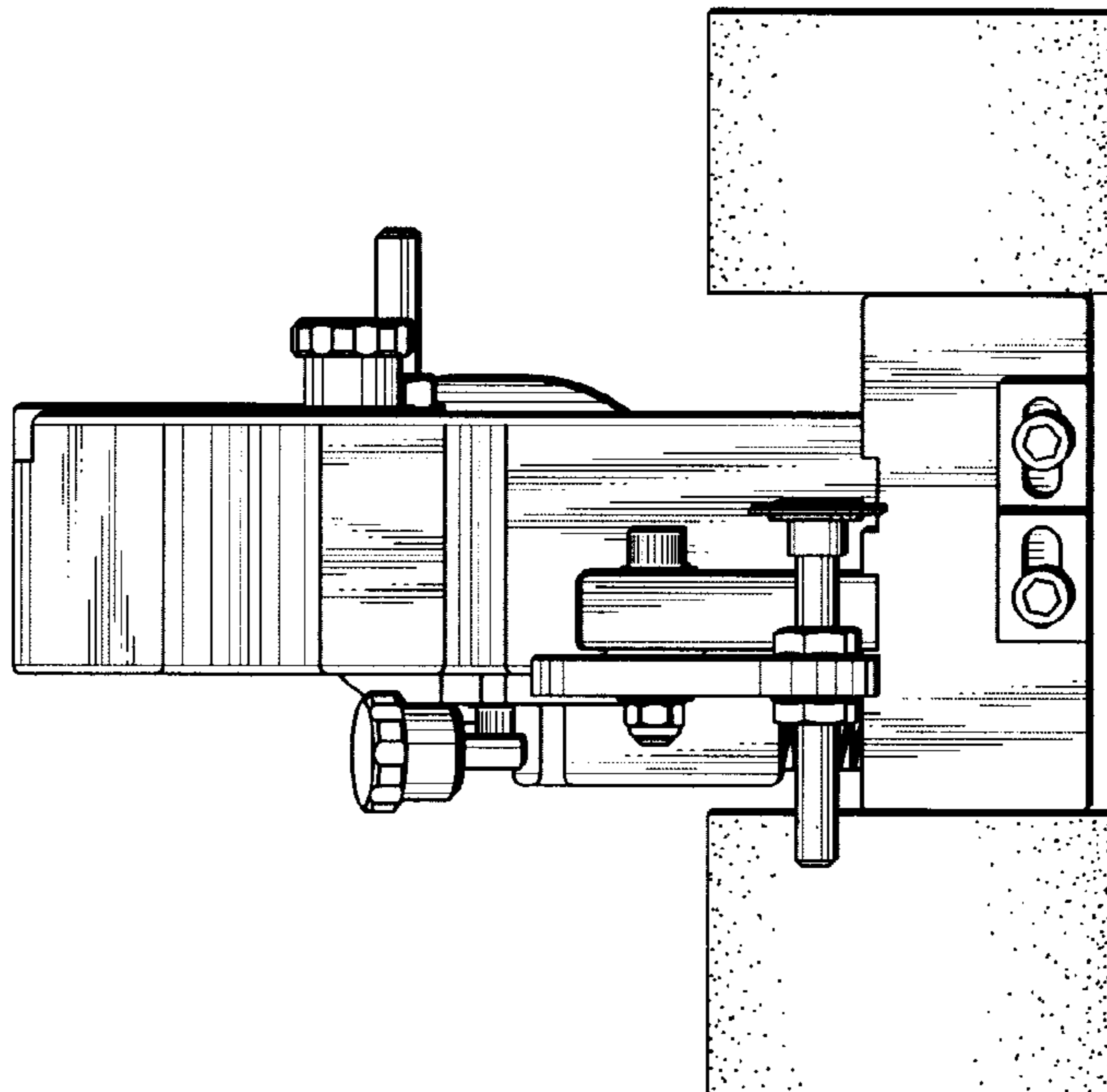


FIG. 7

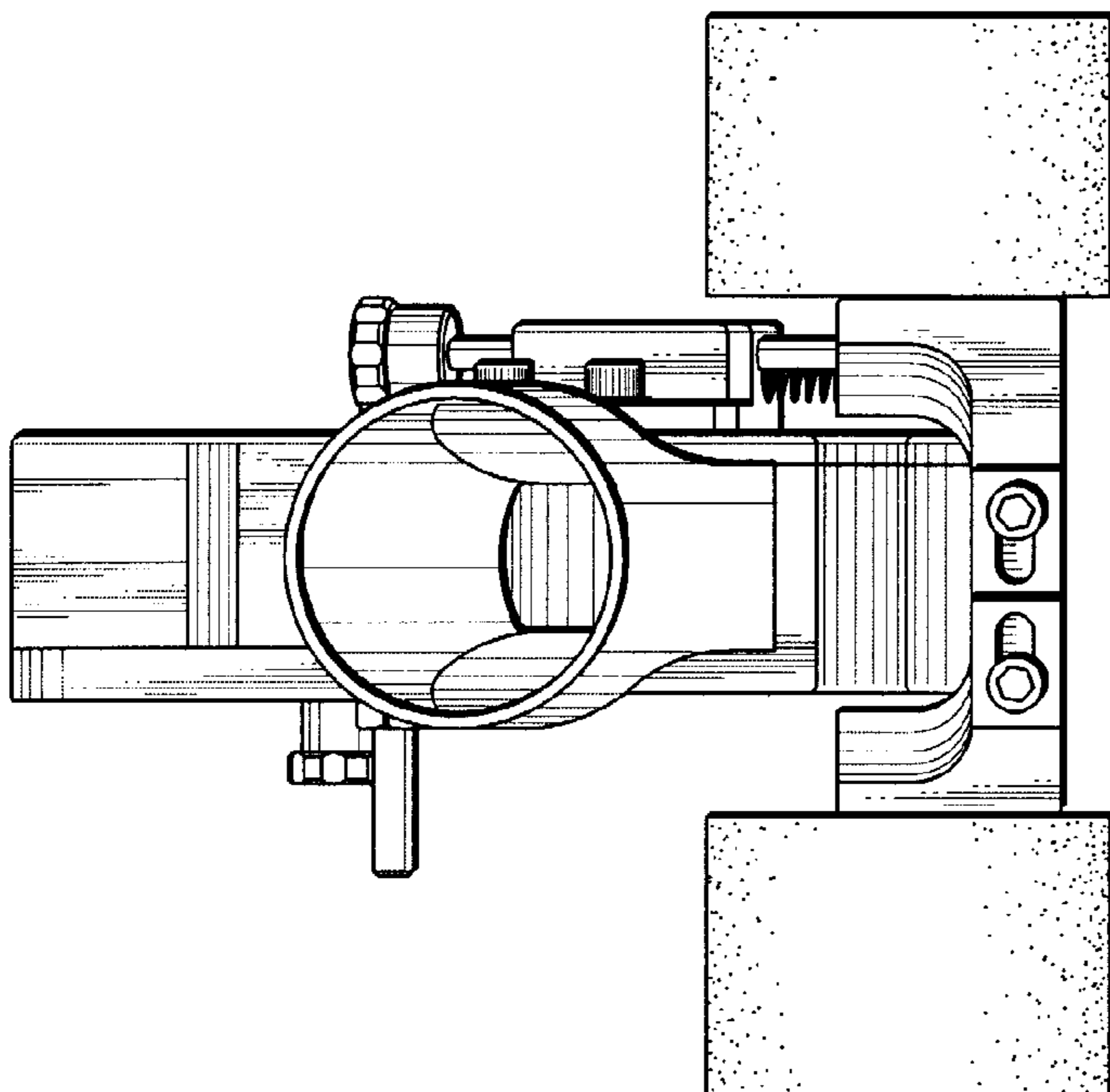


FIG. 6