



US00D638858S

(12) **United States Design Patent**  
**Johnson et al.**

(10) **Patent No.:** **US D638,858 S**

(45) **Date of Patent:** **\*\* May 31, 2011**

(54) **COMBINED PUMP AND CONTROLLER  
DEVICE**

(75) Inventors: **Steven M. Johnson**, Westford, MA  
(US); **Gregory Cook**, Holliston, MA  
(US)

(73) Assignee: **ITT Manufacturing Enterprises, Inc.**,  
Wilmington, DE (US)

(\*\*) Term: **14 Years**

(21) Appl. No.: **29/375,111**

(22) Filed: **Sep. 17, 2010**

(51) **LOC (9) Cl.** ..... **15-02**

(52) **U.S. Cl.** ..... **D15/7**

(58) **Field of Classification Search** ..... D15/7-9;  
D23/231, 232; 417/410.1, 359, 415-416,  
417/234, 321, 265, 405

See application file for complete search history.

(56) **References Cited**

**U.S. PATENT DOCUMENTS**

D395,051 S *	6/1998	Bonzer	.....	D15/9
D471,209 S *	3/2003	Wang	.....	D15/9
D480,093 S *	9/2003	Attolini	.....	D15/9
D492,326 S *	6/2004	Hsiao	.....	D15/9
D566,131 S *	4/2008	Detering et al.	.....	D15/9

D590,841 S *	4/2009	Muhlenberend	.....	D15/7
D605,665 S *	12/2009	Falkenberg	.....	D15/7
D622,290 S *	8/2010	Chen	.....	D15/9

\* cited by examiner

*Primary Examiner* — Ralf T Seifert

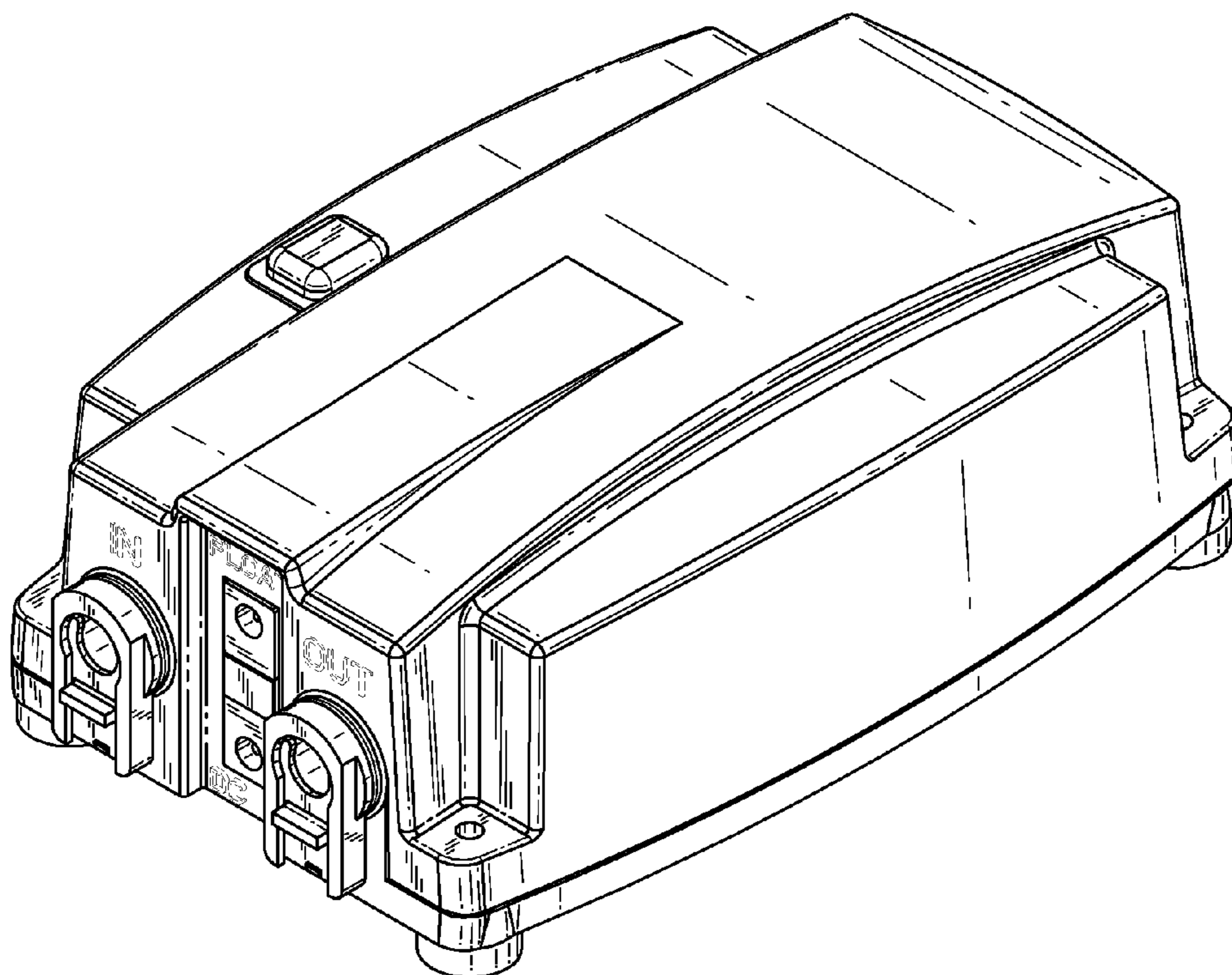
(57) **CLAIM**

We claim the ornamental design of a combined pump and controller device, as shown and described herein.

**DESCRIPTION**

FIG. 1 is a top perspective view of a combined pump and controller device showing our new invention;  
 FIG. 2 is a top perspective view of FIG. 1 rotated 180°;  
 FIG. 3 is a side view;  
 FIG. 4 is an opposite side view from that shown in FIG. 3;  
 FIG. 5 is a front view;  
 FIG. 6 is a back view;  
 FIG. 7 is a top view;  
 FIG. 8 is a bottom;  
 FIG. 9 is a top perspective view of a combined pump and controller device showing the second embodiment of our new design;  
 FIG. 10 is a top perspective of FIG. 9 rotated 180°;  
 FIG. 11 is a side view of FIG. 9;  
 FIG. 12 is an opposite side view of FIG. 11;  
 FIG. 13 is a front view of FIG. 9;  
 FIG. 14 is a back view of FIG. 9;  
 FIG. 15 is a top view of FIG. 9; and,  
 FIG. 16 is a bottom view of FIG. 9.

**1 Claim, 6 Drawing Sheets**



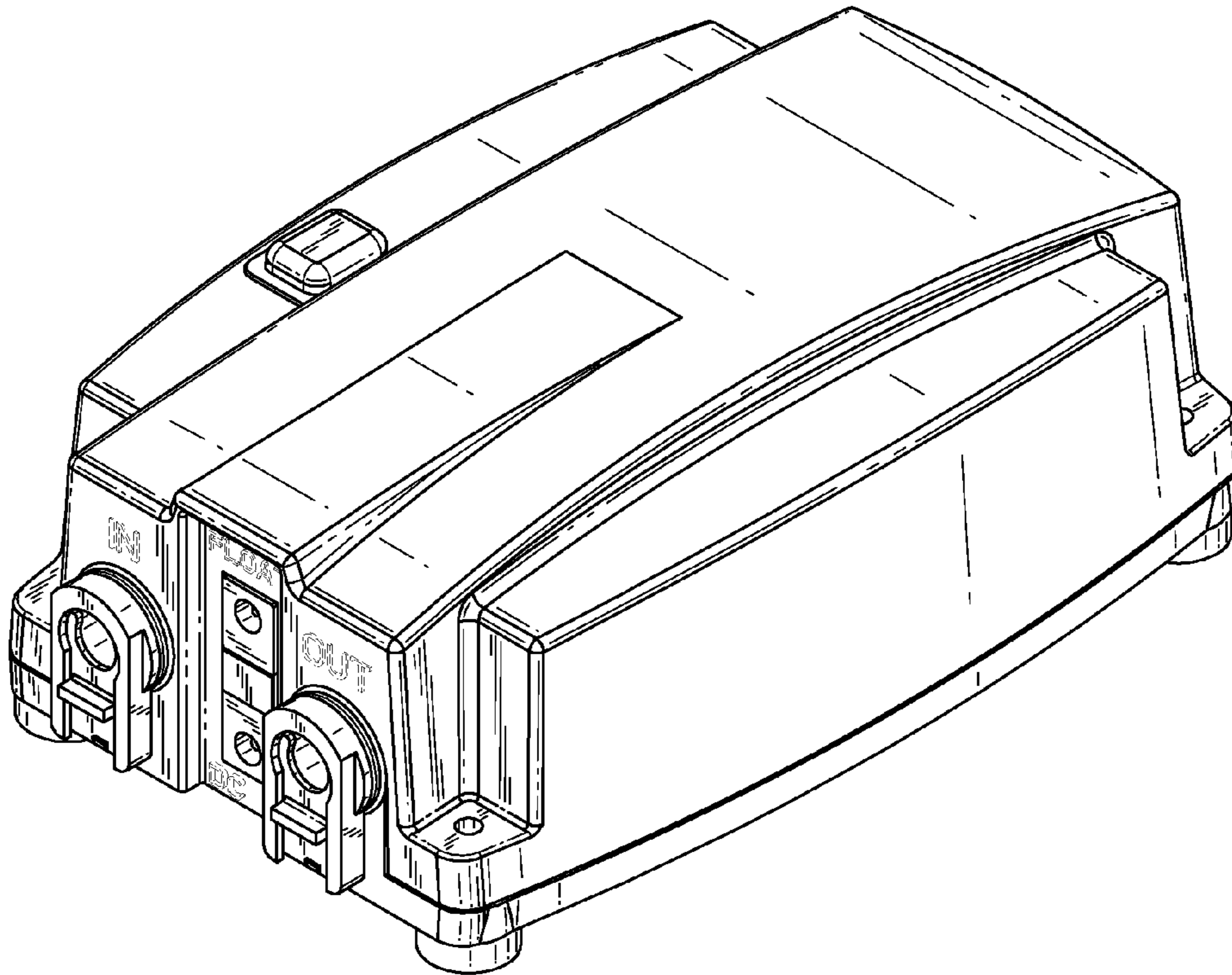


FIG. 1

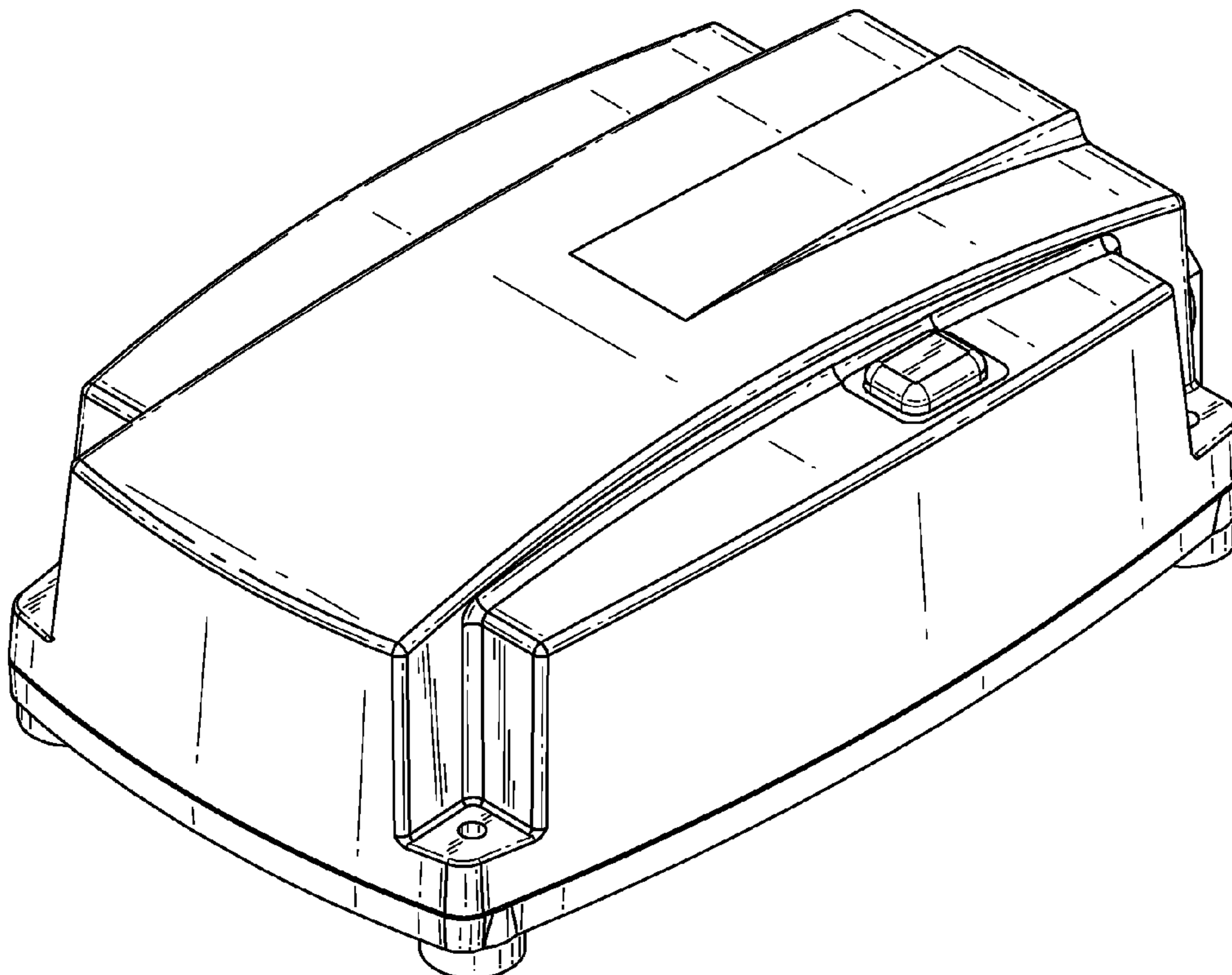


FIG. 2

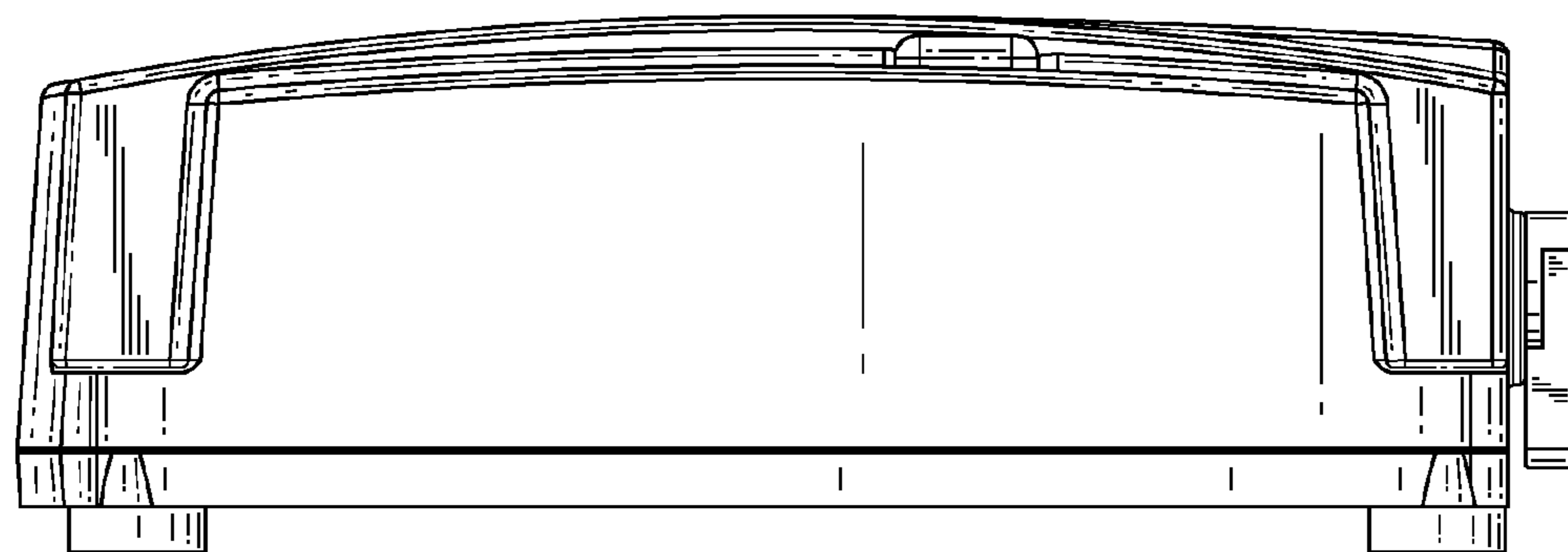


FIG. 3

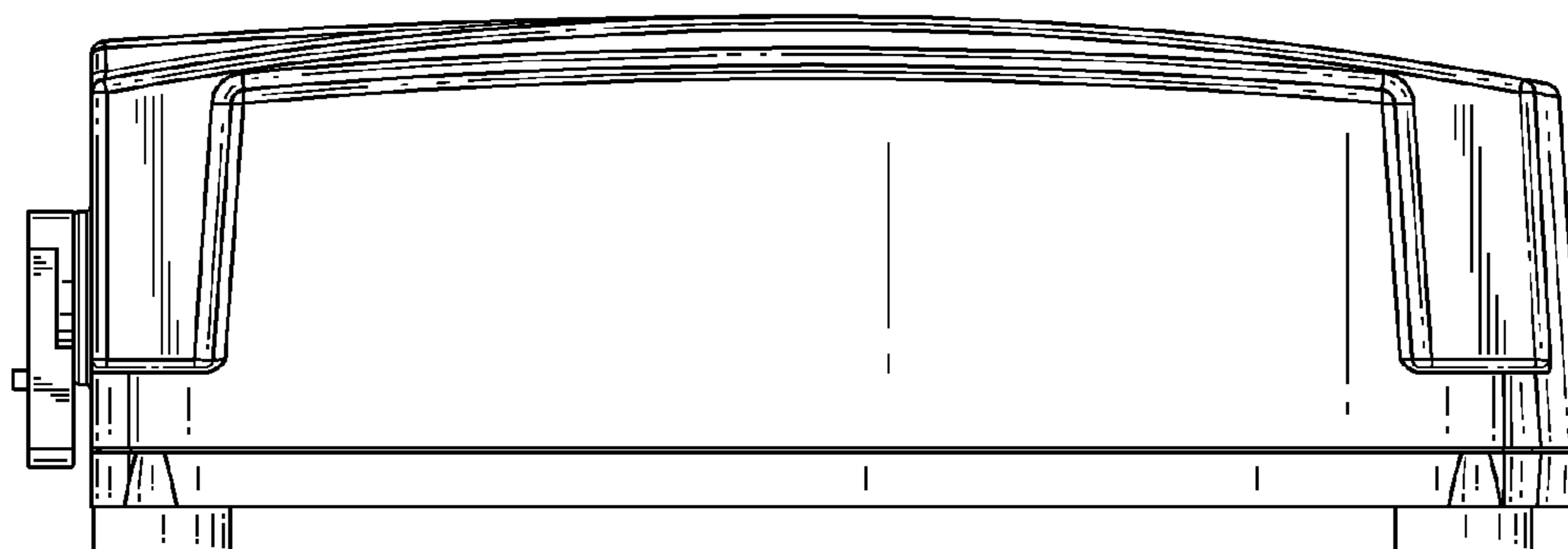


FIG. 4

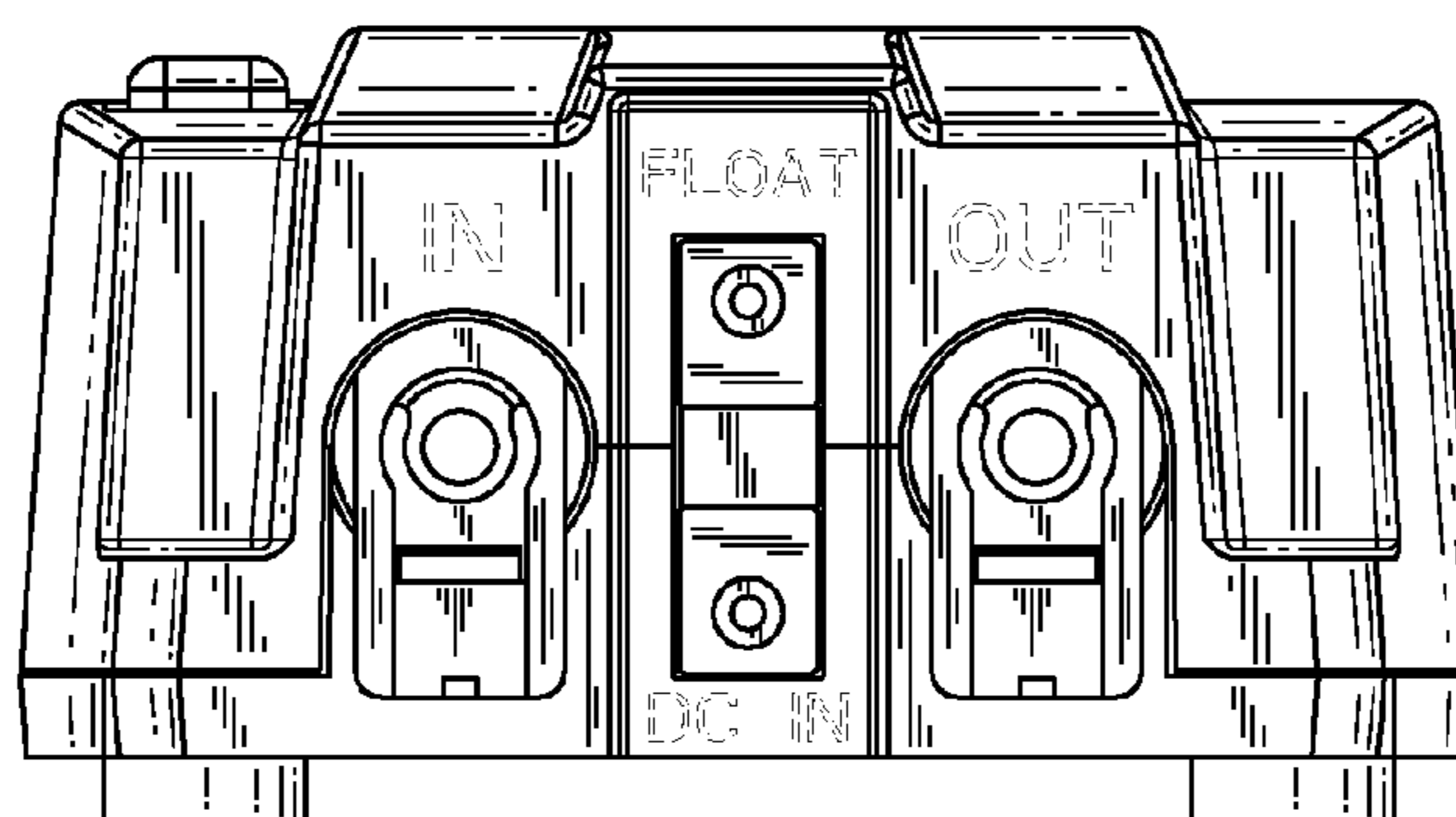


FIG. 5

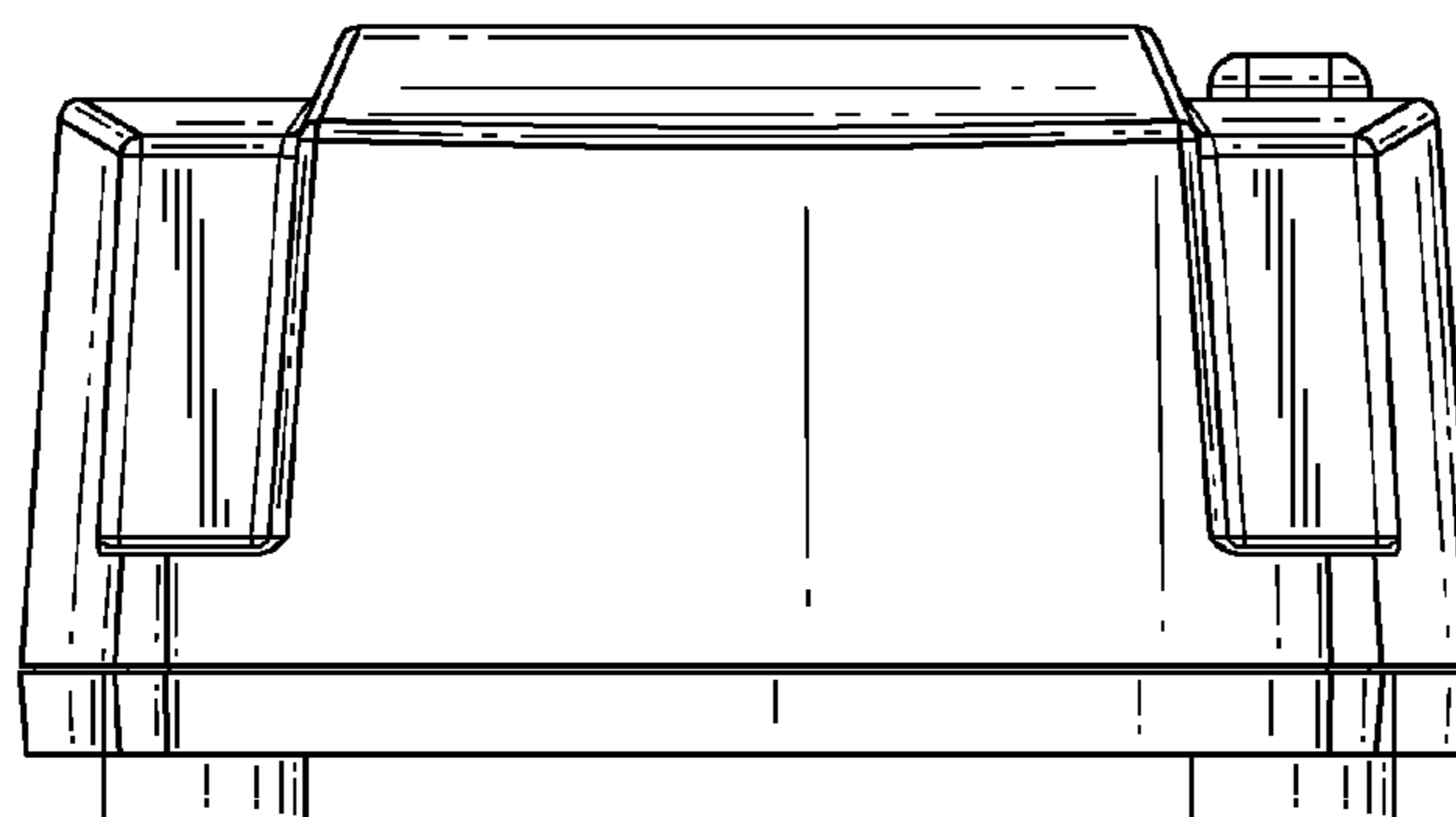


FIG. 6

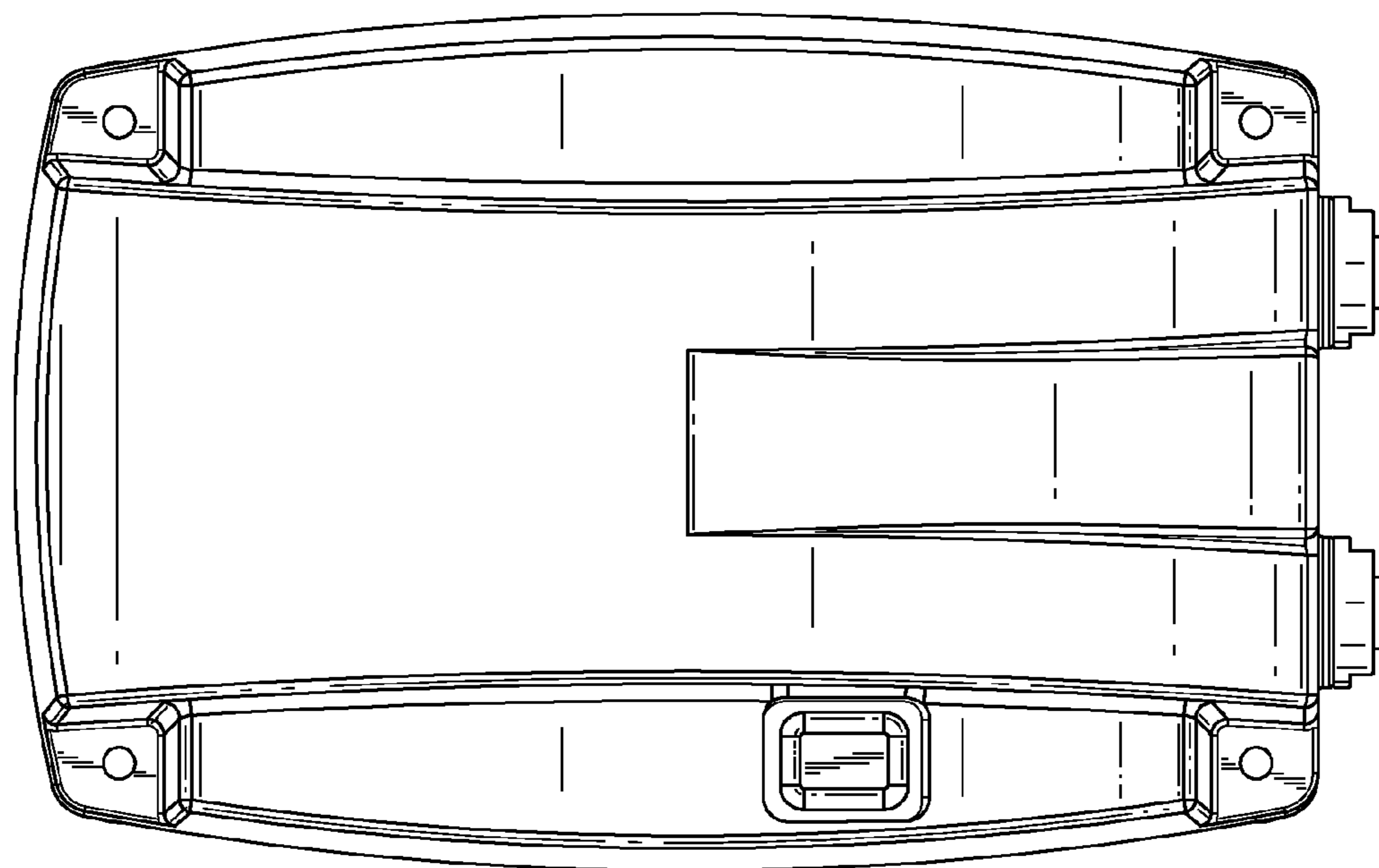


FIG. 7

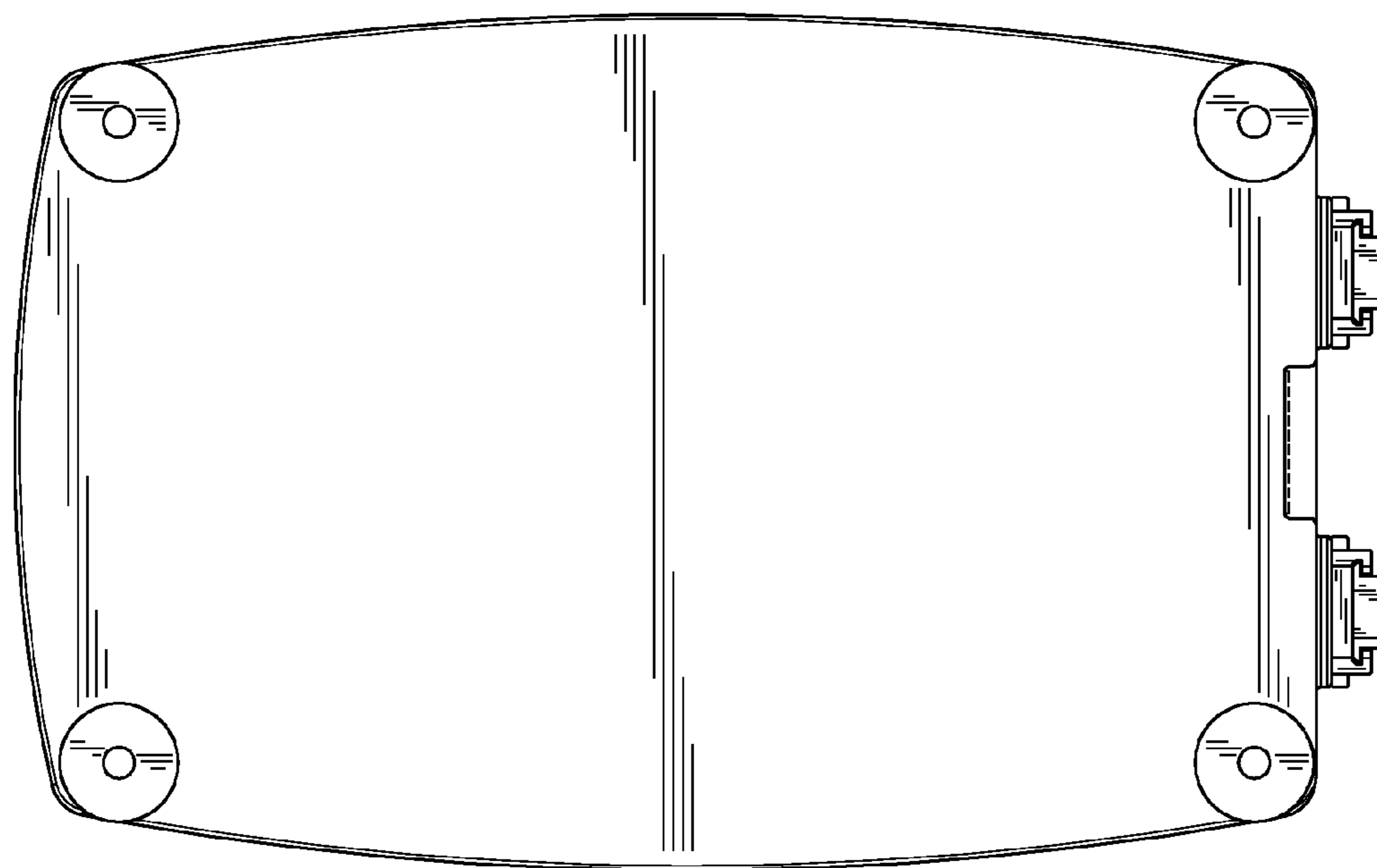
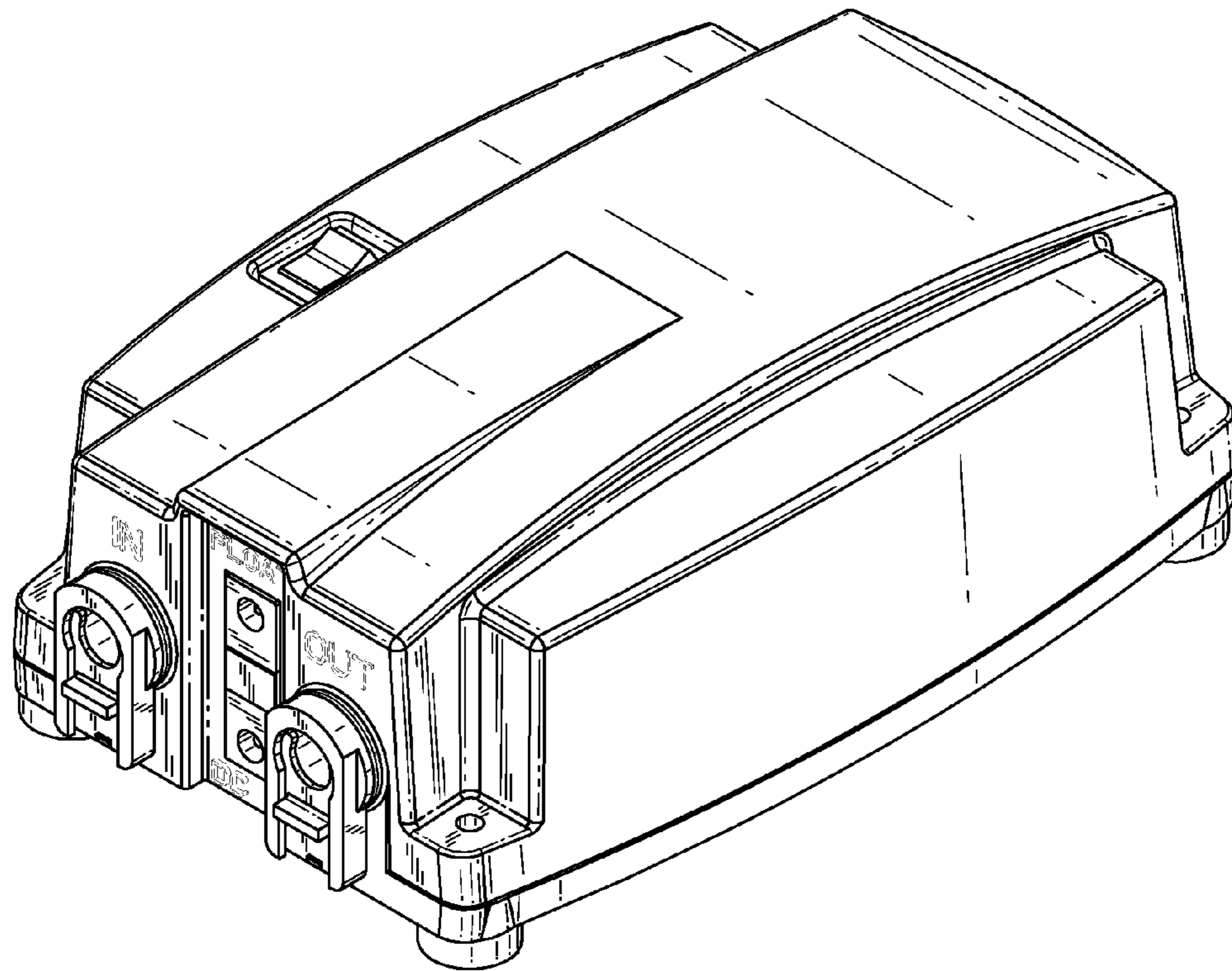
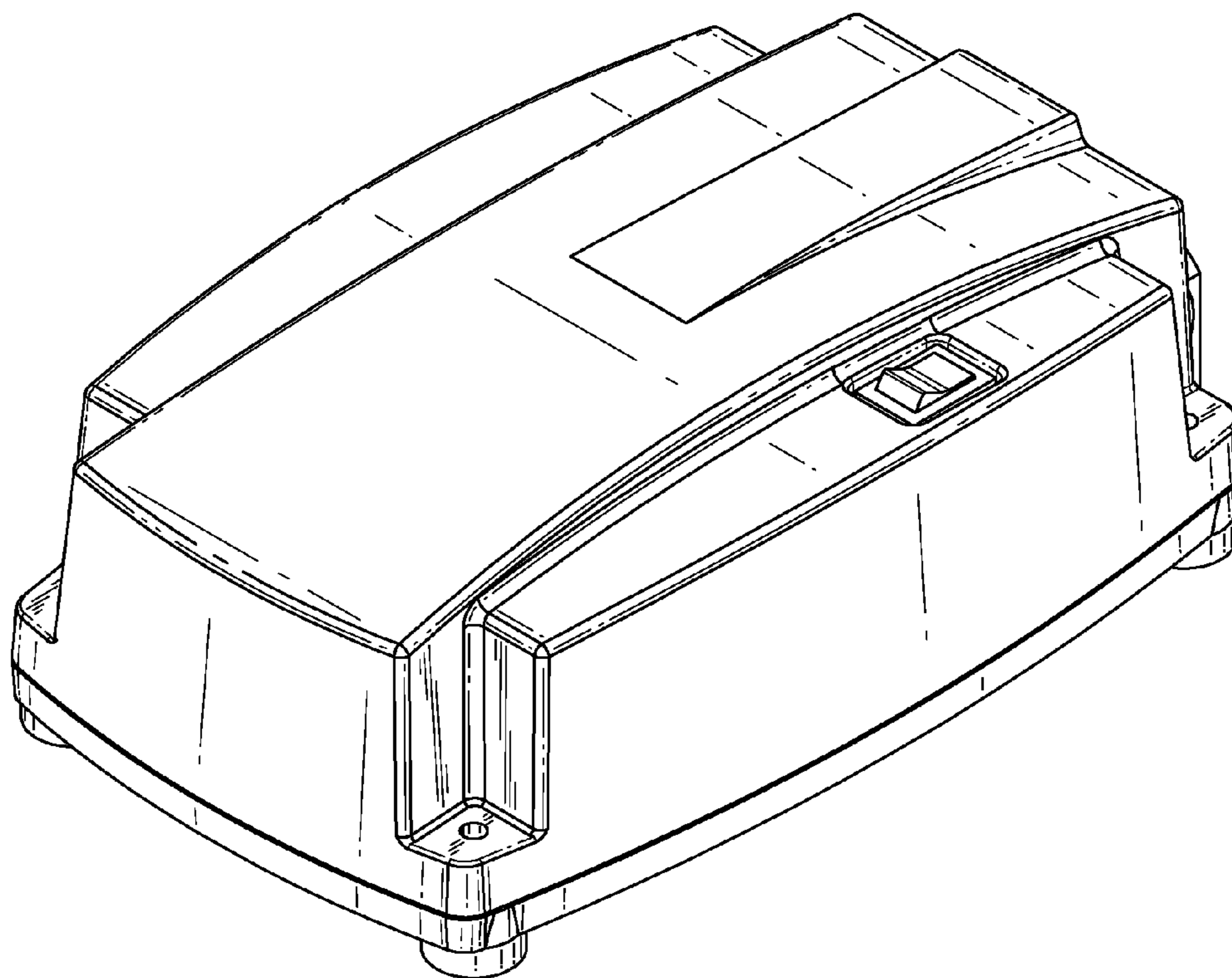


FIG. 8



*FIG. 9*



*FIG. 10*

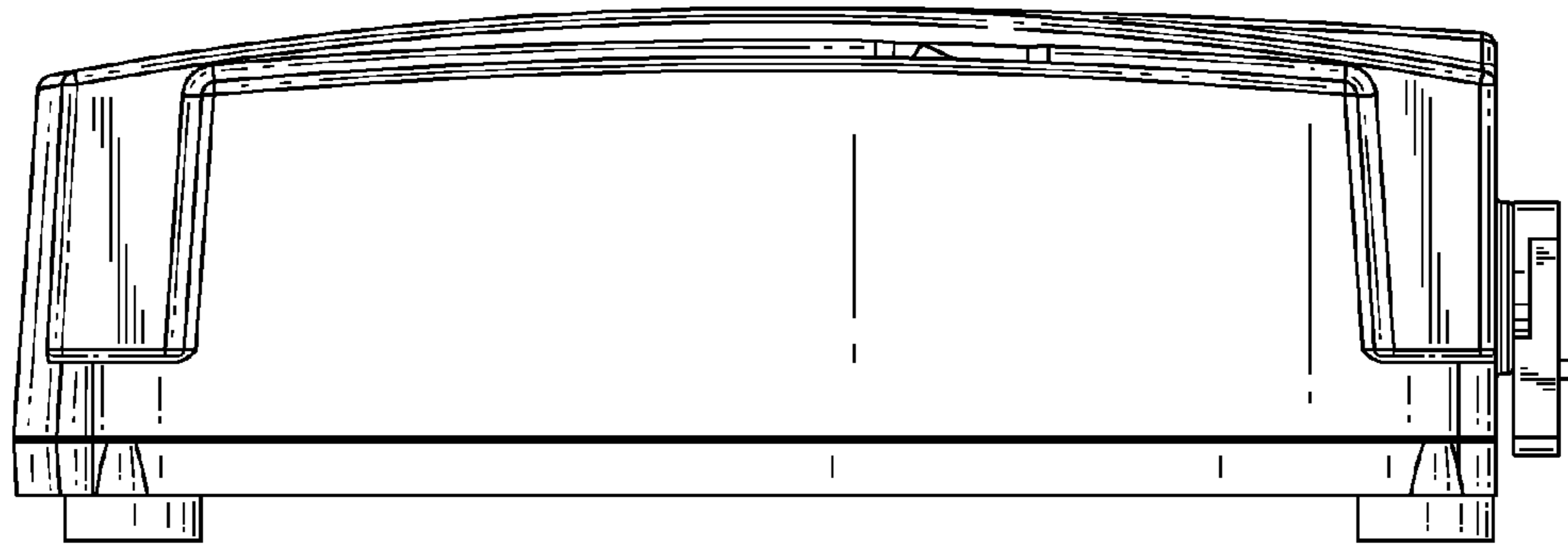


FIG. 11

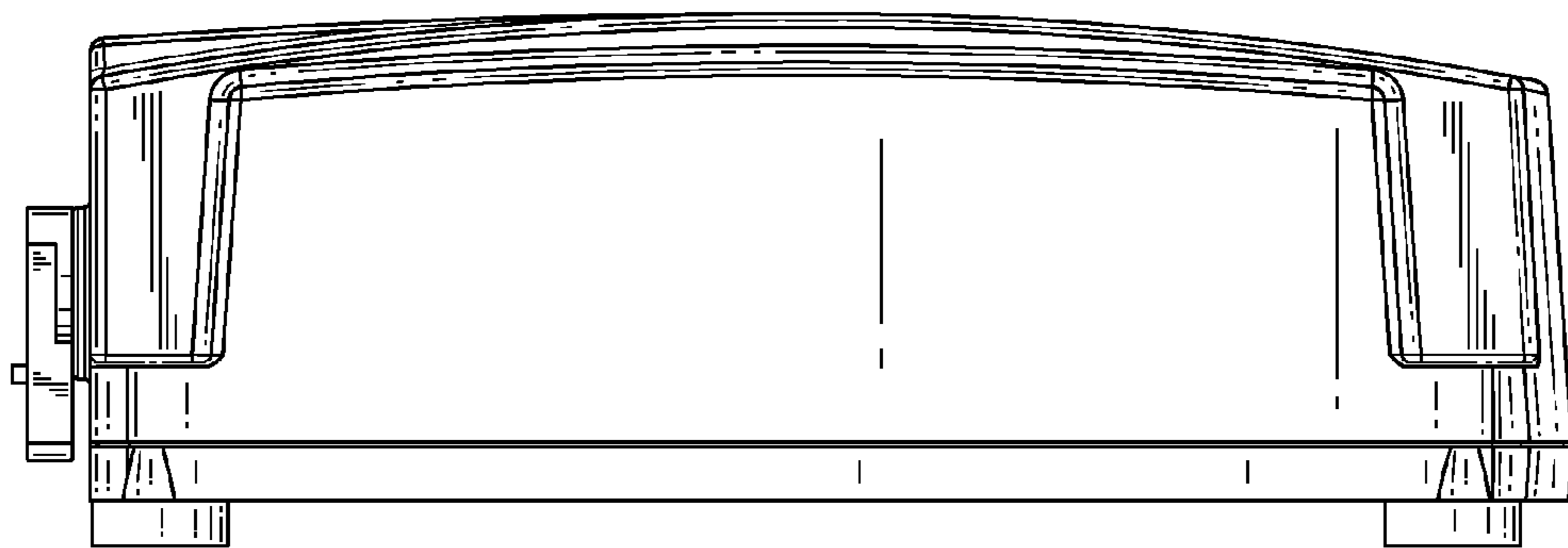


FIG. 12

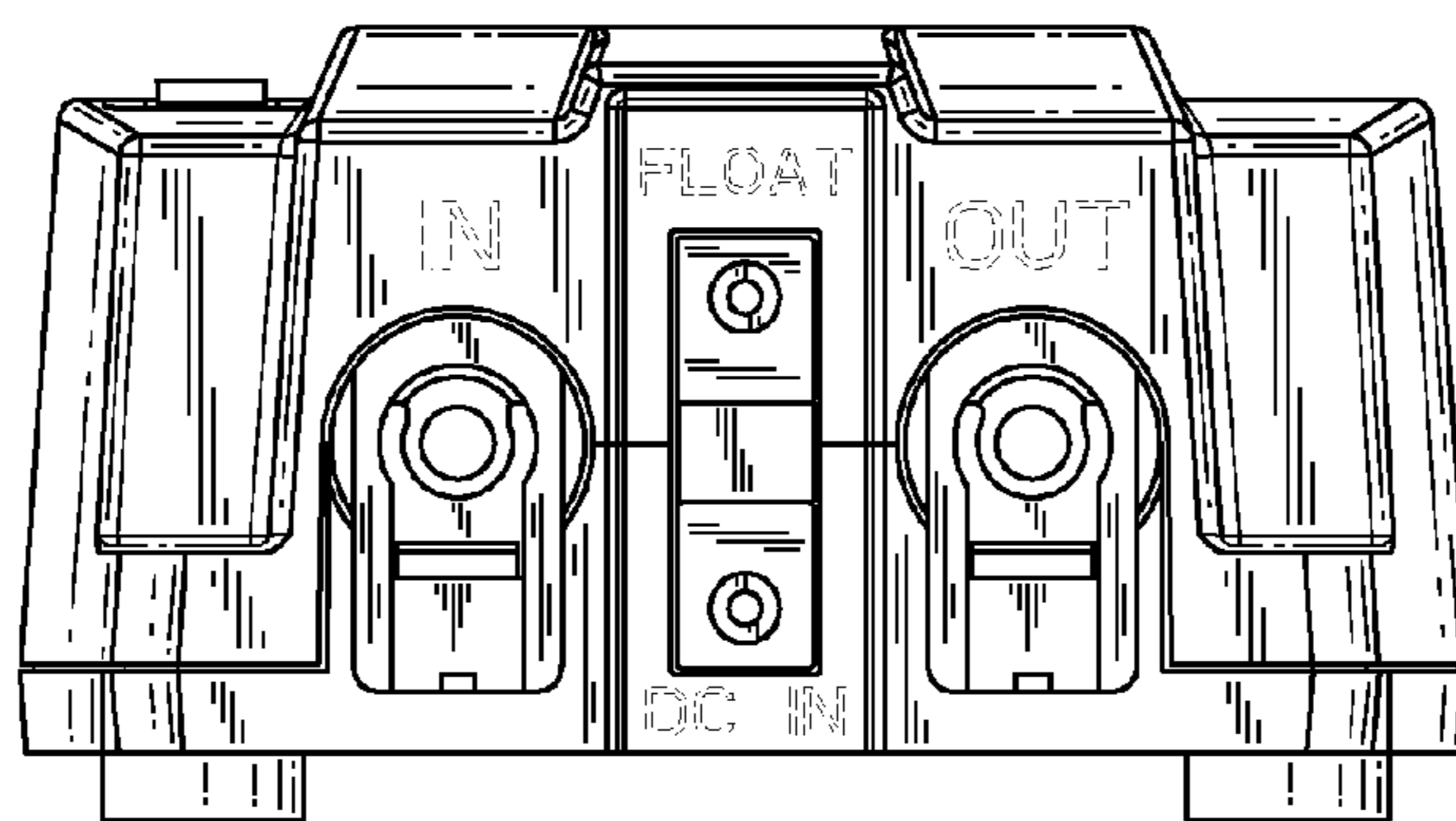


FIG. 13

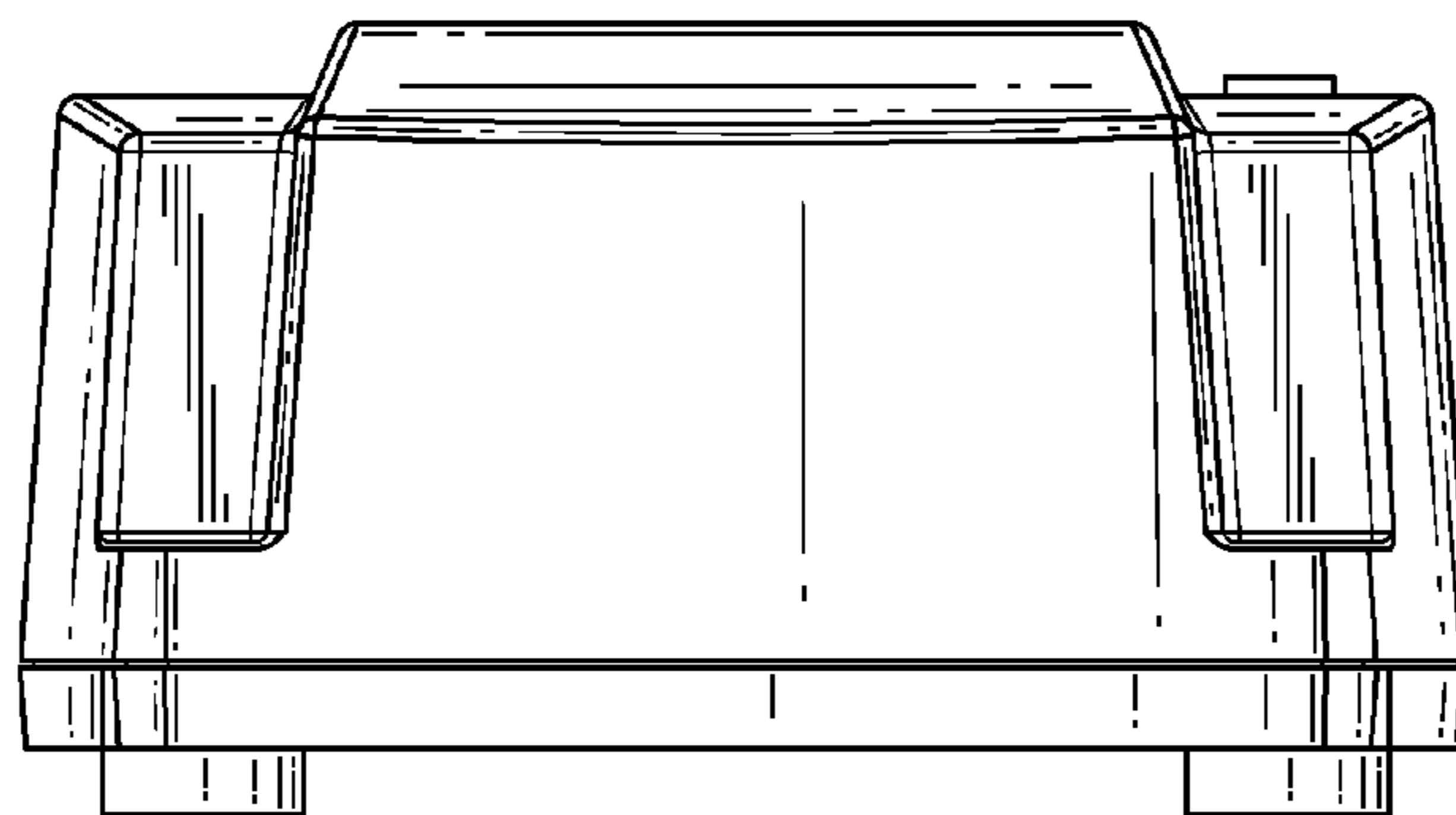
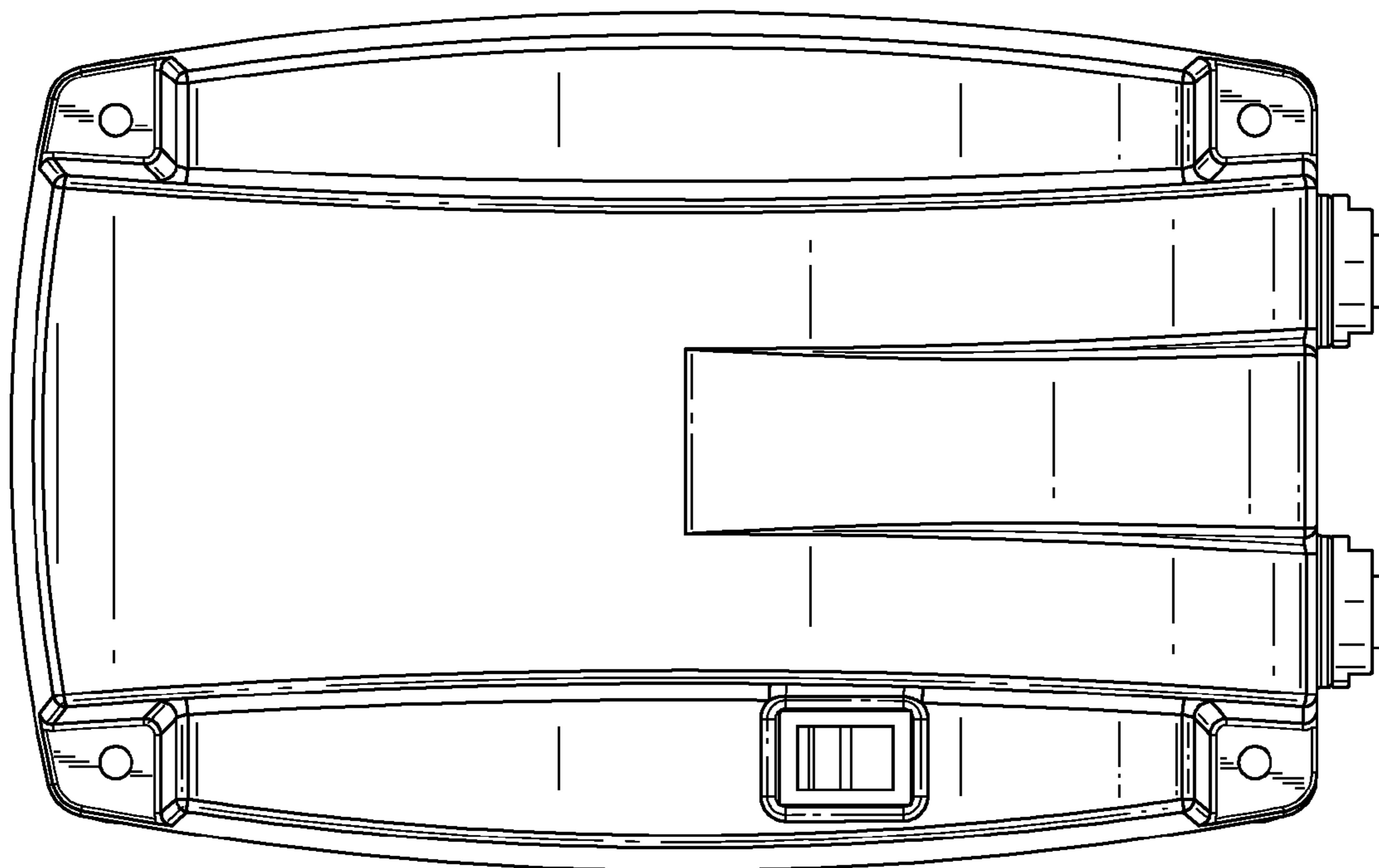
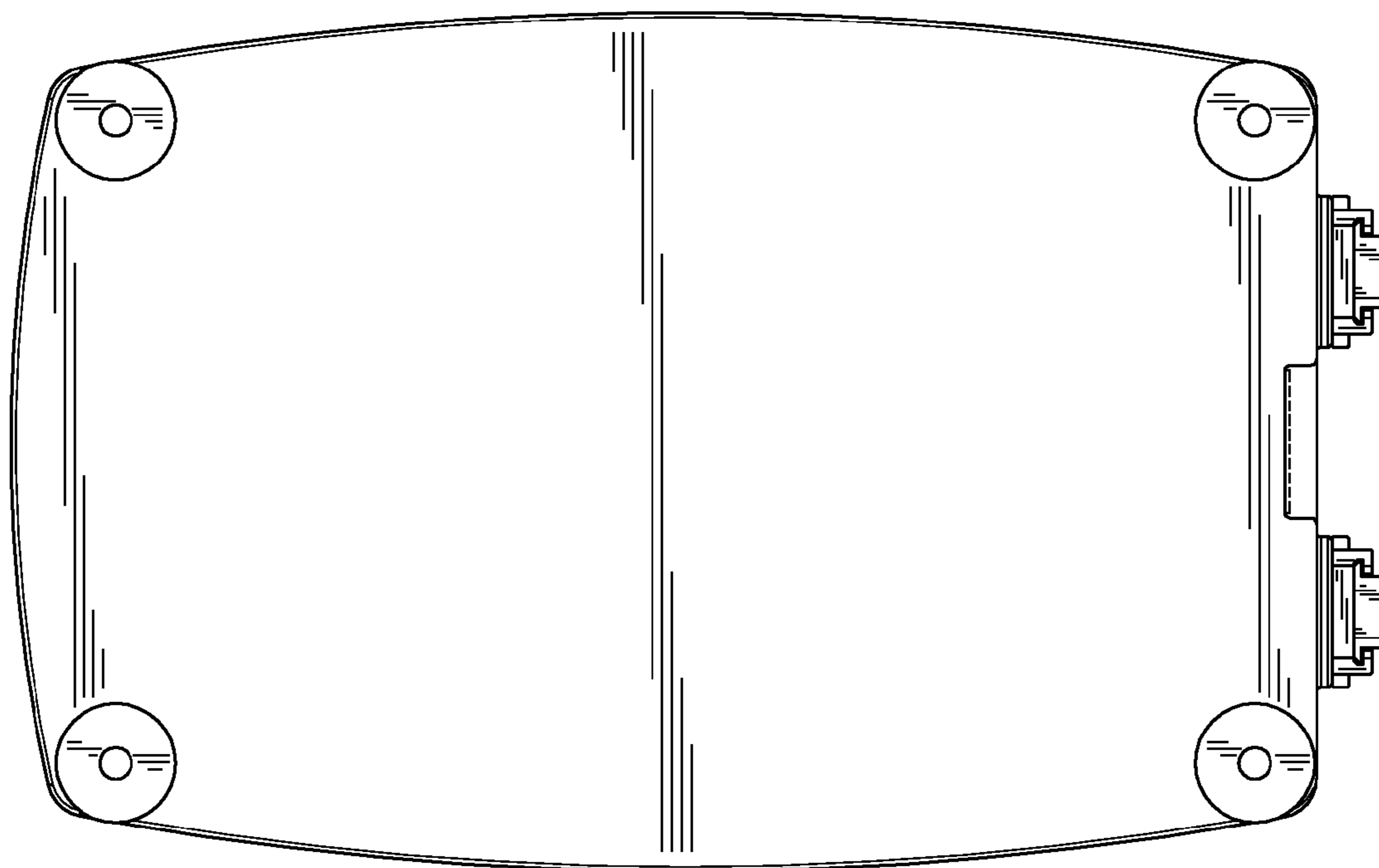


FIG. 14



*FIG. 15*



*FIG. 16*