



US00D638857S

(12) **United States Design Patent**
Garrison et al.

(10) **Patent No.:** **US D638,857 S**

(45) **Date of Patent:** **** May 31, 2011**

(54) **MOTORCYCLE CARBURETOR**

(75) Inventors: **John M. Garrison**, Arnold, MO (US);
Reuben E. Mirabal, St. Louis, MO (US)

(73) Assignee: **Midwest Motorcycle Supply Distributors Corp.**, Pevely, MO (US)

(**) Term: **14 Years**

(21) Appl. No.: **29/383,191**

(22) Filed: **Jan. 13, 2011**

(51) **LOC (9) Cl.** **15-01**

(52) **U.S. Cl.** **D15/6**

(58) **Field of Classification Search** D15/1-6,
D15/51; 261/18.3, 23.2, 34.2
See application file for complete search history.

(56) **References Cited**

U.S. PATENT DOCUMENTS

| | | | | | |
|-----------|-----|---------|--------------|-------|----------|
| 4,913,855 | A * | 4/1990 | Panzica | | 261/50.1 |
| 5,128,071 | A * | 7/1992 | Smith et al. | | 261/34.2 |
| 5,258,143 | A * | 11/1993 | Wang | | 261/44.3 |
| 6,042,088 | A * | 3/2000 | Wang | | 261/39.1 |
| D447,147 | S * | 8/2001 | Grant | | D15/6 |
| D625,739 | S * | 10/2010 | Wakana | | D15/6 |

* cited by examiner

Primary Examiner — T. Chase Nelson

Assistant Examiner — Ania Dworzecka

(74) *Attorney, Agent, or Firm* — Thompson Coburn LLP;
Clyde L. Smith

(57) **CLAIM**

We claim the ornamental design for a motorcycle carburetor, as shown and described.

DESCRIPTION

FIG. 1 is a front elevation view of a motorcycle carburetor showing our new design.

FIG. 2 is a top plan view thereof;

FIG. 3 is a bottom plan view thereof;

FIG. 4 is a right side elevation view thereof;

FIG. 5 is a left side elevation view thereof;

FIG. 6 is a rear elevation view thereof;

FIG. 7 is a top perspective view thereof;

FIG. 8 is another top perspective view thereof;

FIG. 9 is a front bottom perspective view thereof;

FIG. 10 is another front bottom perspective view thereof;

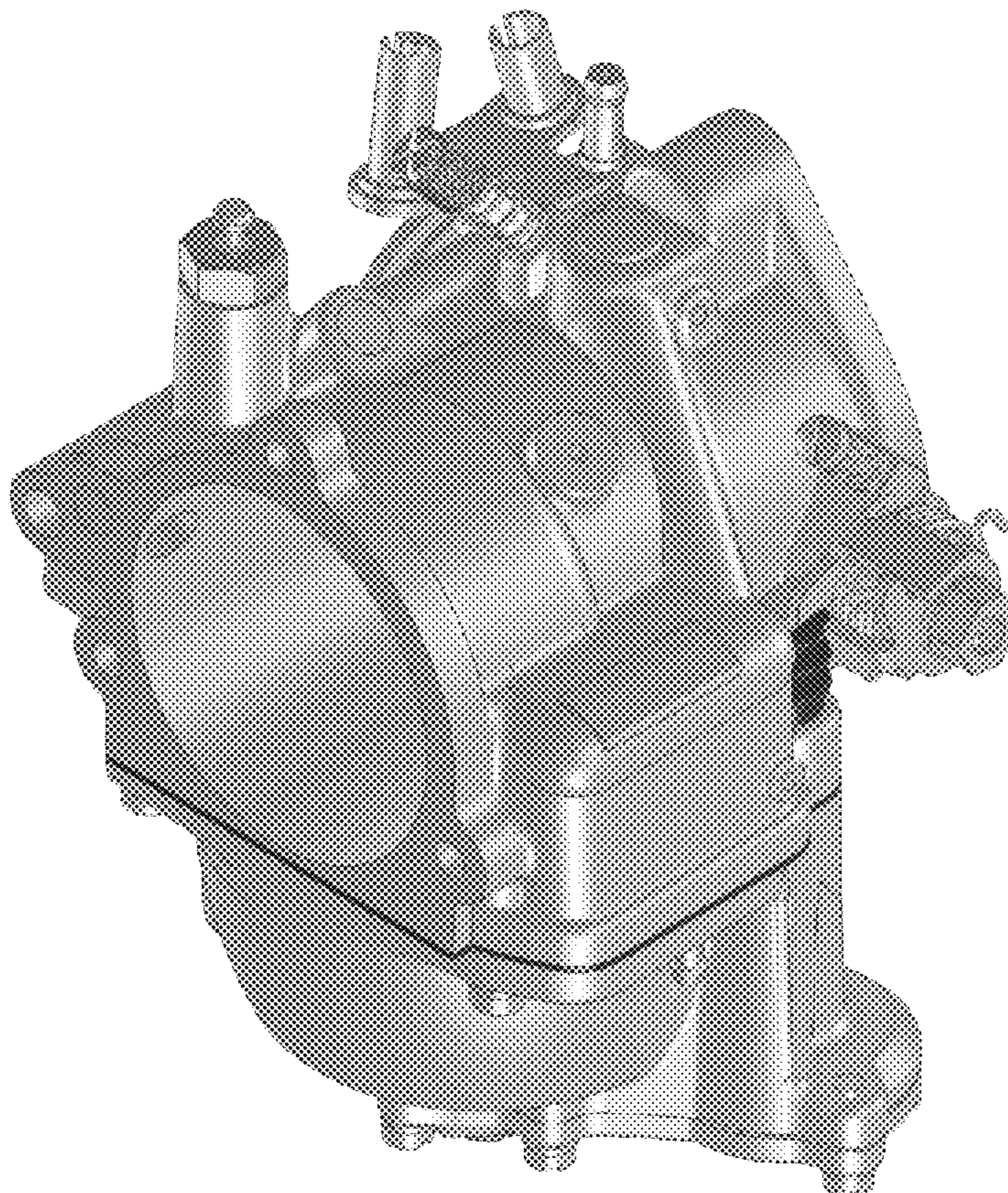
FIG. 11 is a rear top perspective view thereof;

FIG. 12 is another rear top perspective view thereof;

FIG. 13 is a rear bottom perspective view thereof; and,

FIG. 14 is another rear bottom perspective view thereof.

1 Claim, 14 Drawing Sheets



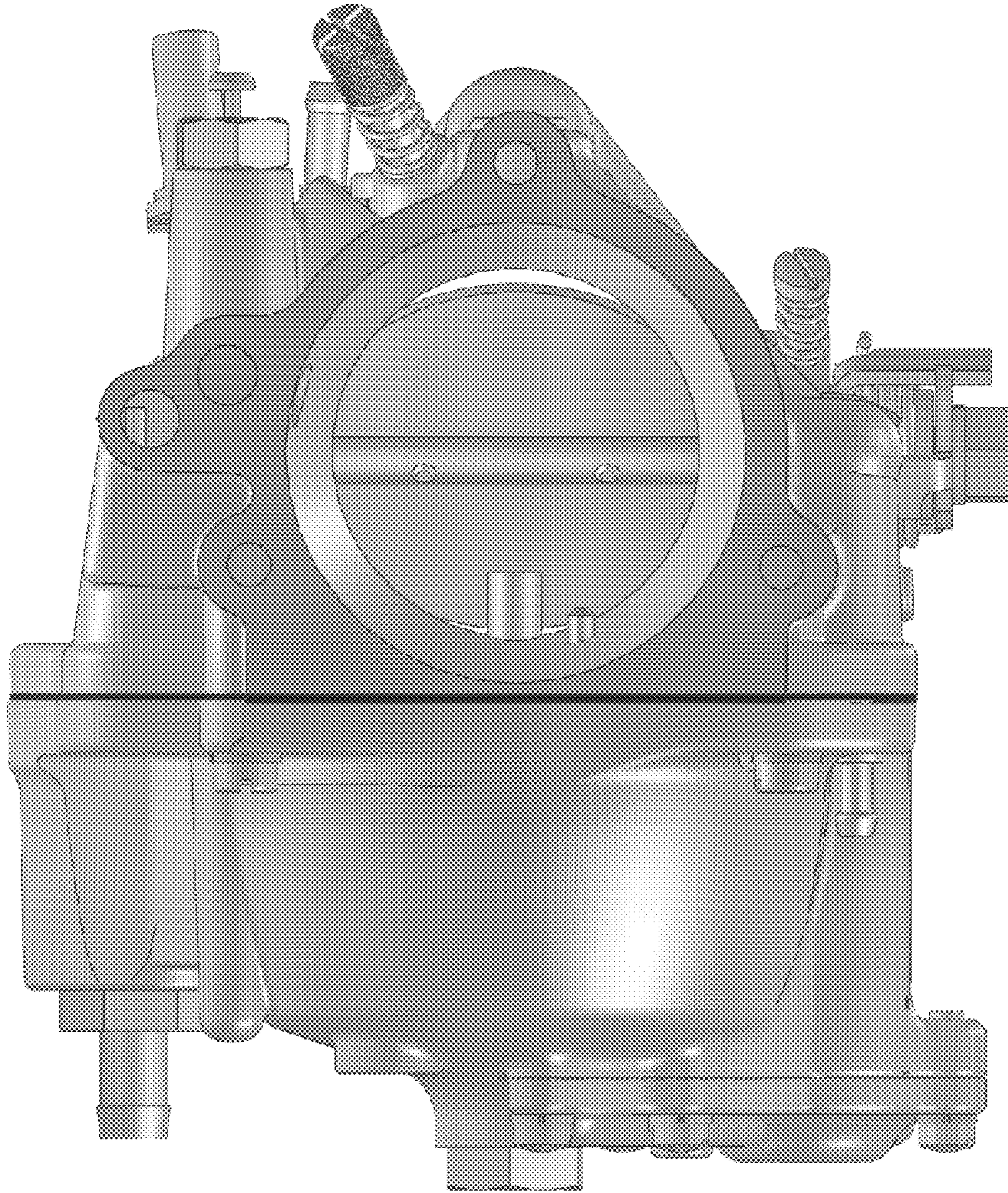


FIG. 1

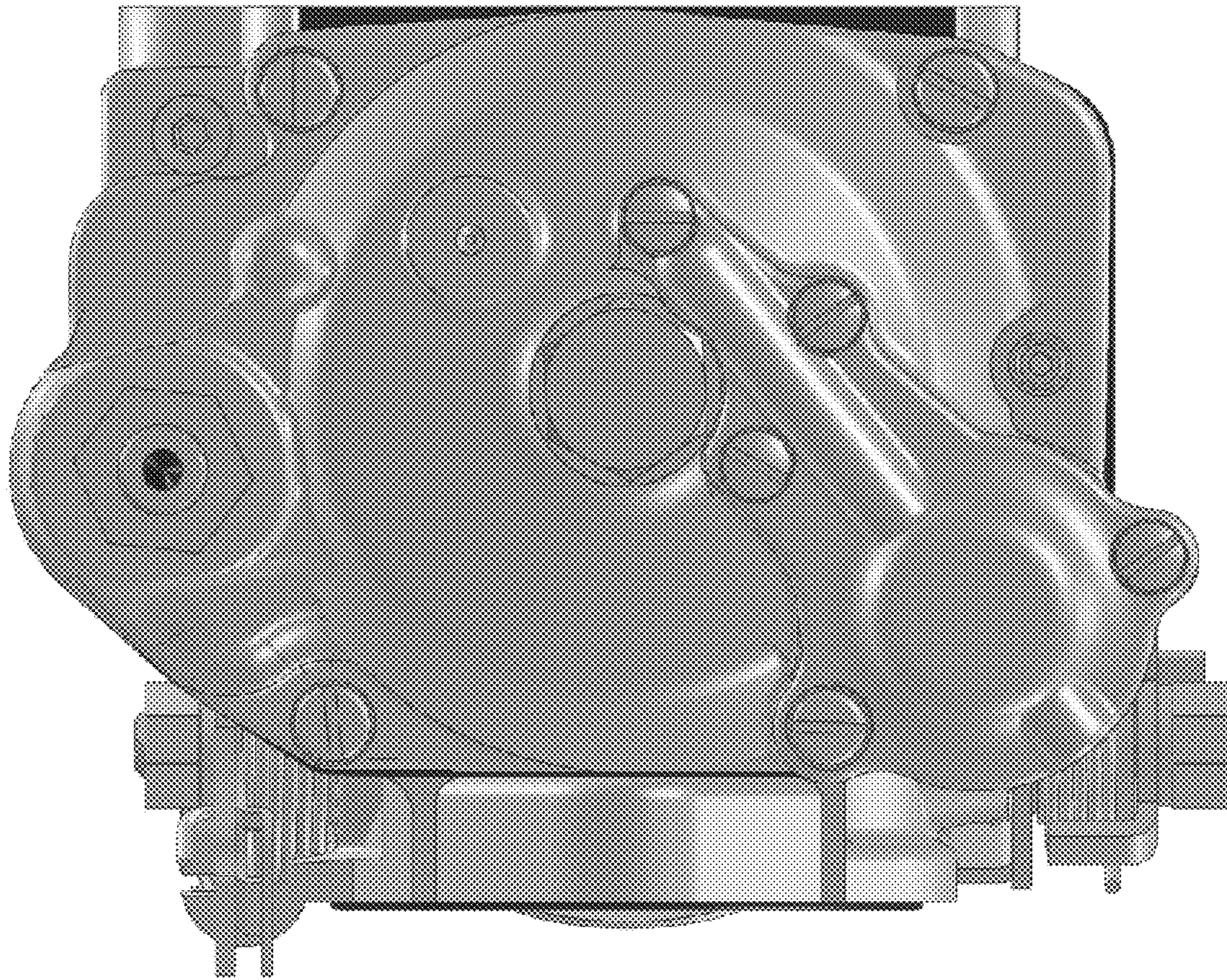


FIG. 2

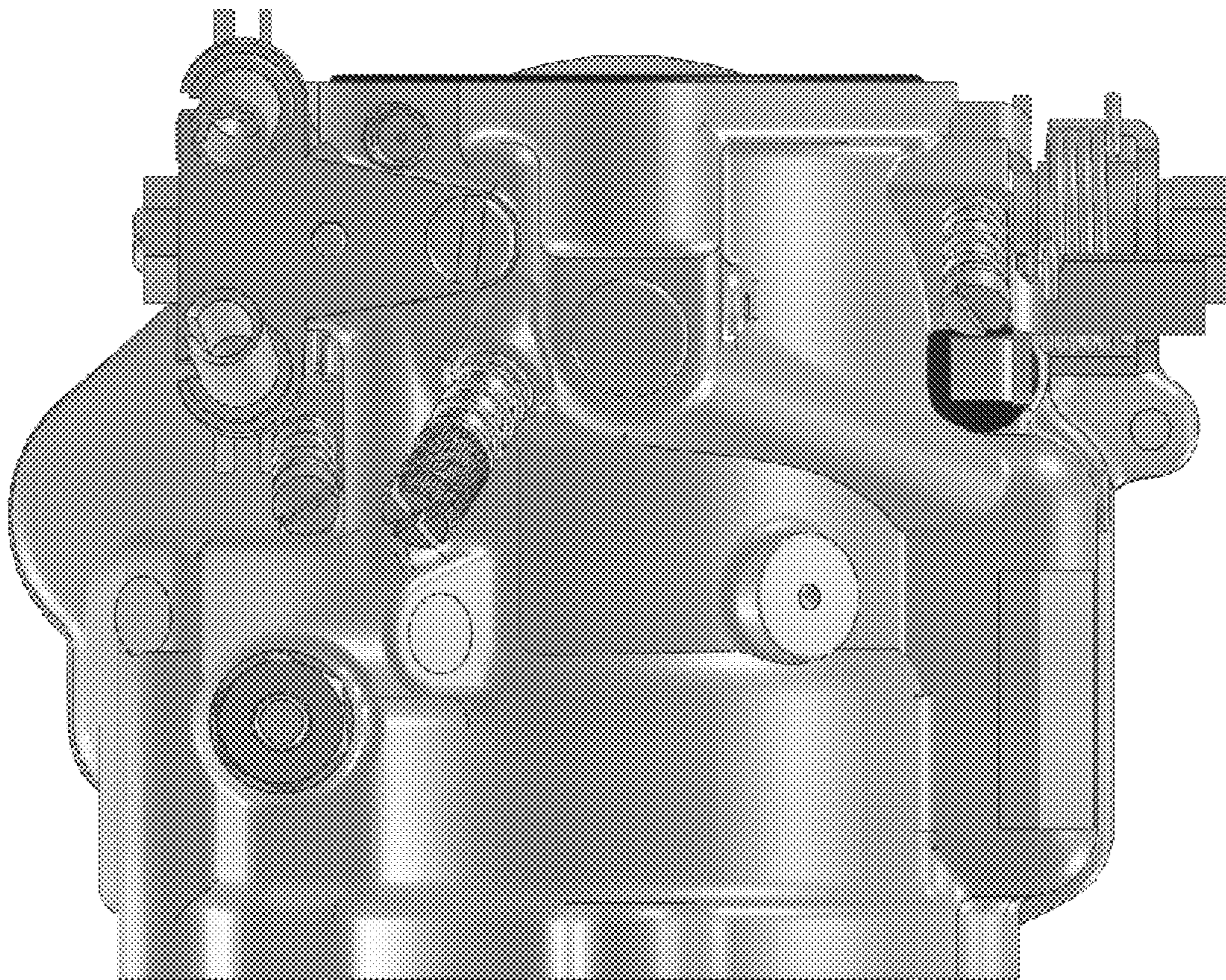


FIG. 3

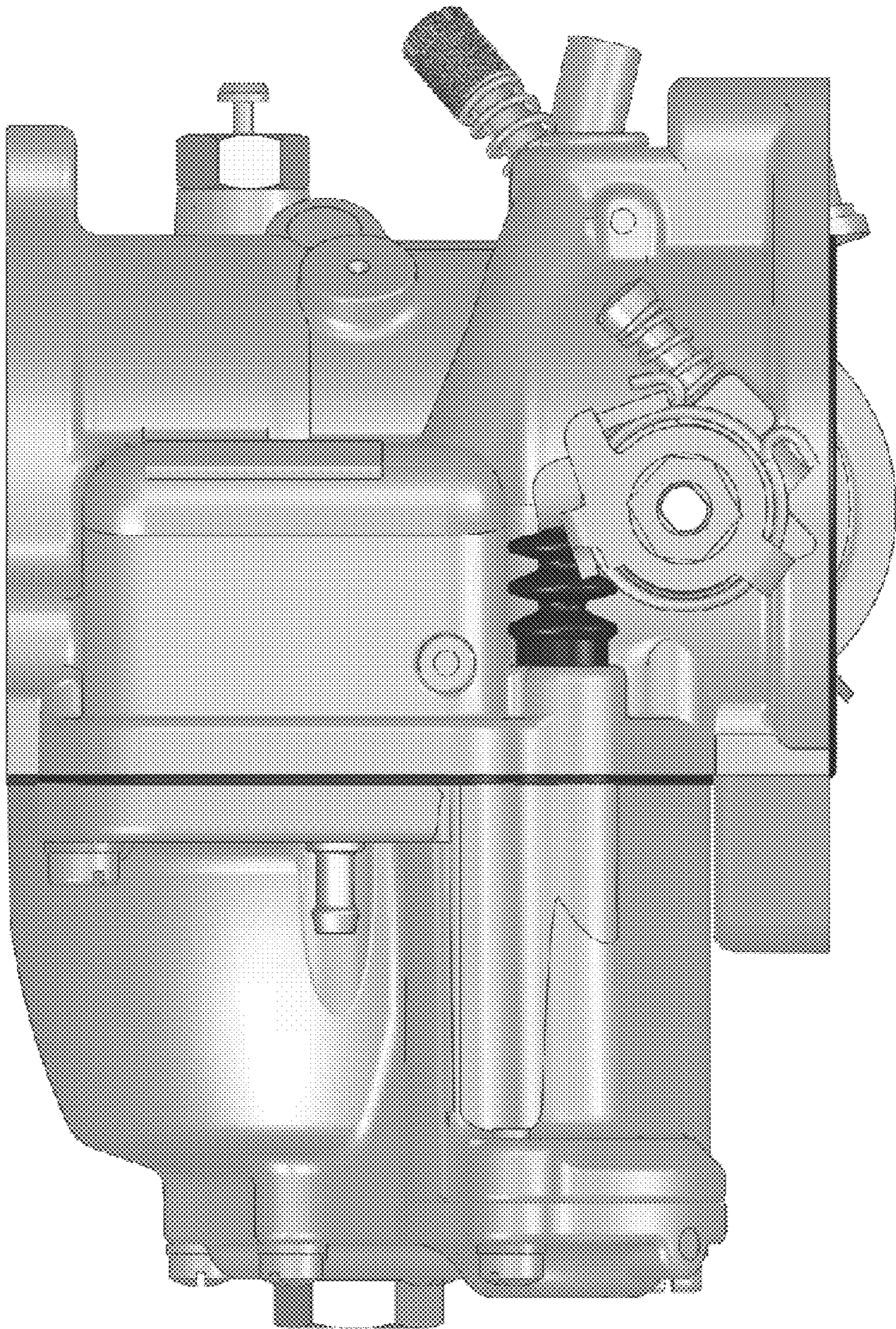


FIG. 4

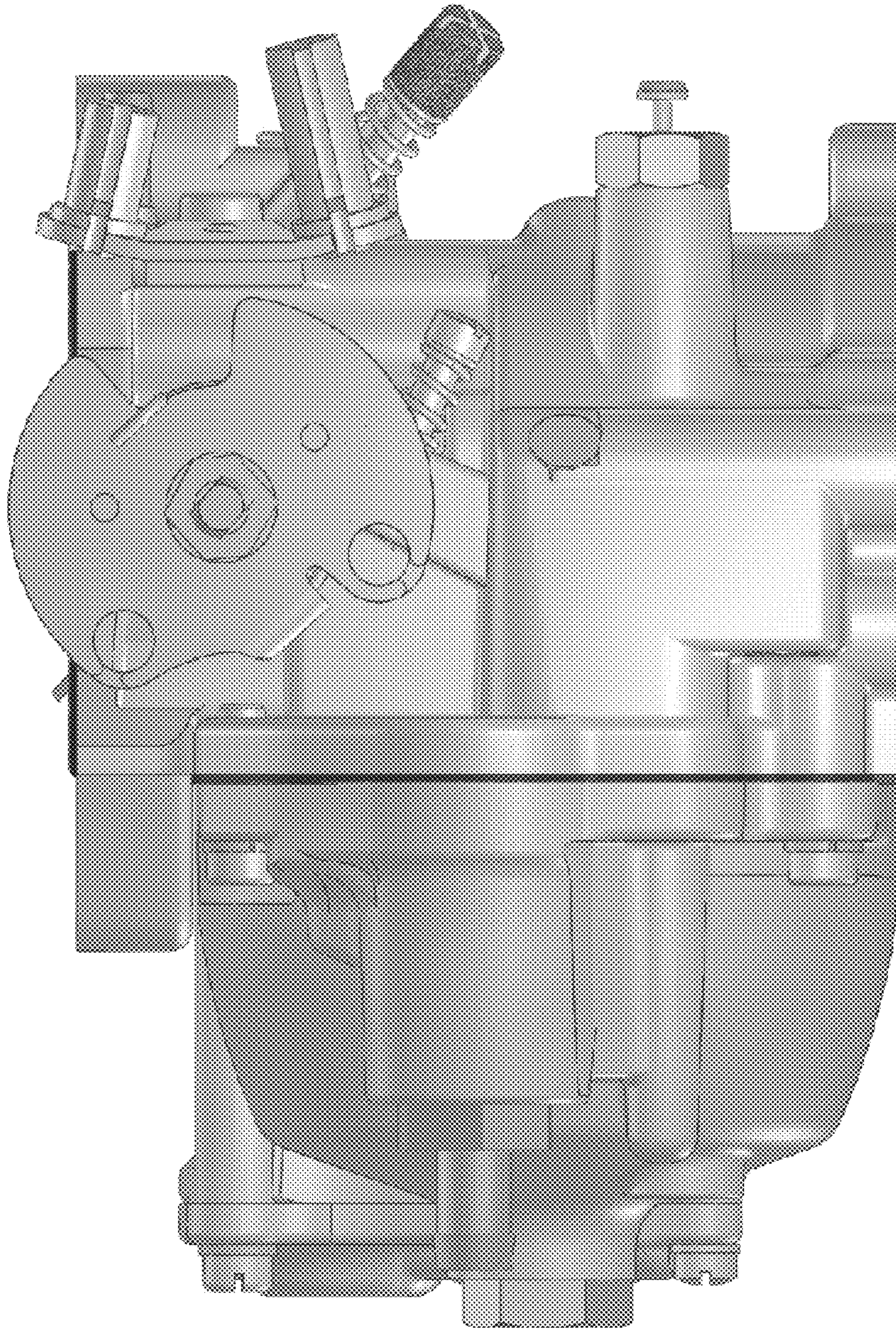


FIG. 5

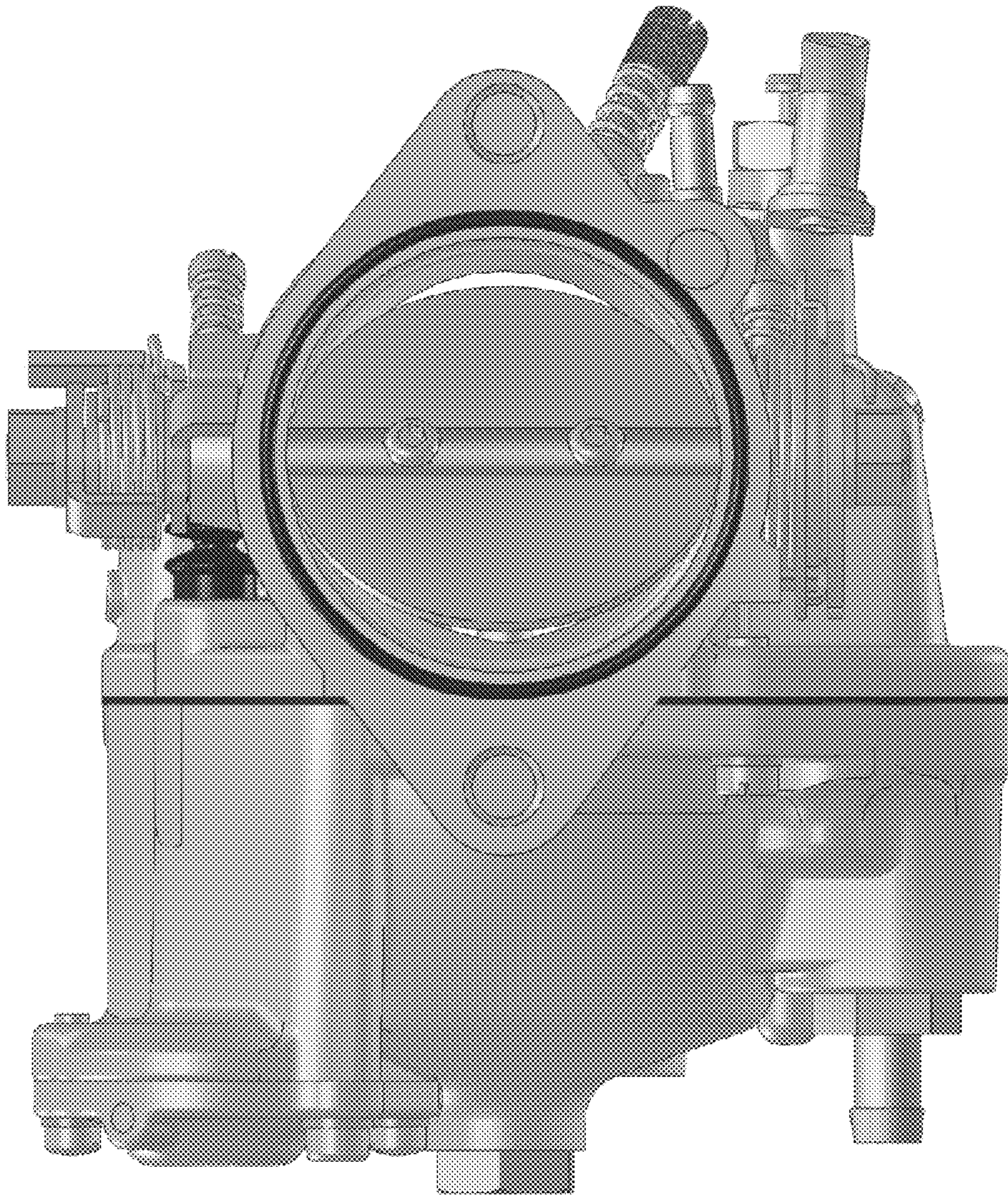


FIG. 6

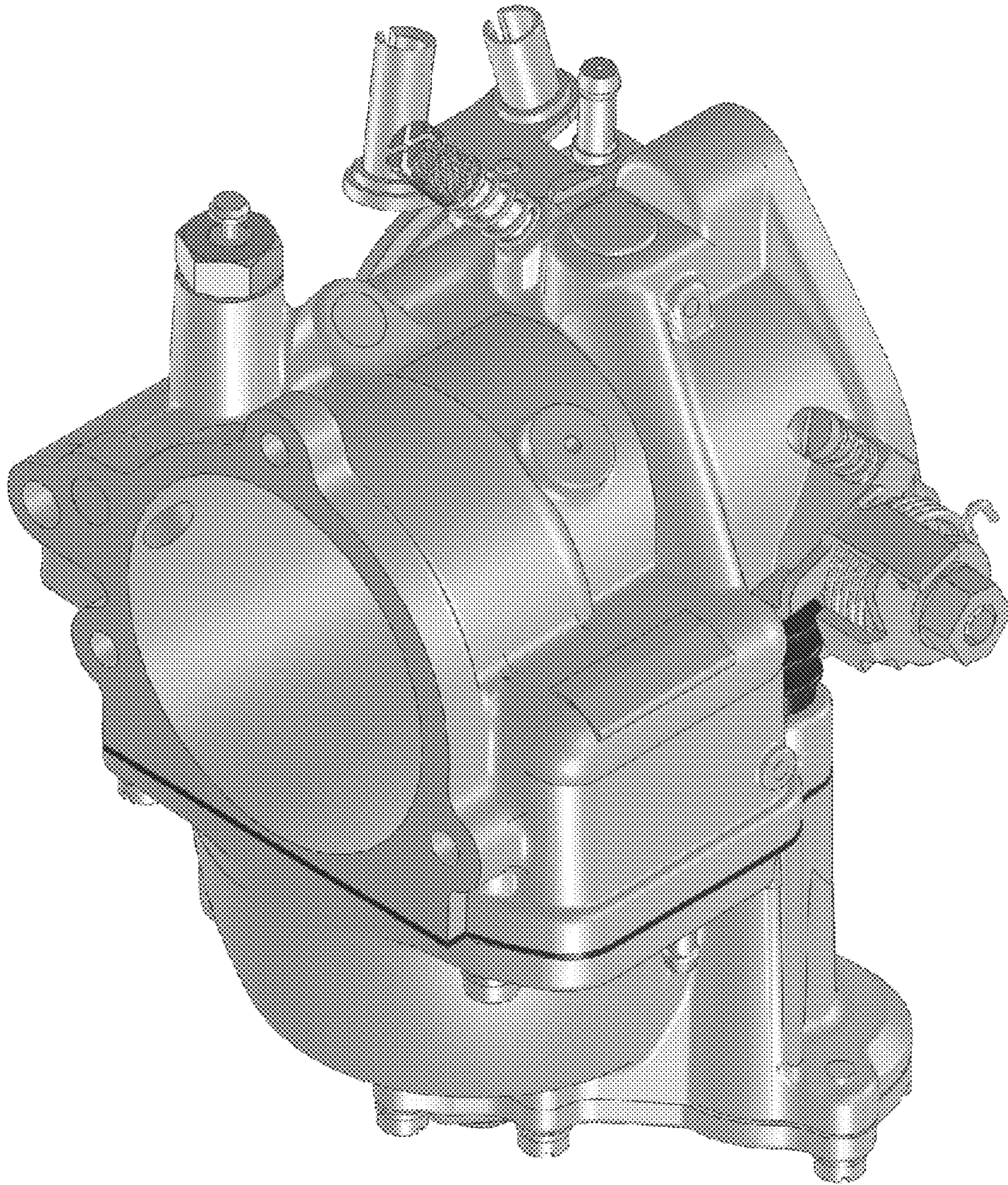


FIG. 7

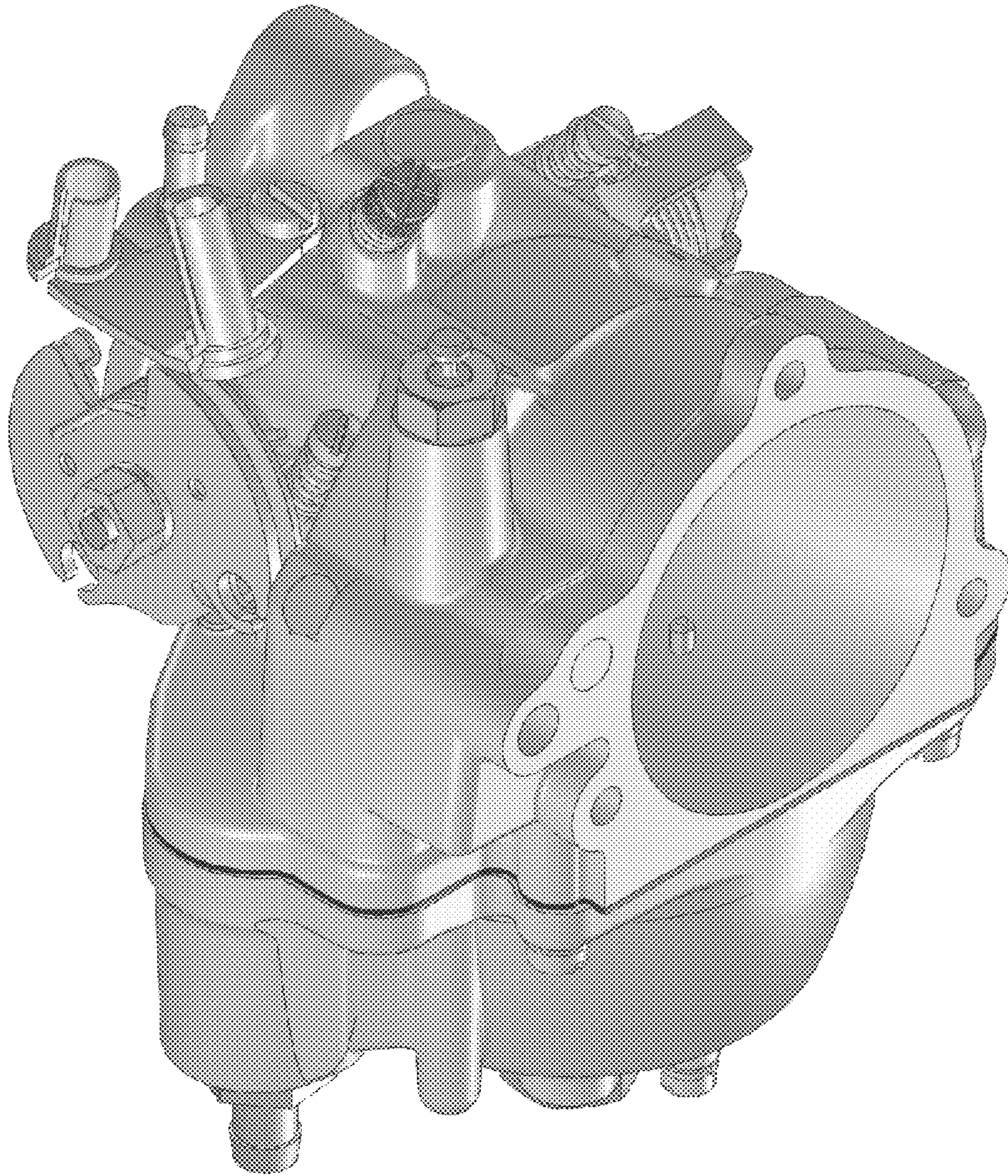


FIG. 8

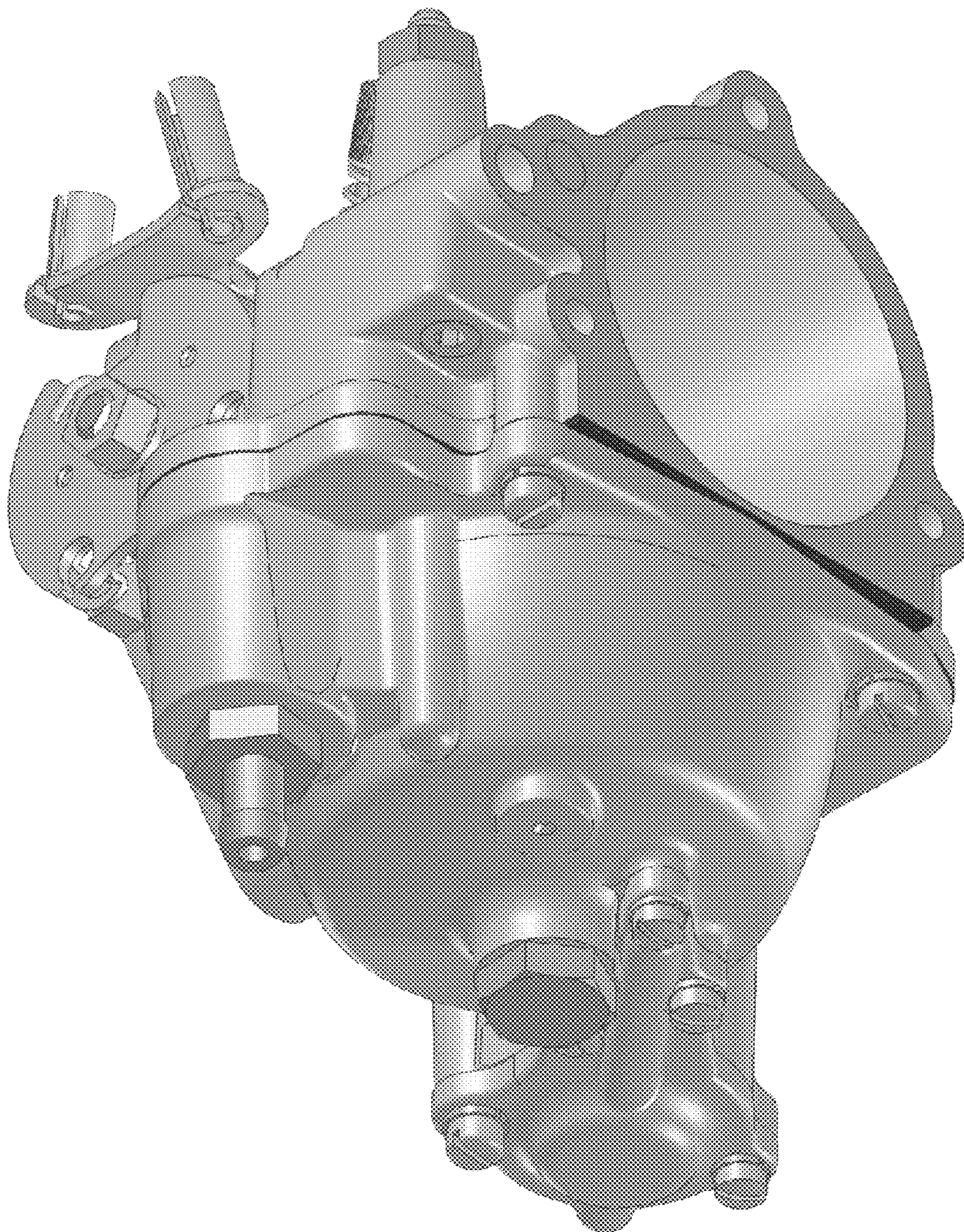


FIG. 9

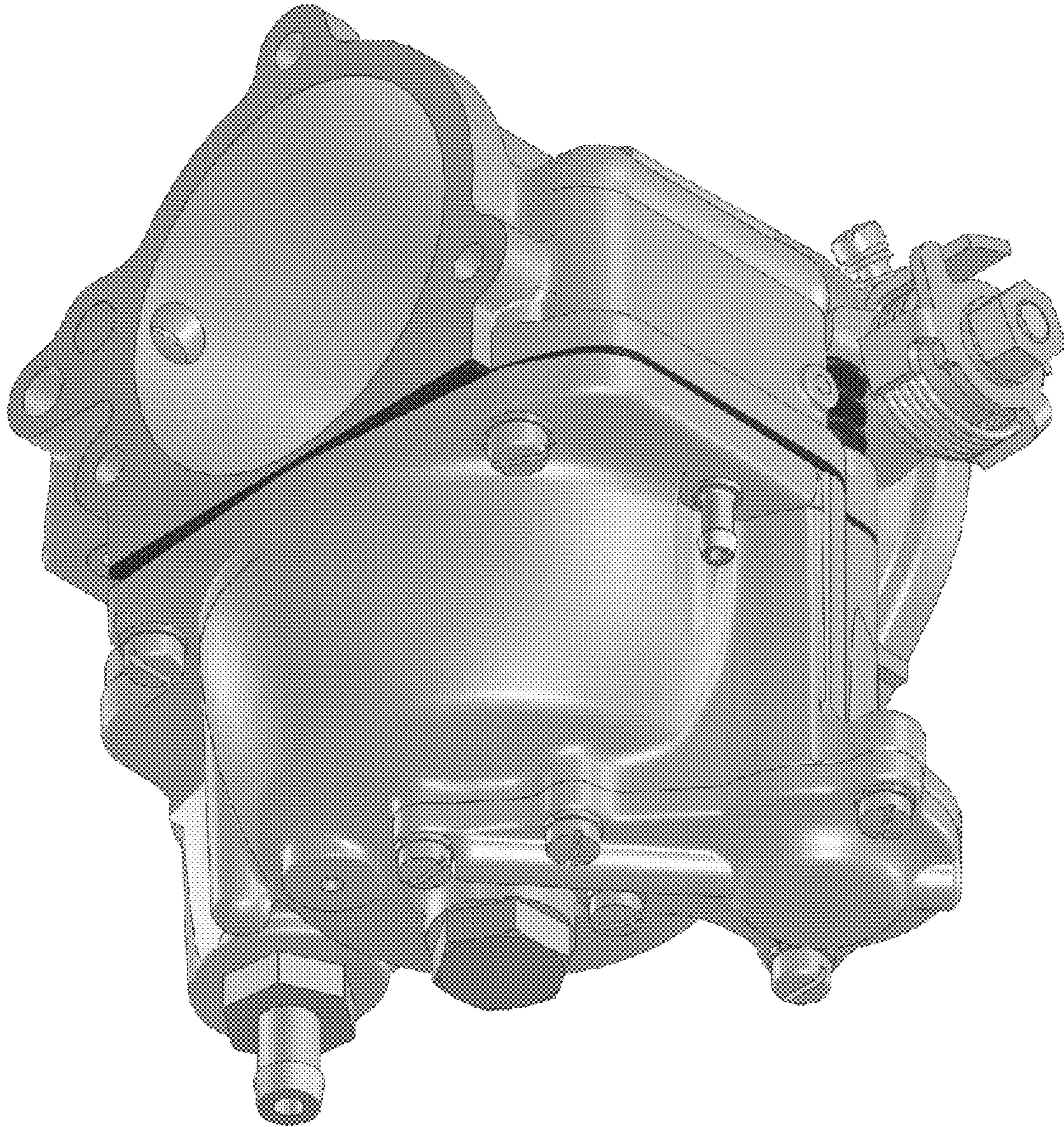


FIG. 10

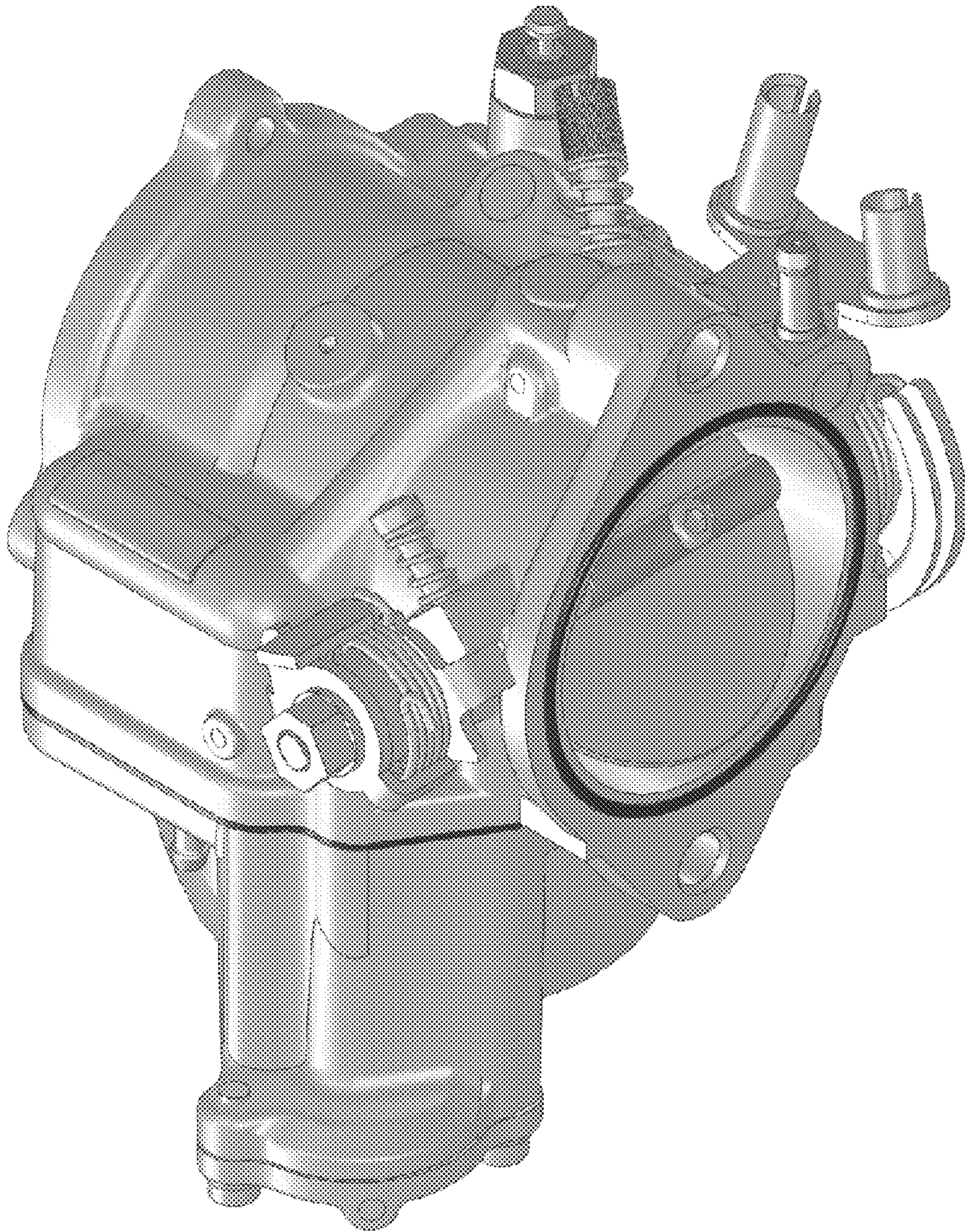


FIG. 11

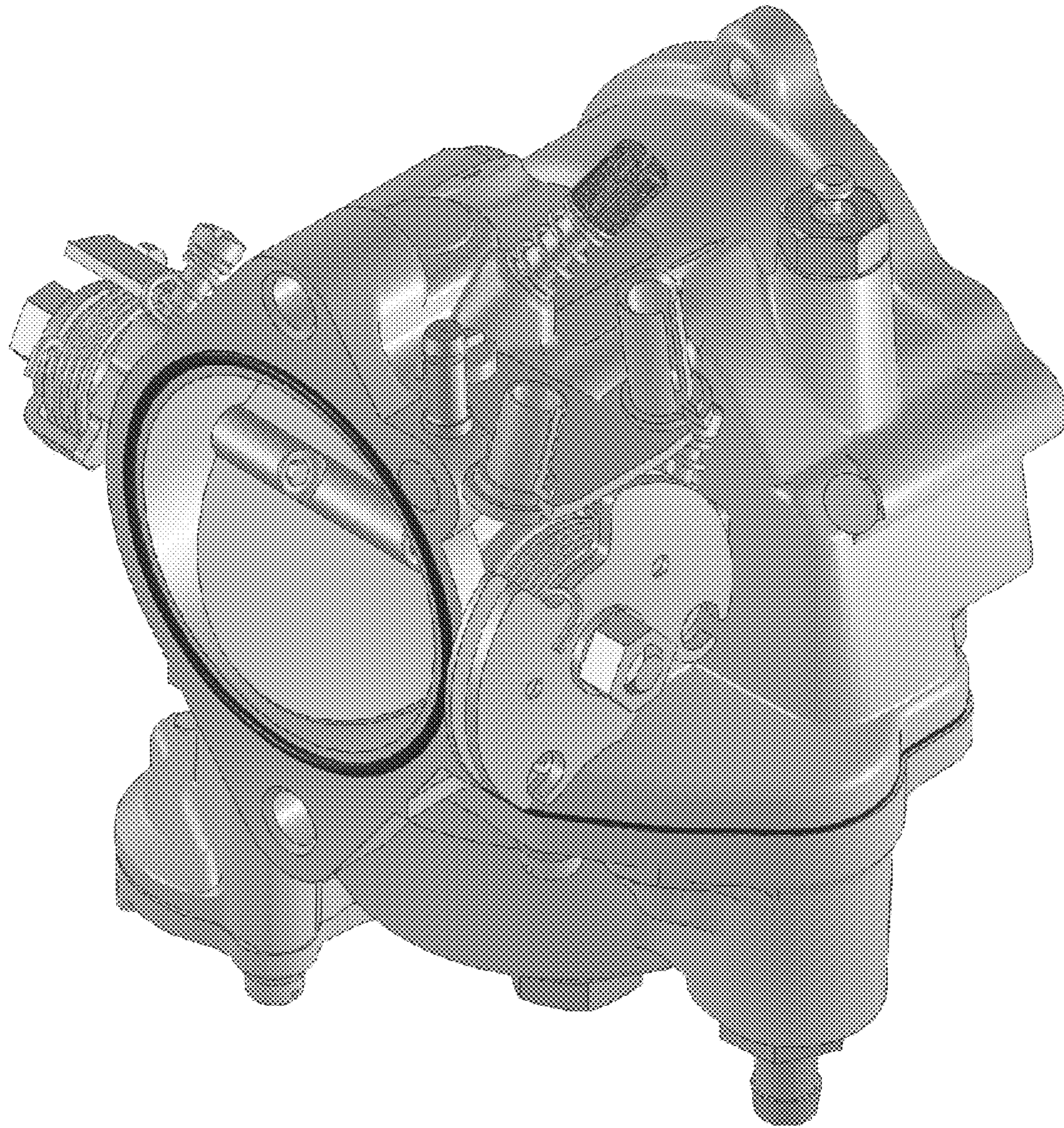


FIG. 12

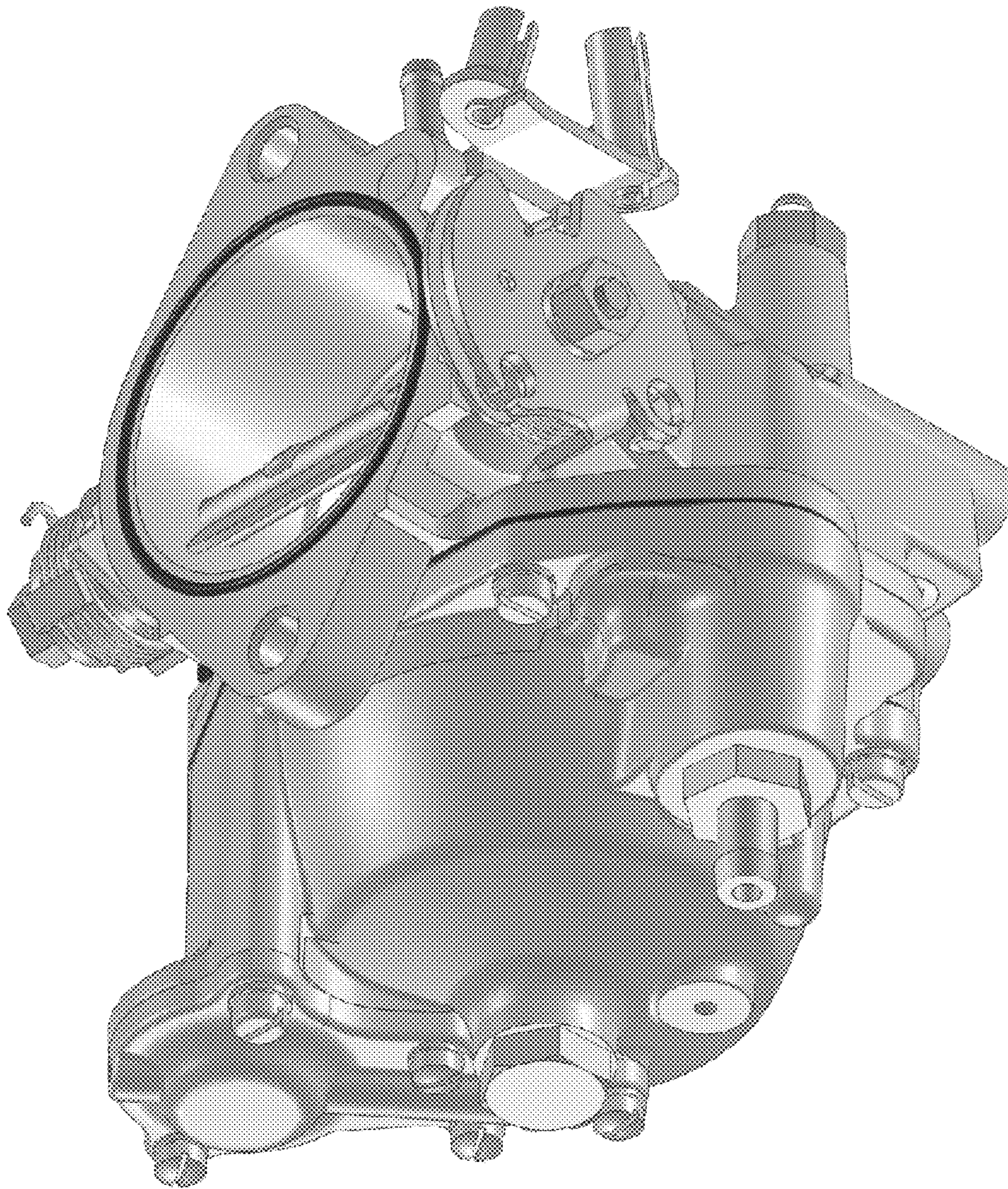


FIG. 13

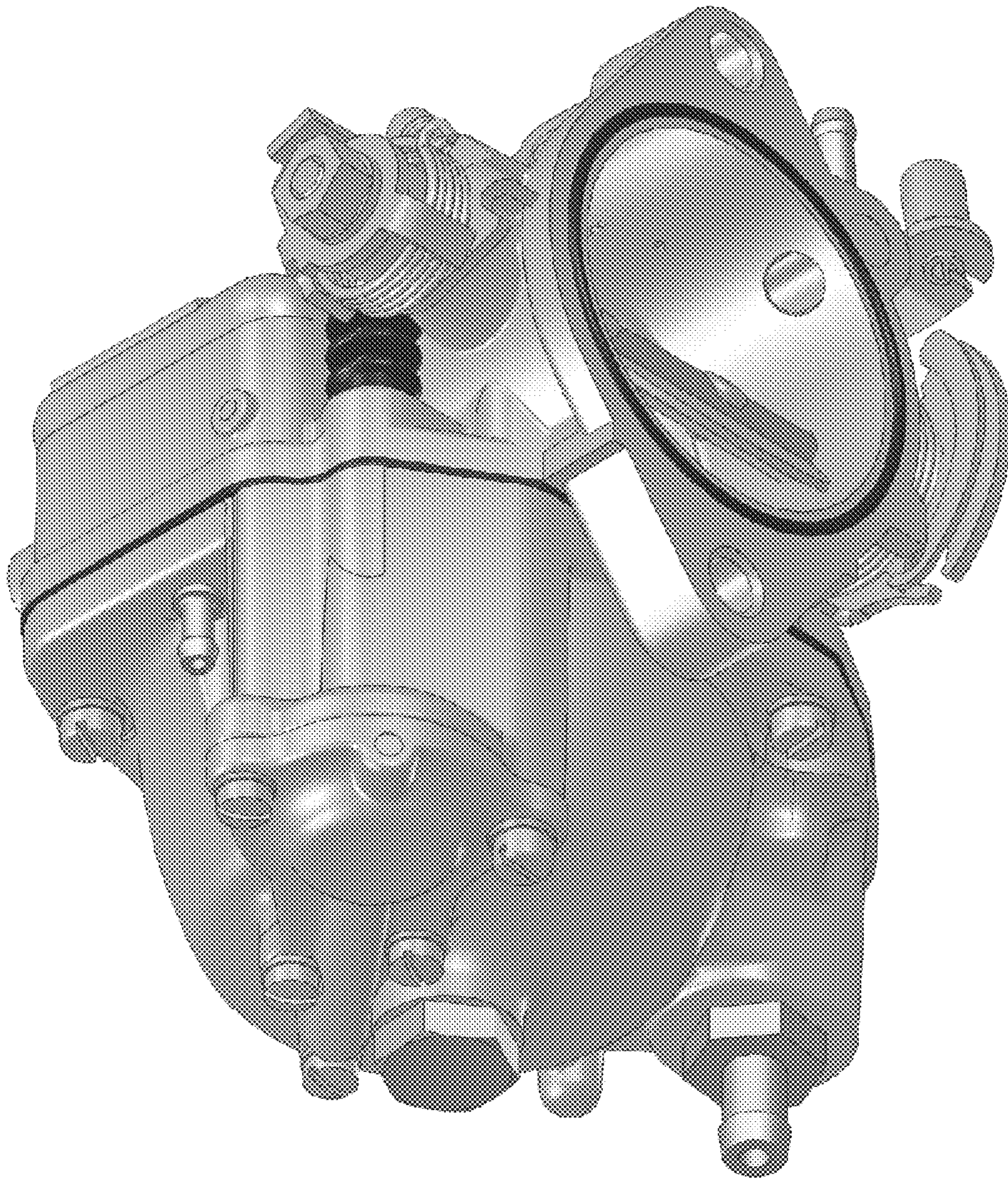
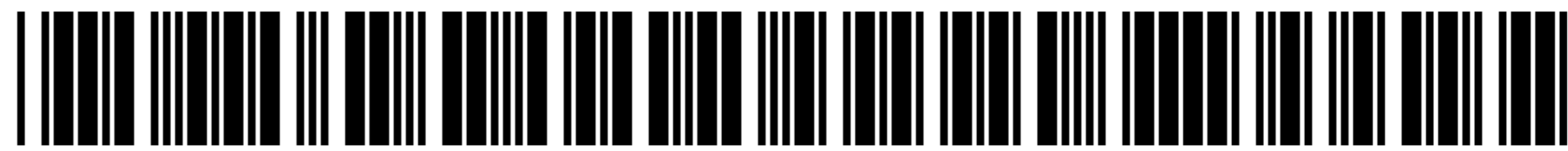


FIG. 14



US00D638857C1

(12) **EX PARTE REEXAMINATION CERTIFICATE** (9899th)
United States Patent
Garrison et al.

(10) **Number:** **US D638,857 C1**
(45) **Certificate Issued:** **Oct. 23, 2013**

(54) **MOTORCYCLE CARBURETOR**
(75) Inventors: **John M. Garrison**, Arnold, MO (US);
Reuben E. Mirabal, St. Louis, MO (US)
(73) Assignee: **Midwest Motorcycle Supply**
Distributors Corp., Pevely, MO (US)

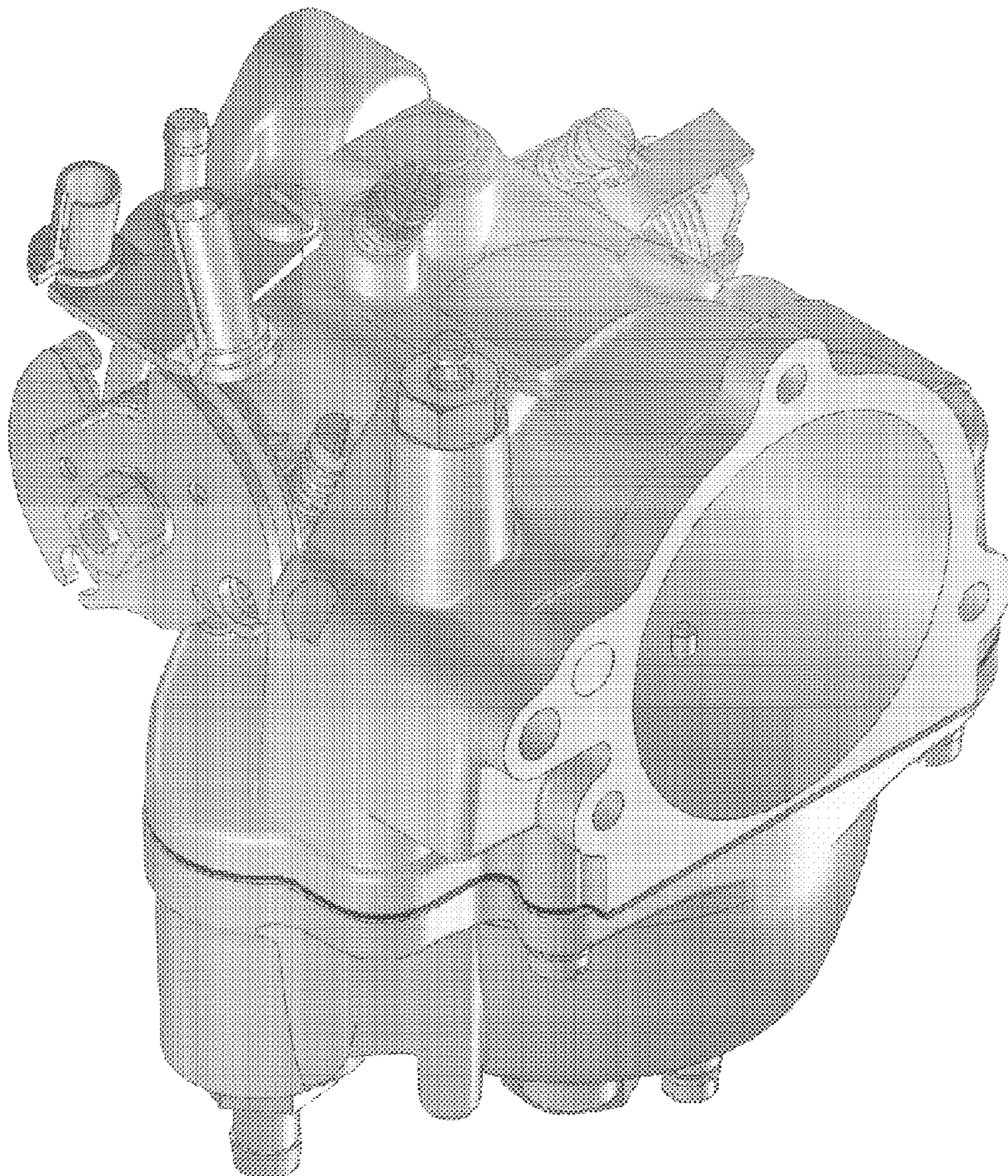
(51) **LOC (9) Cl.** 15-01
(52) **U.S. Cl.**
USPC **D15/6**
(58) **Field of Classification Search**
USPC D15/1-6, 51; 261/18.3, 23.2, 34.2, 19,
261/18.1
See application file for complete search history.

Reexamination Request:
No. 90/012,265, May 1, 2012

(56) **References Cited**

Reexamination Certificate for:
Patent No.: **Des. 638,857**
Issued: **May 31, 2011**
Appl. No.: **29/383,191**
Filed: **Jan. 13, 2011**

To view the complete listing of prior art documents cited during the proceeding for Reexamination Control Number 90/012,265, please refer to the USPTO's public Patent Application Information Retrieval (PAIR) system under the Display References tab.
Primary Examiner — Prabhakar Deshmukh



**EX PARTE
REEXAMINATION CERTIFICATE
ISSUED UNDER 35 U.S.C. 307**

NO AMENDMENTS HAVE BEEN MADE TO
THE PATENT

5

AS A RESULT OF REEXAMINATION, IT HAS BEEN
DETERMINED THAT:

10

The patentability of sole claim is confirmed.

* * * * *