



US00D638855S

(12) **United States Design Patent**  
**Daikoku**

(10) **Patent No.:** **US D638,855 S**

(45) **Date of Patent:** **\*\* May 31, 2011**

(54) **OUTBOARD MOTOR**

(75) **Inventor:** **Keisuke Daikoku**, Hamamatsu (JP)

(73) **Assignee:** **Suzuki Motor Corporation**,  
Shizuoka-Pref (JP)

(\*\*) **Term:** **14 Years**

(21) **Appl. No.:** **29/362,553**

(22) **Filed:** **May 27, 2010**

(30) **Foreign Application Priority Data**

Nov. 27, 2009 (JP) ..... 2009-027683

(51) **LOC (9) Cl.** ..... **15-01**

(52) **U.S. Cl.** ..... **D15/4**

(58) **Field of Classification Search** ..... D15/1-5,  
D15/149; 123/195 P; 440/3-4, 88 R, 52;  
D12/317, 181

See application file for complete search history.

(56) **References Cited**

U.S. PATENT DOCUMENTS

D198,552 S \* 6/1964 Kiekhaefer et al. .... D15/4

D266,516 S \* 10/1982 Kiekhaefer ..... D15/4

\* cited by examiner

*Primary Examiner* — T. Chase Nelson

*Assistant Examiner* — Ania Dworzecka

(74) *Attorney, Agent, or Firm* — Lando & Anastasi, LLP

(57) **CLAIM**

The ornamental design for an outboard motor, as shown.

**DESCRIPTION**

FIG. 1 is a front elevational view of the outboard motor according to my new design.

FIG. 2 is a rear elevational view.

FIG. 3 is a top plan view.

FIG. 4 is a bottom plan view.

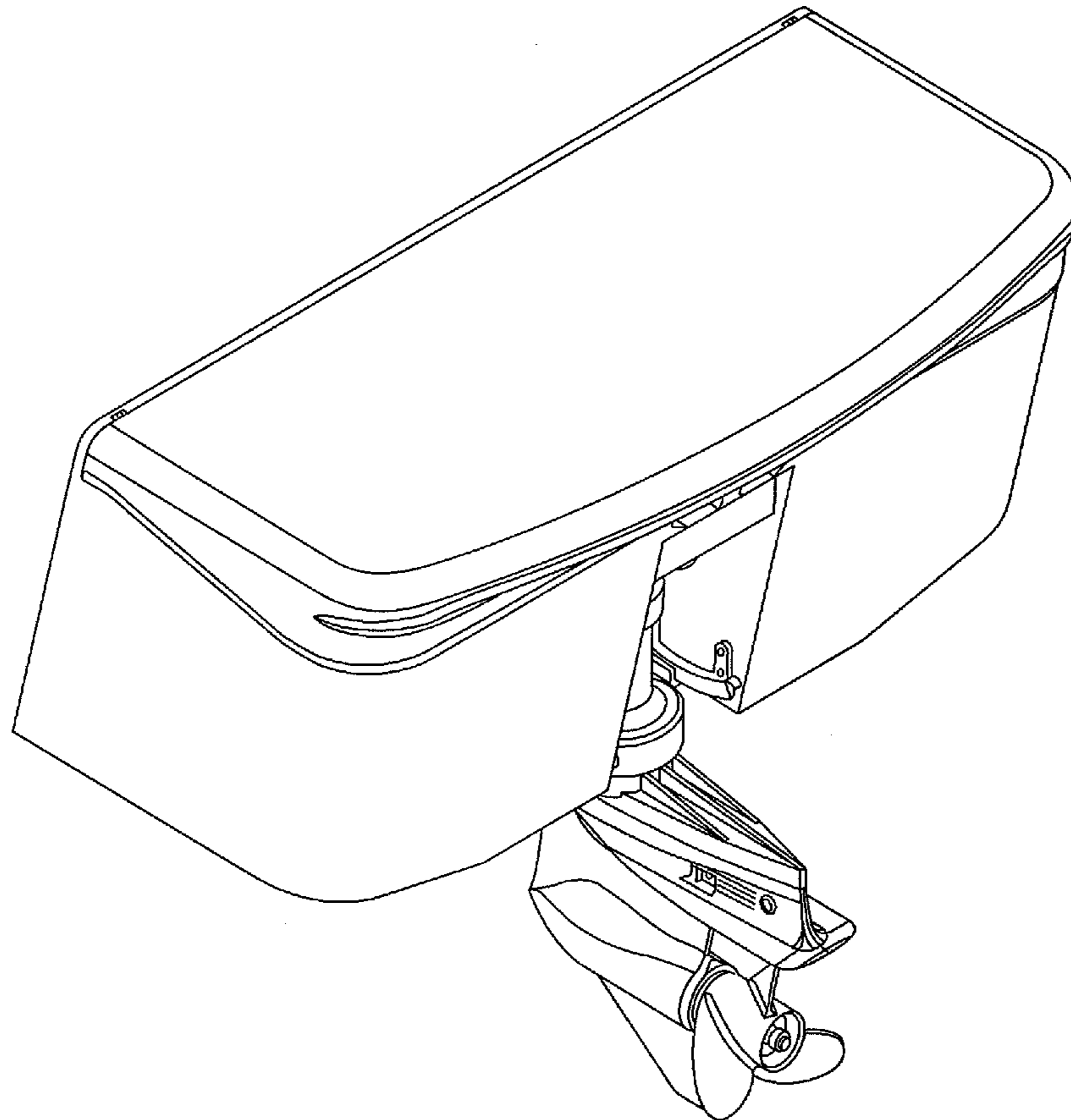
FIG. 5 is a right side elevational view.

FIG. 6 is a left side plan view; and,

FIG. 7 is a perspective view of the outboard motor as seen from the front left corner thereof.

The portions of the outboard motor shown in broken lines form no part of the claimed design.

**1 Claim, 7 Drawing Sheets**



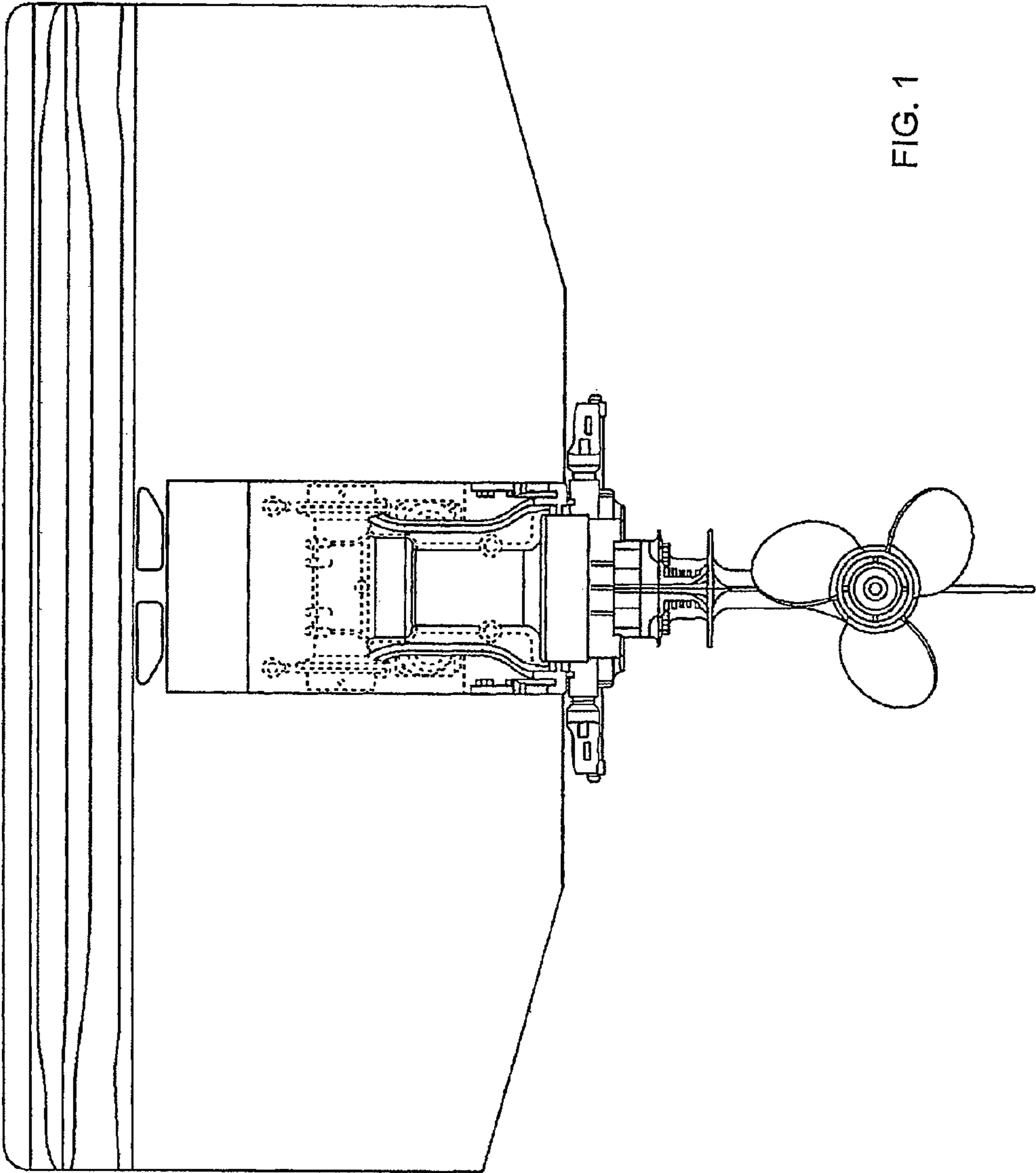


FIG. 1

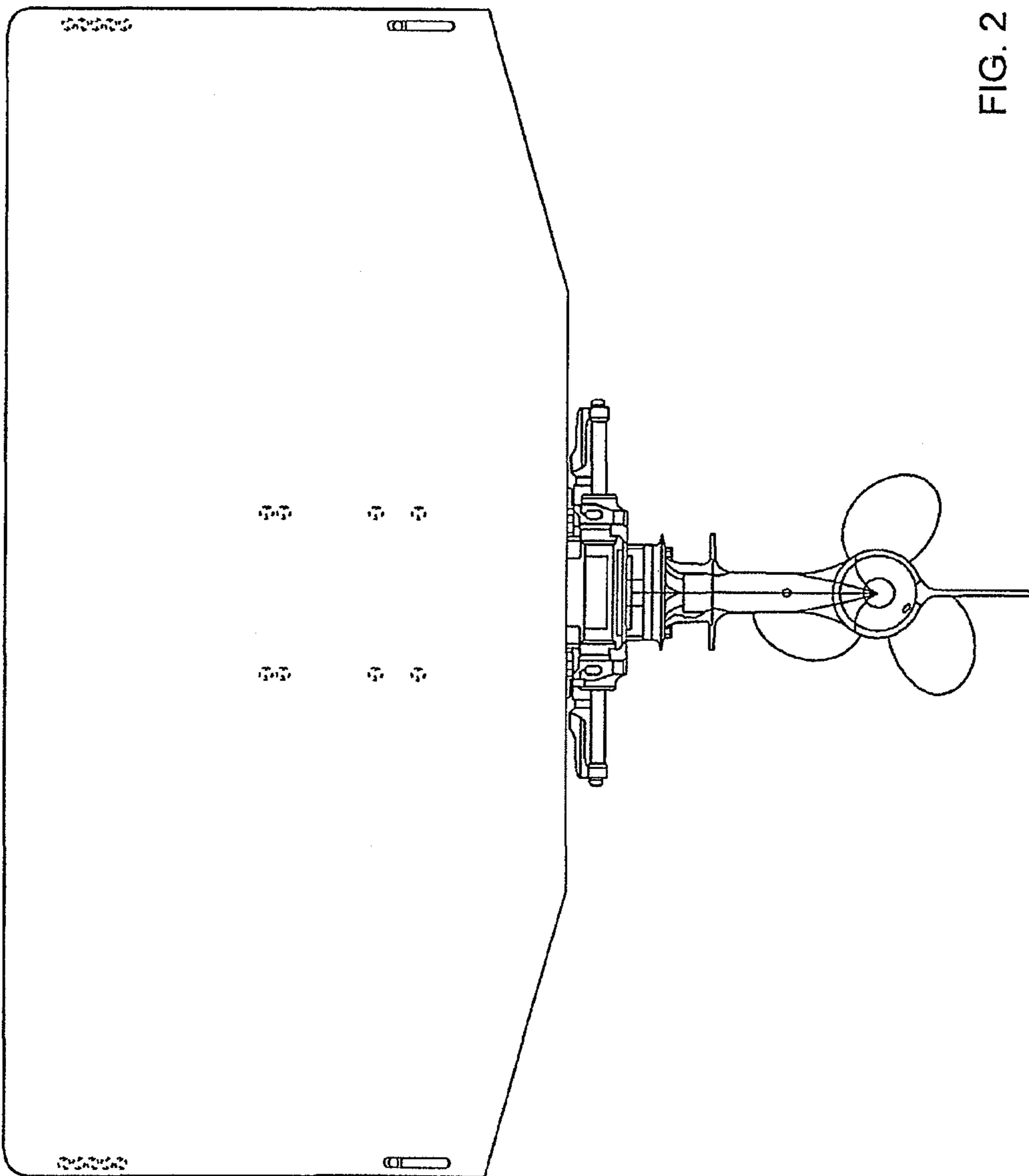


FIG. 2

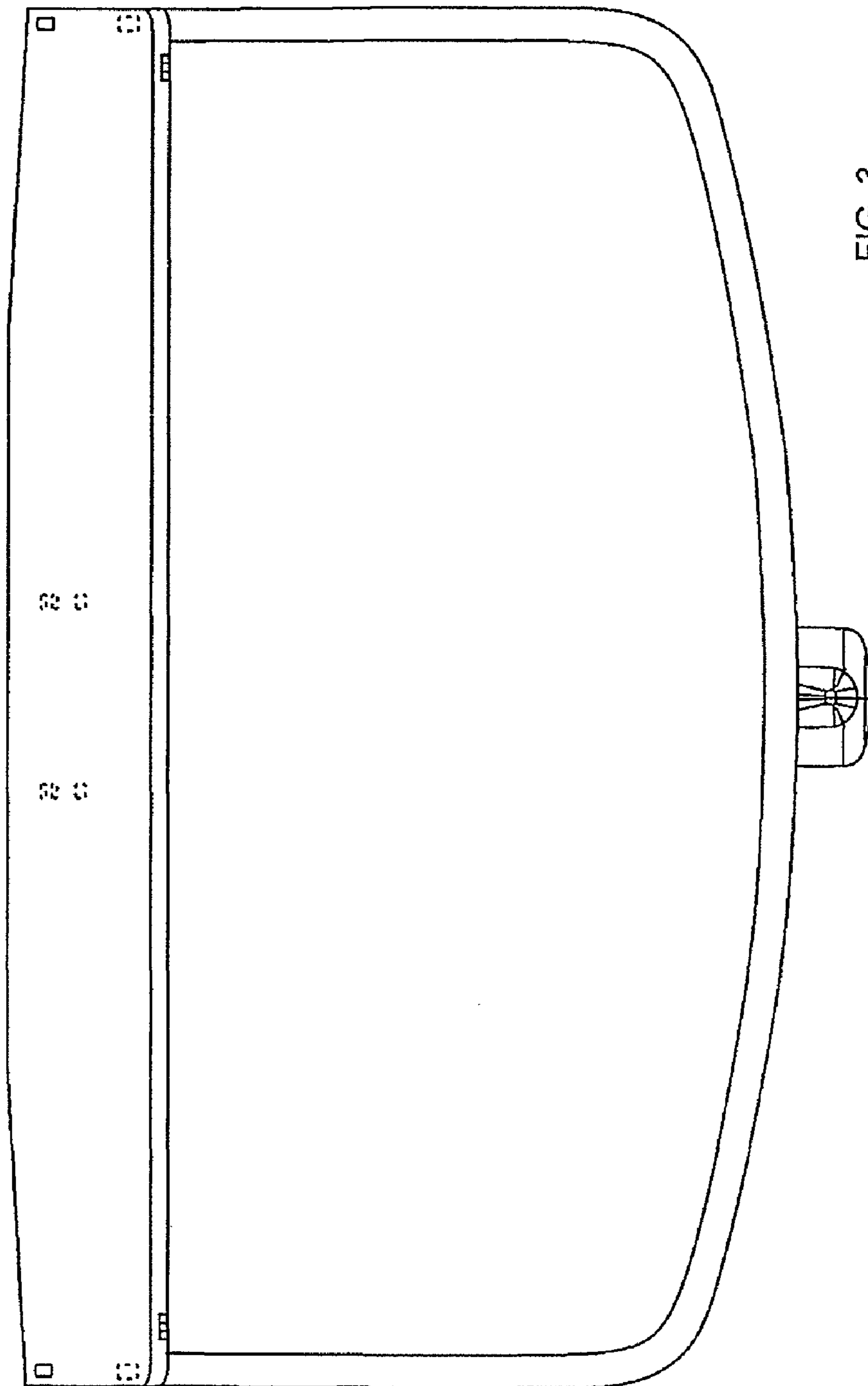


FIG. 3

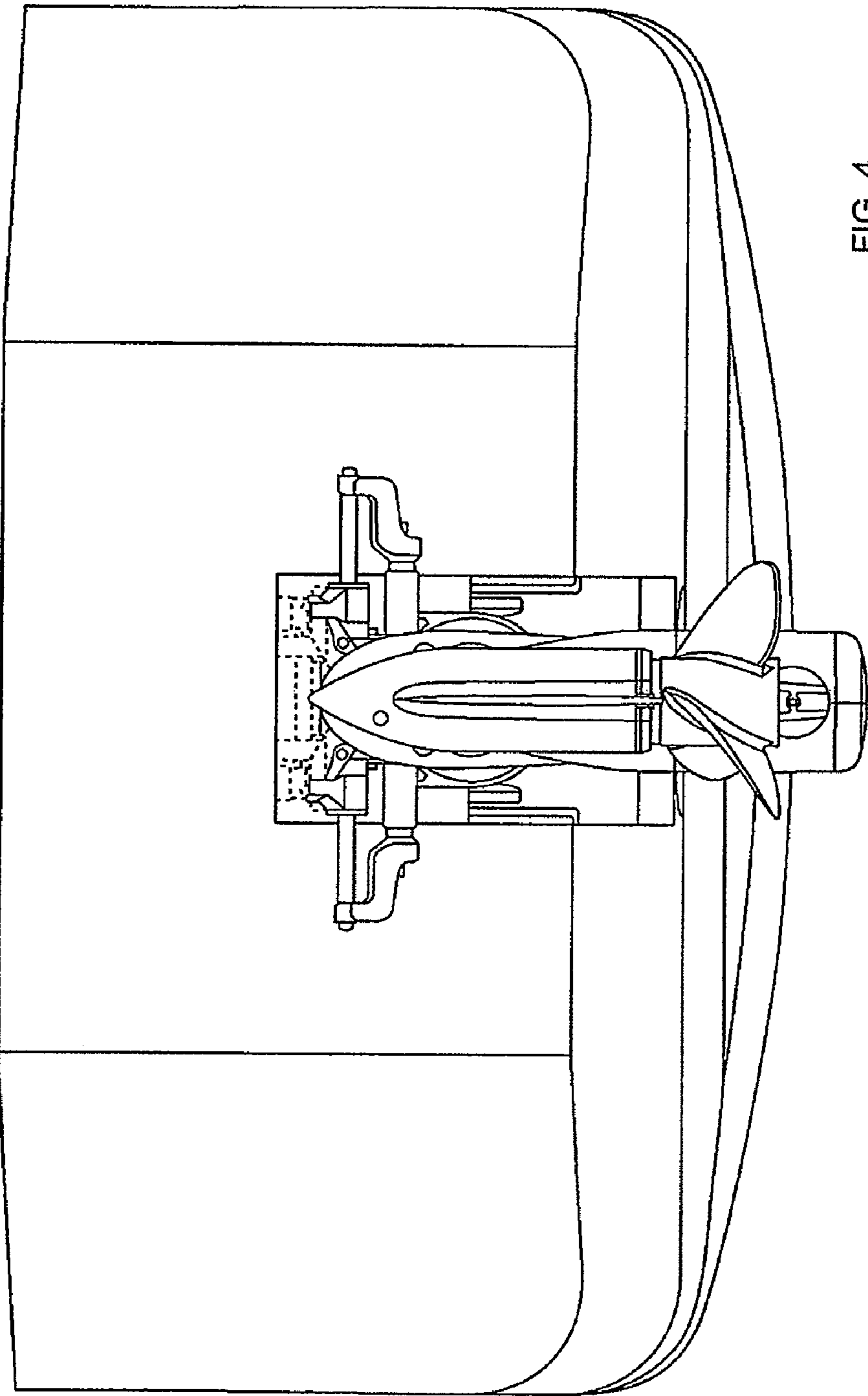
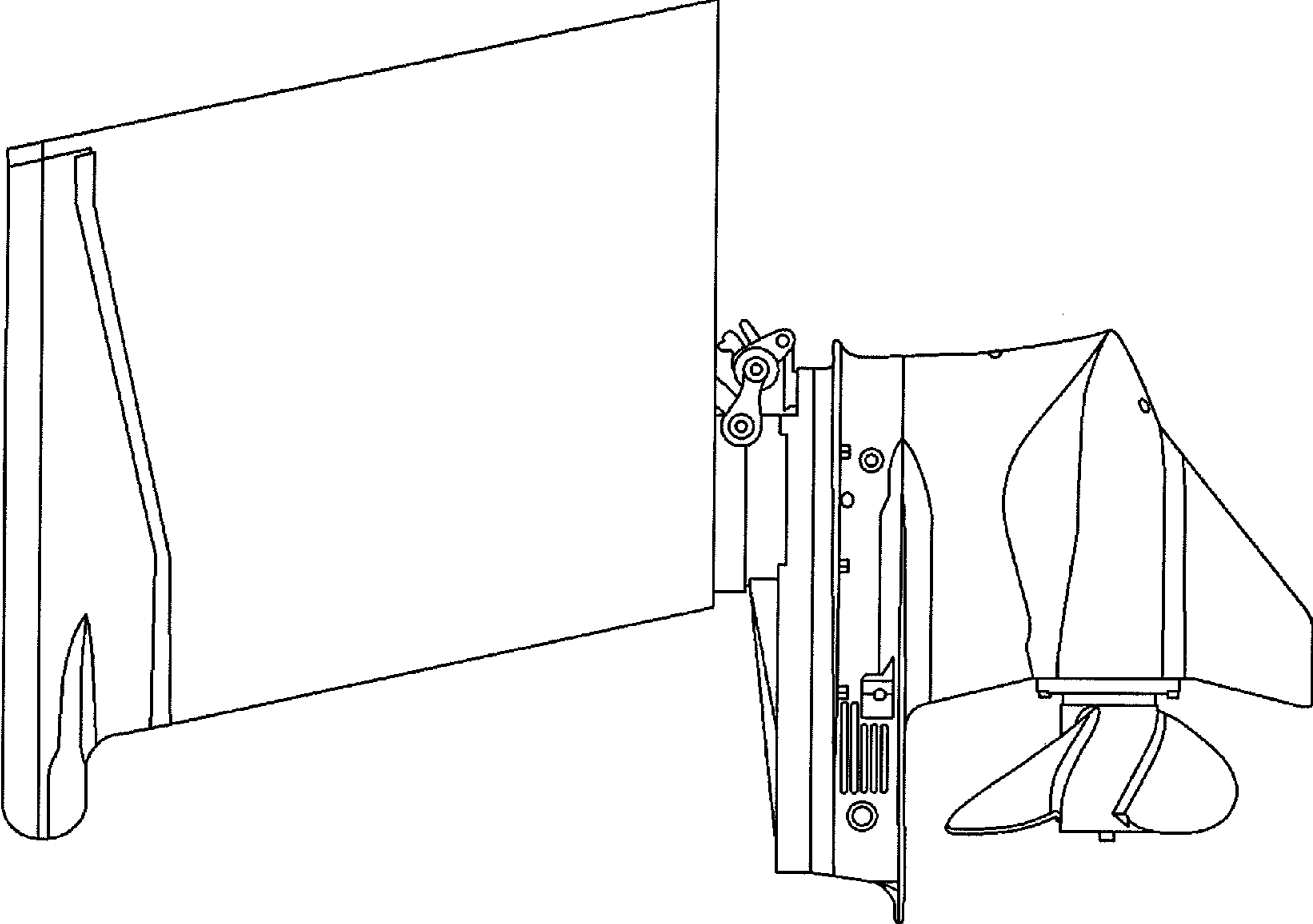


FIG. 4

FIG. 5



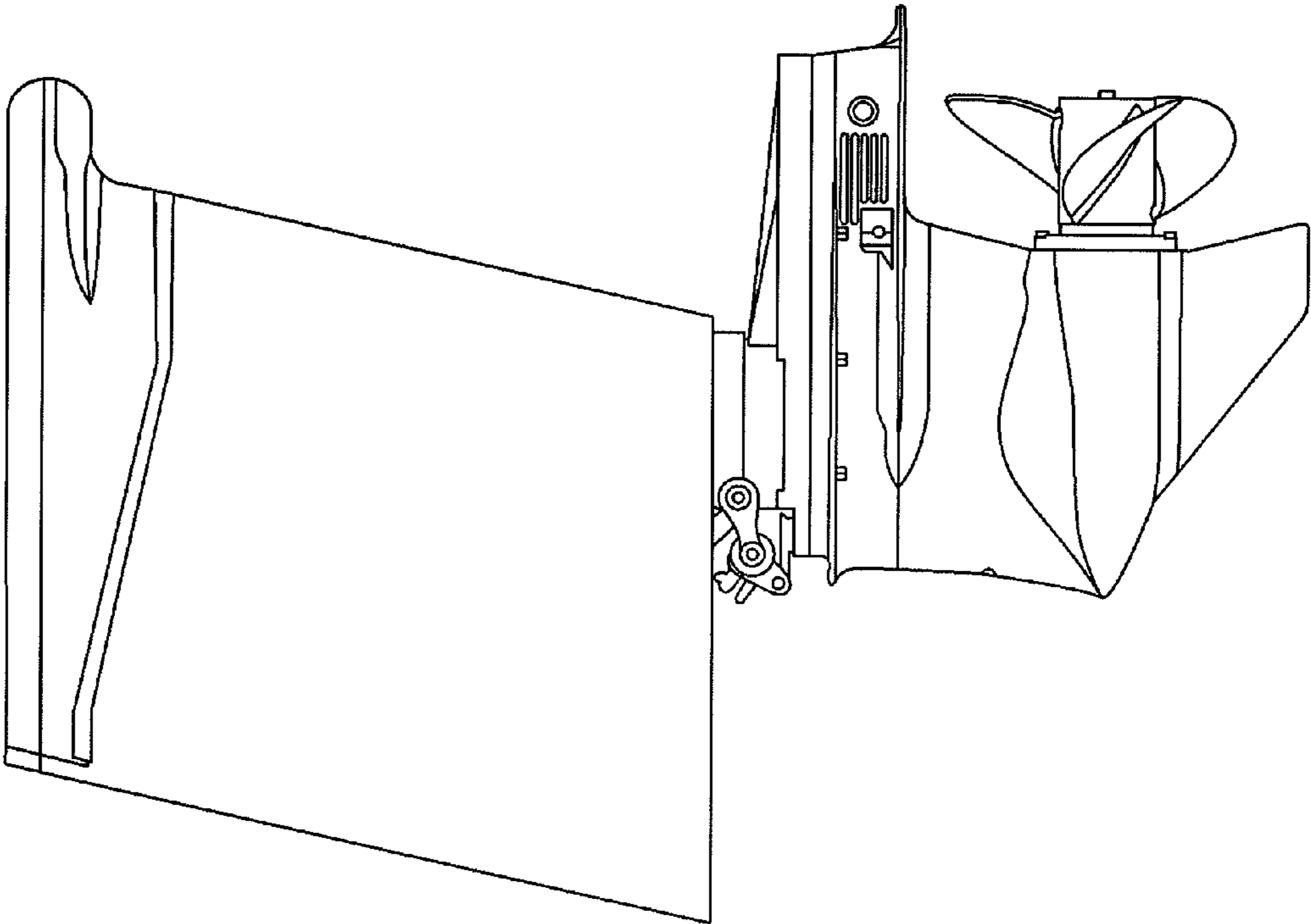


FIG. 6

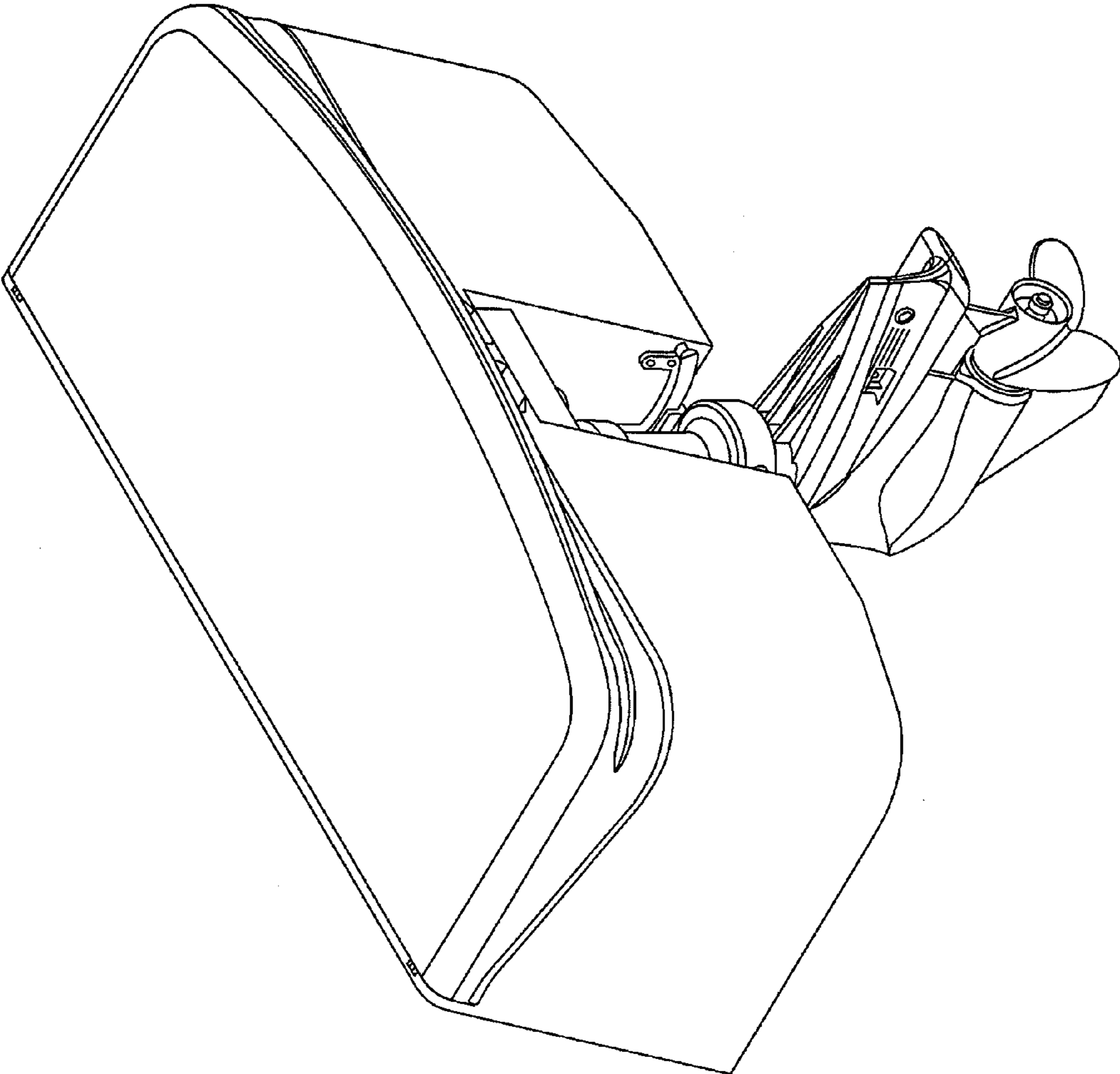


FIG. 7