



US00D638840S

(12) **United States Design Patent**  
**Kamata et al.**

(10) **Patent No.:** **US D638,840 S**

(45) **Date of Patent:** **\*\* May 31, 2011**

(54) **STYLUS PEN CAPABLE OF EXPANSION AND CONTRACTION**

(75) Inventors: **Hideaki Kamata**, Kyoto (JP); **Tetsuya Akama**, Kyoto (JP)

(73) Assignee: **Nintendo Co., Ltd.**, Kyoto (JP)

(\*\*) Term: **14 Years**

(21) Appl. No.: **29/380,745**

(22) Filed: **Dec. 10, 2010**

(30) **Foreign Application Priority Data**

Jun. 11, 2010 (JP) ..... 2010-014453

(51) **LOC (9) Cl.** ..... **14-02**

(52) **U.S. Cl.** ..... **D14/411**

(58) **Field of Classification Search** ..... D8/61;  
D14/411; D19/35, 36, 41-51, 54-58; 401/55,  
401/99, 100, 104-107, 196, 197, 202, 208,  
401/209, 213, 192, 195, 243; 708/107; 345/179,  
345/173; 178/19.01; 700/94  
See application file for complete search history.

(56) **References Cited**

**U.S. PATENT DOCUMENTS**

D320,787 S *	10/1991	Valls et al.	.....	D14/411
D395,875 S *	7/1998	Aiken et al.	.....	D14/411
D443,300 S *	6/2001	Kim et al.	.....	D19/36
D461,499 S *	8/2002	Boyle et al.	.....	D19/36
D501,505 S *	2/2005	Chien	.....	D19/36
D530,372 S	10/2006	Sugino et al.		
D568,394 S	5/2008	Maruyama		
D588,638 S *	3/2009	Busri	.....	D19/36
D596,668 S	7/2009	Ehara et al.		

D611,476 S *	3/2010	Busri	.....	D14/411
D623,650 S	9/2010	Ishibashi et al.		
D630,219 S	1/2011	Fujino et al.		
D630,220 S	1/2011	Zenri et al.		
2008/0170048 A1 *	7/2008	Hua	.....	345/179

\* cited by examiner

*Primary Examiner* — Austin Murphy

(74) *Attorney, Agent, or Firm* — Nixon & Vanderhye, P.C.

(57) **CLAIM**

The ornamental design for a stylus pen capable of expansion and contraction, as shown and described.

**DESCRIPTION**

FIG. 1 is a front, right and top perspective view of a stylus pen capable of expansion and contraction showing our new design in an expanded state;  
 FIG. 2 is a rear, left and bottom perspective view thereof;  
 FIG. 3 is a front view thereof;  
 FIG. 4 is a rear view thereof;  
 FIG. 5 is a top plan view thereof;  
 FIG. 6 is a bottom plan view thereof;  
 FIG. 7 is a left side view thereof;  
 FIG. 8 is a right side thereof;  
 FIG. 9 is a front, right and top perspective view of the stylus pen capable of expansion and contraction in a contracted state;  
 FIG. 10 is a rear, left and bottom perspective view thereof;  
 FIG. 11 is a front view thereof;  
 FIG. 12 is a rear view thereof;  
 FIG. 13 is a top plan view thereof;  
 FIG. 14 is a bottom plan view thereof;  
 FIG. 15 is a left side view thereof; and,  
 FIG. 16 is a right side thereof.

**1 Claim, 4 Drawing Sheets**

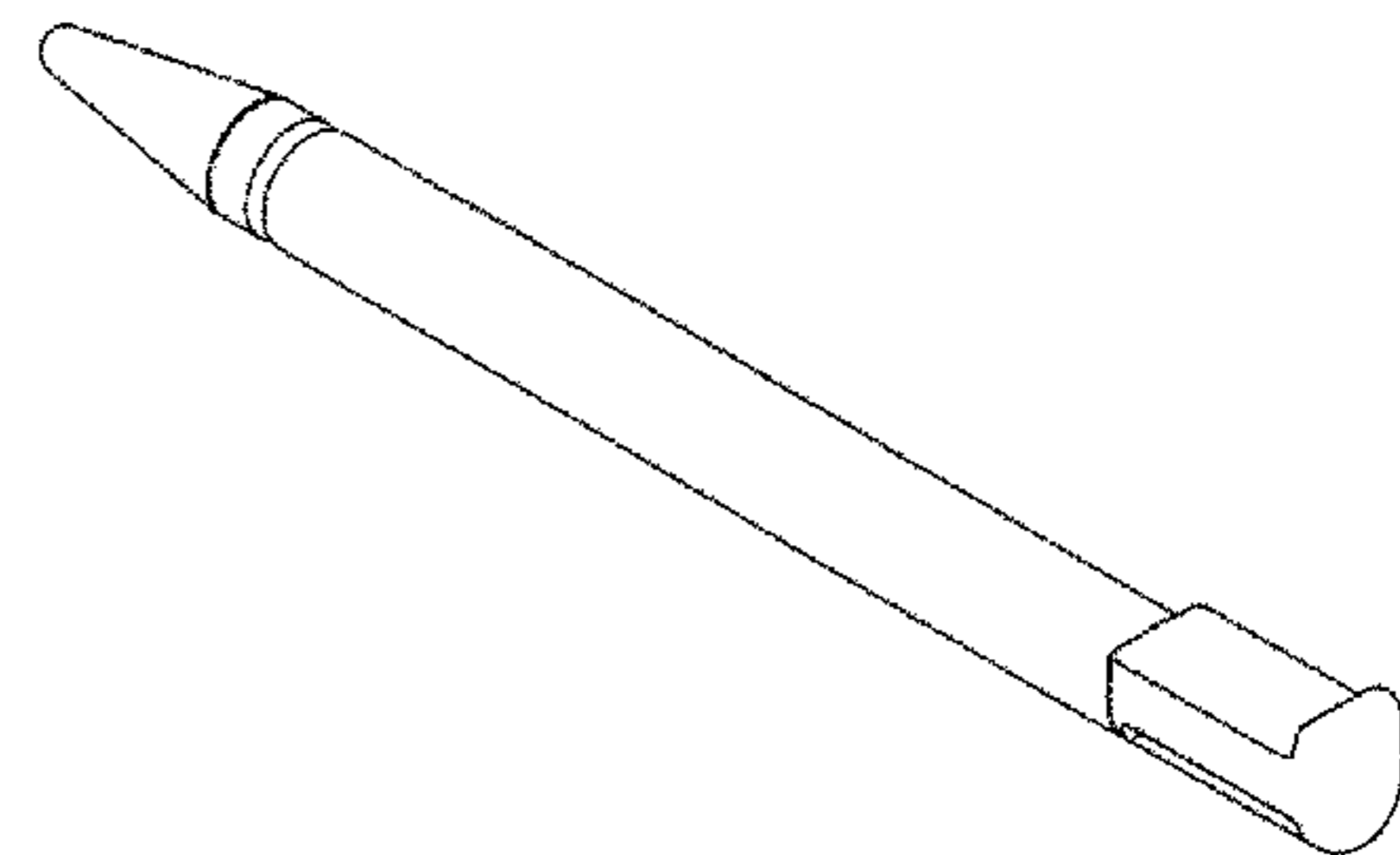
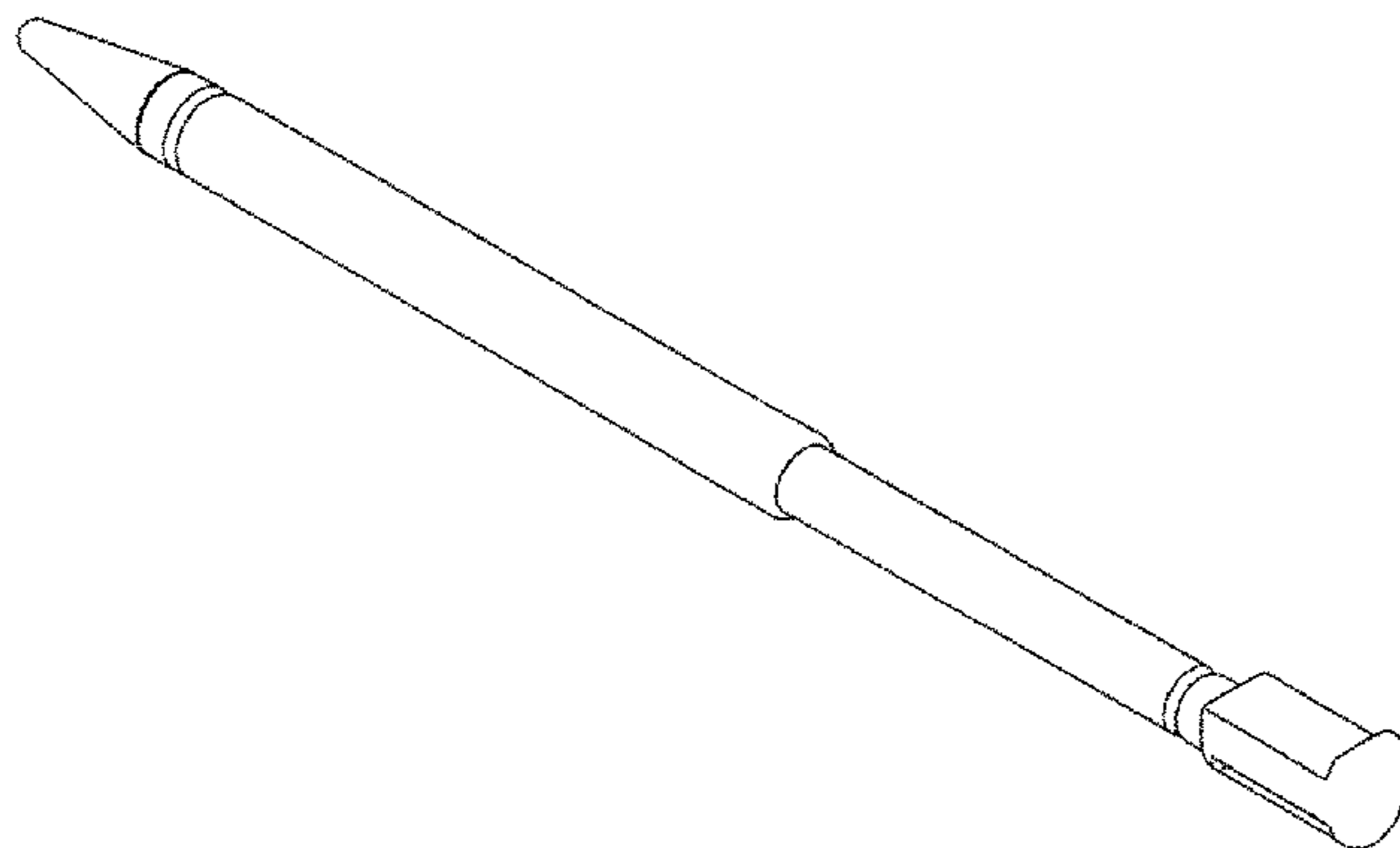


FIG. 1

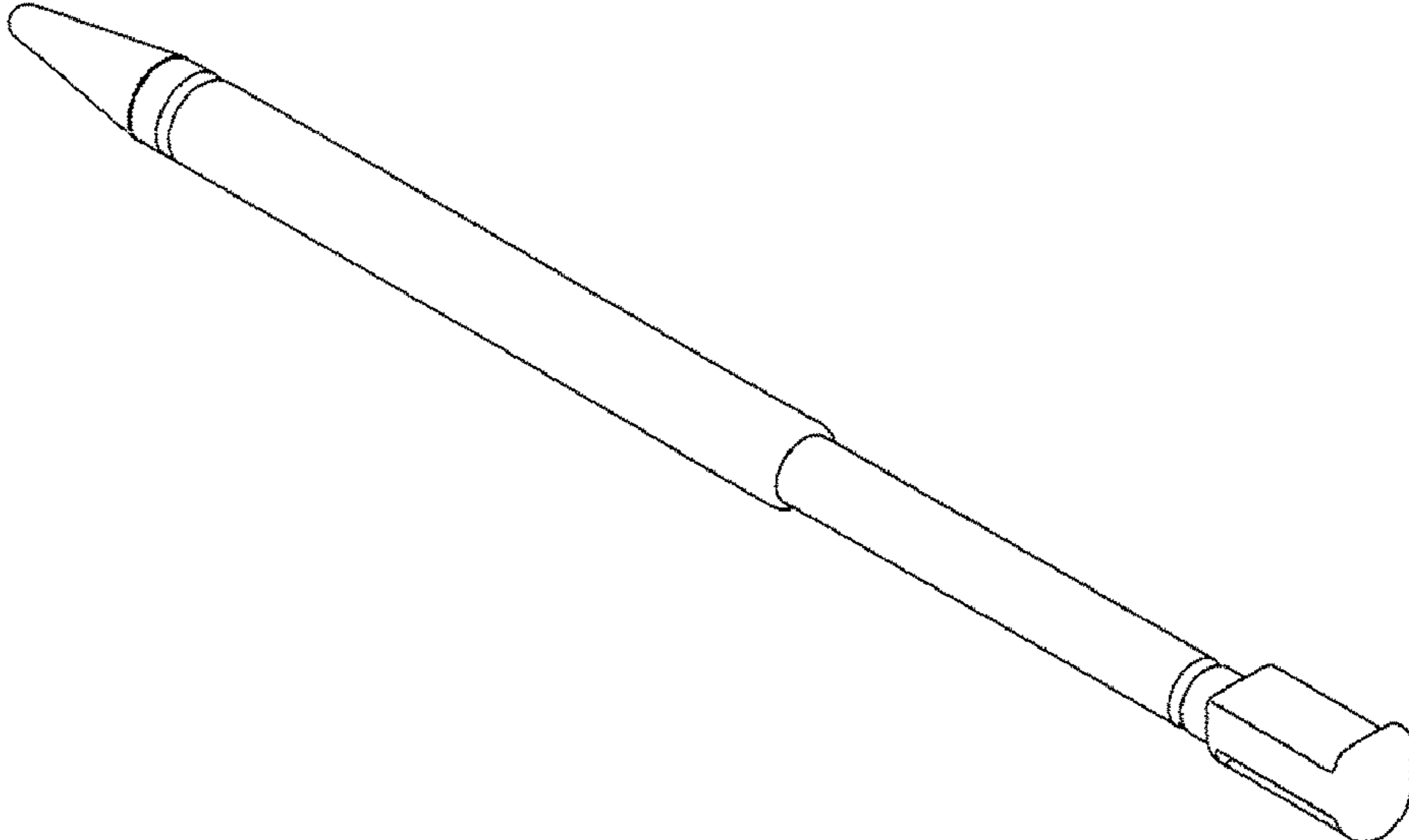


FIG. 2

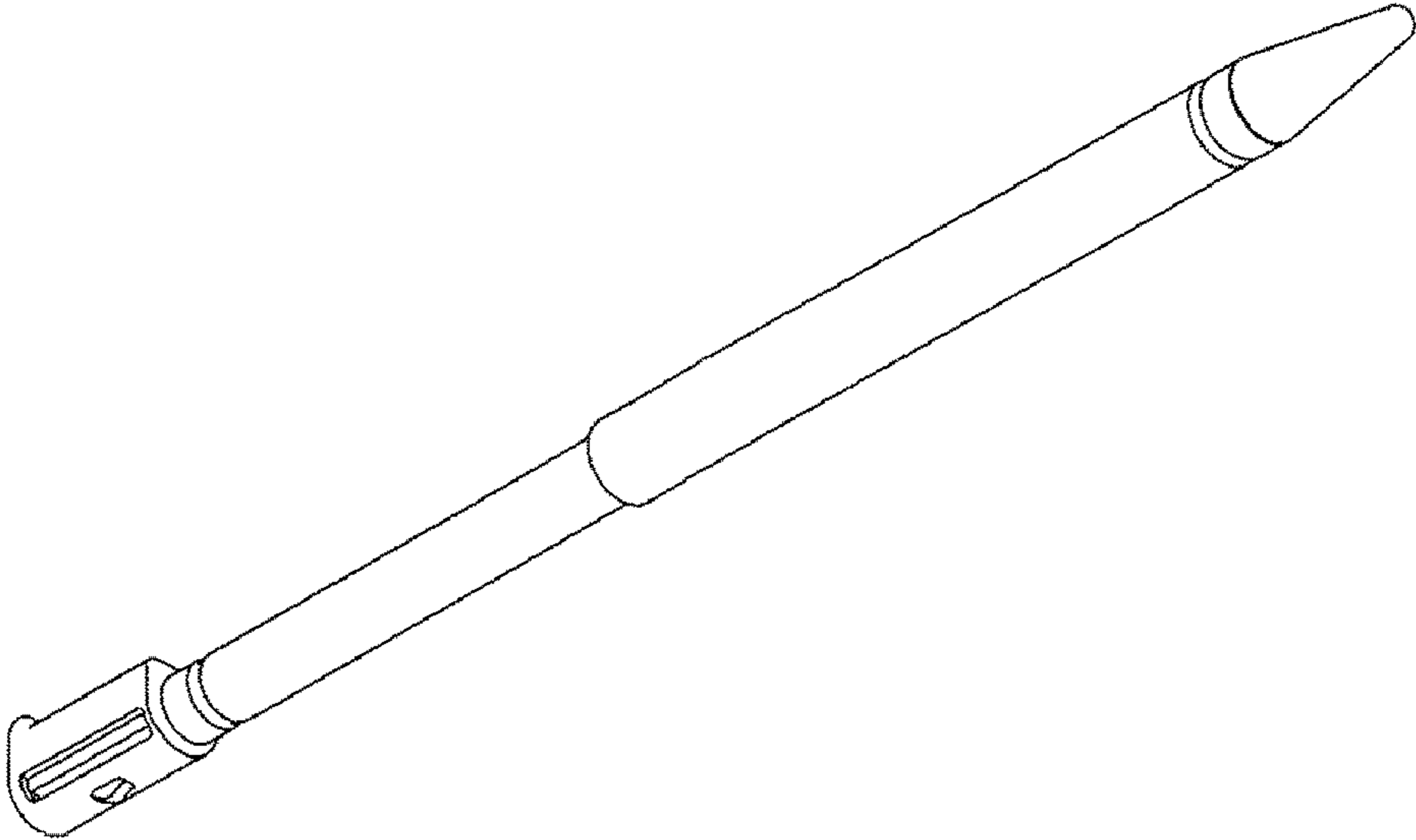


FIG. 3

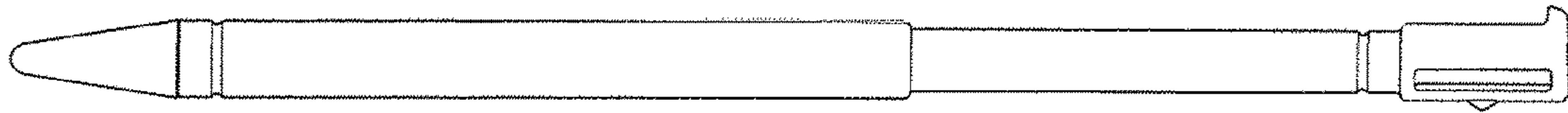


FIG. 4

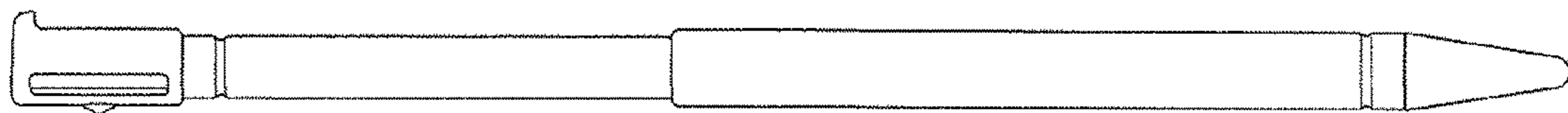


FIG. 5



FIG. 6

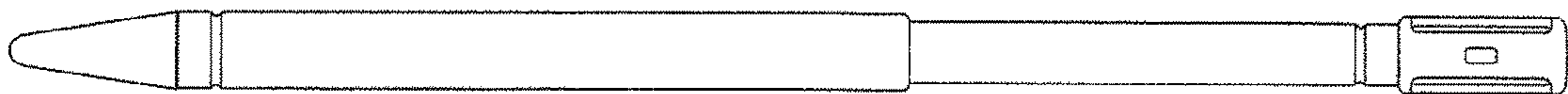


FIG. 7

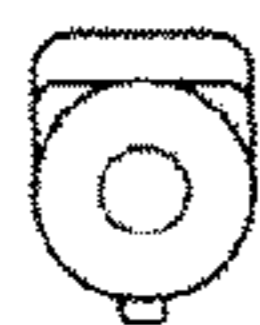


FIG. 8



FIG. 9

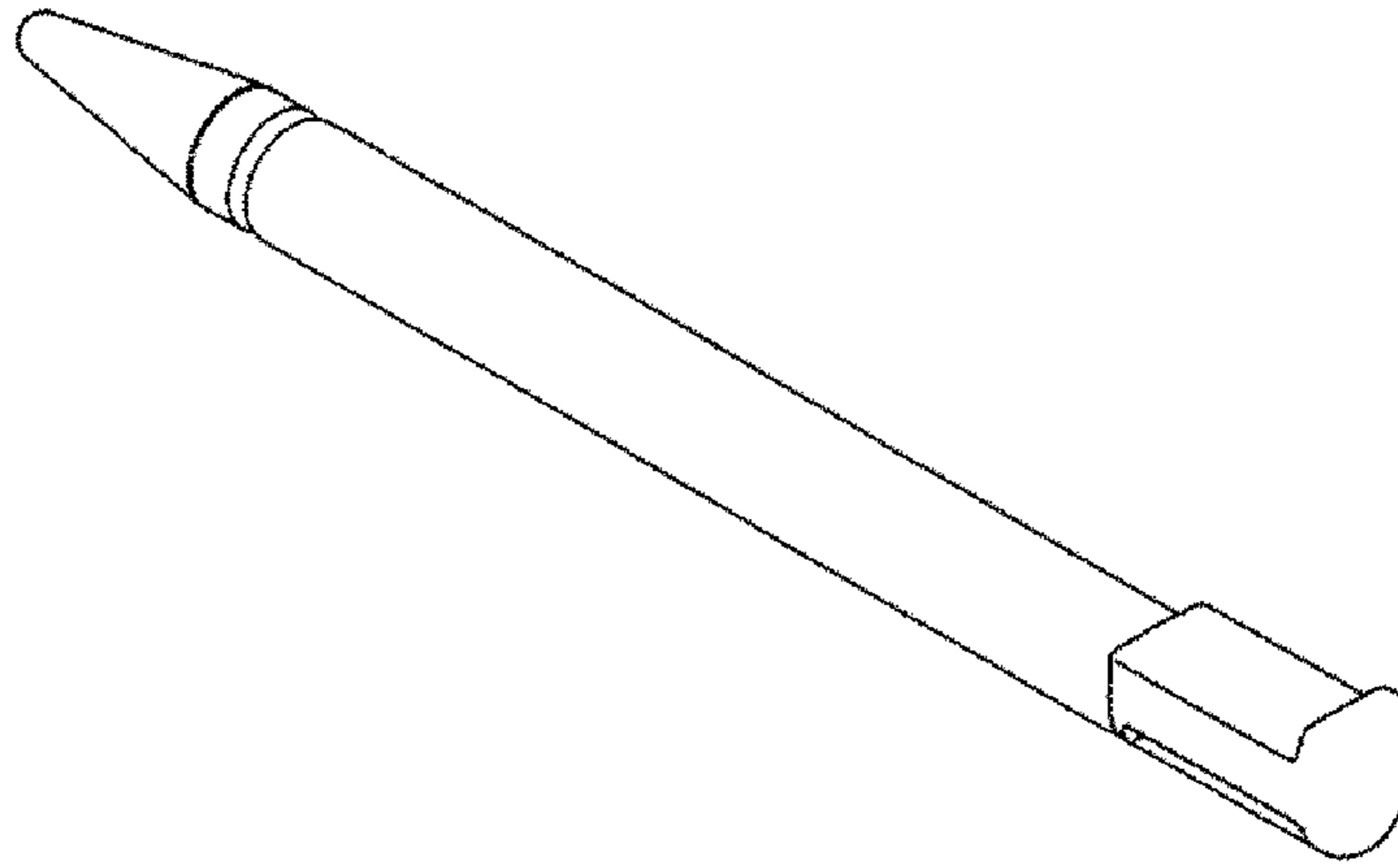


FIG. 10

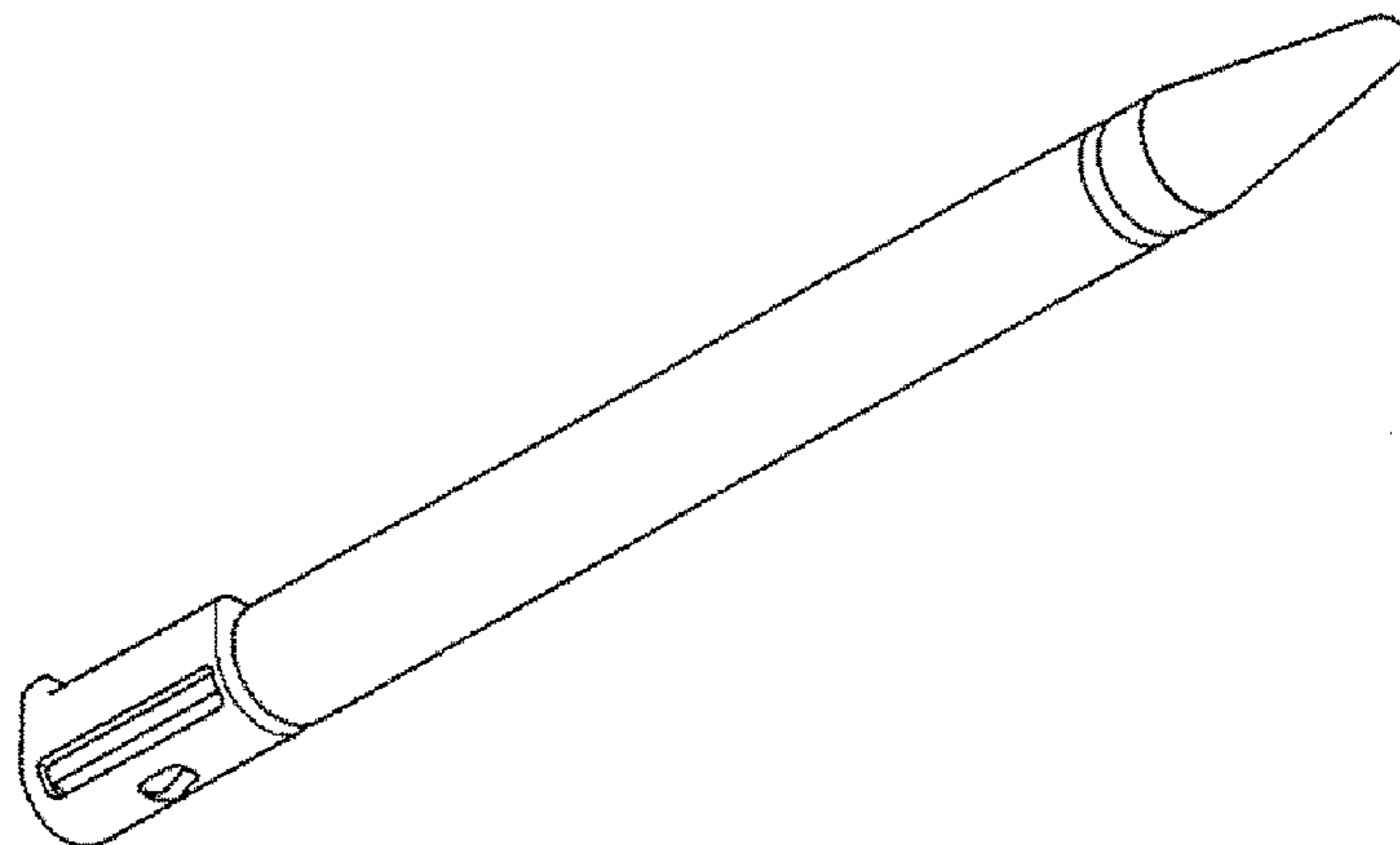


FIG. 11

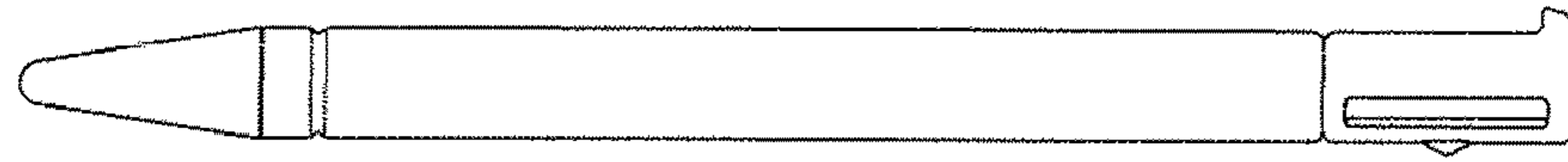


FIG. 12

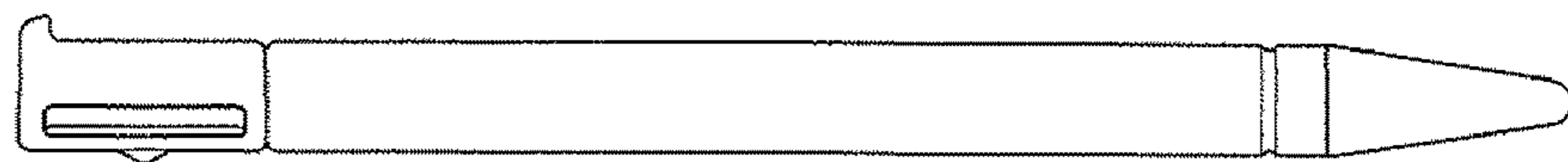


FIG. 13



FIG. 14



FIG. 15

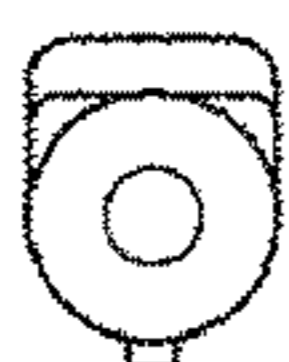


FIG. 16

