



US00D638837S

(12) **United States Design Patent**
Tzeng

(10) **Patent No.:** **US D638,837 S**

(45) **Date of Patent:** **** May 31, 2011**

(54) **WIRELESS MOUSE**

(75) Inventor: **Guan-Hua Tzeng**, Tu-Cheng (TW)

(73) Assignee: **Cheng Uei Precision Industry Co., Ltd.**, Tu-Cheng, Taipei Hsien (TW)

(**) Term: **14 Years**

(21) Appl. No.: **29/378,724**

(22) Filed: **Nov. 8, 2010**

(51) **LOC (9) Cl.** **14-02**

(52) **U.S. Cl.** **D14/402**

(58) **Field of Classification Search** D14/402-411,
D14/356, 388, 389, 383-385, 417, 426;
345/156-167; 463/36-38; 358/471, 473
See application file for complete search history.

D513,004 S *	12/2005	Chen	D14/408
D528,118 S *	9/2006	Canavan et al.	D14/407
D552,092 S *	10/2007	Fisher et al.	D14/402
D580,938 S *	11/2008	Simonian et al.	D14/402
D589,513 S *	3/2009	Chatterjee et al.	D14/402
D591,748 S *	5/2009	Hu et al.	D14/402
D595,296 S *	6/2009	Chatterjee et al.	D14/402
D596,179 S *	7/2009	Bolotin et al.	D14/402
D607,454 S *	1/2010	Reed et al.	D14/408
D607,456 S *	1/2010	Reed et al.	D14/408
D617,324 S *	6/2010	Fang et al.	D14/402

* cited by examiner

Primary Examiner — Austin Murphy

(74) *Attorney, Agent, or Firm* — Cheng-Ju Chiang

(57) **CLAIM**

The ornamental design for a wireless mouse, as shown and described.

(56) **References Cited**

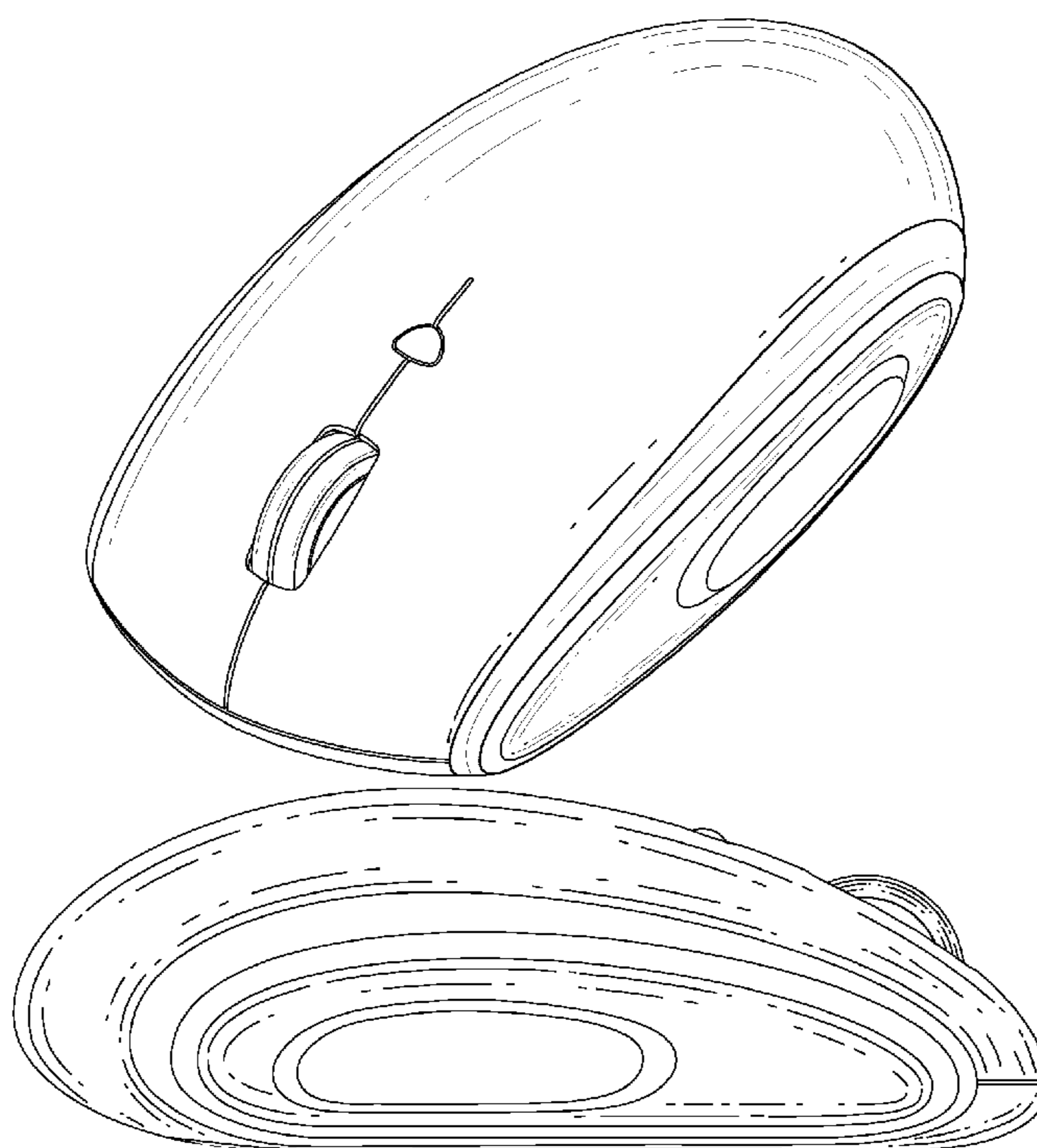
U.S. PATENT DOCUMENTS

D431,567 S *	10/2000	You	D14/408
D437,852 S *	2/2001	Ledbetter et al.	D14/402
D439,252 S *	3/2001	Ledbetter et al.	D14/402
D460,071 S *	7/2002	Sheehan et al.	D14/402
D460,072 S *	7/2002	Sheehan	D14/408
D464,652 S *	10/2002	Roh	D14/408
D467,925 S *	12/2002	Hu et al.	D14/408
D471,198 S *	3/2003	Guo et al.	D14/402
D474,769 S *	5/2003	Fisher et al.	D14/408
D479,529 S *	9/2003	Sheehan et al.	D14/408
D481,391 S *	10/2003	Lee et al.	D14/408
6,650,316 B2 *	11/2003	Su	345/163
D483,764 S *	12/2003	Masamitsu et al.	D14/407
D494,972 S *	8/2004	Chen	D14/402
D504,133 S *	4/2005	Canavan et al.	D14/402

DESCRIPTION

FIG. 1 is a perspective view of a wireless mouse showing my new design;
FIG. 2 is a front elevational view thereof;
FIG. 3 is a rear elevational view thereof;
FIG. 4 is a left side elevational view thereof;
FIG. 5 is a right side elevational view thereof;
FIG. 6 is a top plan view thereof; and,
FIG. 7 is a bottom plan view thereof.
The broken line portion of the figure drawings is included to show unclaimed subject matter only and forms no part of the claimed design.

1 Claim, 7 Drawing Sheets



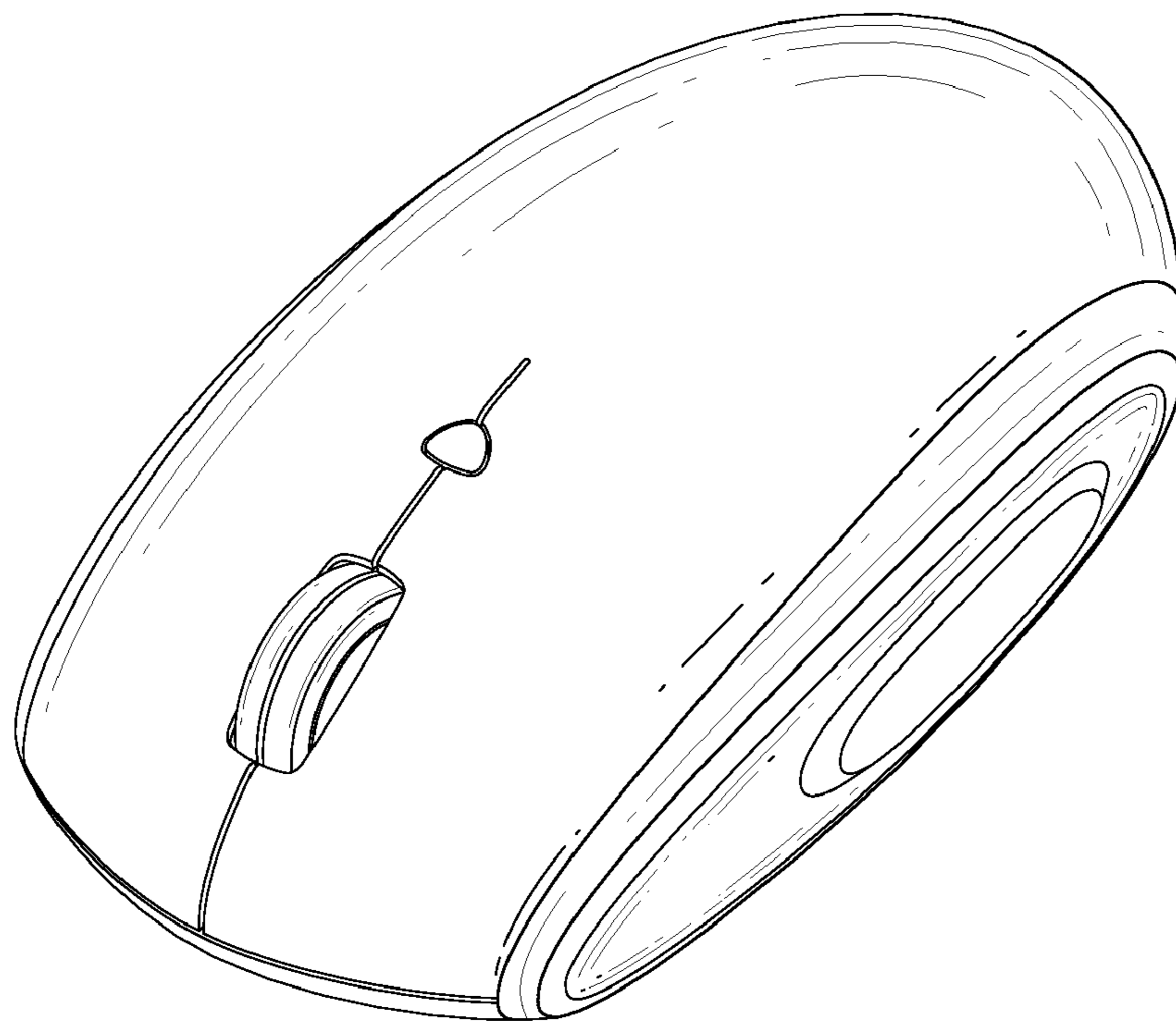


FIG. 1

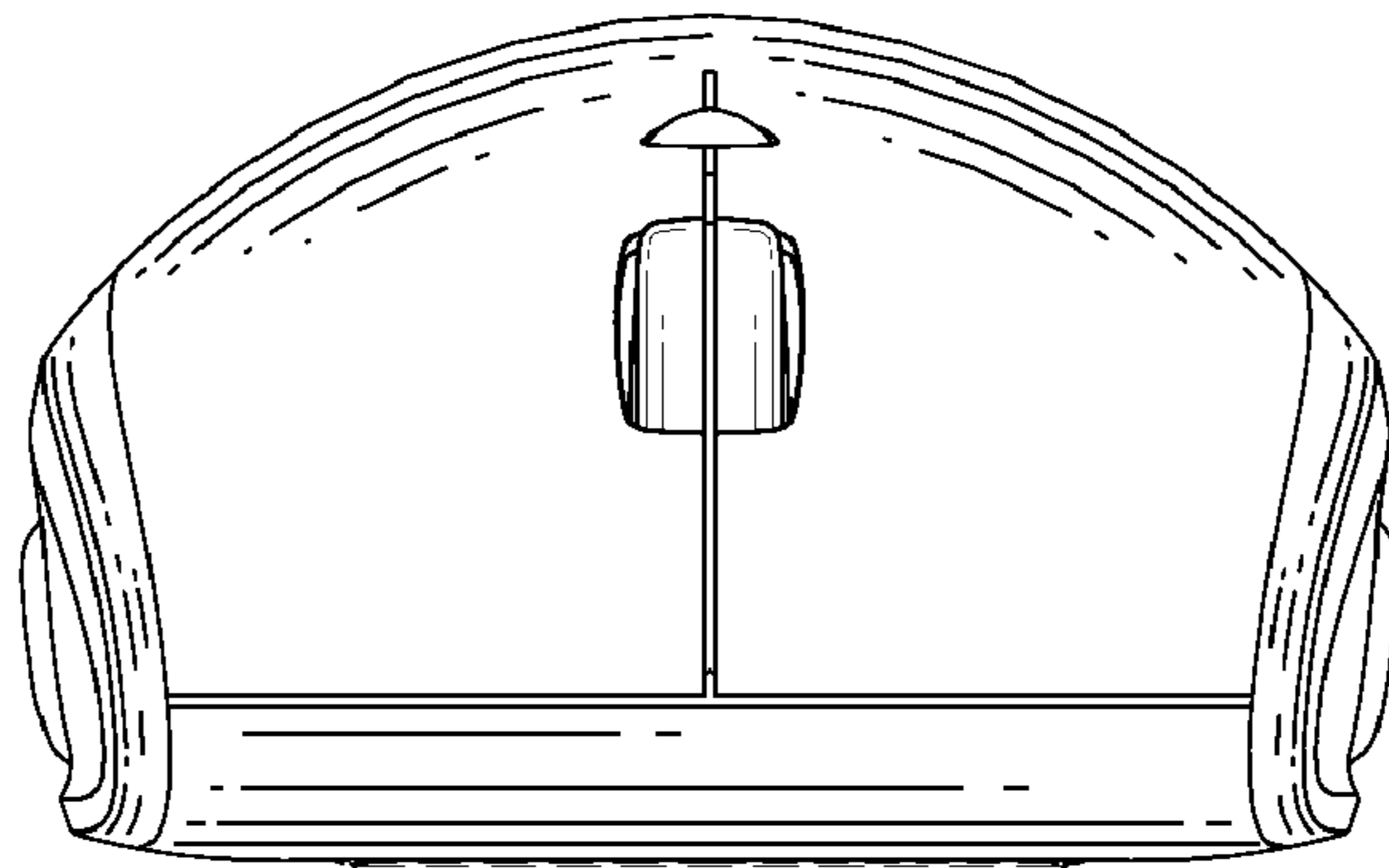


FIG. 2

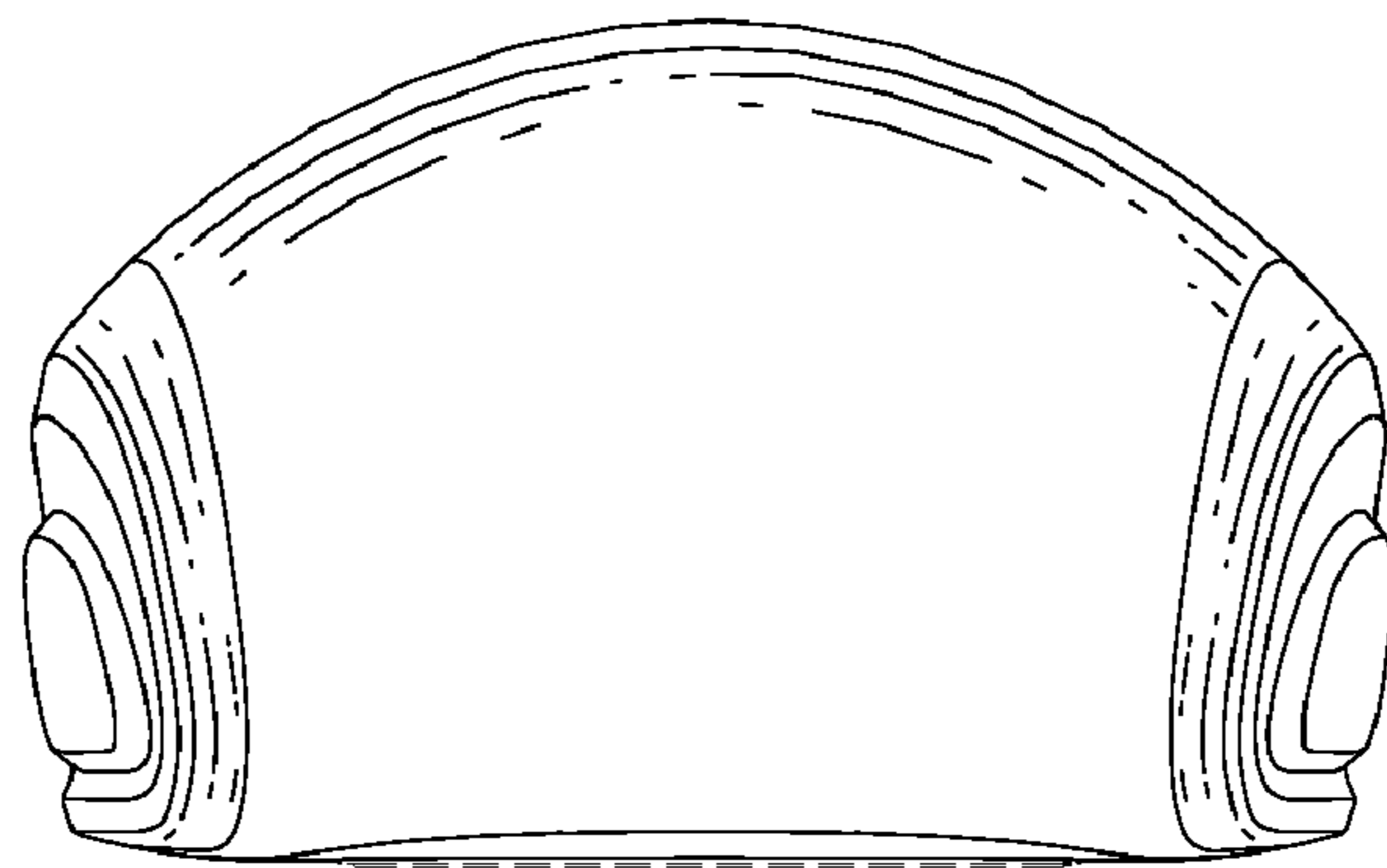


FIG. 3

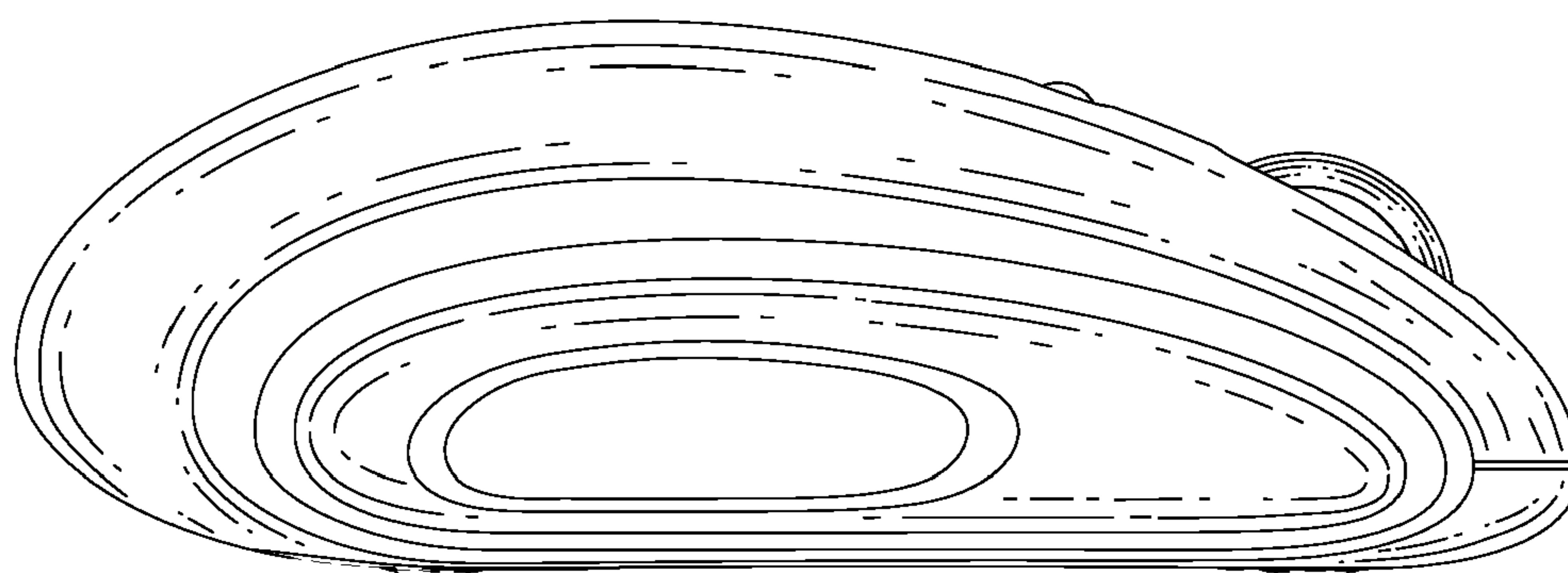


FIG. 4

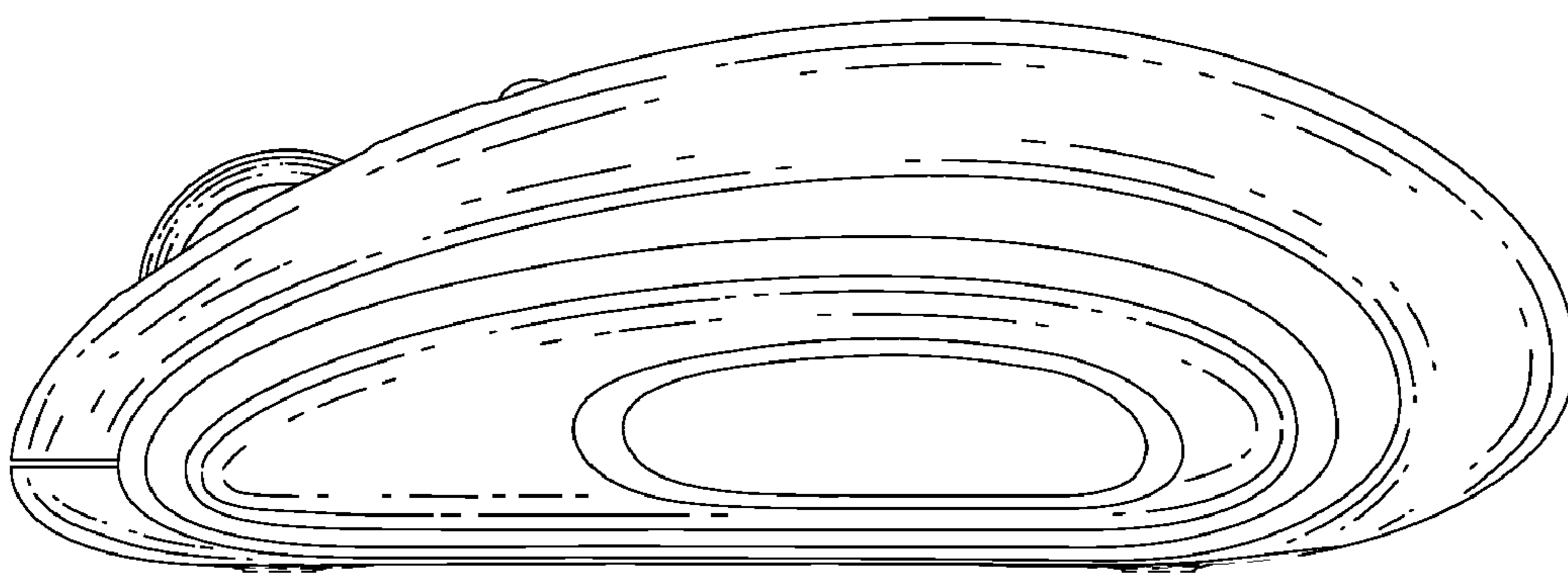


FIG. 5

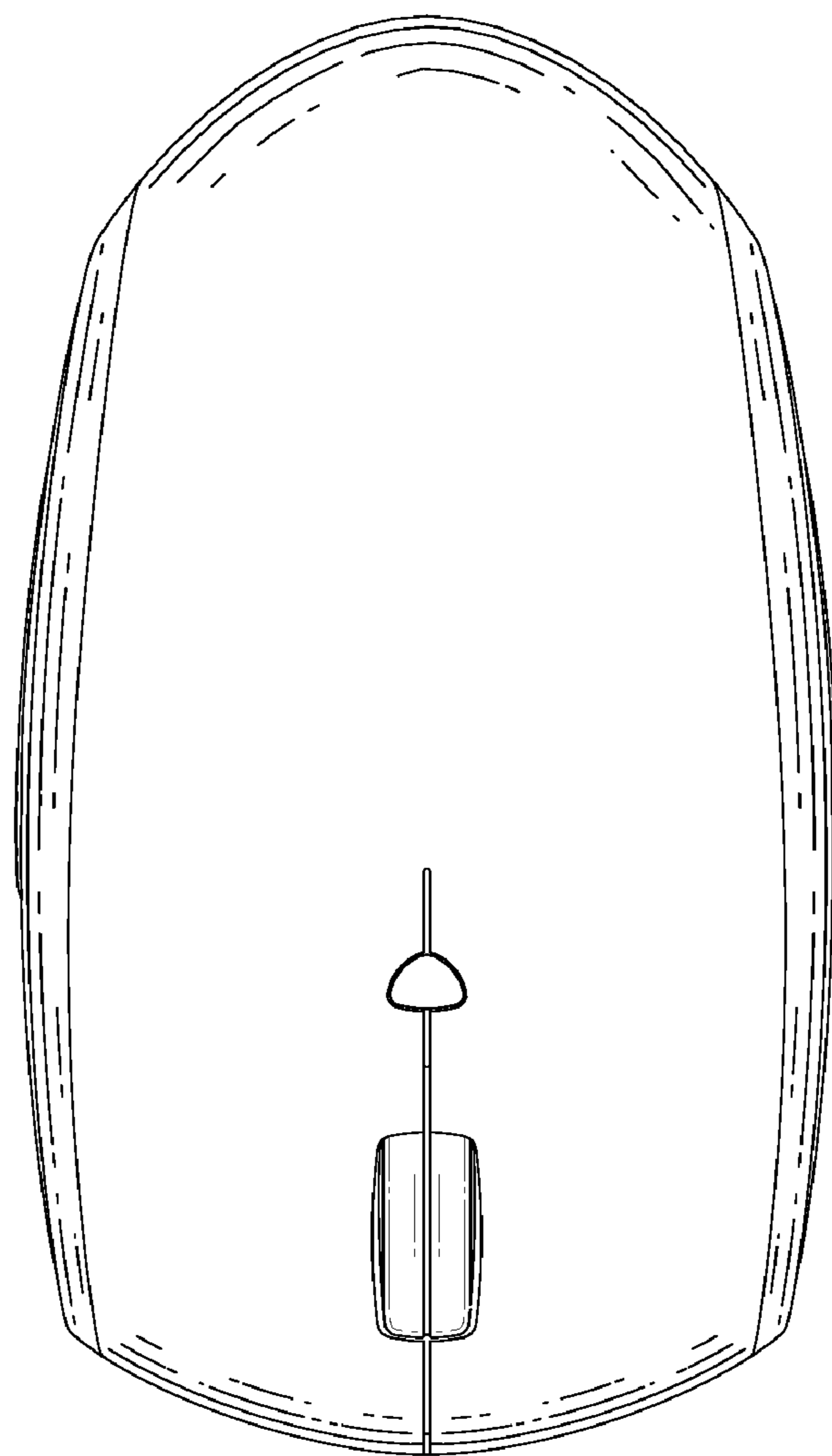


FIG. 6

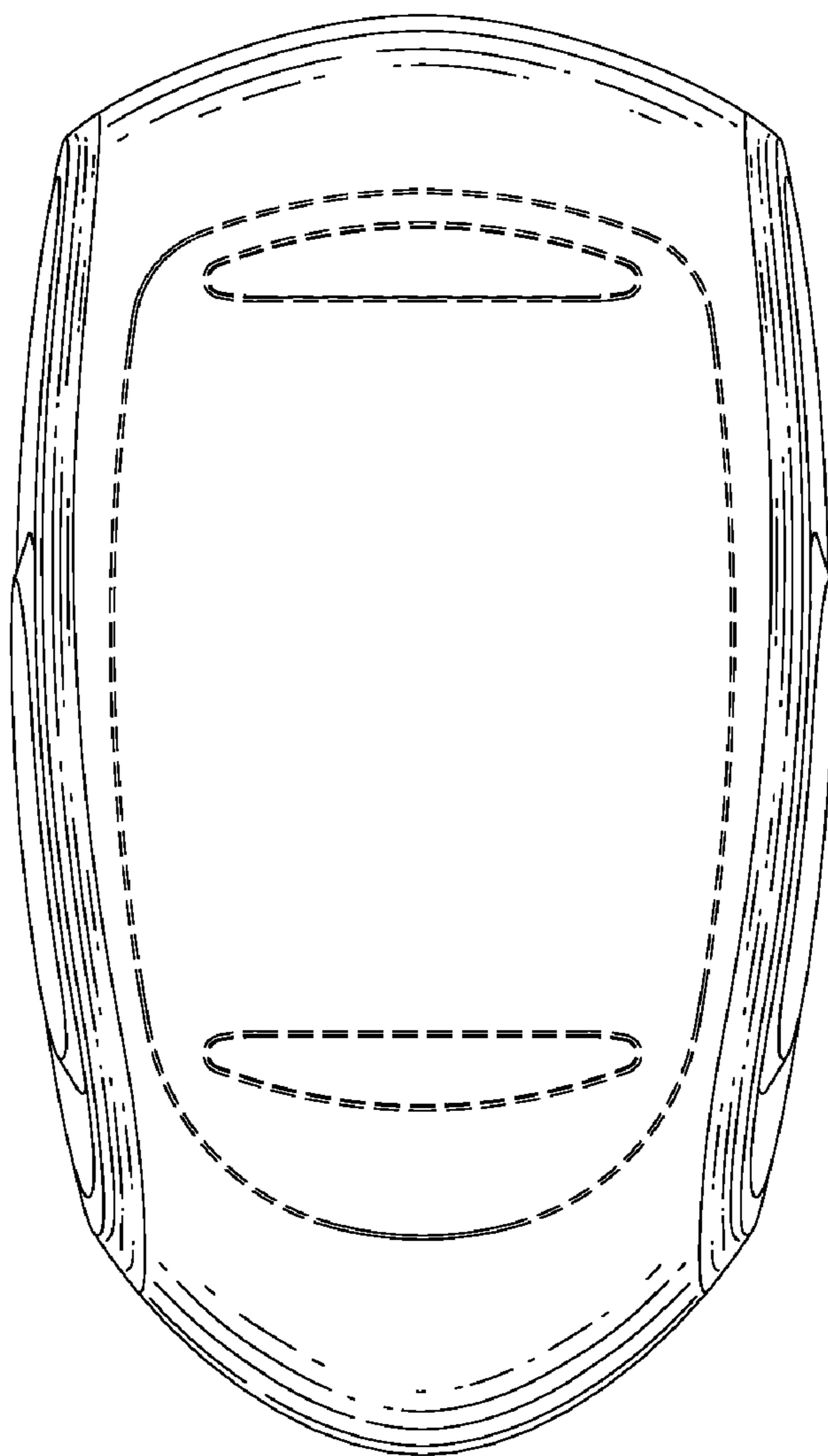


FIG. 7