



US00D638836S

(12) **United States Design Patent**
Daniel

(10) **Patent No.:** **US D638,836 S**

(45) **Date of Patent:** **** May 31, 2011**

(54) **PORTABLE MEDIA DEVICE**

(75) Inventor: **Isaac Sayo Daniel**, Miramar, FL (US)

(73) Assignee: **Lead Technology Capital Management, LLC**, Miami, FL (US)

(**) Term: **14 Years**

(21) Appl. No.: **29/368,688**

(22) Filed: **Aug. 27, 2010**

(51) **LOC (9) Cl.** **14-02**

(52) **U.S. Cl.** **D14/341**

(58) **Field of Classification Search** D14/341-347,
D14/137, 138, 138.1, 138 AA, 138 R, 138 AB,
D14/138 G, 138 A, 496, 426, 429, 129, 130,
D14/420, 439-441, 448, 125-126, 147, 156,
D14/218, 250, 336, 203.1, 203.3, 203.4, 203.7,
D14/315, 388-390, 485-486; D21/324,
D21/329, 330; D10/65, 104; 345/169, 901,
345/905, 156, 157, 168, 173; 379/433.04,
379/433.07, 433.11, 916, 433.01, 433.06;
361/680, 686, 679.27, 679.3

See application file for complete search history.

(56) **References Cited**

U.S. PATENT DOCUMENTS

D455,146 S * 4/2002 Tsuboi D14/337
D494,174 S * 8/2004 Hsu Li D14/374
D558,460 S * 1/2008 Yu et al. D6/308
D590,824 S * 4/2009 Kurosawa et al. D14/315

D592,625 S * 5/2009 Hwang D14/130
D593,553 S * 6/2009 Okamoto et al. D14/341
D600,455 S * 9/2009 Nell D6/308
D615,527 S * 5/2010 Hwang D14/203.8

* cited by examiner

Primary Examiner — Cathron C Brooks

Assistant Examiner — Barbara Fox

(74) *Attorney, Agent, or Firm* — Alberto Interian, III, Esq.

(57) **CLAIM**

The ornamental design for a portable media device, as shown and described.

DESCRIPTION

FIG. 1 is a front perspective view of a portable media device, showing the device with the cover open.

FIG. 2 is a front perspective view of the portable media device, showing the device with the cover closed.

FIG. 3 is a front bottom plan view of the portable media device of FIG. 1.

FIG. 4 is a rear view thereof.

FIG. 5 is a side view thereof.

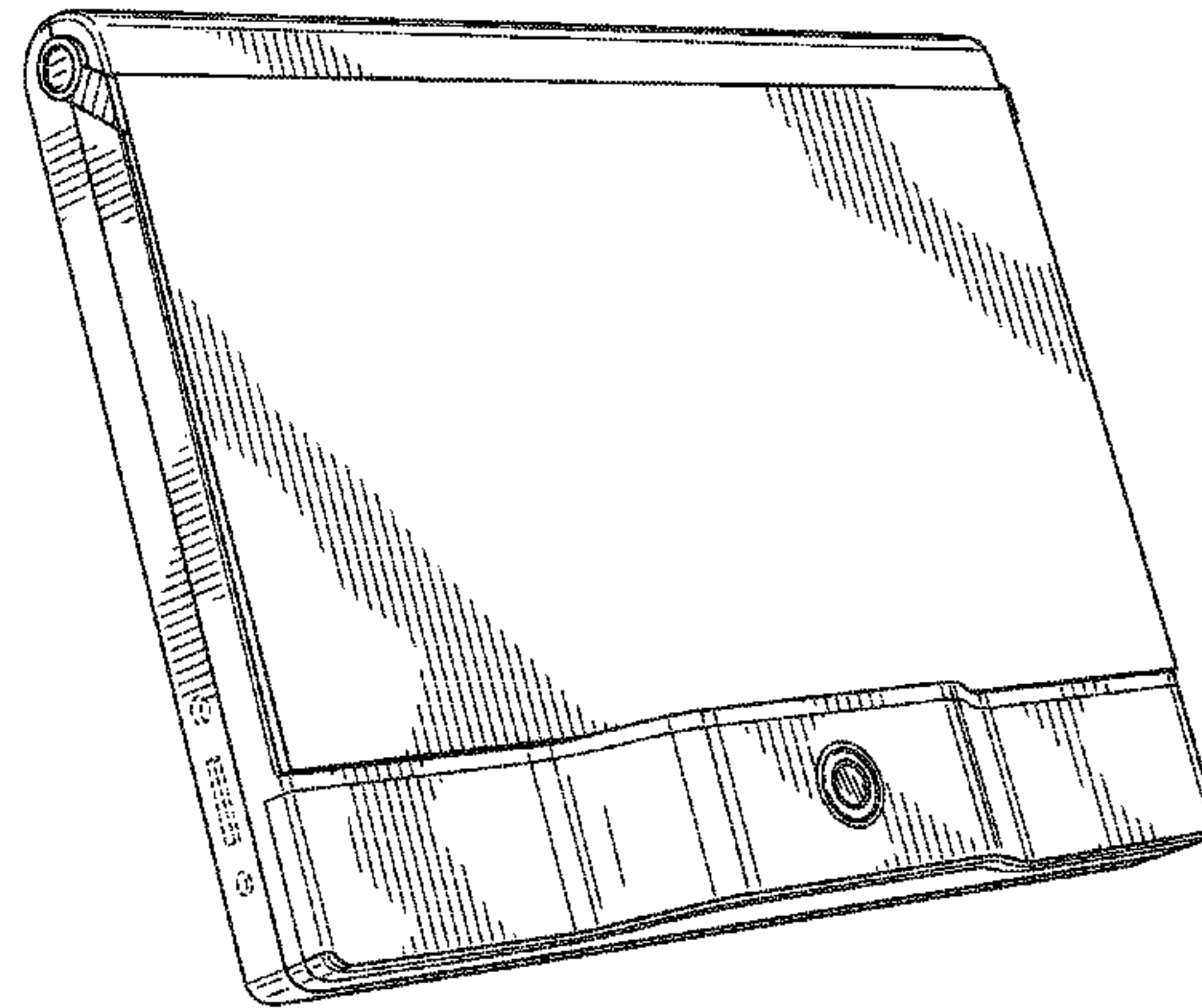
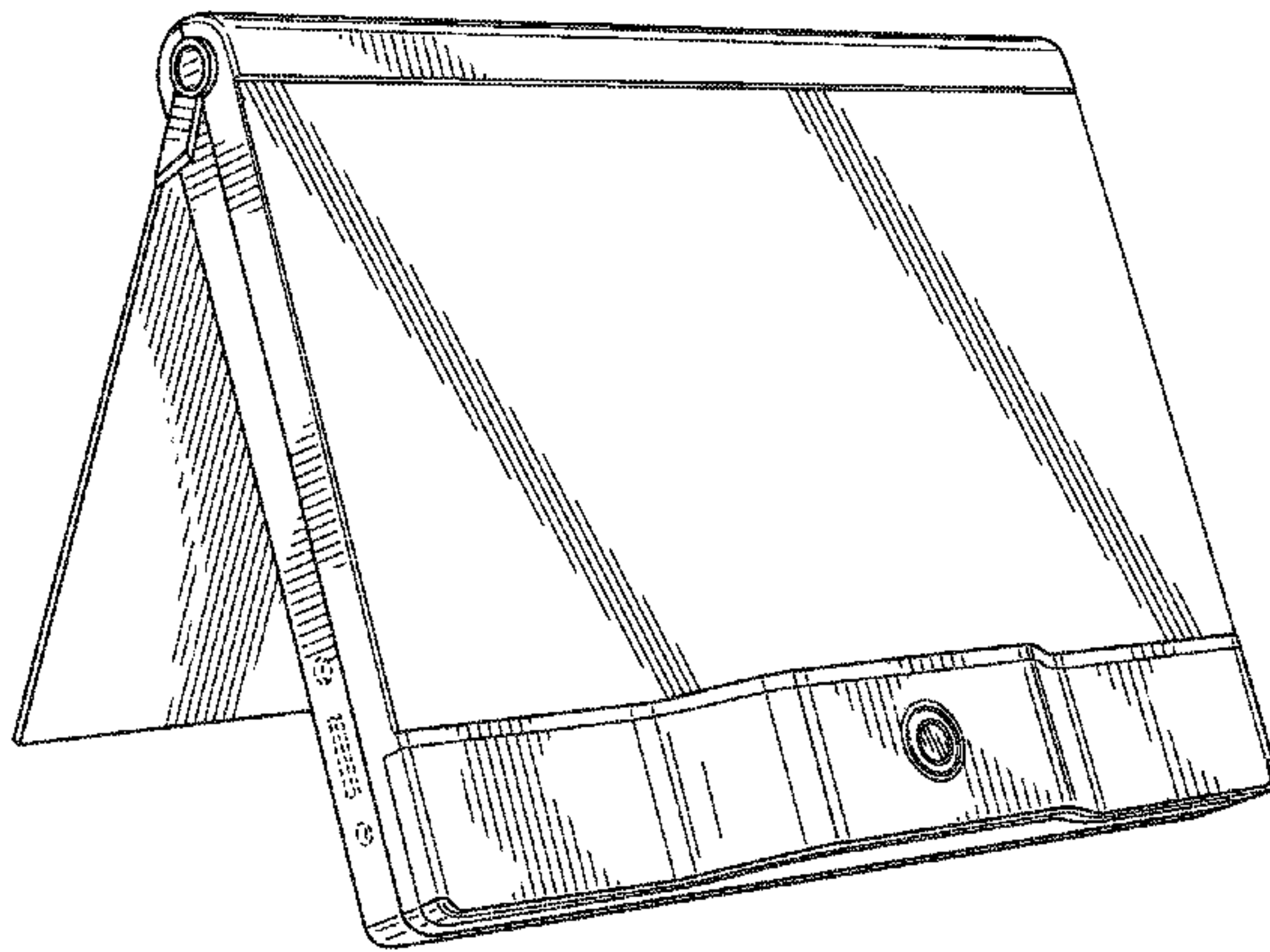
FIG. 6 is a side view thereof.

FIG. 7 is a top front plan view thereof; and,

FIG. 8 is a rear bottom plan view thereof.

The broken lines shown in the drawings represent unclaimed portions of the portable media device and form no part of the claimed design.

1 Claim, 8 Drawing Sheets



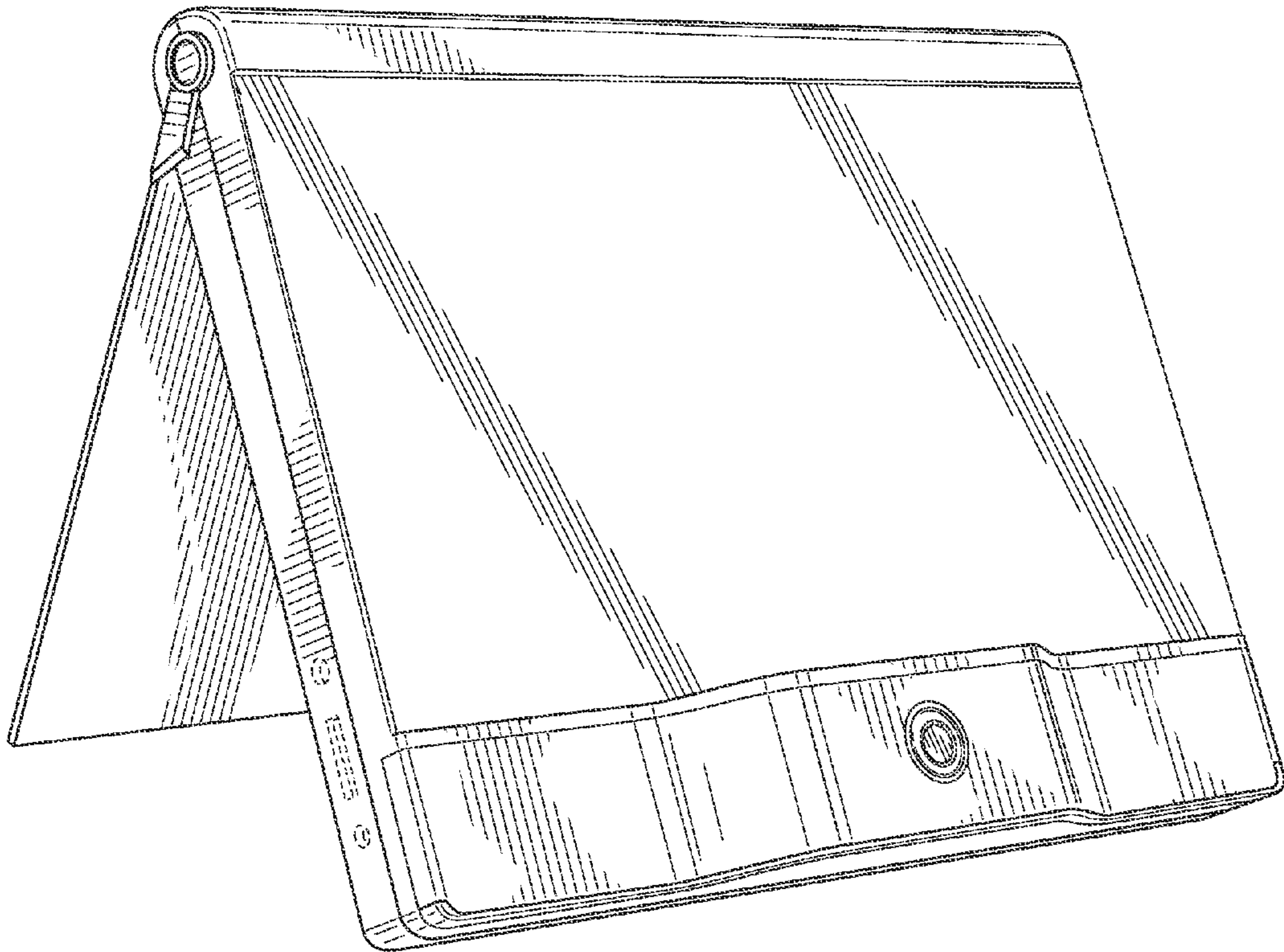


FIG. 1

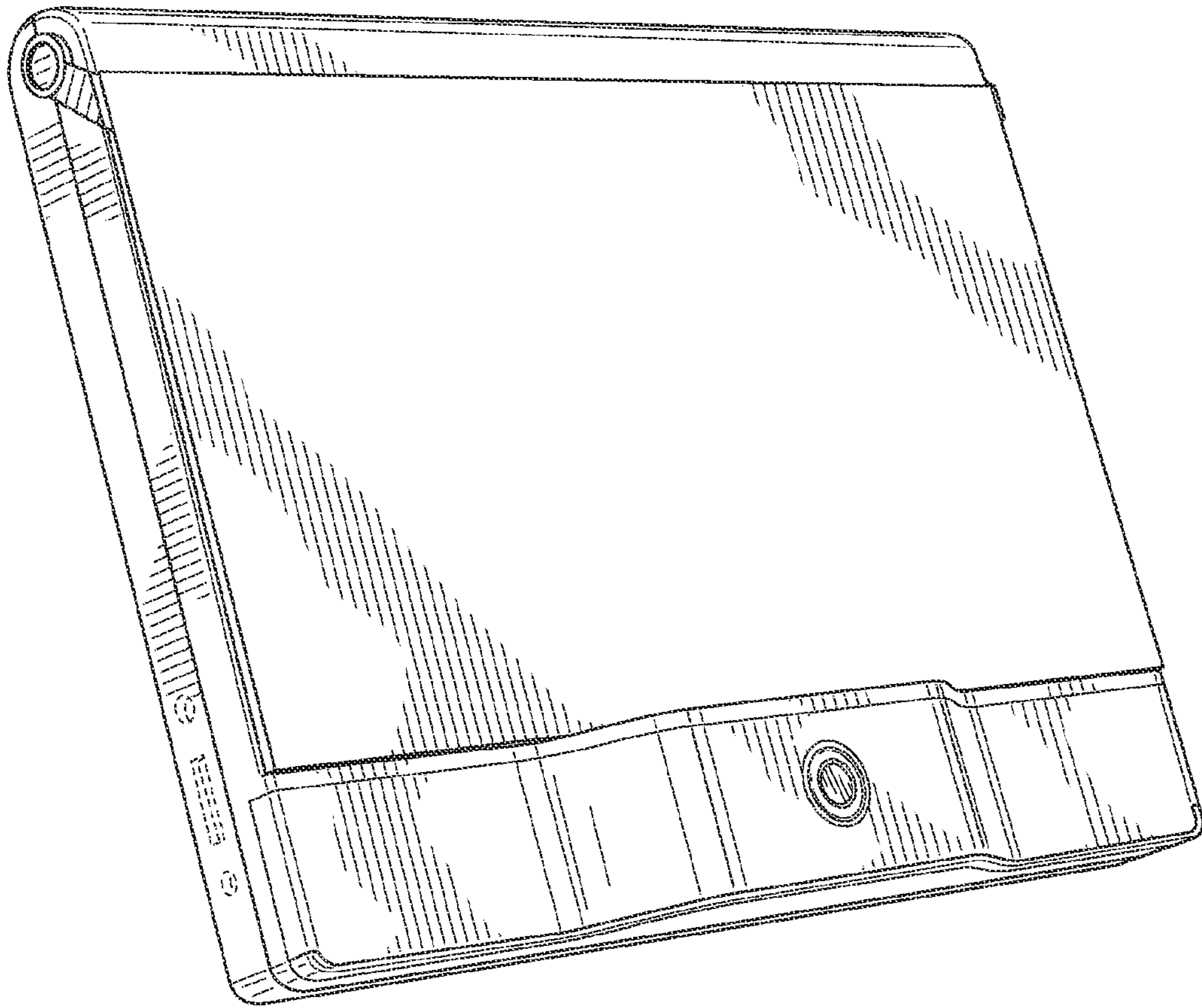


FIG. 2

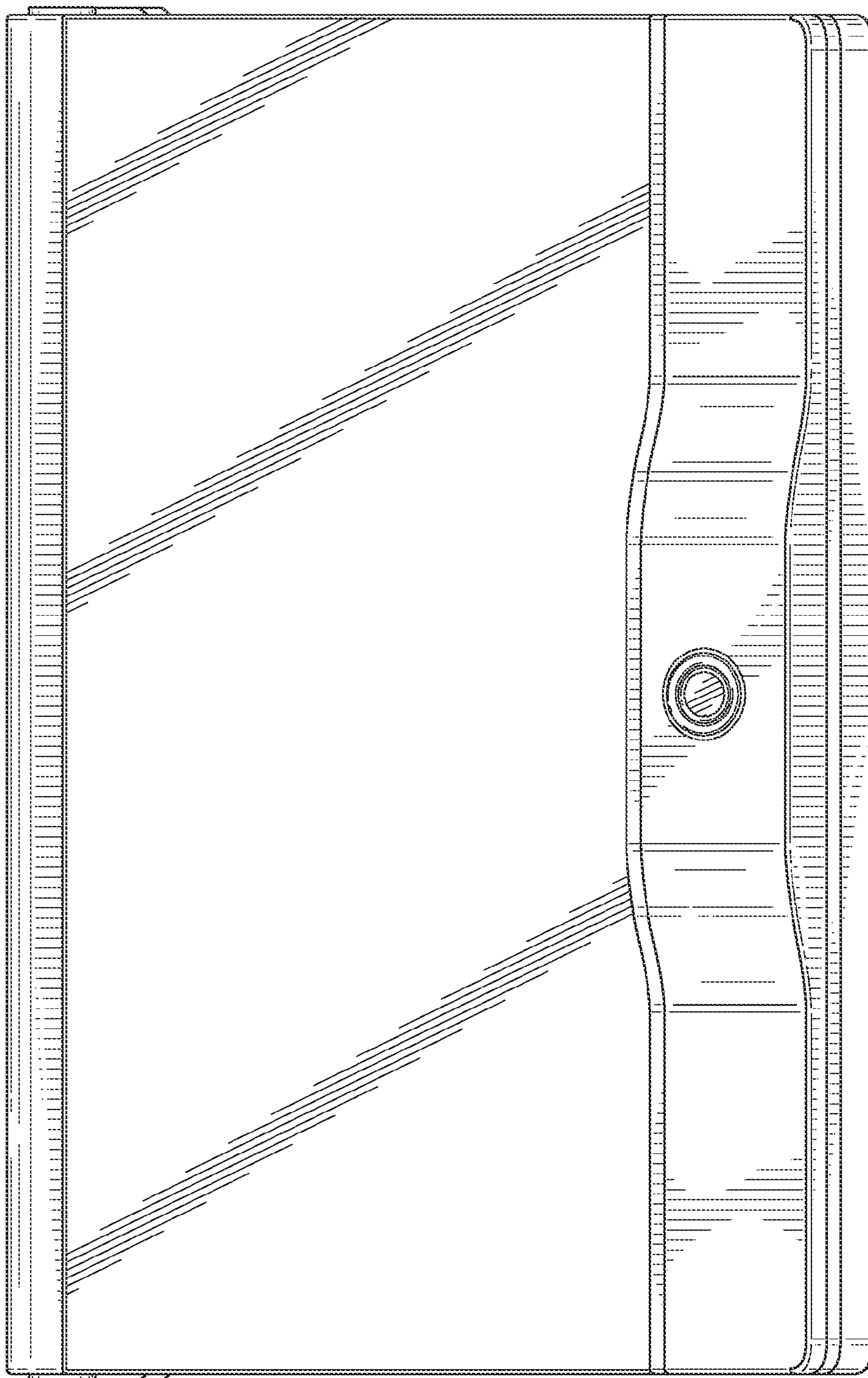


FIG. 3

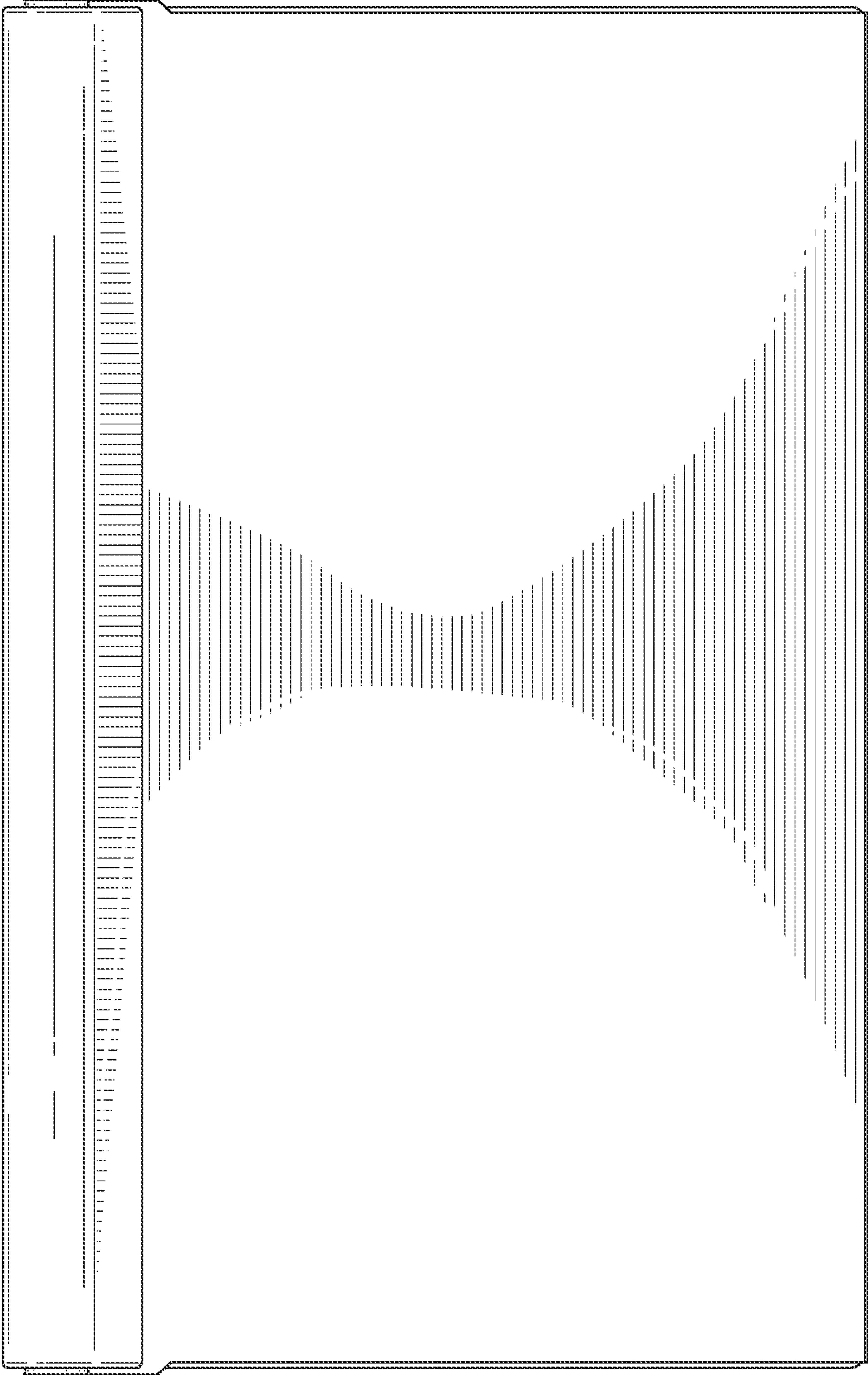


FIG. 4

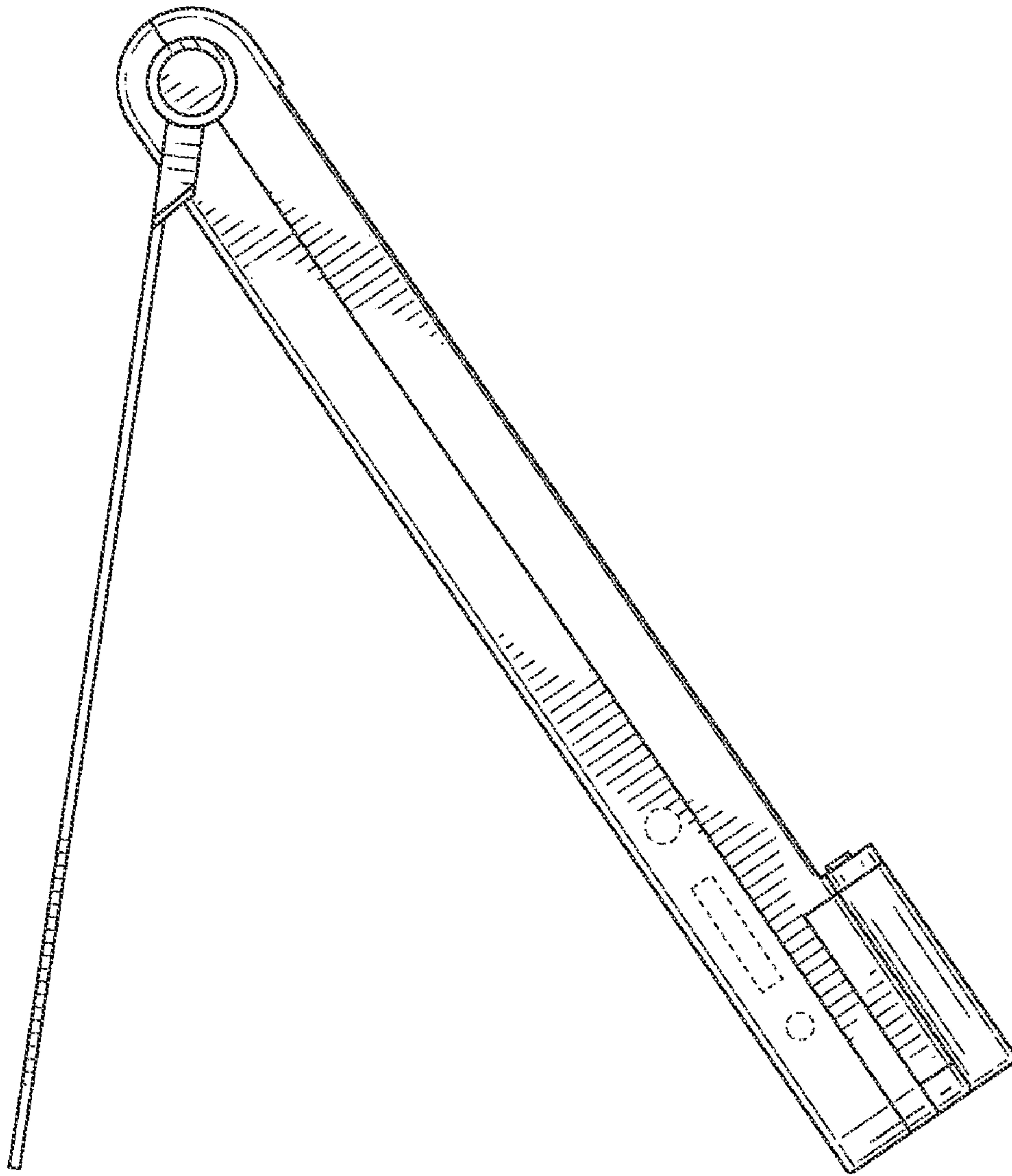


FIG. 5

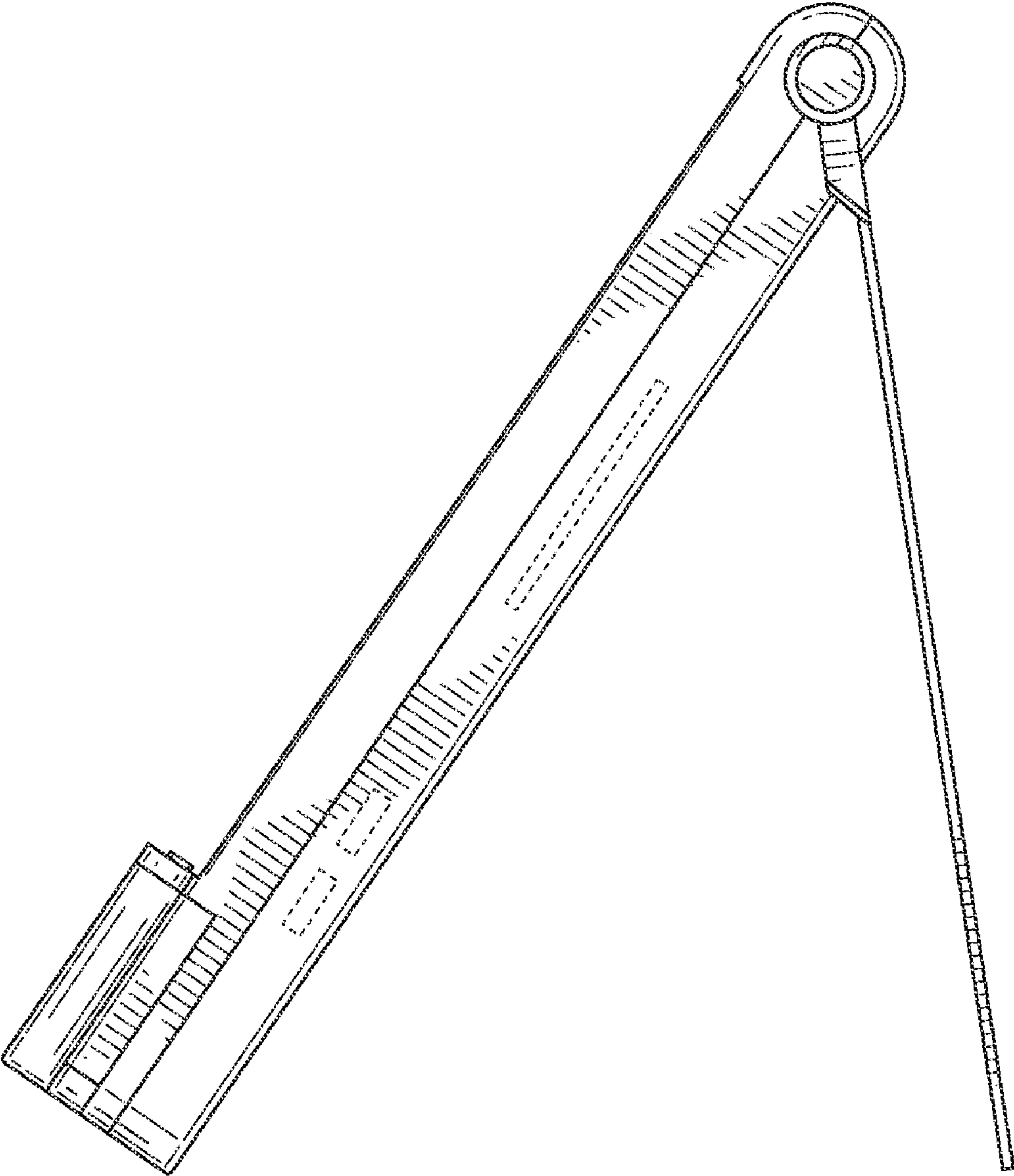


FIG. 6

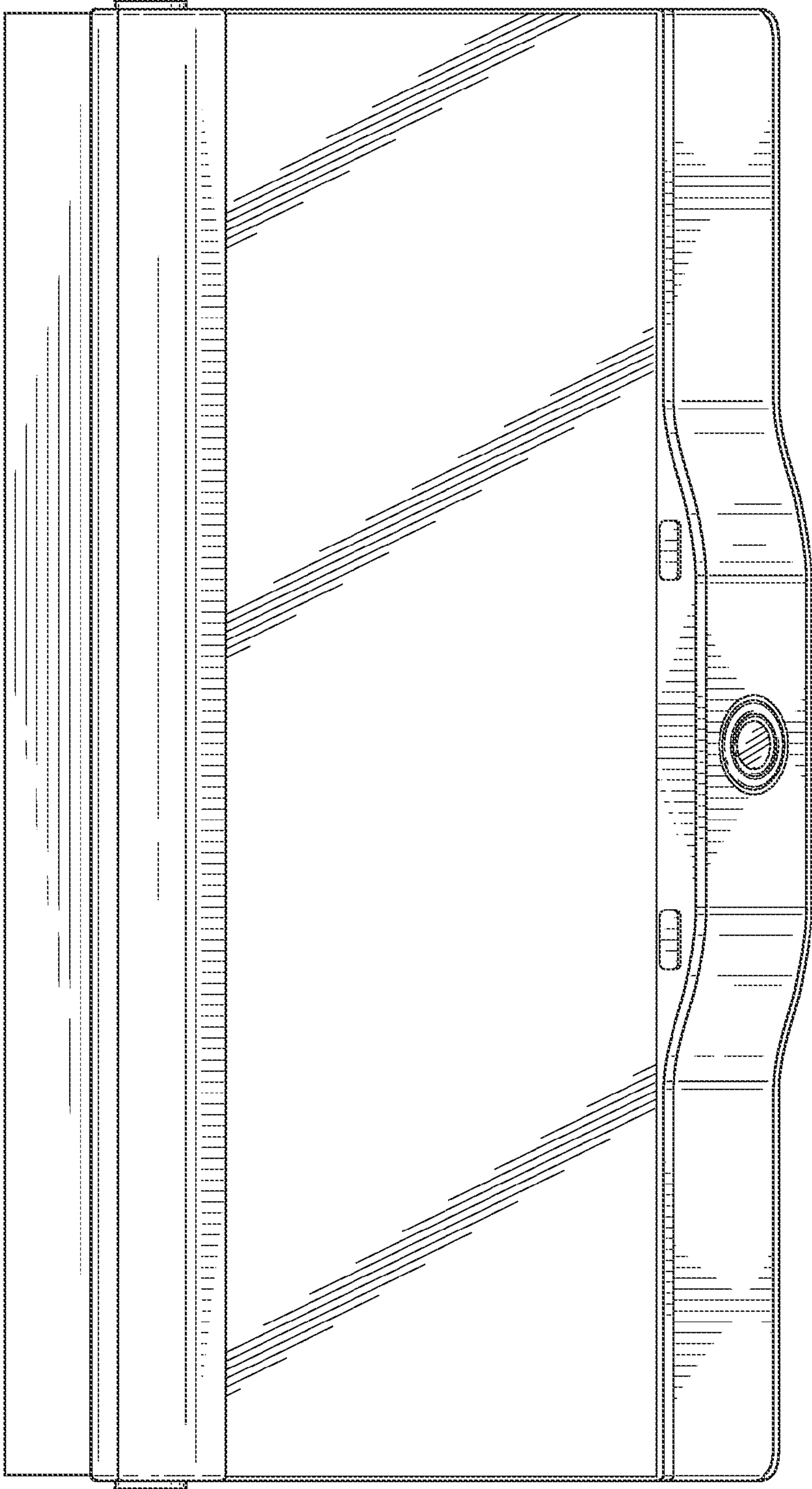


FIG. 7

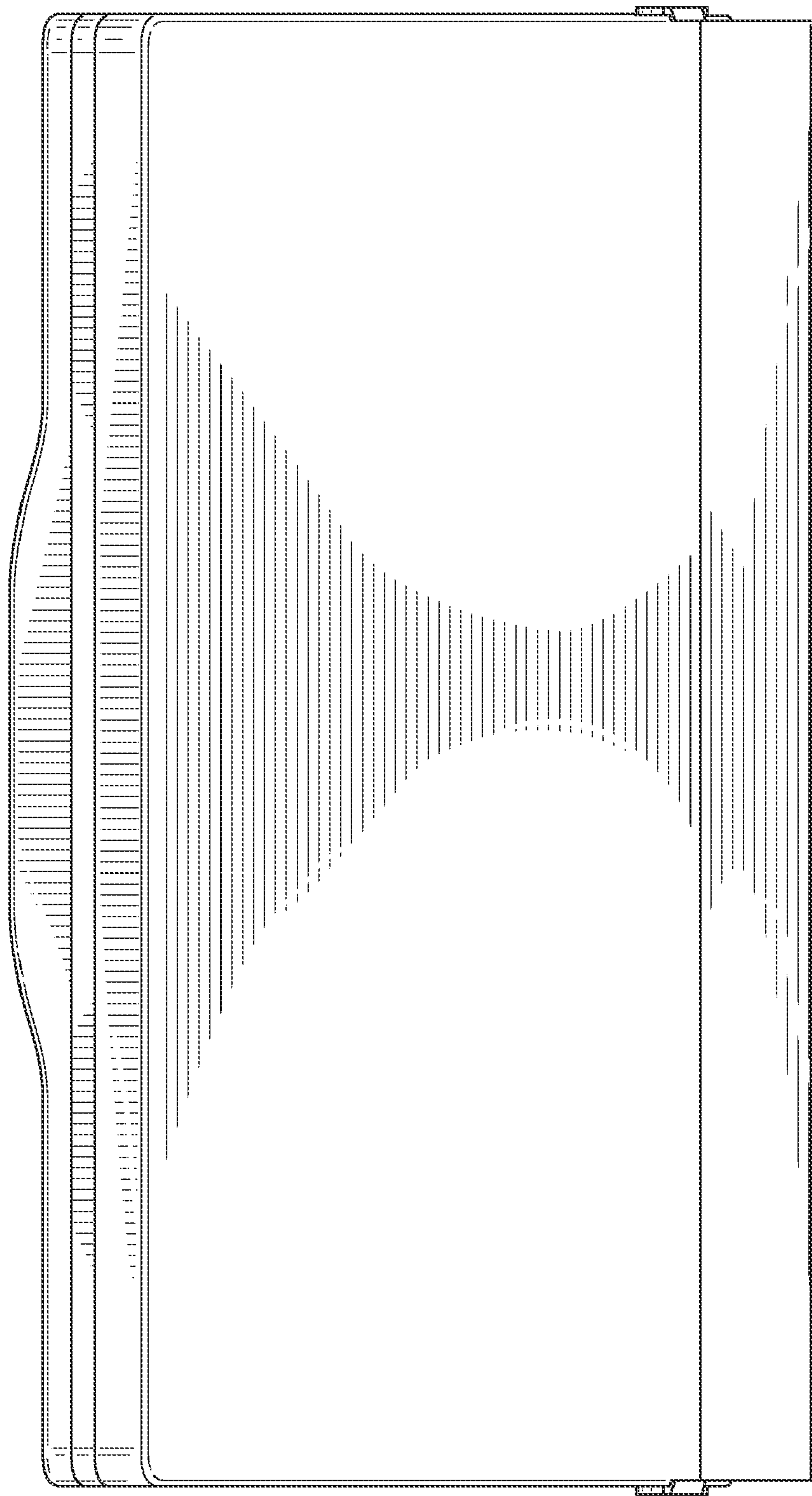


FIG. 8