



US00D638834S

(12) **United States Design Patent**
Wesolek

(10) **Patent No.:** **US D638,834 S**
(45) **Date of Patent:** **** *May 31, 2011**

(54) **TABLET COMPUTER**
(75) Inventor: **Bryan J. Wesolek**, Chesterton, IN (US)
(73) Assignee: **Data Ltd., Inc.**, LaPorte, IN (US)
(**) Term: **14 Years**

5,019,677 A 5/1991 Menen
5,021,641 A 6/1991 Swartz et al.
D320,013 S 9/1991 Siemiatkowski et al.
5,075,538 A 12/1991 Swartz et al.
5,080,456 A 1/1992 Katz et al.
D325,573 S 4/1992 Glegg et al.

(Continued)

(21) Appl. No.: **29/344,807**
(22) Filed: **Oct. 5, 2009**
(51) **LOC (9) Cl.** **14-02**
(52) **U.S. Cl.** **D14/341**
(58) **Field of Classification Search** D14/341-347,
D14/137, 138, 138.1, 138 AA, 138 R, 138 AB,
D14/138 G, 138 A, 496, 426, 429, 129, 130,
D14/420, 439-441, 448, 125, 147, 156, 218,
D14/250, 336, 203.1, 203.3, 203.4, 203.7,
D14/315, 388-390; D21/324, 329, 330;
D10/65, 104; D18/6-7; 345/169, 901, 905,
345/156, 157, 168, 173; 361/814, 680, 686,
361/679.27, 679.3; 341/22; 348/168; 379/433.04,
379/433.07, 433.11, 916, 433.01, 433.06
See application file for complete search history.

OTHER PUBLICATIONS

Applicant's co-pending U.S. Appl. No. 29/338,316, filed Jun. 9, 2009, 7 pages.

Primary Examiner — Cathron C Brooks
Assistant Examiner — Barbara Fox
(74) *Attorney, Agent, or Firm* — Barnes & Thornburg LLP

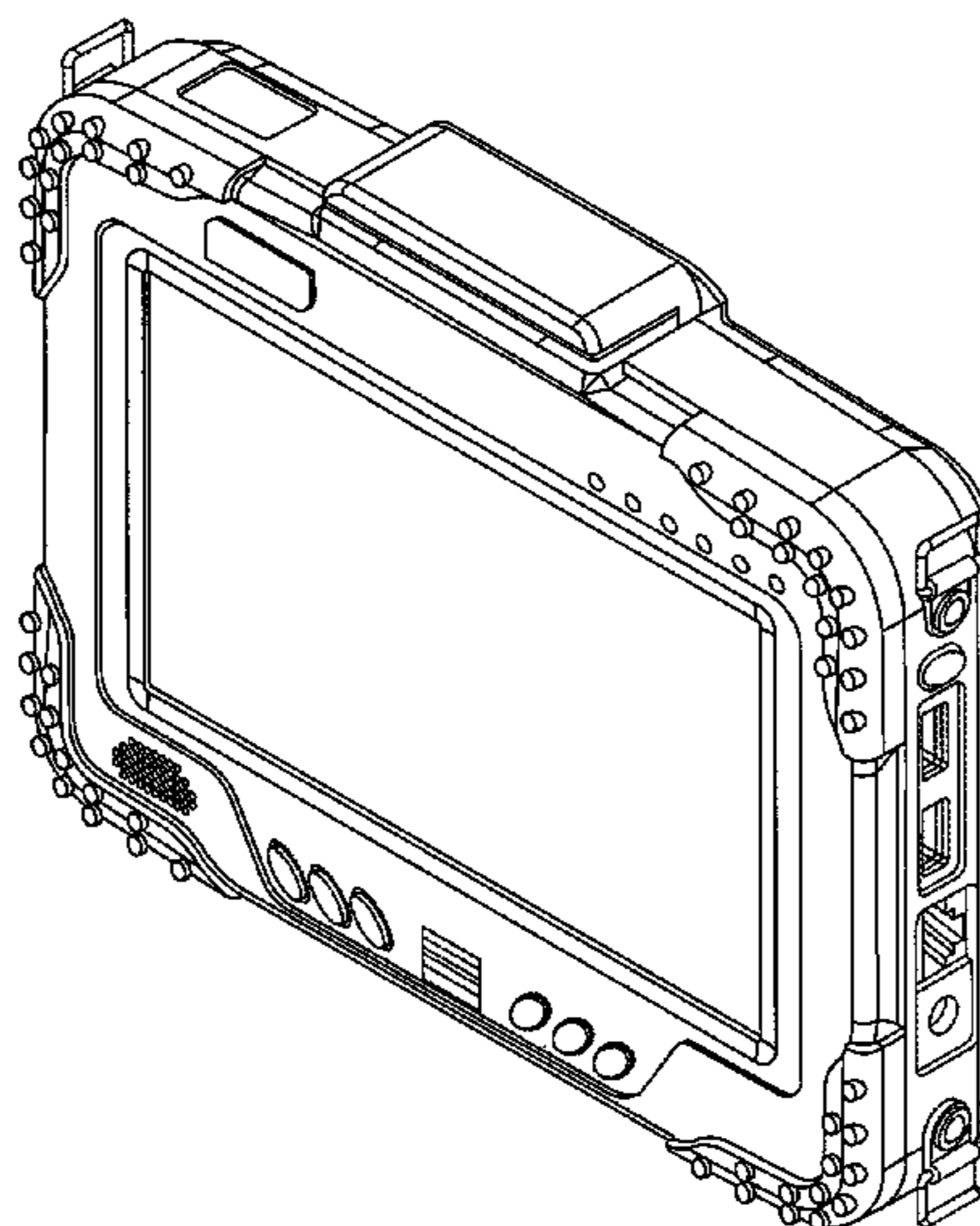
(57) **CLAIM**
I claim the ornamental design for a tablet computer, as shown and described.

DESCRIPTION

FIG. 1 is a front perspective view of a tablet computer of the present invention.
FIG. 2 is a rear perspective view of the tablet computer depicted in FIG. 1.
FIG. 3 is a front view of the tablet computer depicted in FIG. 1.
FIG. 4 is a rear view of the tablet computer depicted in FIG. 1.
FIG. 5 is a top view of the tablet computer depicted in FIG. 1.
FIG. 6 is a bottom view of the tablet computer depicted in FIG. 1.
FIG. 7 is a left side view of the tablet computer depicted in FIG. 1; and,
FIG. 8 is a right side view of the tablet computer depicted in FIG. 1.
The broken lines shown in the drawings are for purposes of illustrating portions of the tablet computer and form no part of the claimed design.

(56) **References Cited**
U.S. PATENT DOCUMENTS
4,387,297 A 6/1983 Swartz et al.
4,460,120 A 7/1984 Shepard et al.
4,593,186 A 6/1986 Swartz et al.
4,758,717 A 7/1988 Shepard et al.
4,806,742 A 2/1989 Swartz et al.
4,816,660 A 3/1989 Swartz et al.
4,825,057 A 4/1989 Swartz et al.
4,835,374 A 5/1989 Swartz et al.
4,896,026 A 1/1990 Krichever et al.
4,897,532 A 1/1990 Swartz et al.
D305,884 S 2/1990 Krichever et al.
D305,885 S 2/1990 Barkan et al.
D315,549 S 3/1991 Clough et al.
5,012,389 A 4/1991 Perry
5,015,833 A 5/1991 Shepard et al.
5,017,765 A 5/1991 Shepard et al.

1 Claim, 6 Drawing Sheets



US D638,834 S

Page 2

U.S. PATENT DOCUMENTS							
D325,574	S	4/1992	Carver	D378,519	S	3/1997	Ober et al.
5,107,100	A	4/1992	Shepard et al.	5,635,700	A	6/1997	Fazekas
5,130,520	A	7/1992	Shepard et al.	5,637,851	A	6/1997	Swartz et al.
5,142,684	A	8/1992	Perry et al.	5,637,856	A	6/1997	Bridgelall et al.
5,149,950	A	9/1992	Swartz et al.	5,659,761	A	8/1997	DeArras et al.
D330,707	S	11/1992	Whitaker	5,661,291	A	8/1997	Ahearn et al.
D330,708	S	11/1992	LaManna et al.	D383,124	S	9/1997	Lanzaro et al.
5,180,904	A	1/1993	Shepard et al.	5,665,954	A	9/1997	Bard et al.
5,200,597	A	4/1993	Eastman et al.	5,675,362	A	10/1997	Clough et al.
5,212,371	A	5/1993	Boles et al.	D386,489	S	11/1997	Goldman et al.
5,212,372	A	5/1993	Quick et al.	D387,752	S	12/1997	Stewart et al.
D336,464	S	6/1993	Clough et al.	D387,753	S	12/1997	Stewart et al.
D337,316	S	7/1993	Ruiten	D387,754	S	12/1997	Stewart et al.
5,247,657	A	9/1993	Myers	D388,076	S	12/1997	Swift et al.
D340,038	S	10/1993	Venne et al.	5,710,417	A	1/1998	Joseph et al.
D340,236	S	10/1993	Sandor	D391,234	S	2/1998	Chacon et al.
D340,237	S	10/1993	Swartz	D391,555	S	3/1998	Schlieffers et al.
D340,238	S	10/1993	Swartz	D392,282	S	3/1998	Ahearn et al.
D340,239	S	10/1993	Swartz	5,729,003	A	3/1998	Briggs, III
D340,707	S	10/1993	Swartz	5,742,475	A	4/1998	Riddiford
5,250,792	A	10/1993	Swartz	D394,848	S	6/1998	Riddiford
D341,584	S	11/1993	Shepard	D394,855	S	6/1998	Ahearn et al.
5,262,628	A	11/1993	Shepard et al.	5,763,865	A	6/1998	Swift et al.
D342,244	S	12/1993	Swartz	D396,033	S	7/1998	Ahearn et al.
D342,245	S	12/1993	Krichever et al.	5,777,281	A	7/1998	Riddiford
D342,491	S	12/1993	Doran et al.	5,786,581	A	7/1998	Eastman et al.
D343,170	S	1/1994	Gilpin et al.	5,786,585	A	7/1998	Eastman et al.
5,281,800	A	1/1994	Pelton et al.	D397,085	S	8/1998	Blase
D344,494	S	2/1994	Cardenas	5,793,967	A	8/1998	Simciak et al.
D344,501	S	2/1994	Gong et al.	D398,002	S	9/1998	Chacon et al.
D344,936	S	3/1994	Gilpin et al.	D398,903	S	9/1998	Chacon et al.
D346,162	S	4/1994	Bennett et al.	5,801,371	A	9/1998	Kahn et al.
5,306,900	A	4/1994	Metlitsky et al.	5,801,918	A	9/1998	Ahearn et al.
5,319,184	A	6/1994	Gilpin et al.	5,805,474	A	9/1998	Danielson et al.
5,321,246	A	6/1994	Shepard et al.	5,808,287	A	9/1998	Shepard et al.
D349,109	S	7/1994	Karlin	5,814,827	A	9/1998	Katz
D350,735	S	9/1994	Karlin et al.	5,818,027	A	10/1998	Paratore
D352,936	S	11/1994	Karlin	5,828,052	A	10/1998	Reynolds et al.
D352,937	S	11/1994	Karlin	D400,872	S	11/1998	Ahearn et al.
D352,938	S	11/1994	Karlin	D404,761	S	1/1999	Tarpenning et al.
D352,939	S	11/1994	Karlin	D405,075	S	2/1999	Ahearn et al.
5,369,262	A	11/1994	Dvorkis et al.	D405,076	S	2/1999	Ahearn et al.
5,373,458	A	12/1994	Bishay et al.	D405,077	S	2/1999	Urushihata et al.
5,379,057	A	1/1995	Clough et al.	D405,256	S	2/1999	Chacon et al.
D355,904	S	2/1995	Swartz et al.	5,869,840	A	2/1999	Helton
5,396,055	A	3/1995	Shepard et al.	D406,581	S	3/1999	Bhatia et al.
D358,588	S	5/1995	LaManna et al.	D407,388	S	3/1999	Liao
D359,483	S	6/1995	Saunders et al.	5,886,338	A	3/1999	Arackellian et al.
D361,565	S	8/1995	LaManna et al.	5,907,145	A	5/1999	Krichever et al.
5,440,111	A	8/1995	Eastman et al.	5,912,450	A	6/1999	Katz et al.
D362,435	S	9/1995	Charych et al.	5,912,452	A	6/1999	Wiklof et al.
5,457,309	A	10/1995	Pelton	5,920,060	A	7/1999	Marom
5,468,949	A	11/1995	Swartz et al.	D414,171	S	9/1999	Swift et al.
5,471,042	A	11/1995	Kirkeby et al.	D414,172	S	9/1999	Hetfield et al.
5,477,044	A	12/1995	Aragon	D414,470	S	9/1999	Chacon et al.
D366,220	S	1/1996	Sakamoto	D414,760	S	10/1999	Hetfield et al.
5,502,297	A	3/1996	Sherman	5,969,328	A	10/1999	Kunert
5,504,367	A	4/1996	Arackellian et al.	5,973,645	A	10/1999	Zigler et al.
5,508,504	A	4/1996	Dvorkis et al.	5,979,764	A	11/1999	Swyst et al.
5,508,505	A	4/1996	Walts et al.	5,979,770	A	11/1999	Schlieffers et al.
D370,478	S	6/1996	Swift et al.	5,992,750	A	11/1999	Chadima, Jr. et al.
D372,234	S	7/1996	LaManna et al.	D417,445	S	12/1999	Chacon et al.
5,532,469	A	7/1996	Shepard et al.	6,003,775	A	12/1999	Ackley
5,541,397	A	7/1996	Walts	D418,500	S	1/2000	Giordano et al.
5,550,362	A	8/1996	Sherman	D419,548	S	1/2000	Jones et al.
D374,869	S	10/1996	Karlin	6,023,147	A	2/2000	Cargin, Jr. et al.
5,565,671	A	10/1996	Kirkeby et al.	6,028,765	A	2/2000	Swindler et al.
D375,493	S	11/1996	Karlin	6,031,524	A	2/2000	Kunert
5,572,007	A	11/1996	Aragon et al.	6,036,093	A	3/2000	Schultz
5,576,981	A	11/1996	Parker et al.	6,036,094	A	3/2000	Goldman et al.
D376,357	S	12/1996	Ferland et al.	6,042,414	A	3/2000	Kunert
5,581,243	A	12/1996	Ouellette et al.	6,049,813	A	4/2000	Danielson et al.
D377,345	S	1/1997	Karlin	6,052,279	A	4/2000	Friend et al.
D377,346	S	1/1997	Karlin	D424,035	S	5/2000	Steiner et al.
D377,347	S	1/1997	Karlin	D425,558	S	5/2000	Tarpenning et al.
D377,348	S	1/1997	Karlin	6,056,199	A	5/2000	Wiklof et al.
5,598,007	A	1/1997	Bunce et al.	D430,158	S	8/2000	Bhatia et al.
D377,790	S	2/1997	Ober et al.	D430,159	S	8/2000	Bhatia et al.
				6,102,266	A	8/2000	Chacon et al.

US D638,834 S

6,123,265 A	9/2000	Schlieffers et al.	6,648,228 B2	11/2003	Dvorkis
D431,562 S	10/2000	Bhatia et al.	6,651,888 B1	11/2003	Gurevich et al.
6,149,062 A	11/2000	Danielson et al.	D484,131 S	12/2003	Olson et al.
6,149,063 A	11/2000	Reynolds et al.	D484,133 S	12/2003	Liu et al.
6,158,661 A	12/2000	Chadima, Jr. et al.	6,659,350 B2	12/2003	Schwartz et al.
6,158,662 A	12/2000	Kahn et al.	D484,878 S	1/2004	Wightman et al.
6,163,359 A	12/2000	Smith et al.	6,698,656 B2	3/2004	Parker et al.
6,164,545 A	12/2000	Danielson	6,719,201 B2	4/2004	Tamburrini et al.
D436,104 S	1/2001	Bhatia et al.	6,722,566 B1	4/2004	Drzymak et al.
6,177,926 B1	1/2001	Kunert	6,724,618 B1	4/2004	Jenkins et al.
6,186,400 B1	2/2001	Dvorkis et al.	D490,421 S	5/2004	Duren et al.
6,195,053 B1	2/2001	Kodukula et al.	6,745,943 B2	6/2004	Schlieffers et al.
D439,898 S	4/2001	Ober et al.	6,752,319 B2	6/2004	Ehrhart et al.
6,216,951 B1	4/2001	Swift et al.	D492,681 S	7/2004	Ahearn et al.
6,234,395 B1	5/2001	Chadima, Jr. et al.	D493,802 S	8/2004	Berentzen et al.
6,243,258 B1	6/2001	Paratore	D494,179 S	8/2004	Berentzen et al.
6,244,512 B1	6/2001	Koenck et al.	D494,584 S	8/2004	Schlieffers et al.
6,244,513 B1	6/2001	Schlieffers et al.	D494,593 S	8/2004	Wulff et al.
6,259,044 B1	7/2001	Paratore et al.	6,783,072 B2	8/2004	Acosta et al.
6,266,685 B1	7/2001	Danielson et al.	D496,366 S	9/2004	Croley et al.
D446,524 S	8/2001	Bontly et al.	D497,165 S	10/2004	Borsboom
6,308,892 B1	10/2001	Swartz et al.	6,812,862 B1	11/2004	Dempsey
6,321,990 B1	11/2001	Giordano et al.	6,814,290 B2	11/2004	Longacre
6,330,975 B1	12/2001	Bunte et al.	6,824,060 B2	11/2004	Barkan
D453,757 S	2/2002	Maio et al.	6,832,725 B2	12/2004	Gardiner et al.
D454,563 S	3/2002	Brown et al.	6,834,807 B2	12/2004	Ehrhart et al.
RE37,635 E	4/2002	Clark et al.	D501,007 S	1/2005	Heng
6,373,579 B1	4/2002	Ober et al.	6,856,506 B2	2/2005	Doherty et al.
6,375,075 B1	4/2002	Ackley et al.	6,870,730 B2	3/2005	Riddiford
6,375,076 B1	4/2002	Massieu et al.	D504,472 S	4/2005	Liu et al.
D456,806 S	5/2002	Ahearn et al.	6,882,524 B2	4/2005	Ulla et al.
6,388,659 B2 *	5/2002	Myerson et al. 345/169	6,883,713 B2	4/2005	Schlieffers et al.
6,394,355 B1	5/2002	Schlieffers et al.	D504,686 S	5/2005	Hsu Li
D458,264 S	6/2002	MacGregor	D505,423 S	5/2005	Ahearn et al.
D458,265 S	6/2002	Fitch	6,899,273 B2	5/2005	Hussey et al.
D458,910 S	6/2002	Kita	D506,195 S	6/2005	Leveridge et al.
6,405,929 B1	6/2002	Ehrhart et al.	6,909,424 B2	6/2005	Liebenow et al.
6,409,341 B1	6/2002	Goldfain et al.	6,922,557 B2	7/2005	Fantaske
6,410,931 B1	6/2002	Dvorkis et al.	D509,788 S	9/2005	Schlieffers et al.
D459,728 S	7/2002	Roberts et al.	D509,829 S	9/2005	MacGregor
D460,075 S	7/2002	Destefano et al.	6,947,612 B2	9/2005	Helms et al.
6,412,697 B1	7/2002	Bridgelall et al.	D523,468 S	6/2006	Umeda et al.
6,412,698 B2	7/2002	Bontly	D528,146 S	9/2006	Fitch
6,419,157 B1	7/2002	Ehrhart et al.	D533,552 S	12/2006	Kuroiwa et al.
D461,189 S	8/2002	Bontly et al.	D537,441 S	2/2007	Bruker
D462,074 S	8/2002	Kim	D540,705 S	4/2007	Shubin
6,431,451 B1	8/2002	Koenck et al.	7,236,356 B2	6/2007	Ulla et al.
6,435,411 B1	8/2002	Massieu et al.	D548,207 S *	8/2007	Hsiung D14/129
D462,357 S	9/2002	Jenkins	D548,245 S	8/2007	Liang et al.
D462,688 S	9/2002	Schlieffers et al.	D551,189 S	9/2007	Chu
D462,964 S	9/2002	Croley et al.	D551,196 S *	9/2007	Hsiung D14/129
D463,421 S	9/2002	Lanzaro et al.	D559,859 S *	1/2008	Kim D14/496
D463,425 S	9/2002	Jenkins	D560,369 S	1/2008	Chiang et al.
6,473,519 B1	10/2002	Pidhirny et al.	D561,713 S	2/2008	Chu
D466,511 S	12/2002	Croley et al.	D572,675 S	7/2008	Qiu et al.
D467,918 S	12/2002	Fitch et al.	D595,290 S	6/2009	Takemasa
6,491,223 B1	12/2002	Longacre, Jr. et al.	D595,291 S	6/2009	Takemasa
6,497,368 B1	12/2002	Friend et al.	D597,541 S *	8/2009	Kazma et al. D14/341
D469,433 S	1/2003	Liao	D598,015 S *	8/2009	Busri D14/341
D469,434 S	1/2003	Lin	D601,139 S	9/2009	Huang et al.
6,502,754 B1	1/2003	Bhatia et al.	D601,557 S *	10/2009	Wesolek D14/341
D470,145 S	2/2003	Schlieffers et al.	D601,560 S *	10/2009	Matsumoto et al. D14/346
D473,872 S	4/2003	Ausems et al.	D602,933 S	10/2009	Huang et al.
6,543,695 B1	4/2003	Swift et al.	D608,358 S *	1/2010	Ong D14/345
6,550,679 B2	4/2003	Hennick et al.	2004/0140966 A1	7/2004	Marggraff et al.
6,561,428 B2	5/2003	Meier et al.	2005/0200608 A1	9/2005	Ulla et al.
6,568,596 B1	5/2003	Shaw	2005/0213297 A1	9/2005	Ulla et al.
D476,007 S	6/2003	Crawford et al.	2005/0213298 A1	9/2005	Doherty et al.
D476,330 S	6/2003	Ahearn et al.	2006/0017706 A1	1/2006	Cutherell et al.
6,578,767 B1	6/2003	Barkan et al.	2006/0044288 A1	3/2006	Nakamura et al.
6,592,040 B2	7/2003	Barkan et al.	2006/0221565 A1	10/2006	Doherty et al.
D479,237 S	9/2003	Juan			
D480,730 S	10/2003	Doherty et al.			
6,641,046 B2	11/2003	Durbin			

* cited by examiner

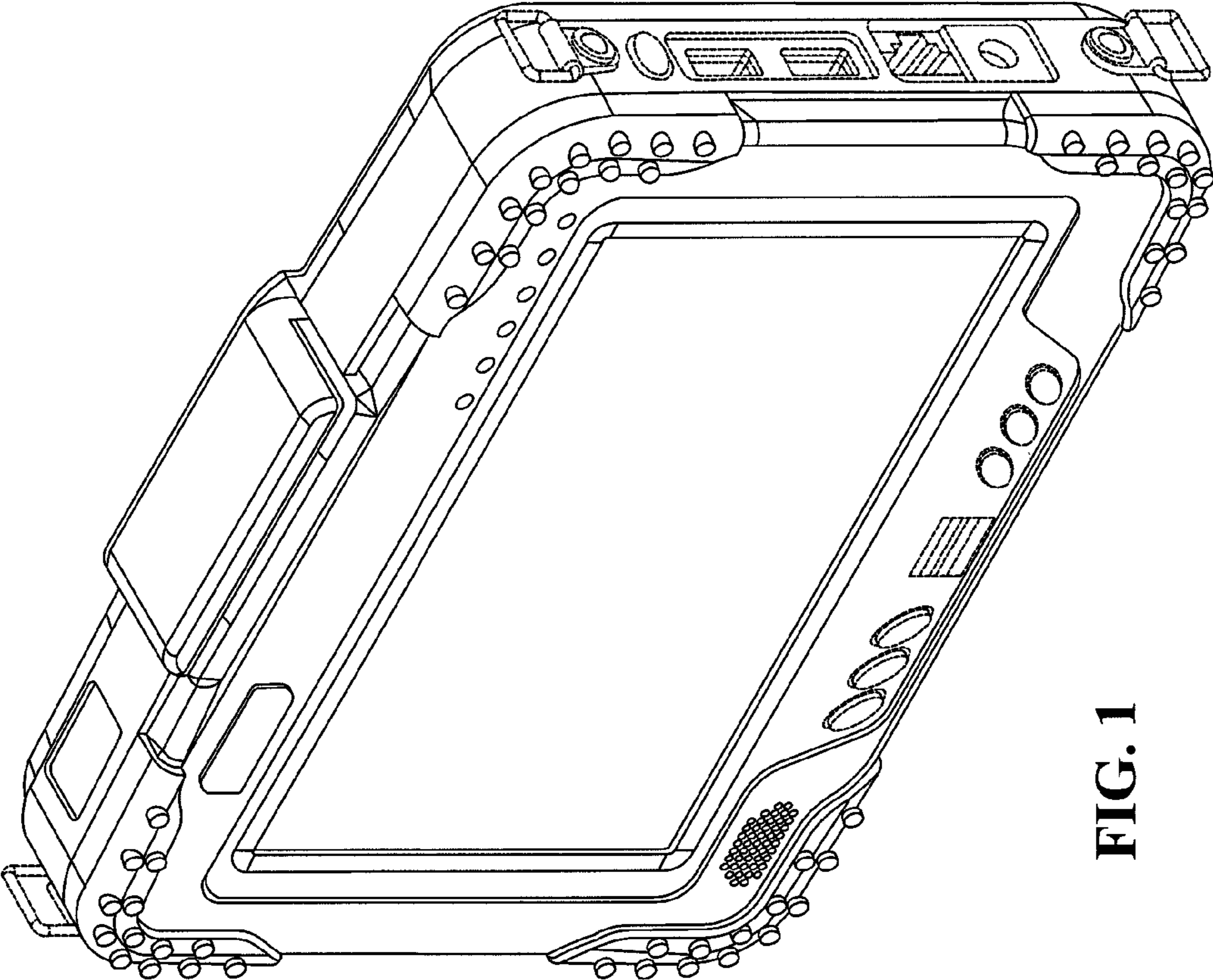


FIG. 1

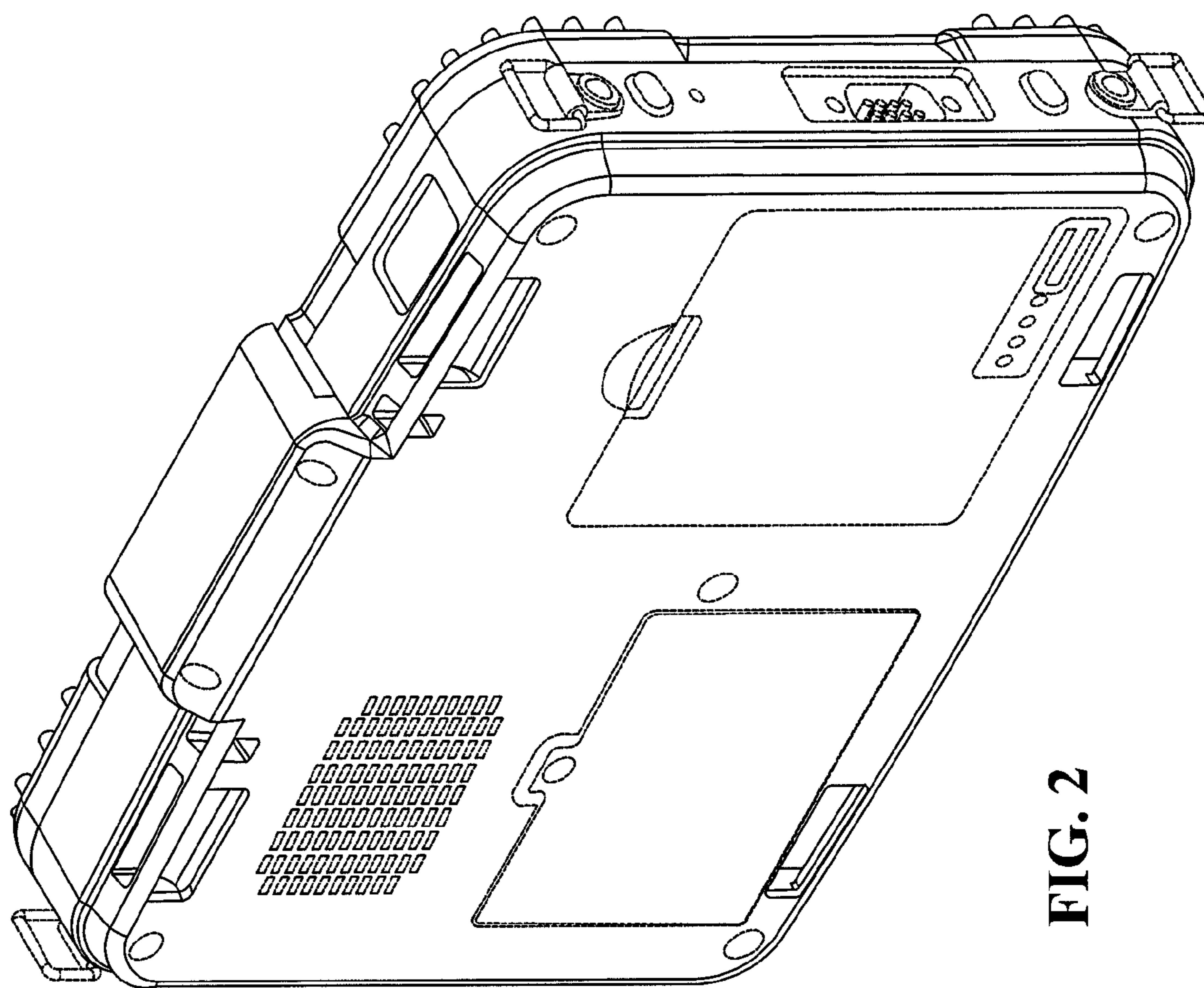


FIG. 2

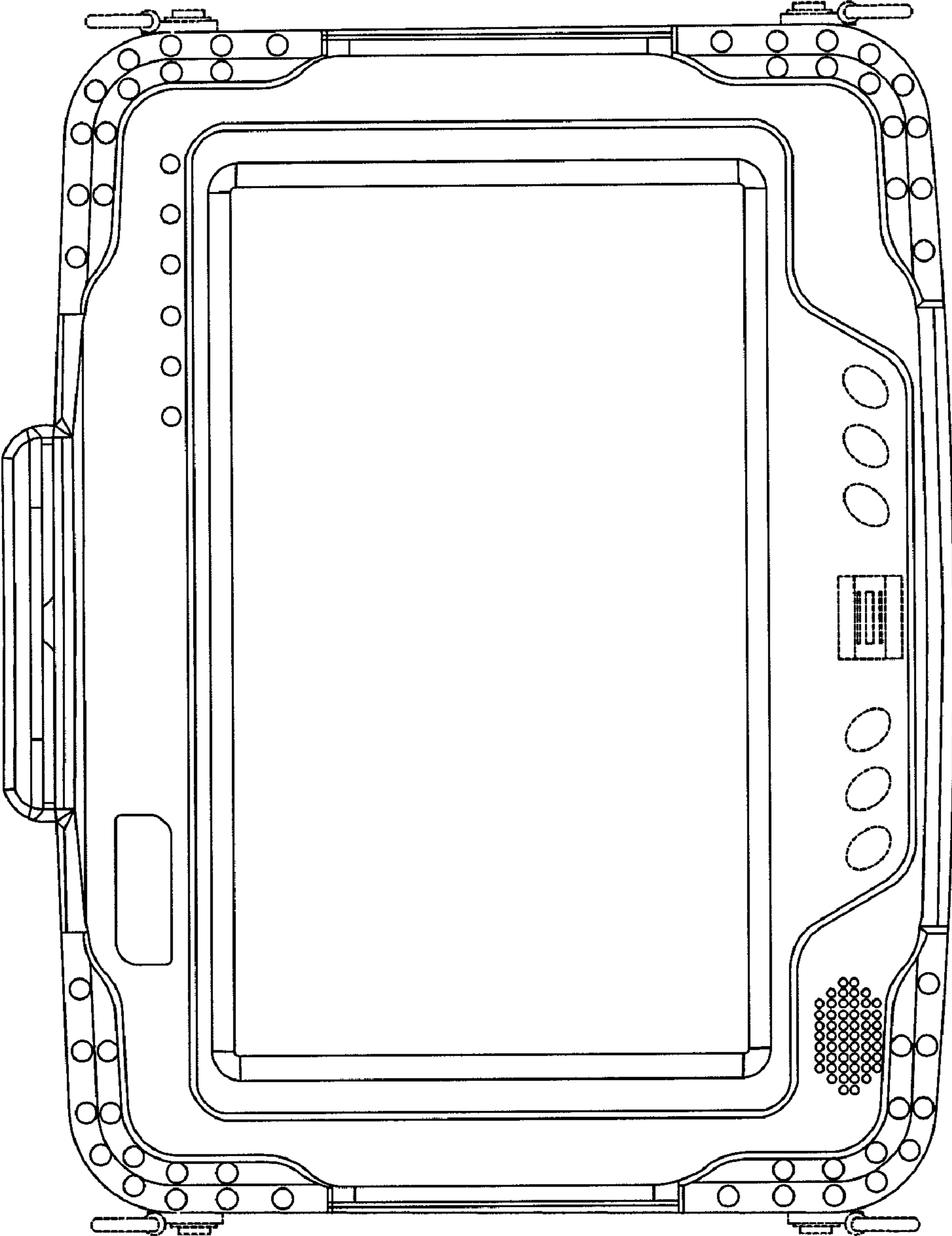


FIG. 3

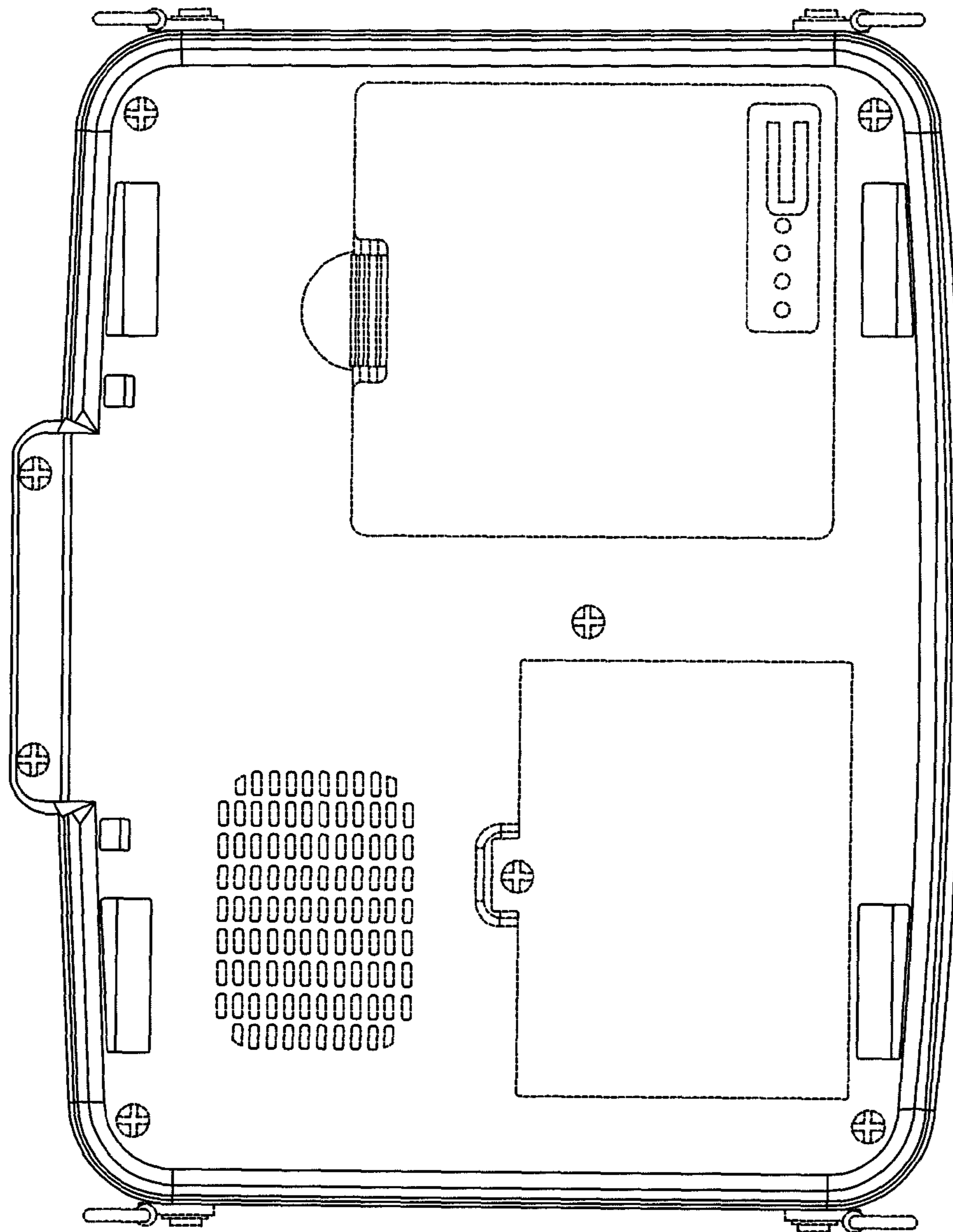


FIG. 4

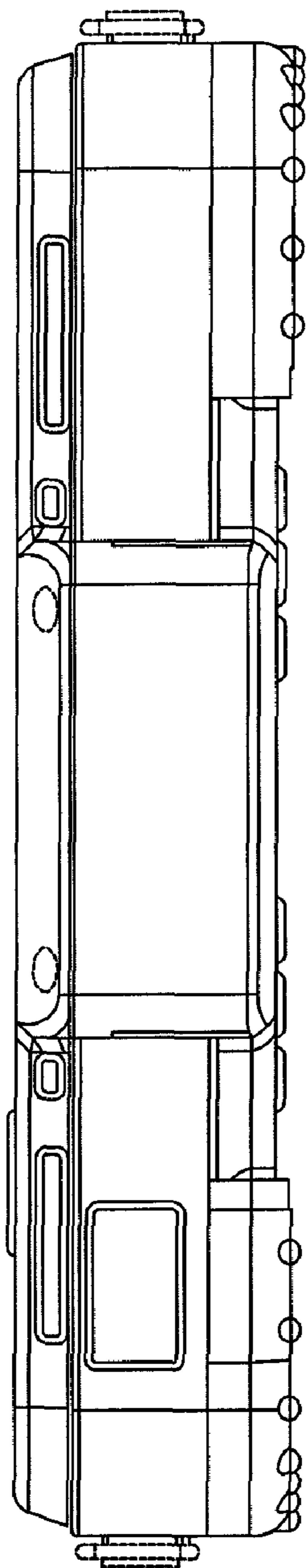


FIG. 5

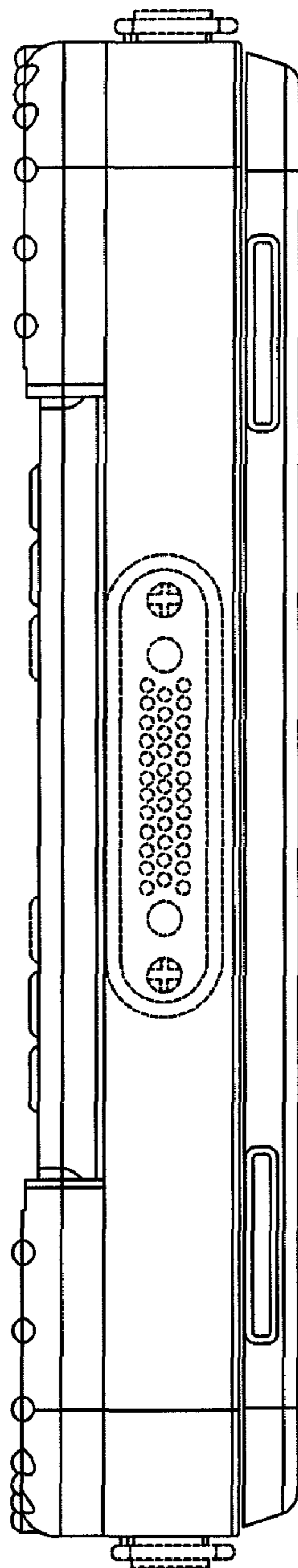


FIG. 6

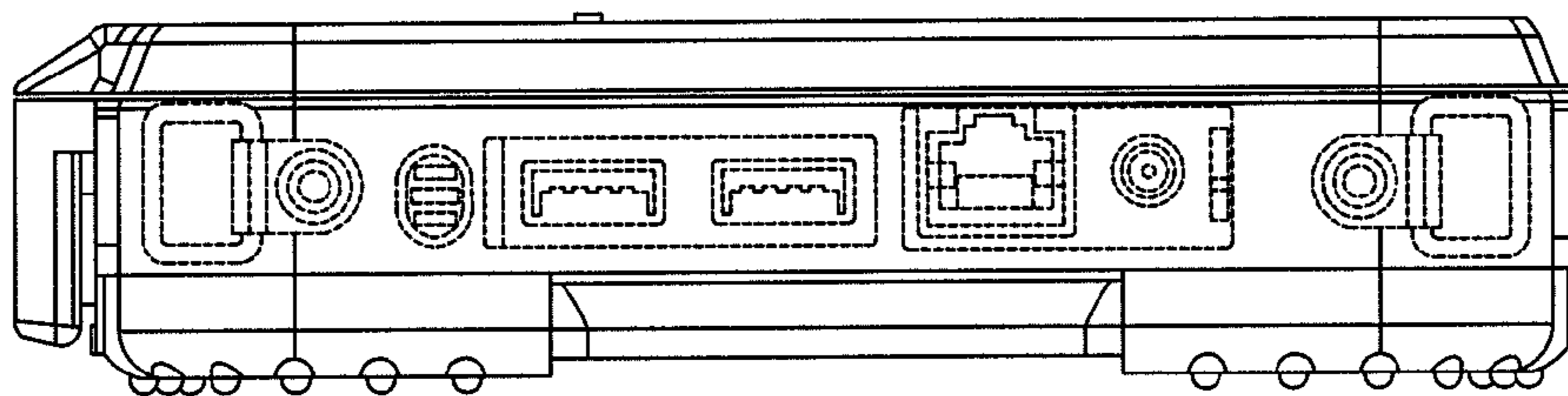


FIG. 8

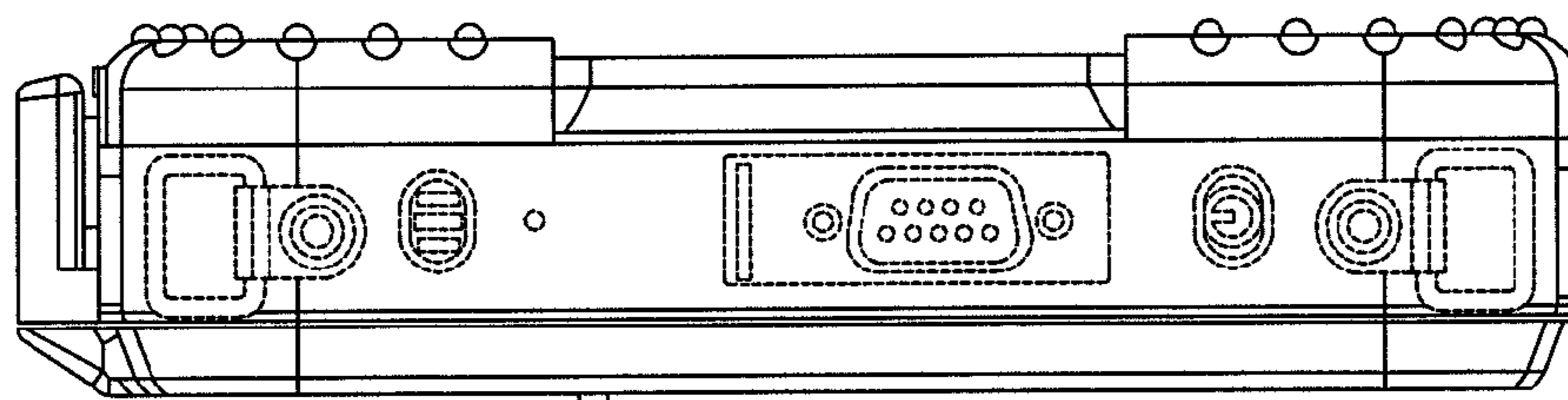


FIG. 7