

US00D638833S

(12) **United States Design Patent**
Chuang

(10) **Patent No.:** **US D638,833 S**

(45) **Date of Patent:** **** May 31, 2011**

(54) **PORTABLE COMPUTER**

(75) Inventor: **Ping-Yang Chuang**, Taipei Hsien (TW)

(73) Assignee: **Hon Hai Precision Industry Co., Ltd.**,
Tu-Cheng, New Taipei (TW)

(**) Term: **14 Years**

(21) Appl. No.: **29/366,240**

(22) Filed: **Jul. 22, 2010**

(30) **Foreign Application Priority Data**

Jan. 26, 2010 (CN) 2010 3 0302112

(51) **LOC (9) Cl.** **14-02**

(52) **U.S. Cl.** **D14/315; D14/341; D14/345**

(58) **Field of Classification Search** D14/315-328,
D14/341-345, 371; D19/26, 27; D3/303;
235/145 A, 145 R; 341/22, 23; 345/168,
345/169, 173, 87, 901-905; 361/679.01,
361/679.09, 679.17, 679.27; 400/472, 489

See application file for complete search history.

(56) **References Cited**

U.S. PATENT DOCUMENTS

D424,804 S * 5/2000 Isaacson D3/303
D448,799 S * 10/2001 Moor D19/26
6,714,403 B2 * 3/2004 Furuki et al. 361/679.09

D519,559 S * 4/2006 Mehta D19/26
7,052,195 B2 * 5/2006 Hsu 400/472
D523,473 S * 6/2006 Regala D19/26
7,063,477 B2 * 6/2006 Busam et al. 402/73
D544,539 S * 6/2007 Singh D19/27
D584,726 S * 1/2009 Morita D14/341
D600,240 S * 9/2009 Solomon et al. D14/315
D618,683 S * 6/2010 Wilson et al. D14/371
2004/0212602 A1 * 10/2004 Nako et al. 345/173
2005/0264540 A1 * 12/2005 Niwa 345/173

* cited by examiner

Primary Examiner — Freda S Nunn

(74) *Attorney, Agent, or Firm* — Clifford O. Chi

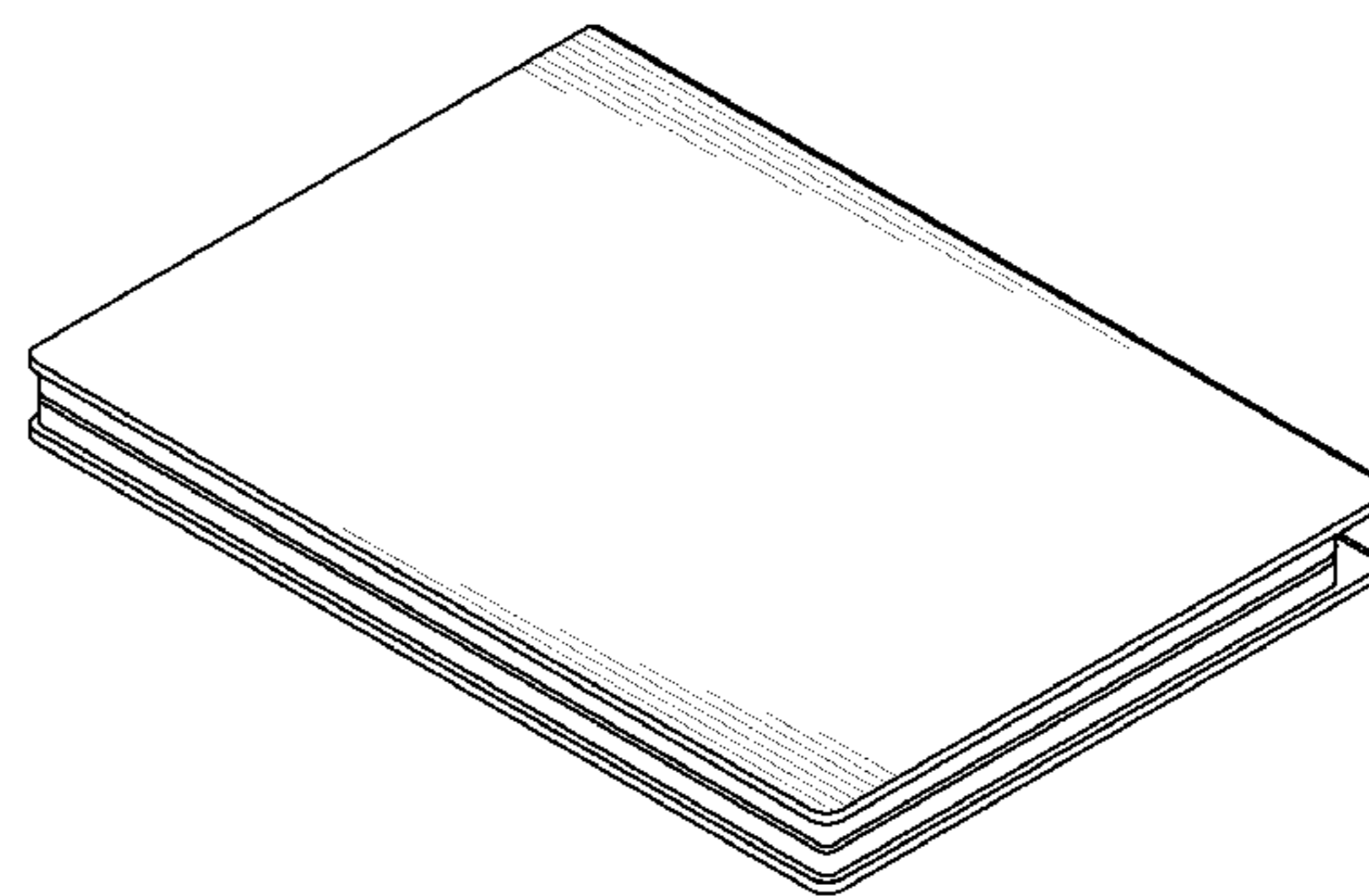
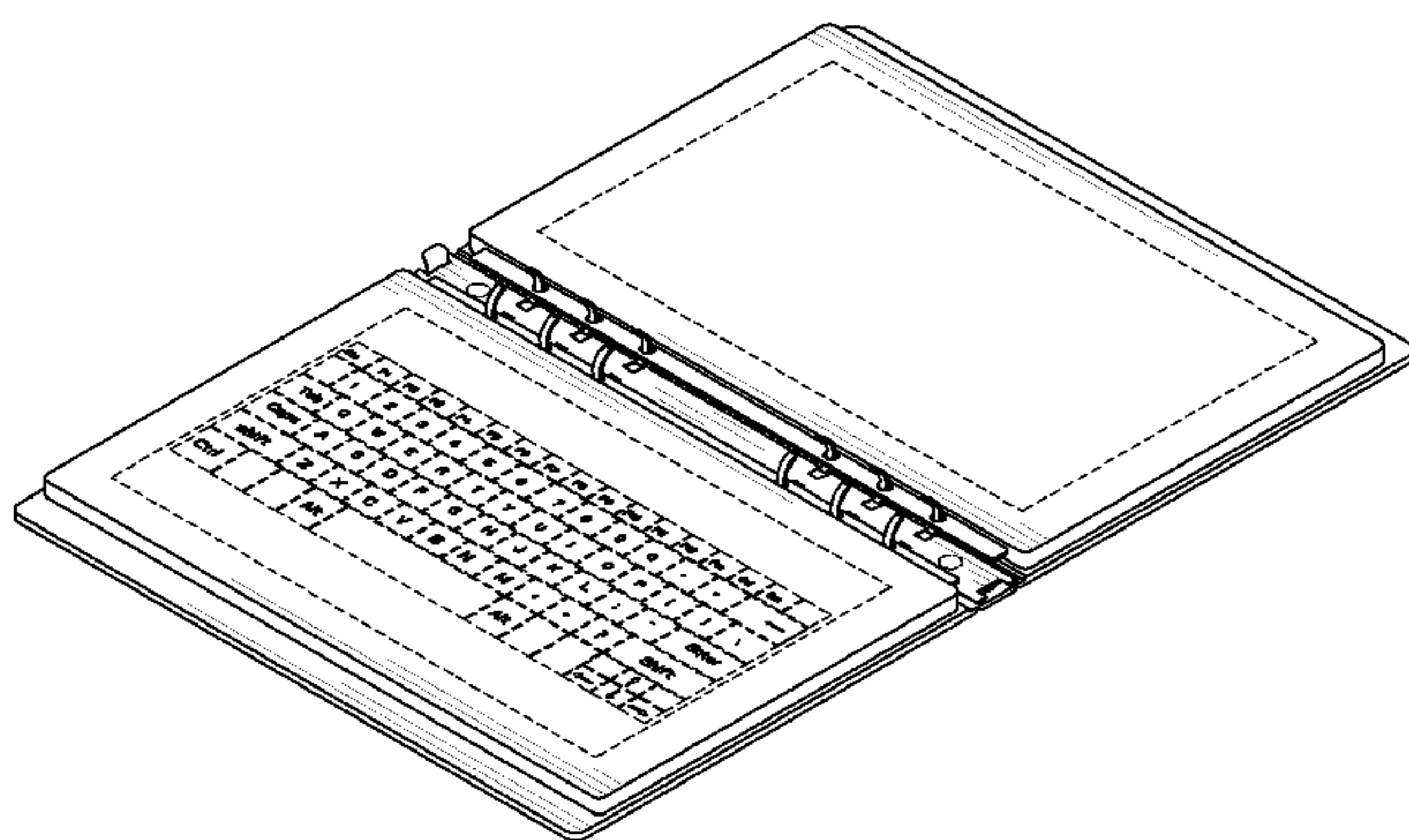
(57) **CLAIM**

The ornamental design for a portable computer, as shown and described.

DESCRIPTION

FIG. 1 is a perspective view of a portable computer showing my new design;
FIG. 2 is a front elevational view thereof;
FIG. 3 is a rear elevational view thereof;
FIG. 4 is a left side elevational view thereof;
FIG. 5 is a right side elevational view thereof;
FIG. 6 is a top plan view thereof;
FIG. 7 is a bottom plan view thereof;
FIG. 8 is a perspective view thereof in use; and,
FIG. 9 is a perspective view thereof out of use.
The broken lines are for illustrative purposes only and form no part of the claimed design.

1 Claim, 9 Drawing Sheets



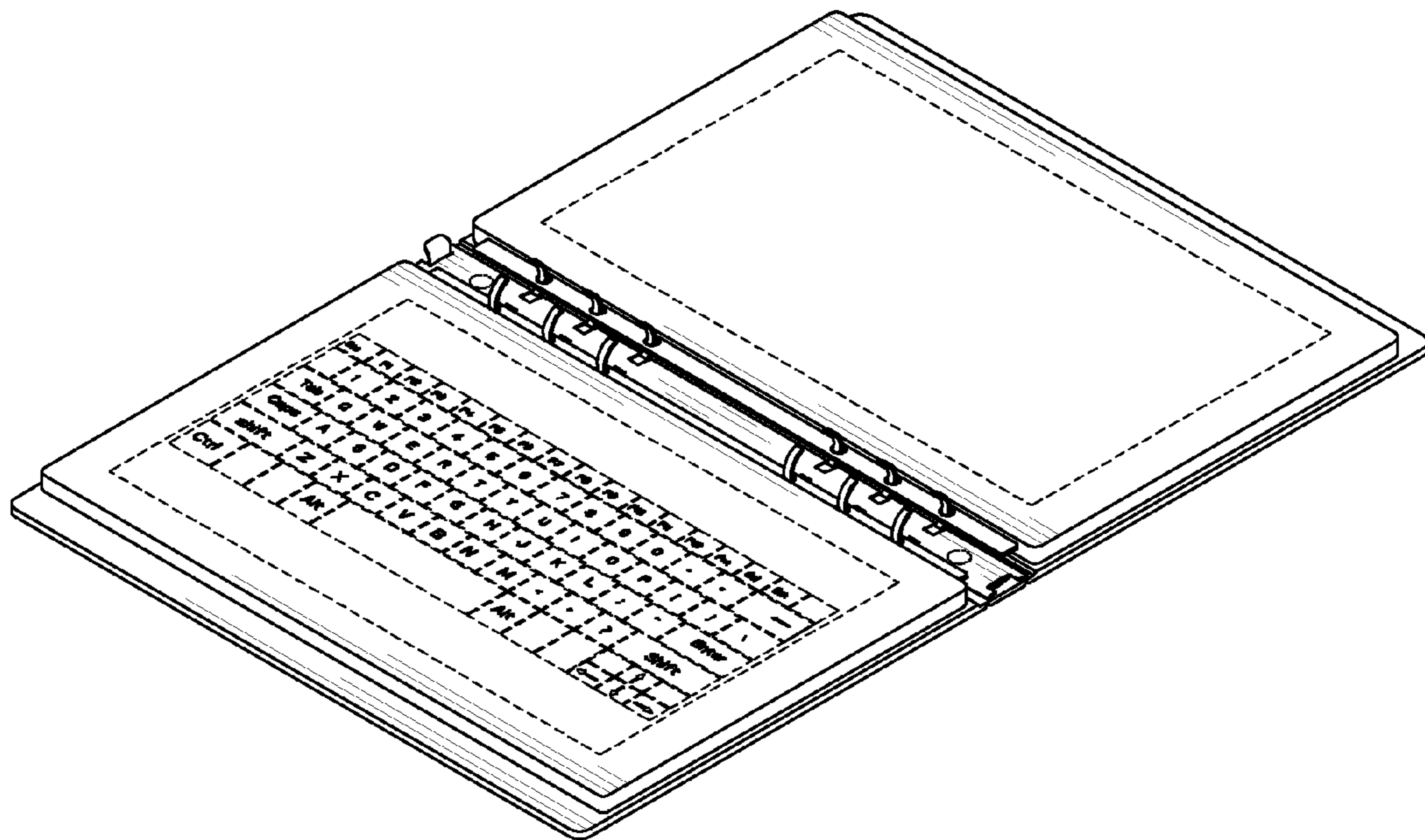


FIG. 1

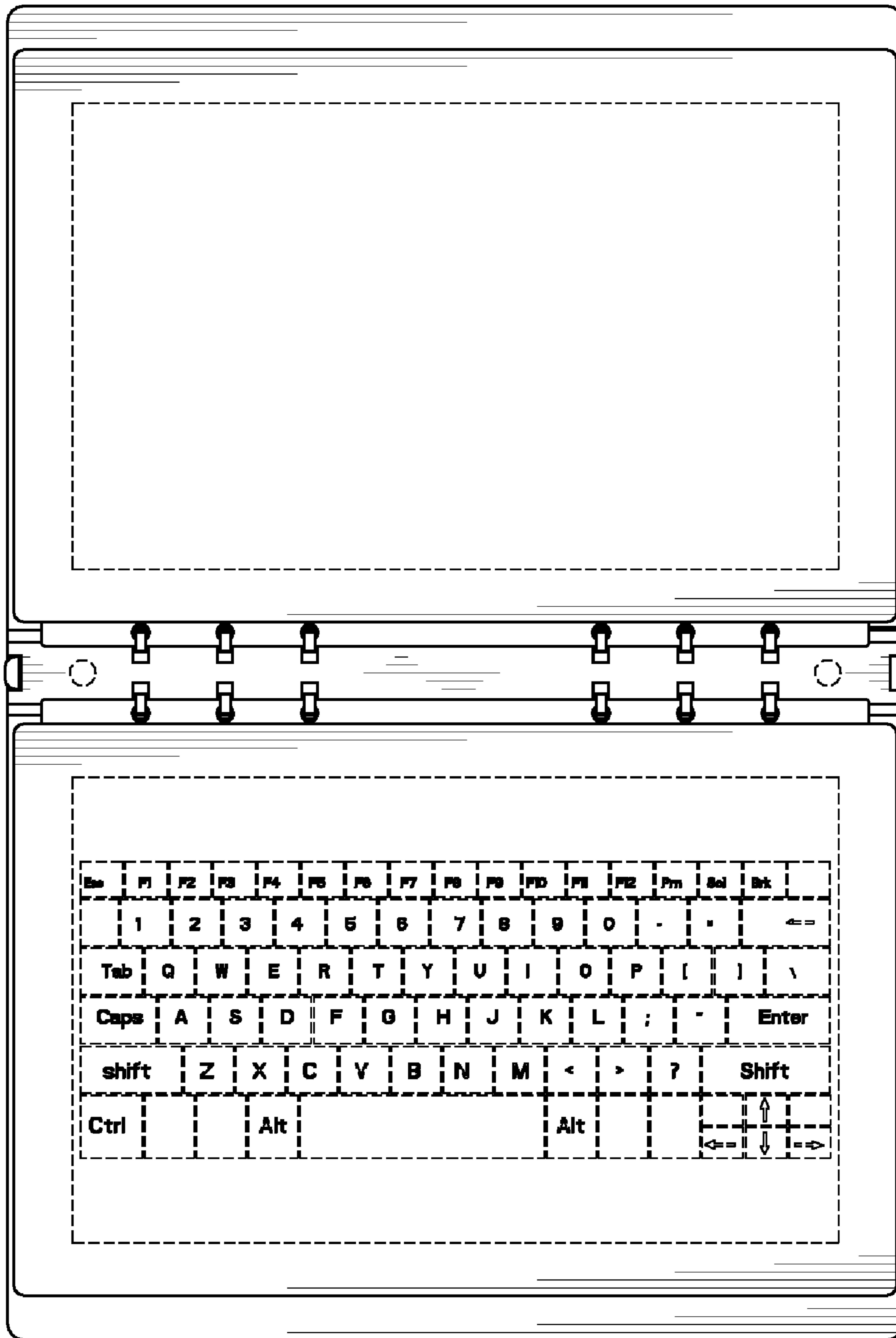


FIG. 2

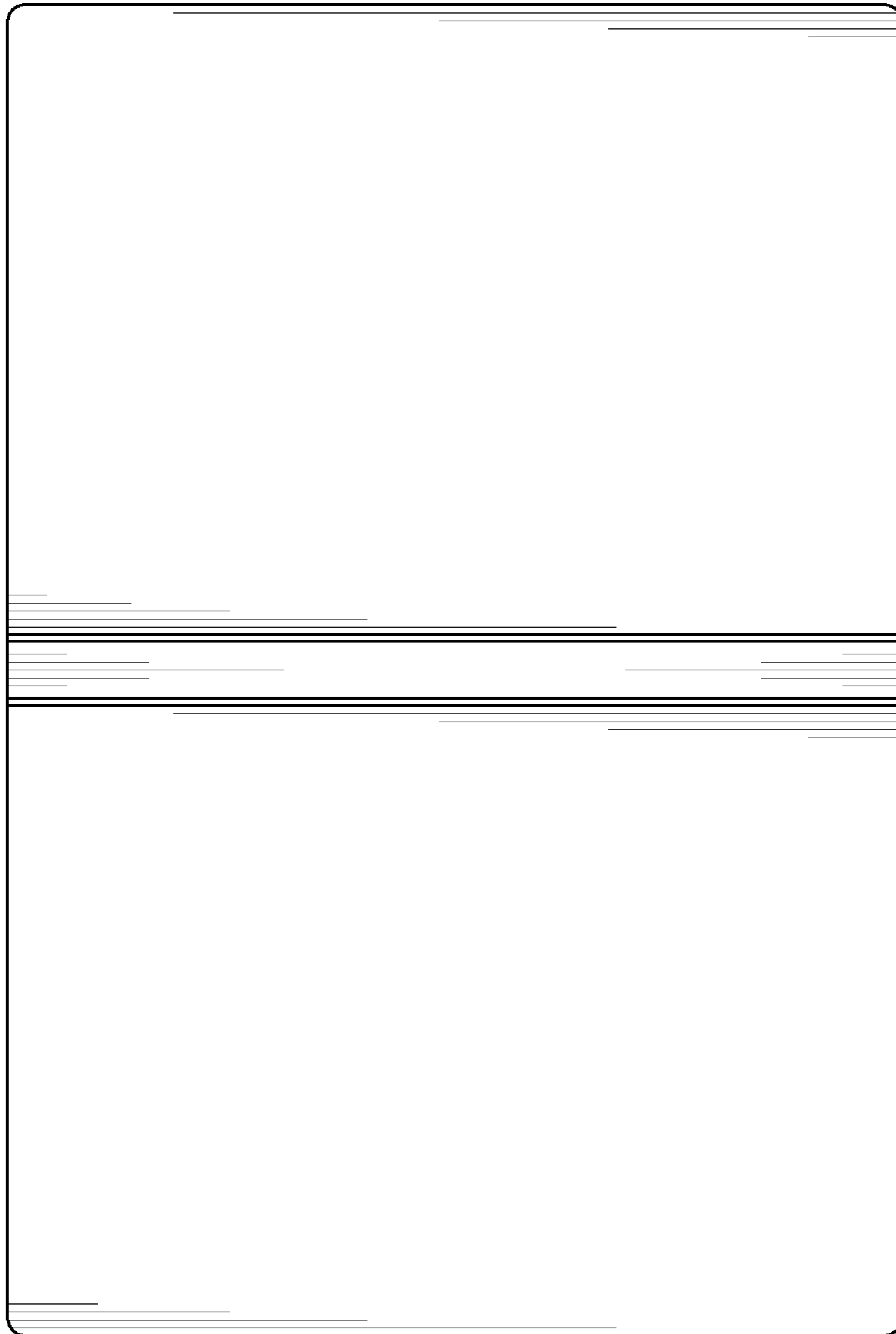


FIG. 3



FIG. 4



FIG. 5

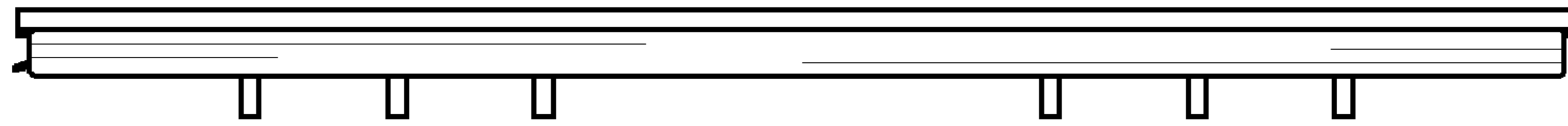


FIG. 6

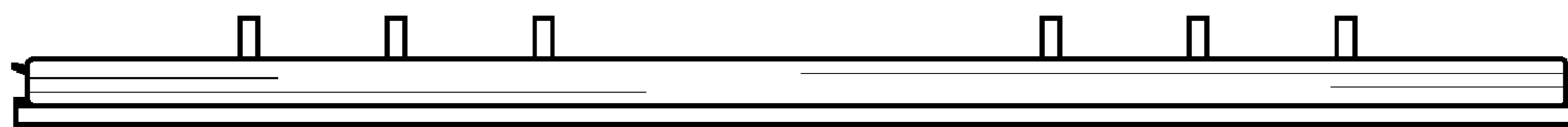


FIG. 7

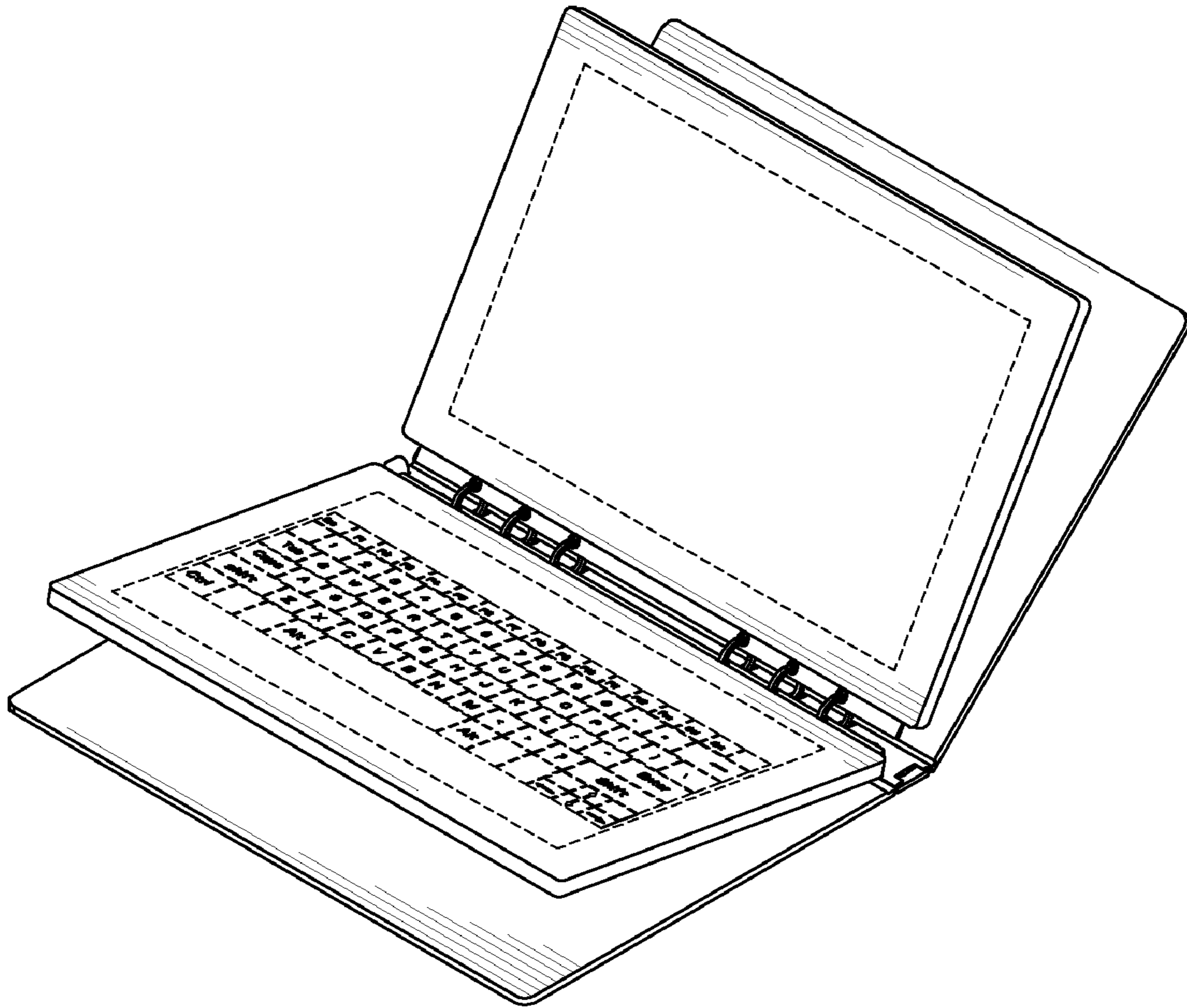


FIG. 8

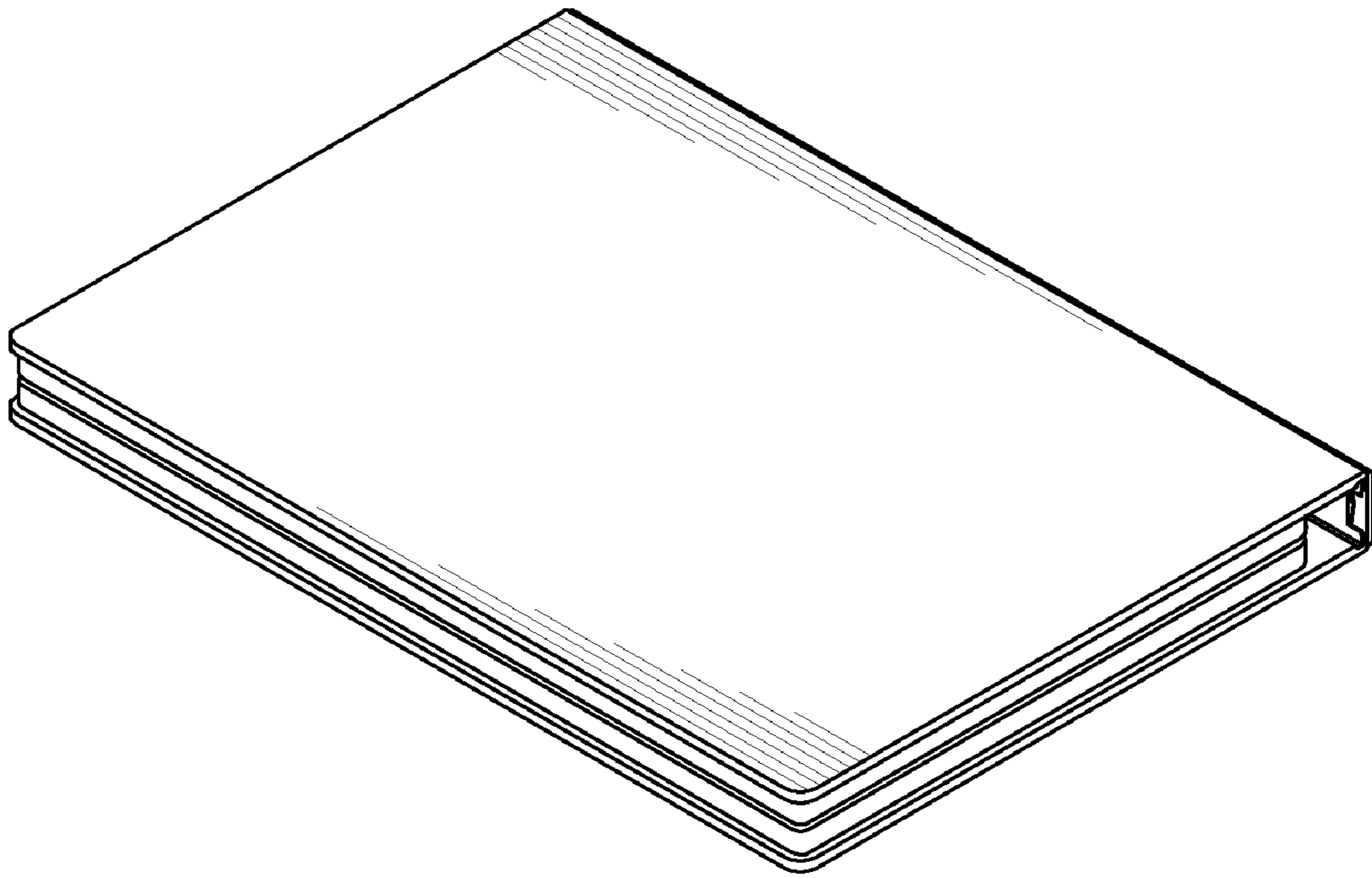


FIG. 9