



US00D638831S

(12) **United States Design Patent**
Paradise

(10) **Patent No.:** **US D638,831 S**

(45) **Date of Patent:** **** May 31, 2011**

(54) **DOCKING STATION**

(75) Inventor: **Michael F Paradise**, Chicago, IL (US)

(73) Assignee: **Motorola Mobility, Inc.**, Libertyville, IL (US)

(**) Term: **14 Years**

(21) Appl. No.: **29/376,888**

(22) Filed: **Oct. 13, 2010**

(51) **LOC (9) Cl.** **14-03**

(52) **U.S. Cl.** **D14/253**

(58) **Field of Classification Search** D14/140,
D14/142, 149, 217, 240, 251–253, 434, 447,
D14/452, 454; D8/363, 373; D12/415;
248/206.2–206.4, 220.21, 279.1; 379/426,
379/446, 454, 455; D13/107–108; D16/242

See application file for complete search history.

(56) **References Cited**

U.S. PATENT DOCUMENTS

D380,752	S	*	7/1997	Hanson	D14/144
D397,996	S	*	9/1998	Smith	D13/168
5,952,814	A	*	9/1999	Van Lerberghe	320/108
D477,823	S	*	7/2003	Lavello, Sr.	D14/253
D488,145	S	*	4/2004	Abdelal	D14/144
D495,336	S	*	8/2004	Andre et al.	D14/434
D510,091	S	*	9/2005	Mori et al.	D14/434
D532,005	S	*	11/2006	Leith	D14/253
D544,899	S	*	6/2007	Li et al.	D16/242
D551,658	S	*	9/2007	Hussaini et al.	D14/217
D558,739	S	*	1/2008	Andre et al.	D14/217
D571,360	S	*	6/2008	Andre et al.	D14/217
D580,856	S	*	11/2008	Haspil et al.	D13/108
D582,887	S	*	12/2008	Poandl	D14/172
D590,770	S	*	4/2009	Moss	D13/108
D592,187	S	*	5/2009	Ledbetter et al.	D14/217

(Continued)

OTHER PUBLICATIONS

Motorola SD4505, <URL:http://www.101phones.com/details/461/motorola-sd4505.html>, retrieved from internet Jan. 11, 2011.*

(Continued)

Primary Examiner — Robert M Spear
Assistant Examiner — Carla Jobe Wright

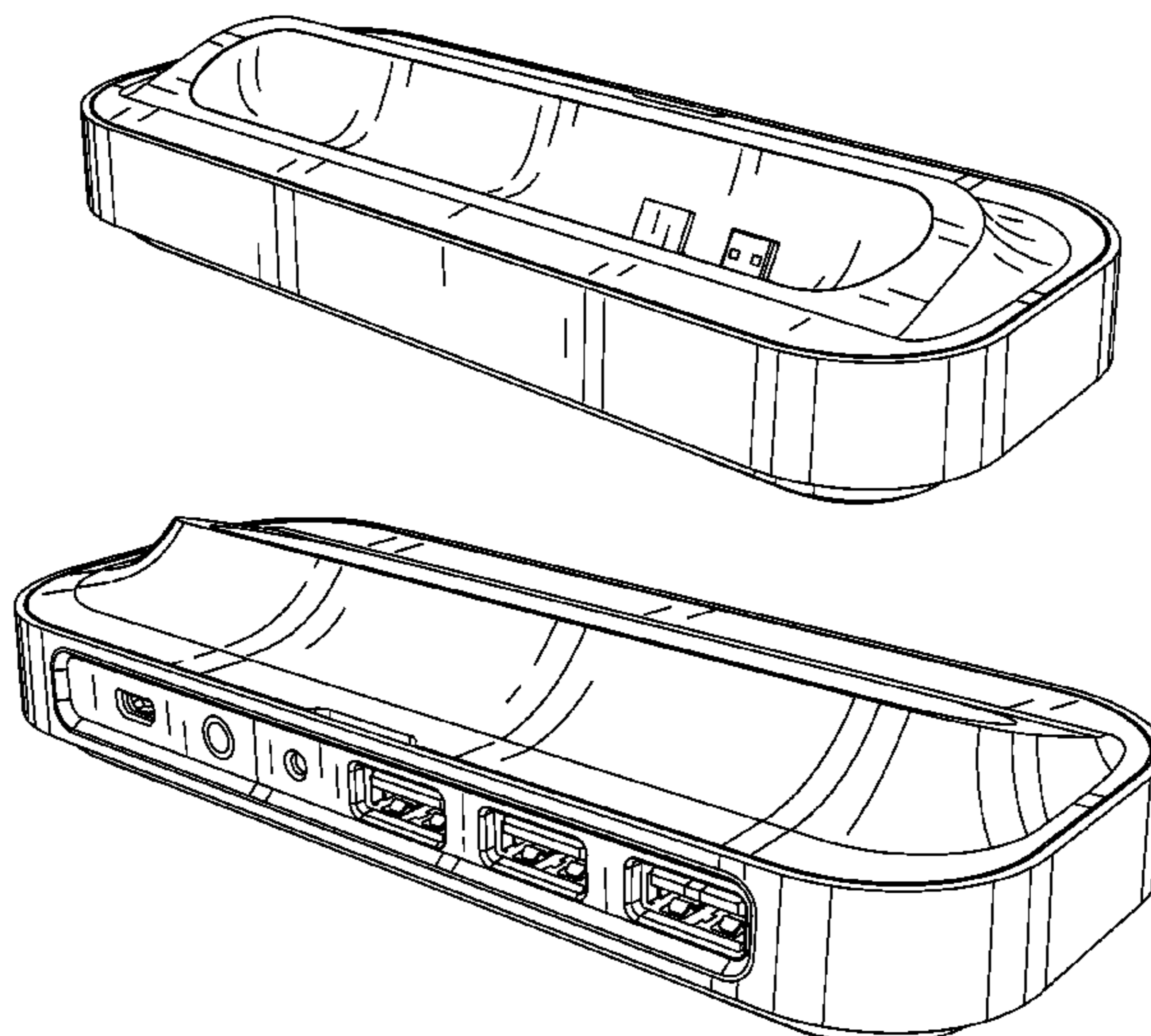
(57) **CLAIM**

The ornamental design for a docking station, as shown and described.

DESCRIPTION

FIG. 1 is a front perspective view of a first embodiment of an ornamental design for a docking station;
 FIG. 2 is a rear perspective view of the first embodiment thereof;
 FIG. 3 is a top view of the first embodiment thereof;
 FIG. 4 is a bottom view of the first embodiment thereof;
 FIG. 5 is a first side view of the first embodiment thereof;
 FIG. 6 is a second side view of the first embodiment thereof;
 FIG. 7 is a rear view of the first embodiment thereof; and
 FIG. 8 is a front view of the first embodiment thereof.
 FIG. 9 is a front perspective view of a second embodiment of an ornamental design for a docking station;
 FIG. 10 is a rear perspective view of the second embodiment thereof;
 FIG. 11 is a top view of the second embodiment thereof;
 FIG. 12 is a bottom view of the second embodiment thereof;
 FIG. 13 is a first side view of the second embodiment thereof;
 FIG. 14 is a second side view of the second embodiment thereof;
 FIG. 15 is a rear view of the second embodiment thereof; and,
 FIG. 16 is a front view of the second embodiment thereof.
 The broken lines shown in FIGS. 1-8 that are immediately adjacent to the shaded areas and that define unshaded regions represent the bounds of the claim of the first embodiment. All other broken lines are directed to environment and are for illustrative purposes only. The broken lines form no part of the claim.

1 Claim, 10 Drawing Sheets



US D638,831 S

Page 2

U.S. PATENT DOCUMENTS

D597,081 S * 7/2009 Andre et al. D14/217
7,580,255 B2 * 8/2009 Crooijmans et al. 361/679.56
D599,784 S * 9/2009 Hansen et al. D14/217
D603,333 S * 11/2009 Fahrendorff et al. D13/107
D610,984 S * 3/2010 Khan et al. D13/108
D610,985 S * 3/2010 Fahrendorff D13/108
7,719,830 B2 * 5/2010 Howarth et al. 361/679.41
D623,188 S * 9/2010 Son et al. D14/434

OTHER PUBLICATIONS

Motorola Droid 2 Multimedia Desktop Charging Station Dock,
<URL:http://www.accessorygeeks.com/verizon-motorola-droid-2-station-dock-motdrddock-blk.html?utm_source=google&utm_medium=comparisonshopping&utm_term=MOTOROLA&utm_campaign=MISC&utm_content=MOTDRDDOCK>, retrieved
from internet Jan. 11, 2011.*

* cited by examiner

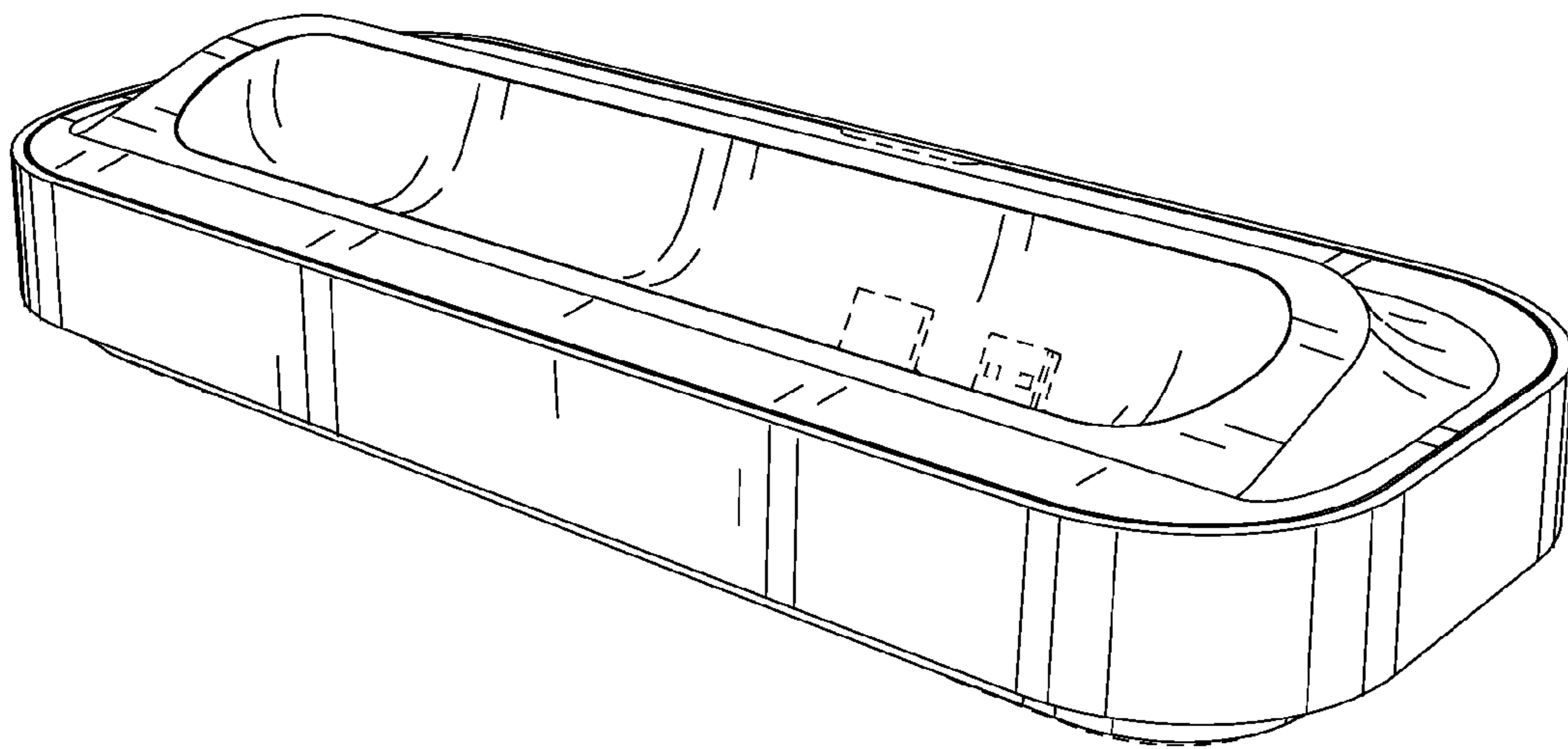


FIG. 1

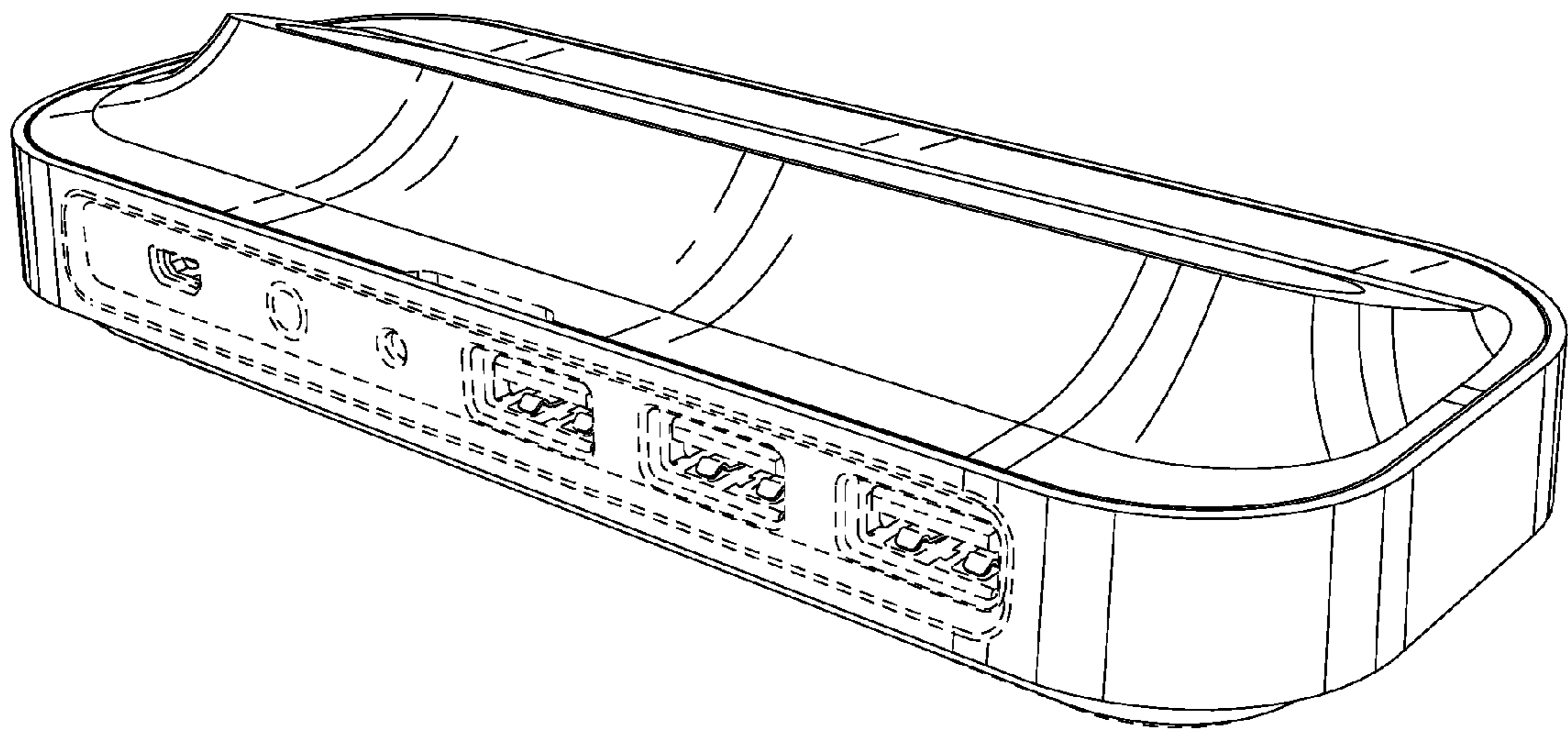


FIG. 2

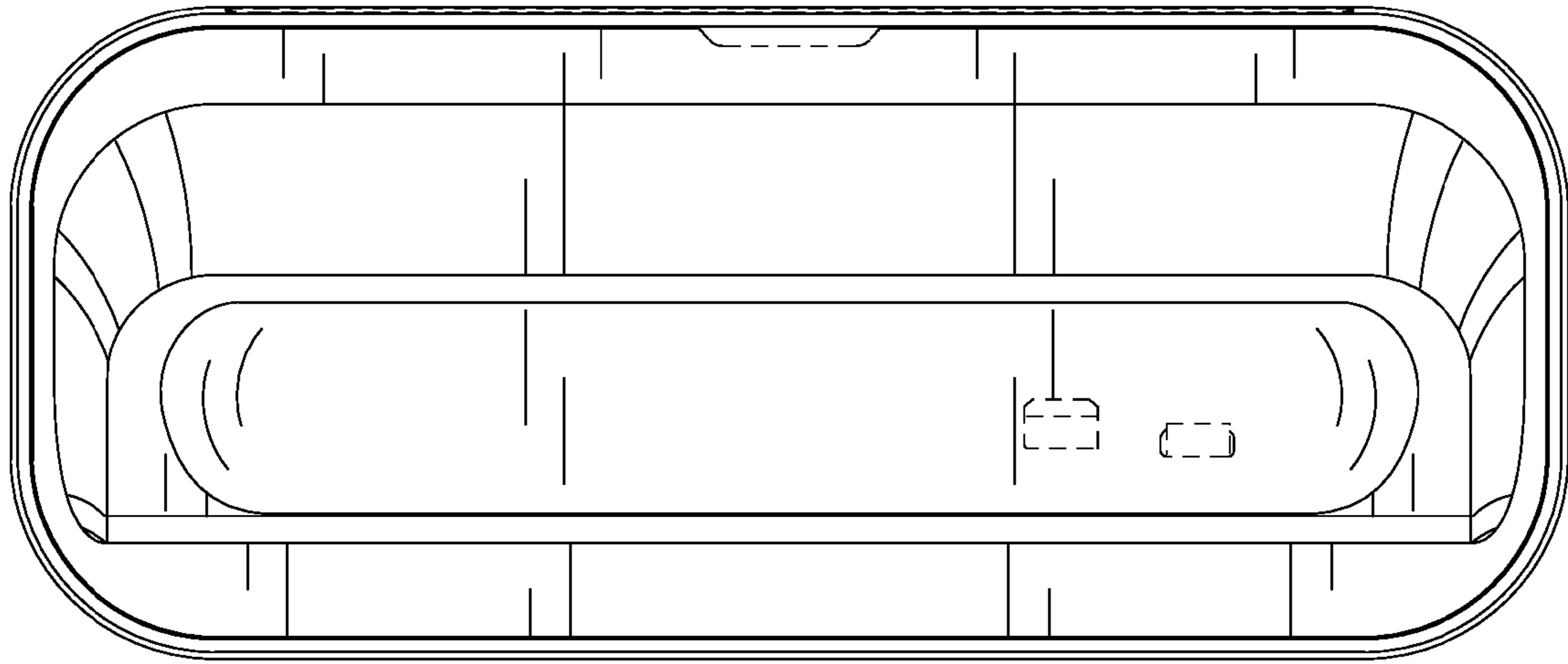


FIG. 3

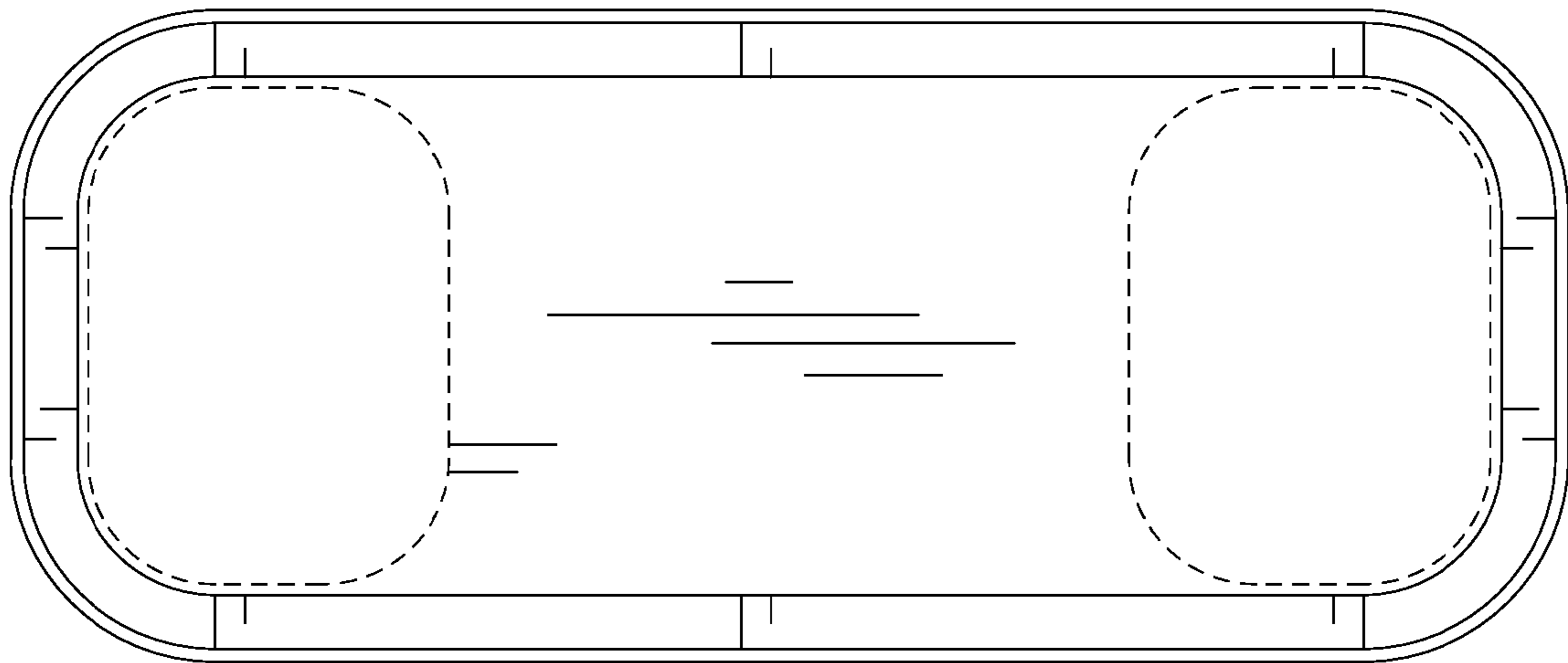


FIG. 4

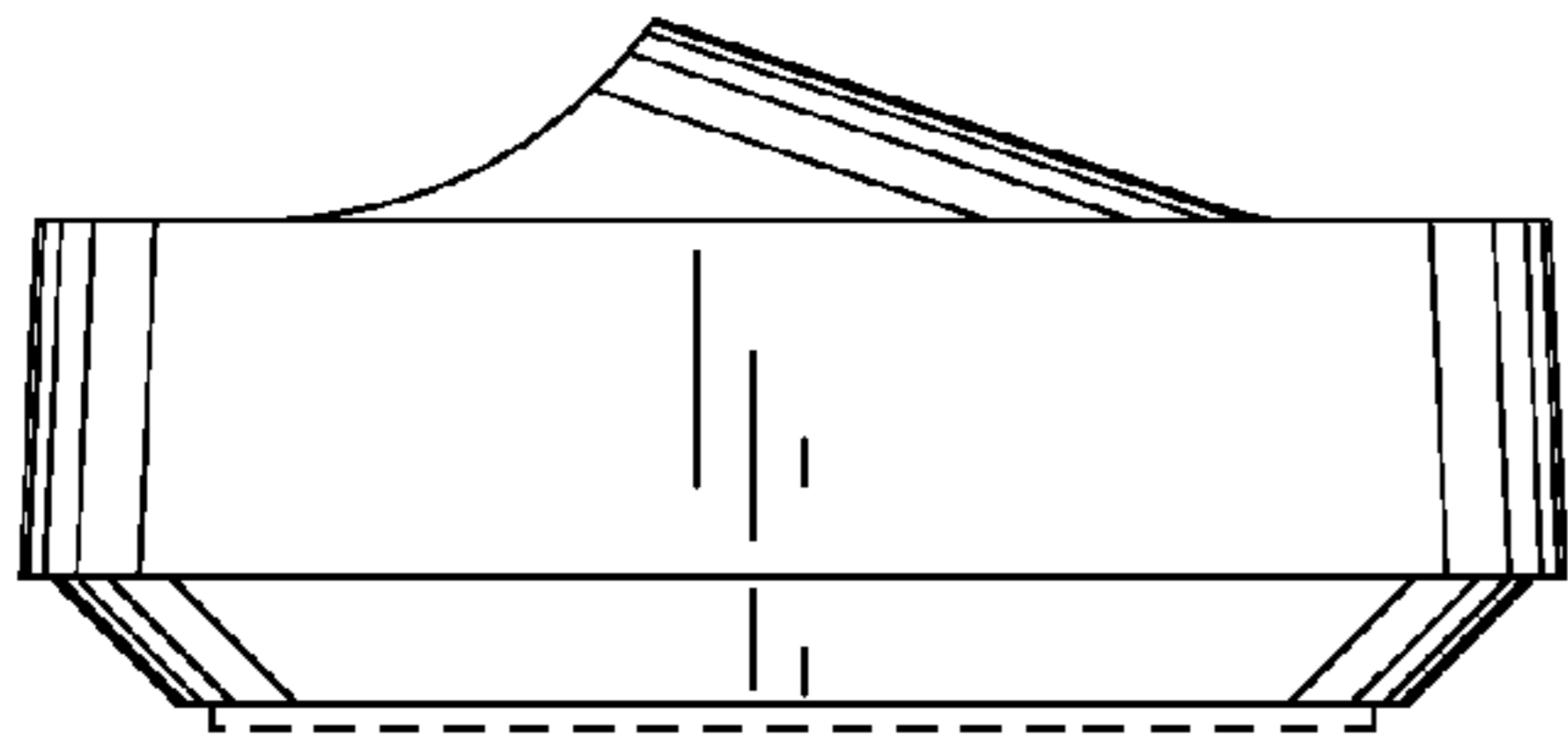


FIG. 5

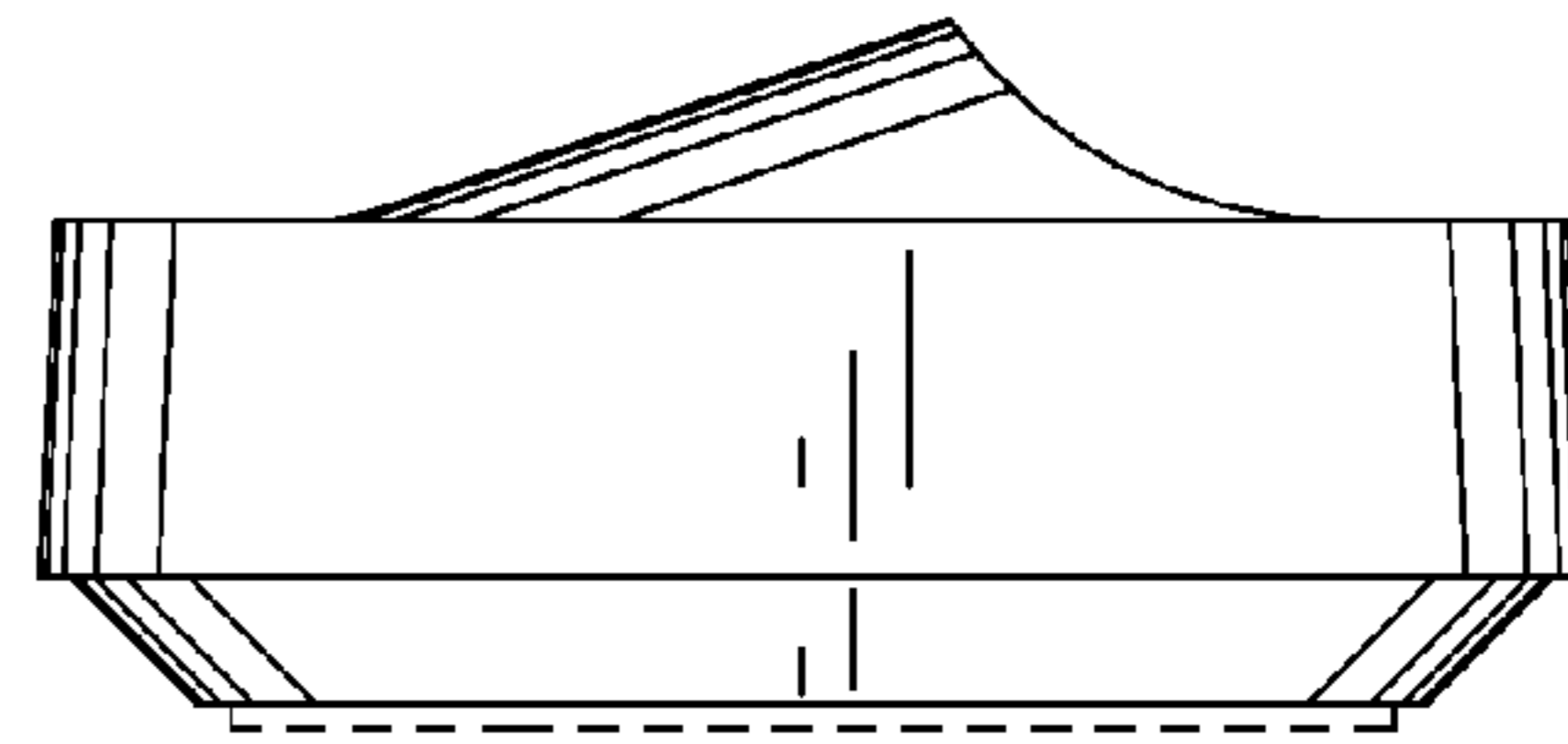


FIG. 6

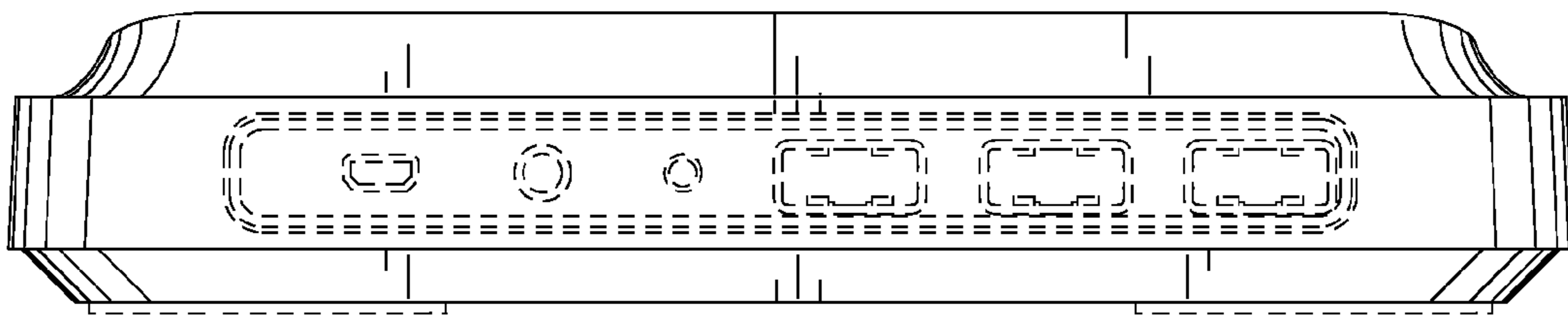


FIG. 7

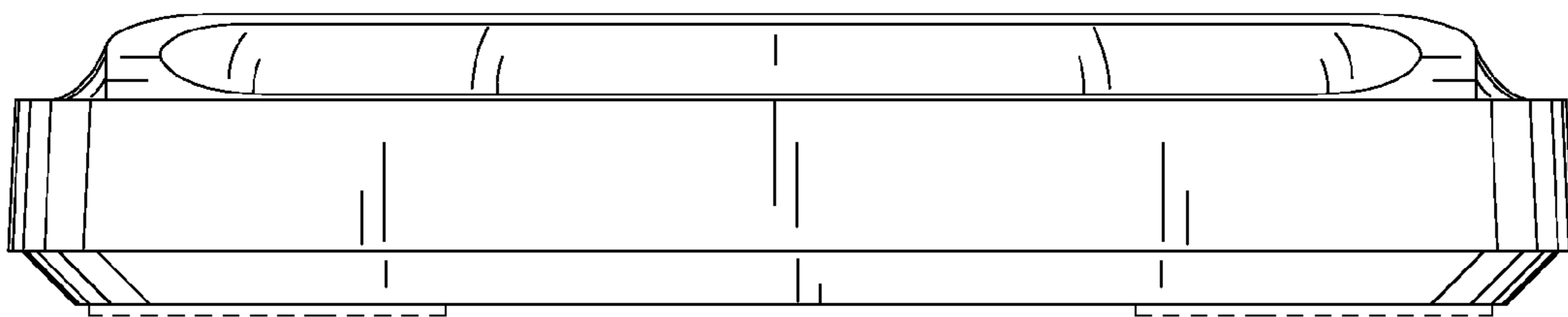


FIG. 8

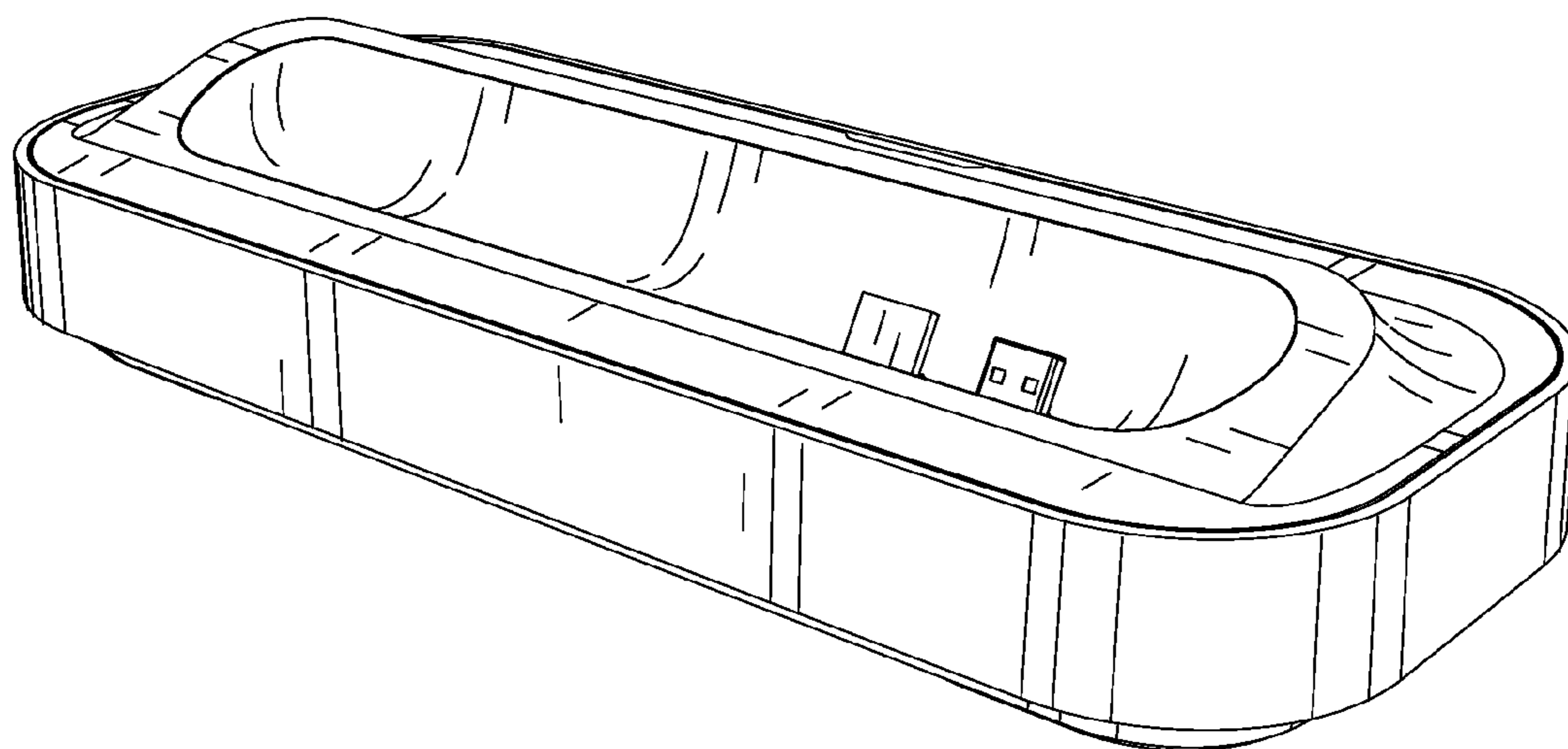


FIG. 9

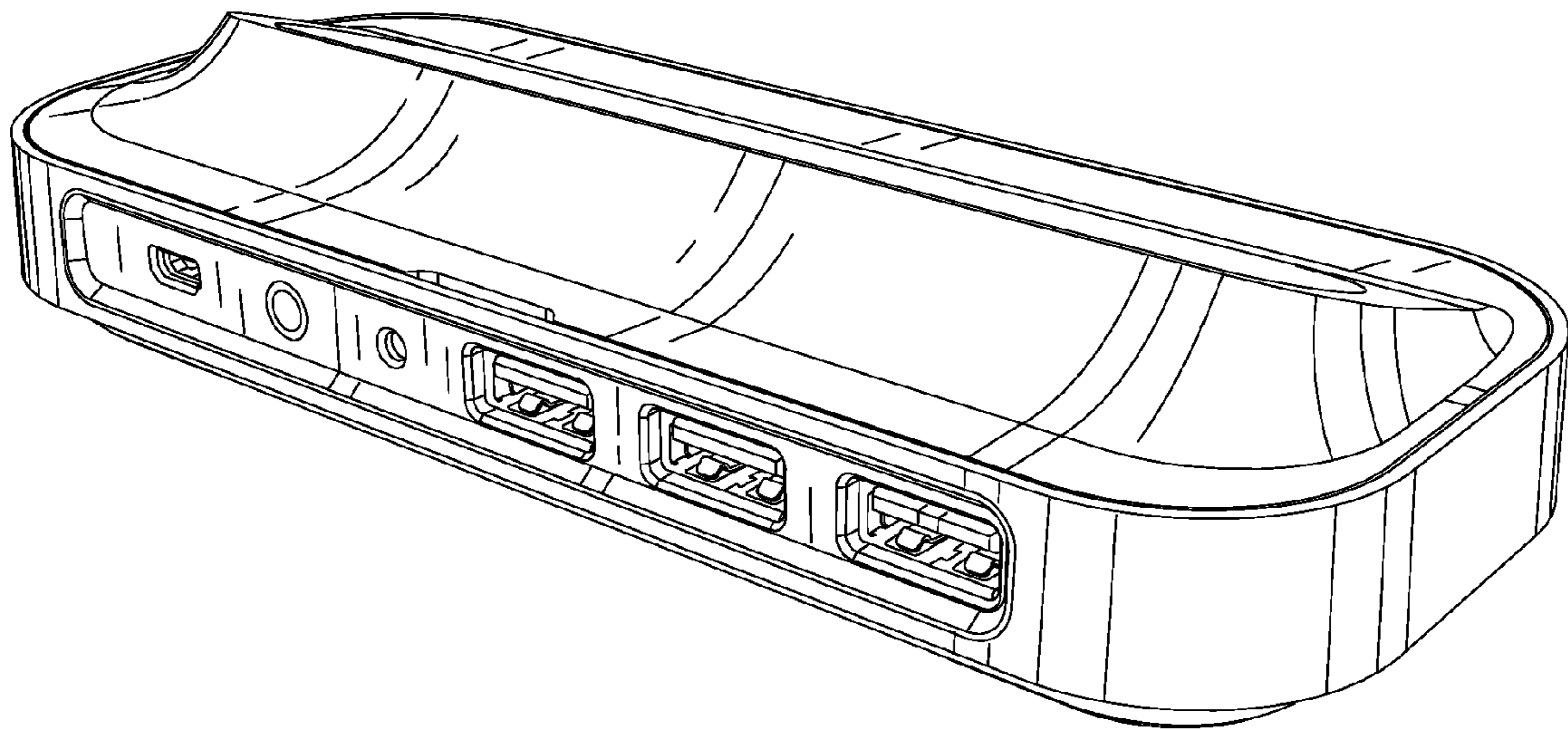


FIG. 10

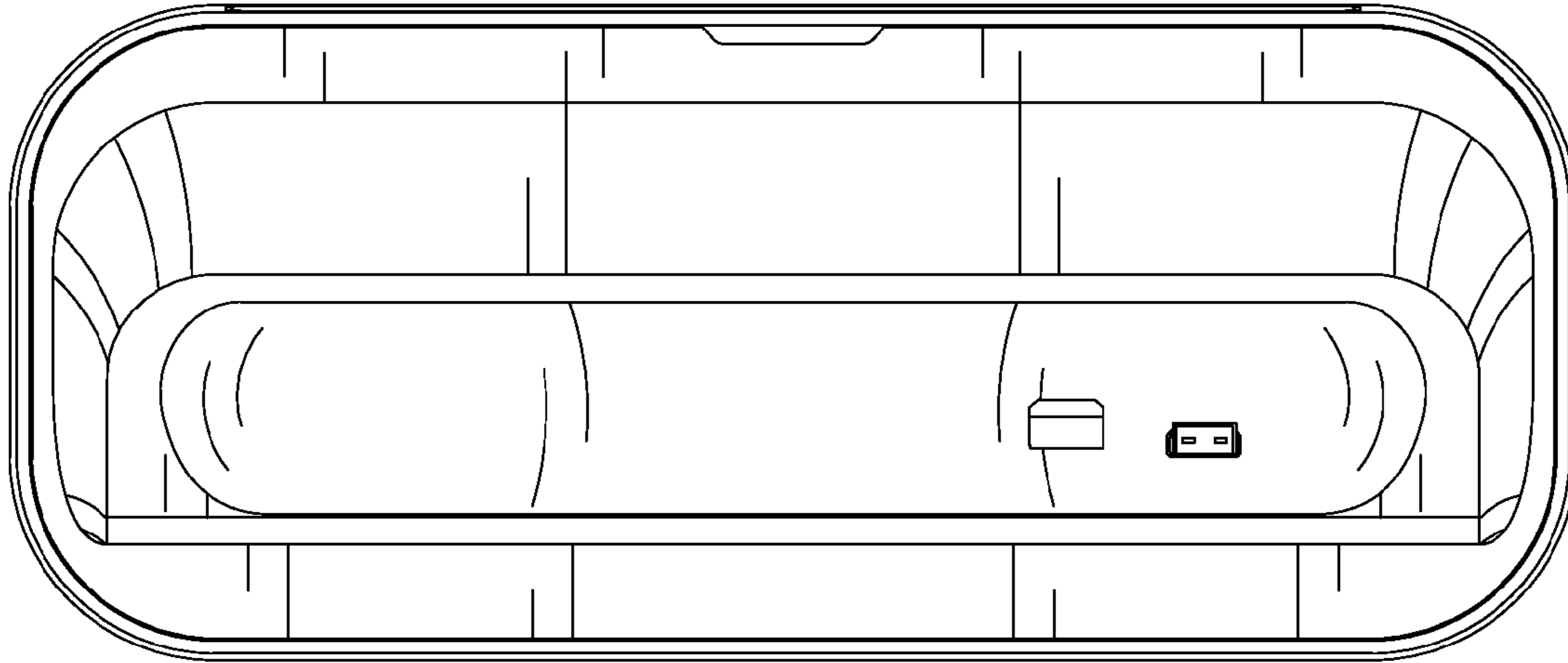


FIG. 11

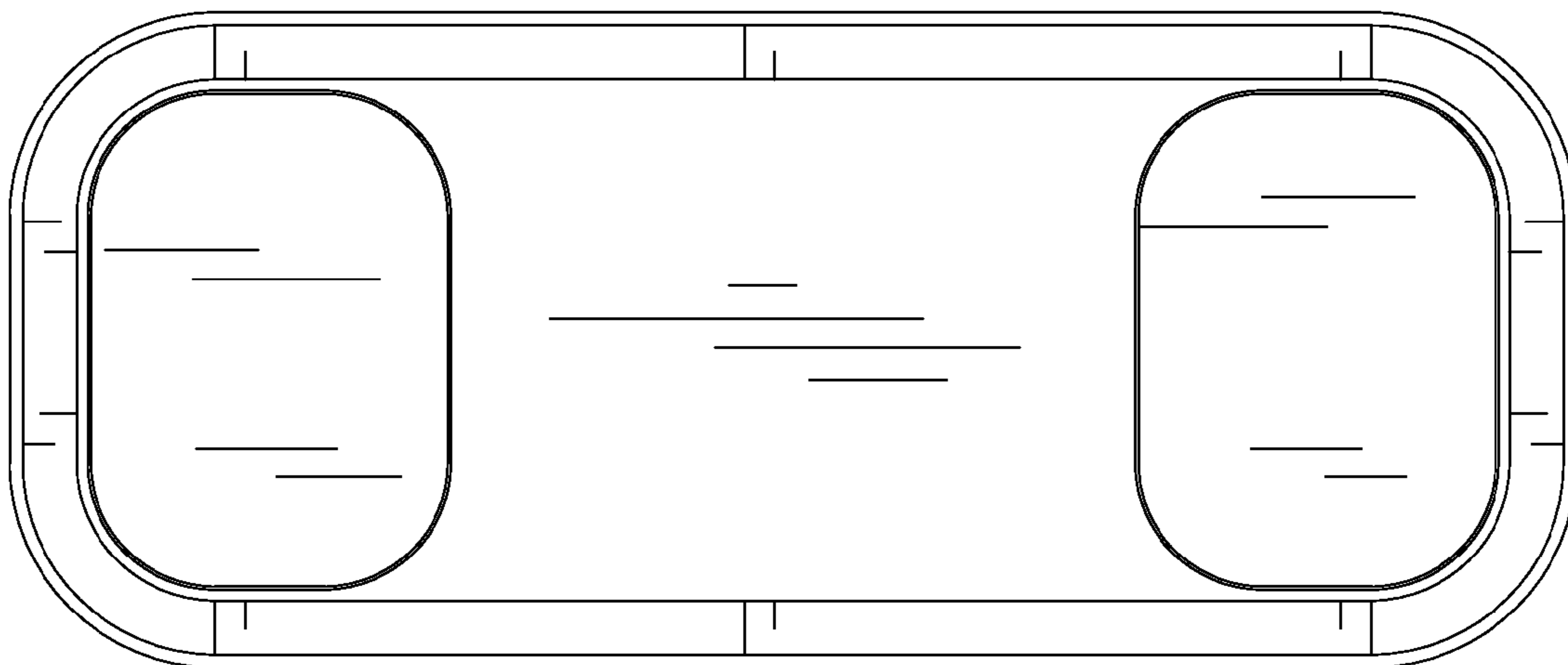


FIG. 12

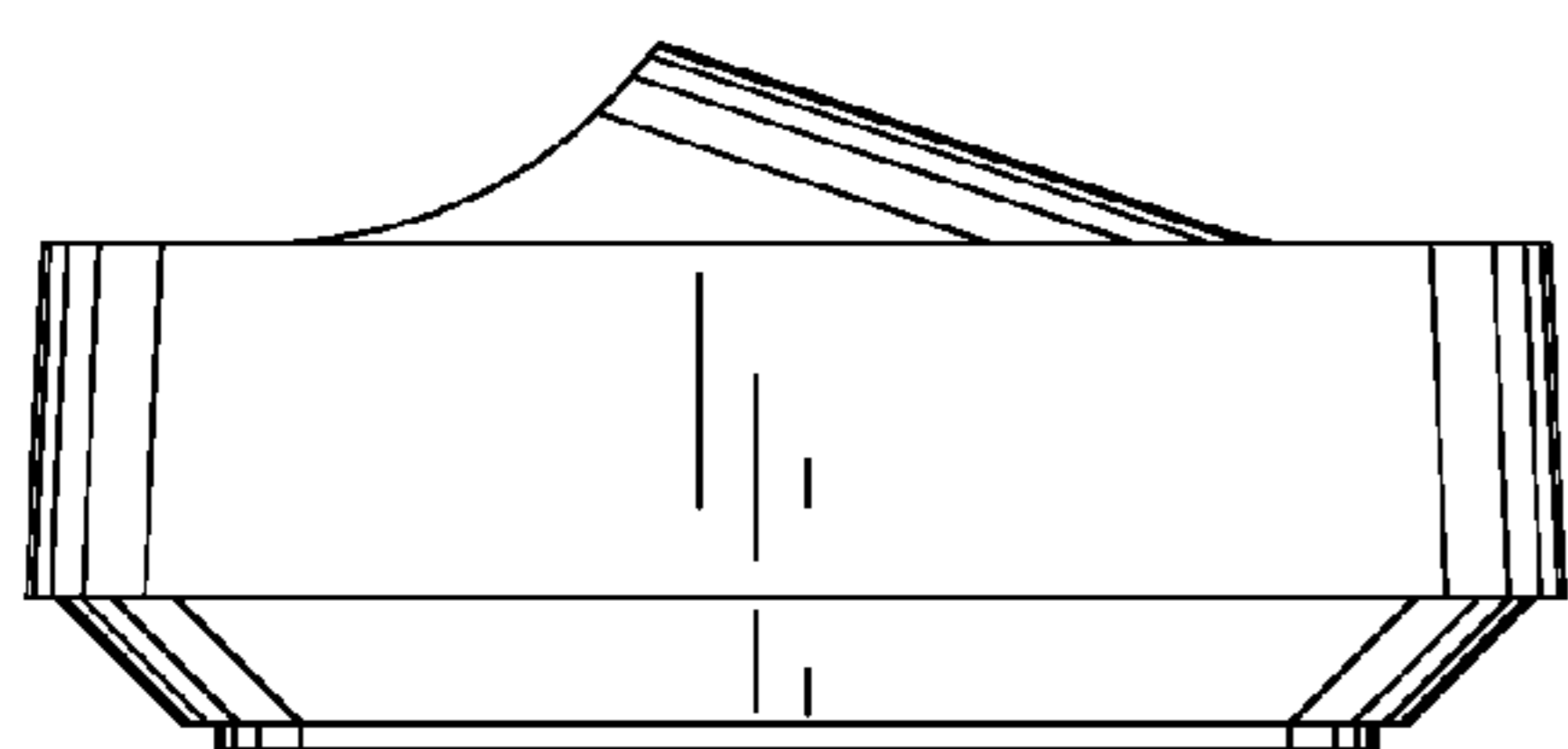


FIG. 13

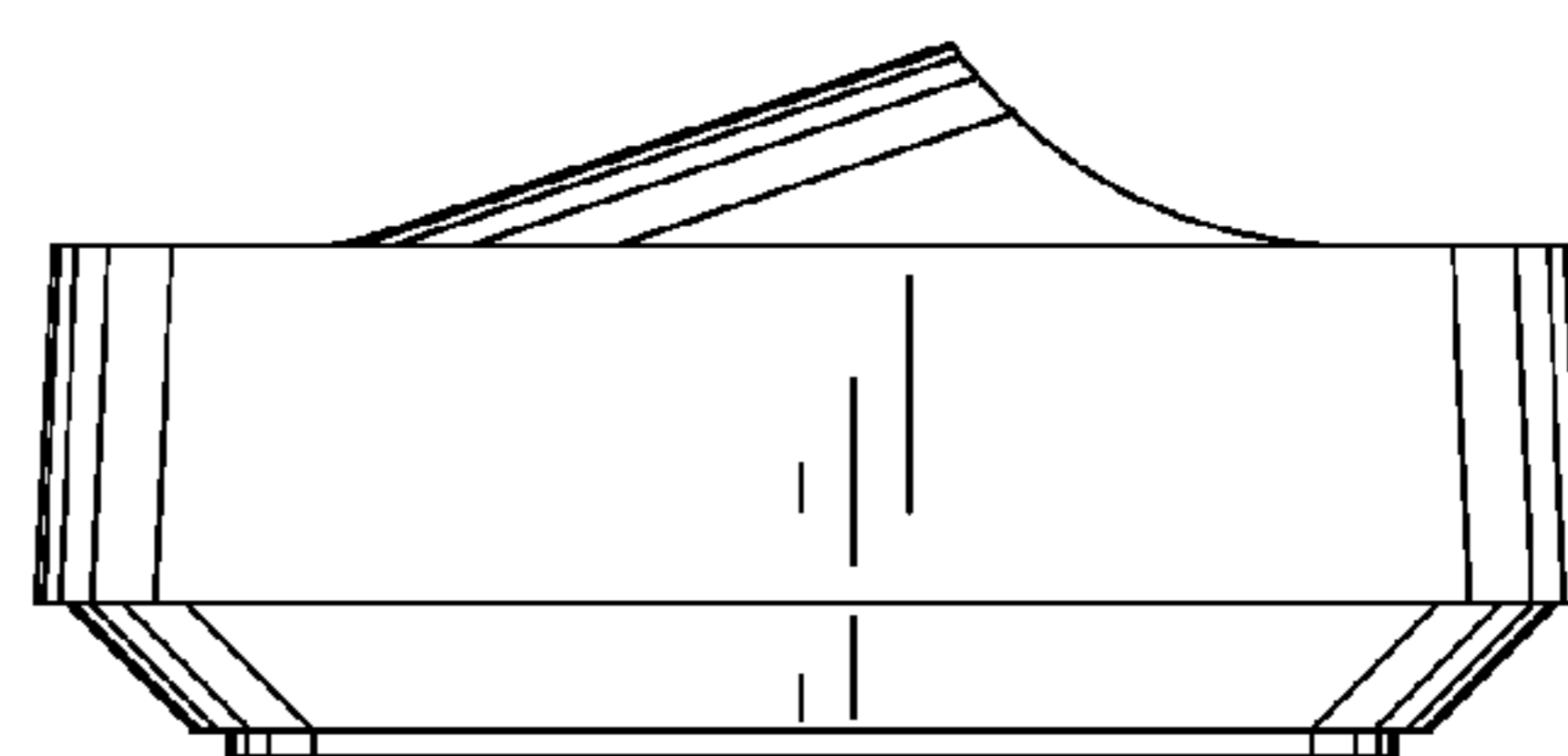


FIG. 14

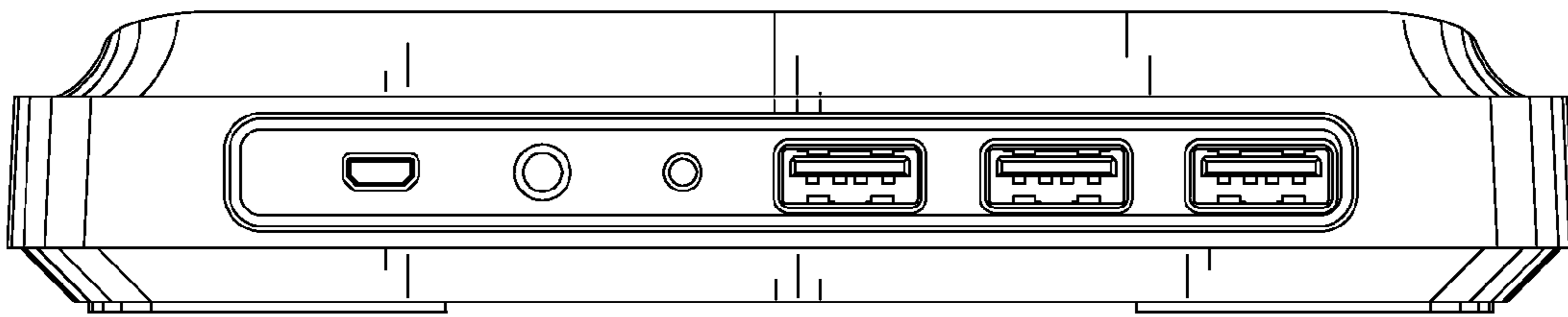


FIG. 15

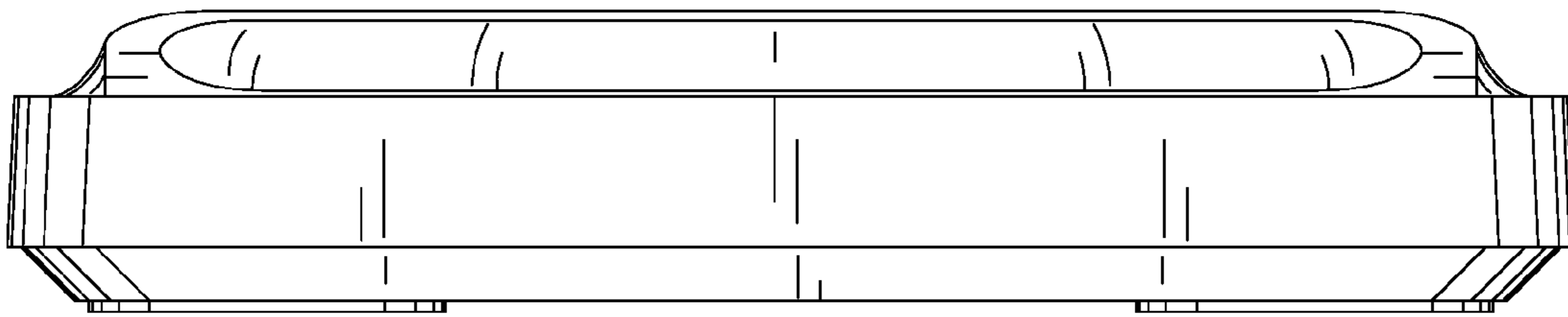


FIG. 16