



US00D638827S

(12) **United States Design Patent**
Daniel

(10) **Patent No.:** **US D638,827 S**
(45) **Date of Patent:** **** May 31, 2011**

(54) **DETACHABLE COMMUNICATIONS DEVICE
FOR COMMUNICATING WITH A
PLURALITY OF PORTABLE
COMMUNICATION DEVICES WITHIN A
GROUP**

D616,425 S * 5/2010 Hsia D14/240
D624,924 S * 10/2010 Lee D14/480.5
D627,356 S * 11/2010 Kao D14/435.1
2006/0152899 A1 * 7/2006 Wang 361/685

(75) Inventor: **Isaac S. Daniel**, Miramar, FL (US)

(73) Assignee: **F3M3 Companies, Inc.** DE (US)

(**) Term: **14 Years**

(21) Appl. No.: **29/377,152**

(22) Filed: **Oct. 18, 2010**

(51) **LOC (9) Cl.** **14-03**

(52) **U.S. Cl.** **D14/240**

(58) **Field of Classification Search** D14/240–242,
D14/356–358, 140.1–140.6, 140, 155, 159,
D14/141.1–141.3, 137, 149, 150, 349, 351,
D14/348, 353–355, 170–171, 225, 217, 125;
D13/184, 133, 152; 455/550.1; 361/679.4,
361/679.56, 679.03, 679.26; 340/7.54; 439/717;
370/315; 375/311

See application file for complete search history.

(56) **References Cited**

U.S. PATENT DOCUMENTS

3,249,873	A	*	5/1966	Whittemore, Jr. et al.	...	455/351
D314,191	S	*	1/1991	Bina	D14/351
D352,706	S	*	11/1994	Hong	D14/137
D371,560	S	*	7/1996	Fenton et al.	D14/230
D372,248	S	*	7/1996	Tahmassebpur	D14/242
D389,088	S	*	1/1998	Murphy	D14/351
D409,203	S	*	5/1999	Morimiya	D14/242
D433,642	S	*	11/2000	Bauman	D10/104
D442,925	S	*	5/2001	Backs et al.	D14/126
D454,557	S	*	3/2002	Do et al.	D14/242
D464,959	S	*	10/2002	Do et al.	D14/242
D484,497	S	*	12/2003	Alviar et al.	D14/240
D489,720	S	*	5/2004	Sasaki	D14/358
D510,734	S	*	10/2005	Christianson	D14/155
7,023,814	B2	*	4/2006	Kotzin	370/312
D549,698	S	*	8/2007	Jeon et al.	D14/240
D564,520	S	*	3/2008	Baseflug et al.	D14/433
D587,708	S	*	3/2009	Yoshida et al.	D14/358

OTHER PUBLICATIONS

GSM Mobile Signal Repeater, image 3, DIY Trade, posting date not given, [online], [site visited Feb. 28, 2011]. Available from Internet, <URL: http://www.diytrade.com/china/4/products/4722133/GSM_Mobile_Signal_Repeater.html>.*

* cited by examiner

Primary Examiner — Jeffrey D Asch

(74) *Attorney, Agent, or Firm* — Carol N. Green, Esq.

(57) **CLAIM**

The ornamental design for a detachable communications device for communicating with a plurality of portable communication devices within a group, as shown and described.

DESCRIPTION

FIG. 1 is a top front right perspective view of a detachable communications device for communicating with a plurality of portable communication devices within a group.

FIG. 2 is a bottom front left perspective view of a detachable communications device for communicating with a plurality of portable communication devices within a group.

FIG. 3 is a front plan view of a detachable communications device for communicating with a plurality of portable communication devices within a group.

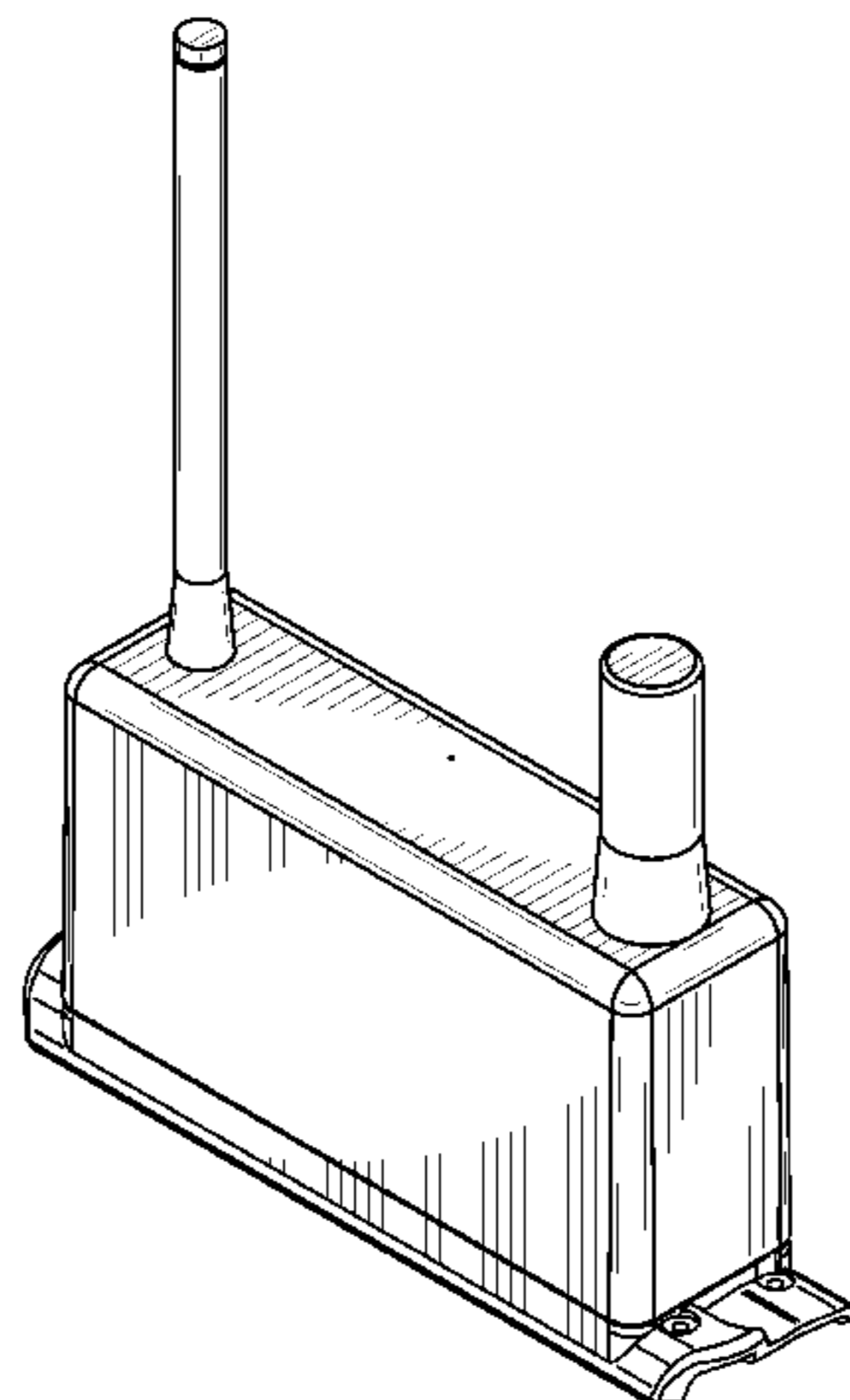
FIG. 4 is a right side view of a detachable communications device for communicating with a plurality of portable communication devices within a group.

FIG. 5 is a left side view of a detachable communications device for communicating with a plurality of portable communication devices within a group.

FIG. 6 is a top plan view of a detachable communications device for communicating with a plurality of portable communication devices within a group; and,

FIG. 7 is a bottom plan view of a detachable communications device for communicating with a plurality of portable communication devices within a group.

1 Claim, 5 Drawing Sheets



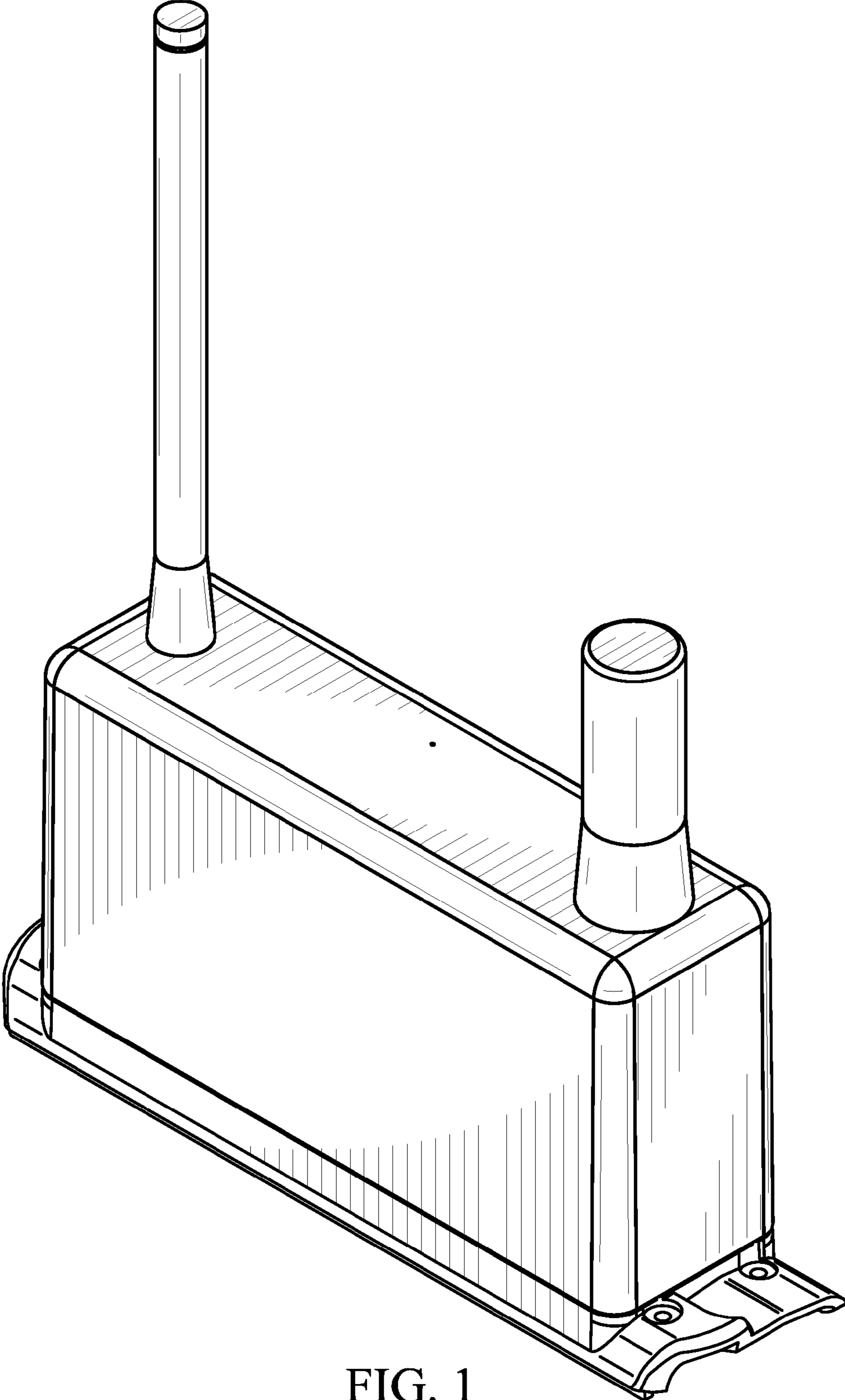


FIG. 1

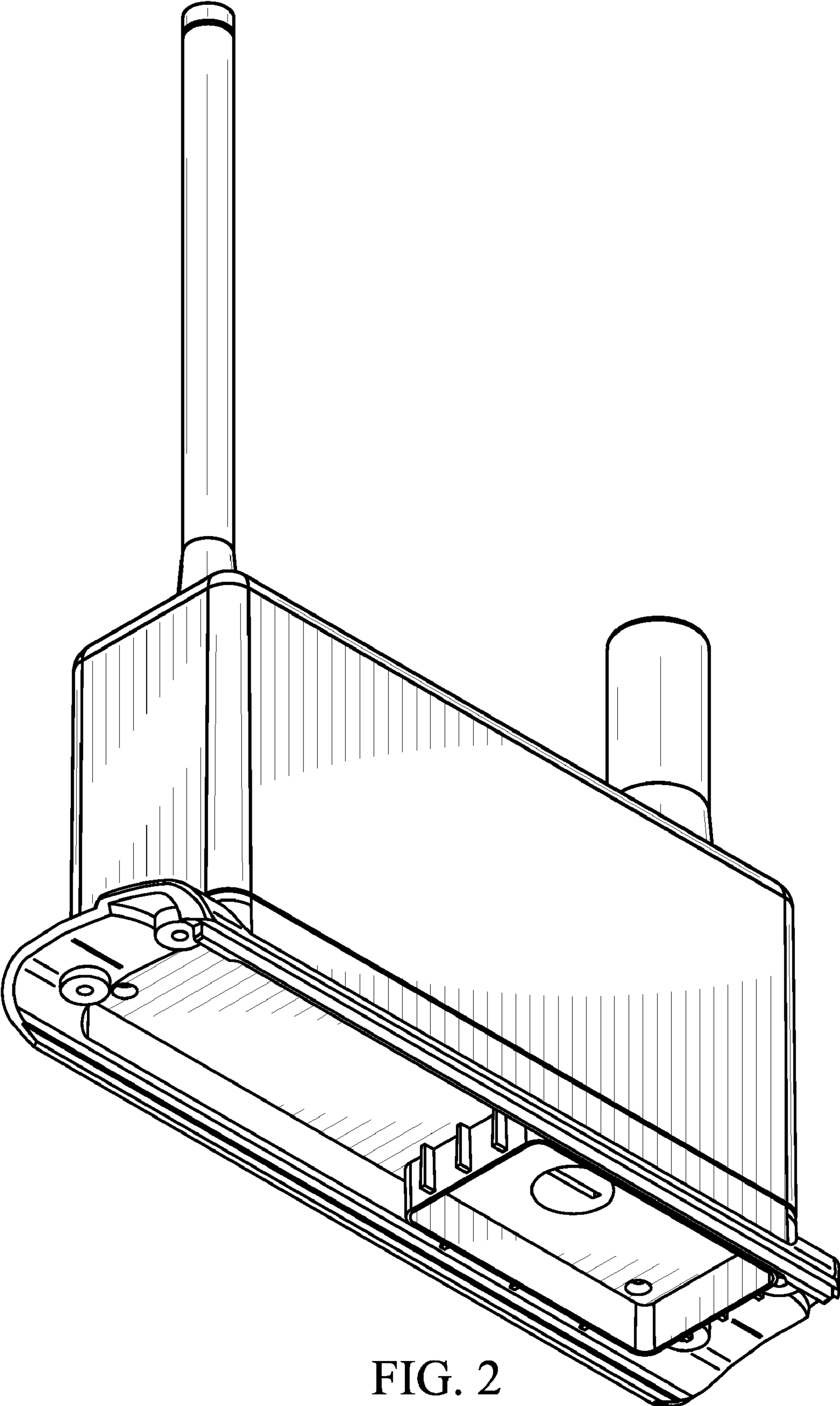


FIG. 2

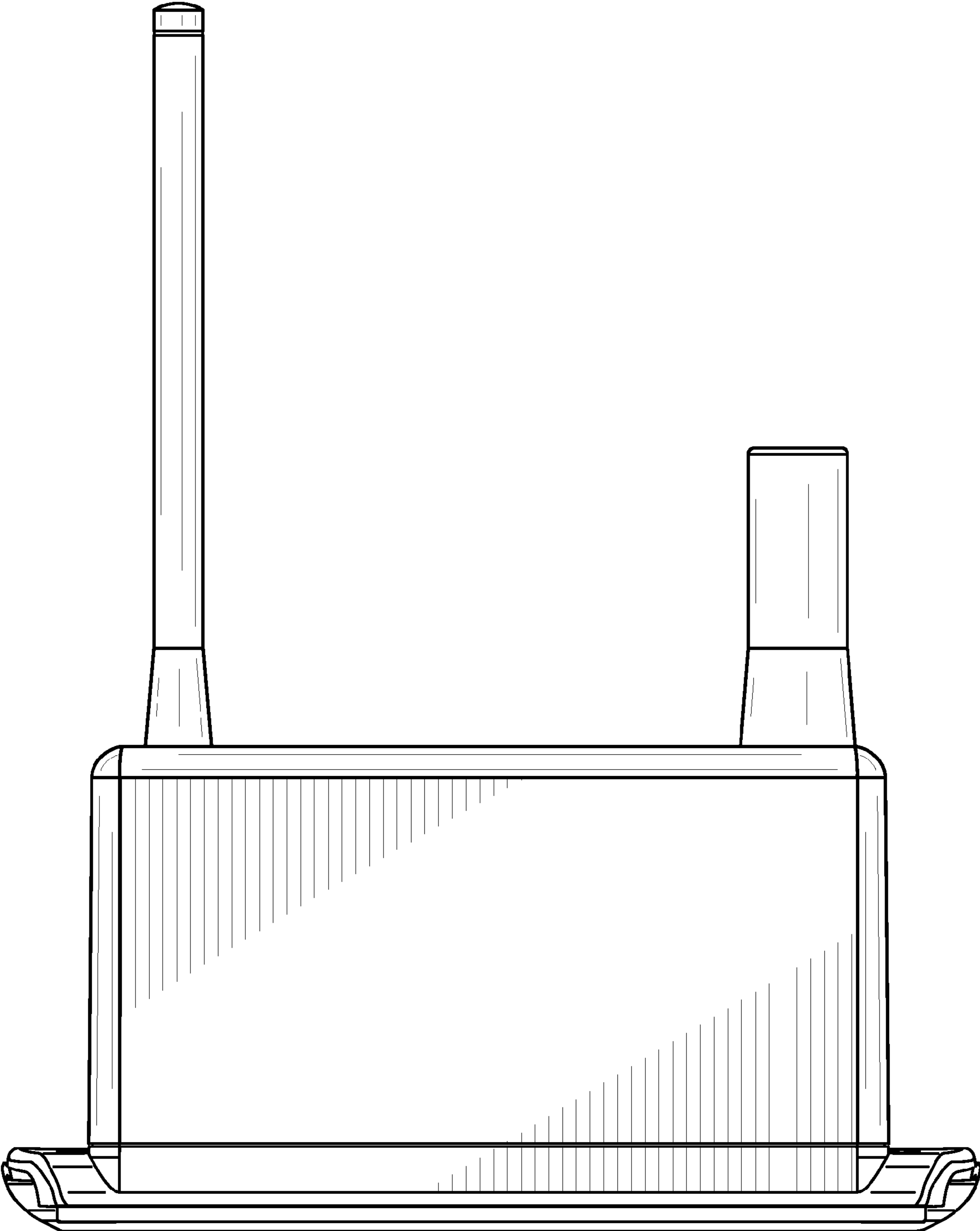


FIG. 3

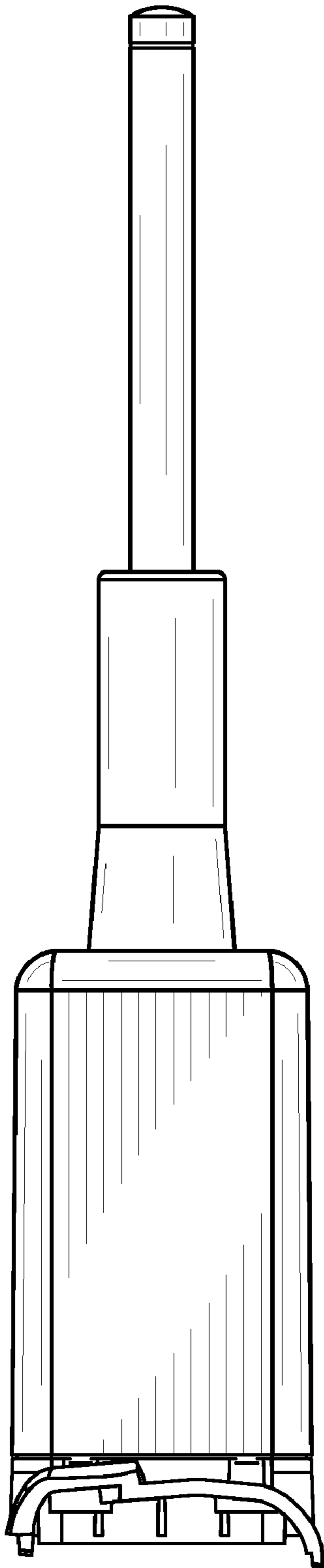


FIG. 4

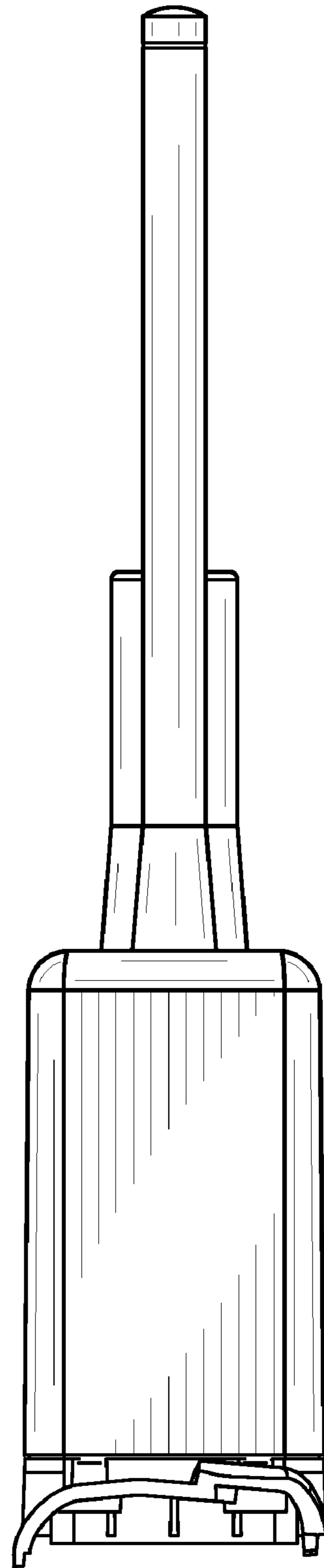


FIG. 5

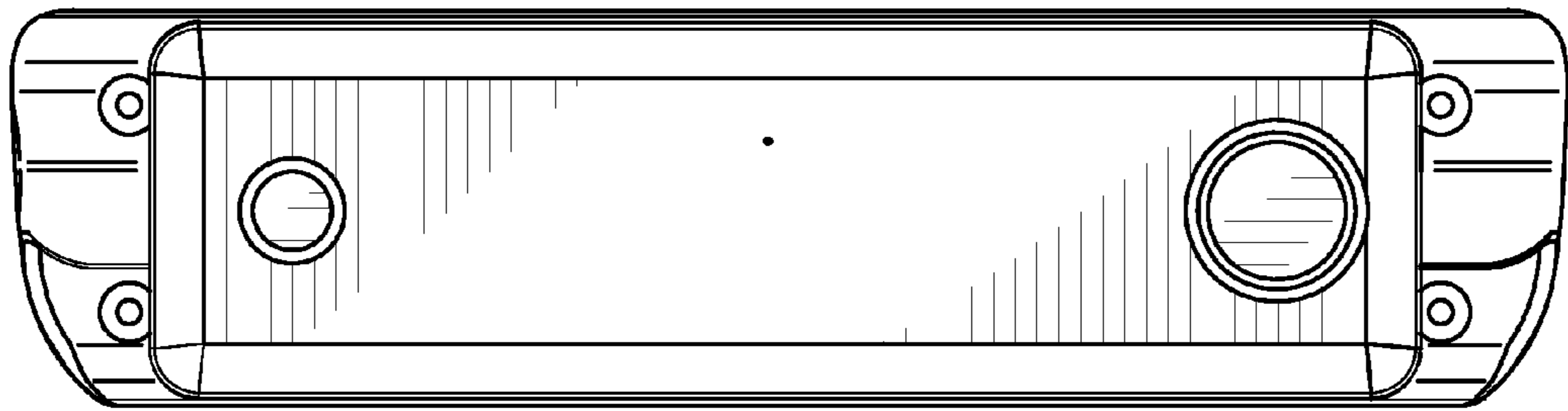


FIG. 6

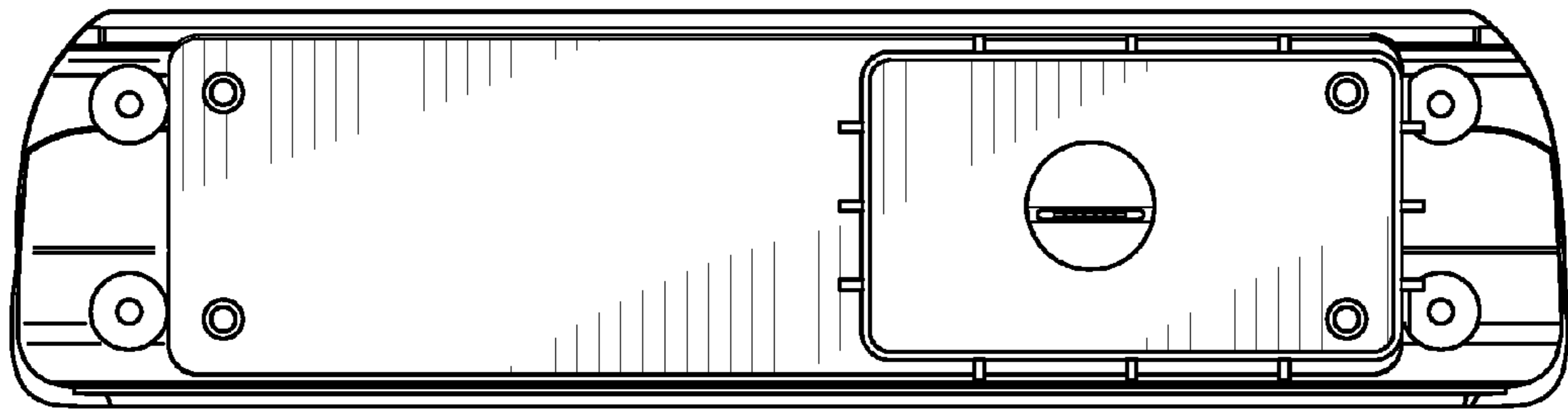


FIG. 7