



US00D638825S

(12) **United States Design Patent**  
**VanDuyn et al.**

(10) **Patent No.:** **US D638,825 S**  
(45) **Date of Patent:** **\*\* May 31, 2011**

(54) **TWISTABLE REMOTE CONTROL**

(75) Inventors: **Luke VanDuyn**, Highlands Ranch, CO (US); **Henry Martch**, Parker, CO (US)

(73) Assignee: **EchoStar Technologies L.L.C.**, Englewood, CO (US)

(\*\*) Term: **14 Years**

(21) Appl. No.: **29/378,791**

(22) Filed: **Nov. 9, 2010**

**Related U.S. Application Data**

(62) Division of application No. 29/366,664, filed on Jul. 28, 2010, now Pat. No. Des. 628,983.

(51) **LOC (9) Cl.** ..... **14-03**

(52) **U.S. Cl.** ..... **D14/218**

(58) **Field of Classification Search** ..... D14/174,  
D14/137-139, 151, 217, 218, 191-193, 167,  
D14/299, 168, 247, 455, 456, 138 AA, 138 AC;  
D13/168, 162-164; D21/512-517, 566;  
D10/104, 106; 345/169; 348/114, 734;  
455/352-355, 151.1-151.4, 128, 347, 90.3  
See application file for complete search history.

(56) **References Cited**

**U.S. PATENT DOCUMENTS**

D511,509	S	*	11/2005	Kim et al.	.....	D14/138 AB
D515,072	S	*	2/2006	Lee	.....	D14/218
D515,544	S	*	2/2006	Kim et al.	.....	D14/138 AA
D518,475	S	*	4/2006	Yang et al.	.....	D14/218
D532,777	S	*	11/2006	Yu et al.	.....	D14/218
D538,820	S	*	3/2007	Andre et al.	.....	D14/203.7
D542,758	S	*	5/2007	Kim et al.	.....	D14/138 AA
D543,971	S	*	6/2007	d'Hoore	.....	D14/218
D549,666	S	*	8/2007	Tan et al.	.....	D13/168
D552,086	S	*	10/2007	Johnson et al.	.....	D14/217
D552,600	S	*	10/2007	Oota	.....	D14/218
D558,714	S	*	1/2008	Kim et al.	.....	D14/138 AD

D559,202	S	*	1/2008	Sim et al.	.....	D13/168
D584,727	S	*	1/2009	Liu	.....	D14/346
D585,052	S	*	1/2009	Mamane et al.	.....	D14/218
D614,605	S	*	4/2010	Teh et al.	.....	D14/218
D621,372	S	*	8/2010	Won et al.	.....	D13/168
D622,703	S	*	8/2010	Cheng Teh et al.	.....	D14/218
D628,983	S		12/2010	VanDuyn et al.		
2002/0154888	A1	*	10/2002	Allen et al.	.....	386/46
2007/0093281	A1	*	4/2007	Park et al.	.....	455/575.4
2007/0142092	A1	*	6/2007	Kim	.....	455/566

**OTHER PUBLICATIONS**

Amendment After Allowance Under 37 C.F.R. 1.312 and 14 sheets of replacement formal drawings, dated Nov. 9, 2010, U.S. Appl. No. 29/366,664, 31 pages.

\* cited by examiner

*Primary Examiner* — T. Chase Nelson  
*Assistant Examiner* — John Windmuller

(57) **CLAIM**

We claim the ornamental design for a twistable remote control, as shown and described.

**DESCRIPTION**

FIG. 1 is a top isometric view of a twistable remote control showing our new design.

FIG. 2 is a top plan view thereof.

FIG. 3 is a bottom plan view thereof.

FIG. 4 is a front elevation view thereof.

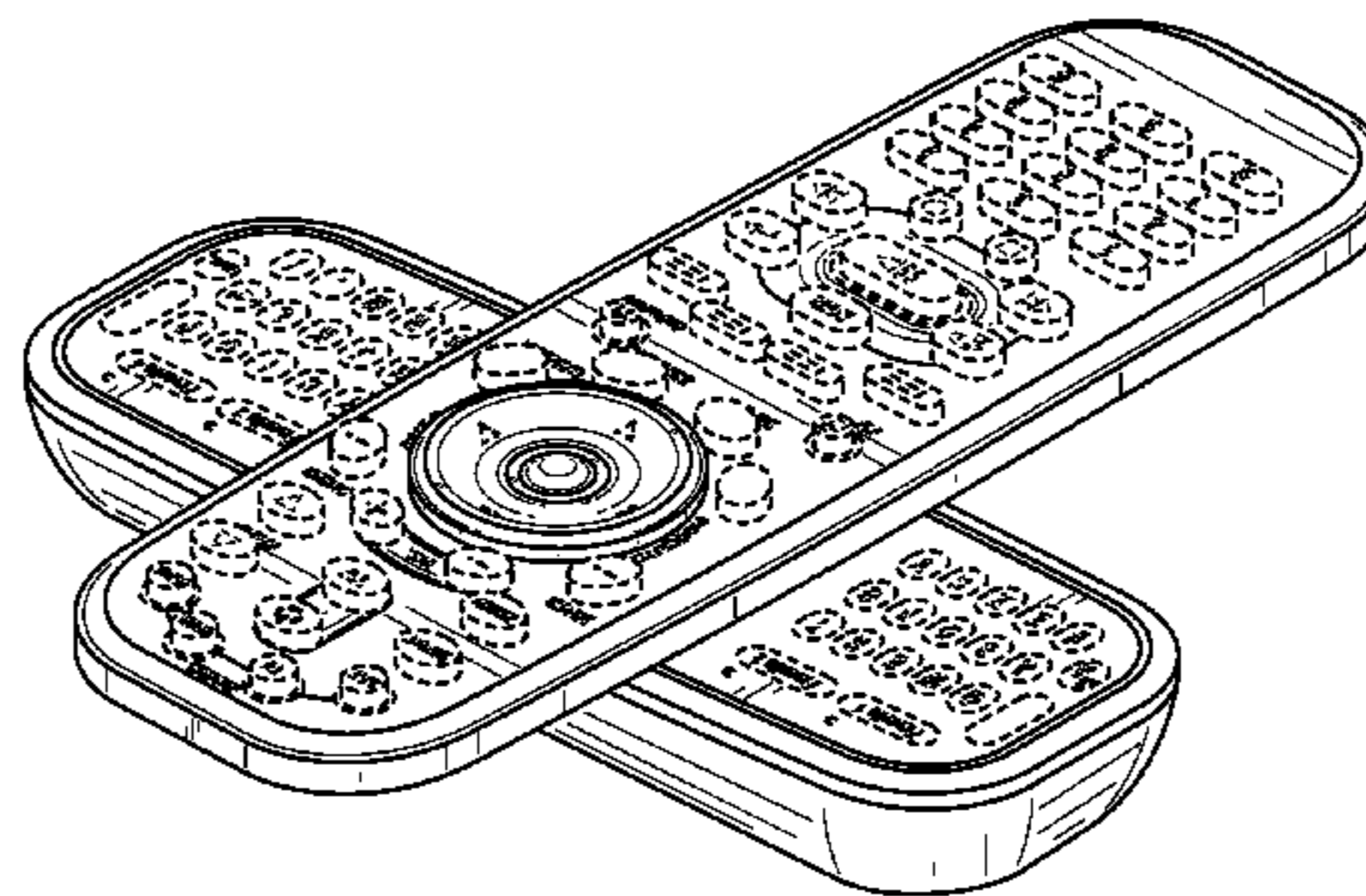
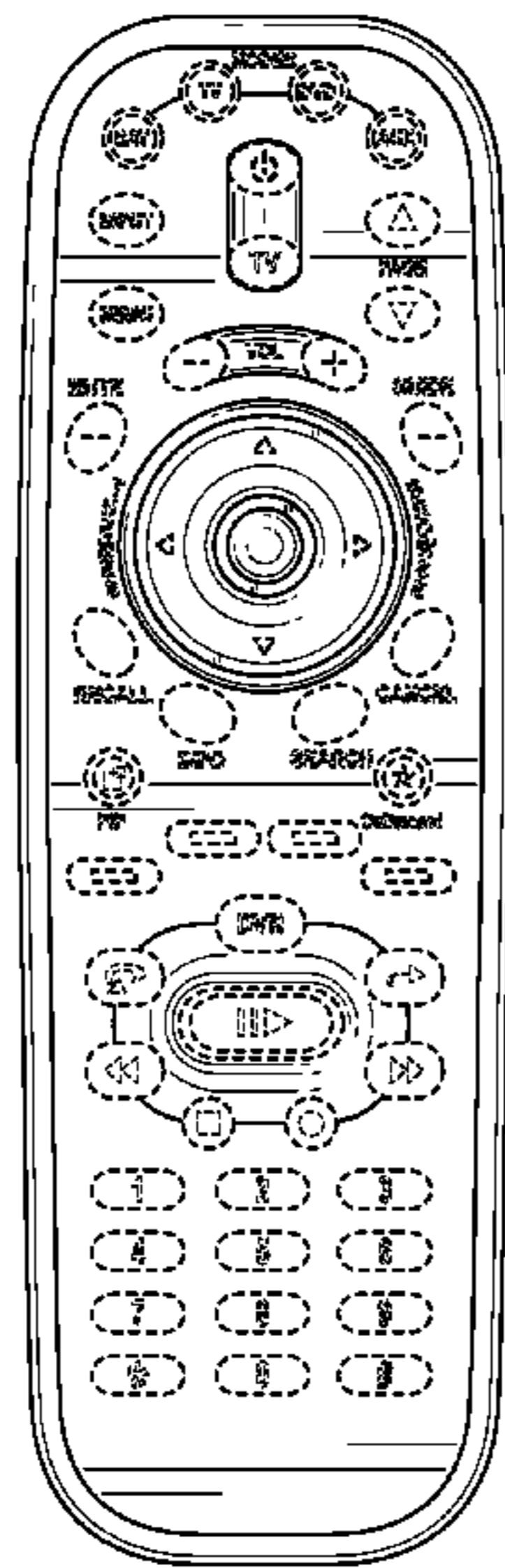
FIG. 5 is a top isometric view thereof in an expanded orientation.

FIG. 6 is a top plan view thereof in an expanded orientation; and,

FIG. 7 is a front elevation view thereof in an expanded orientation.

In the drawings, the broken-line showing of buttons and surface indicia depicts environmental subject matter only and forms no part of the claimed design.

**1 Claim, 7 Drawing Sheets**



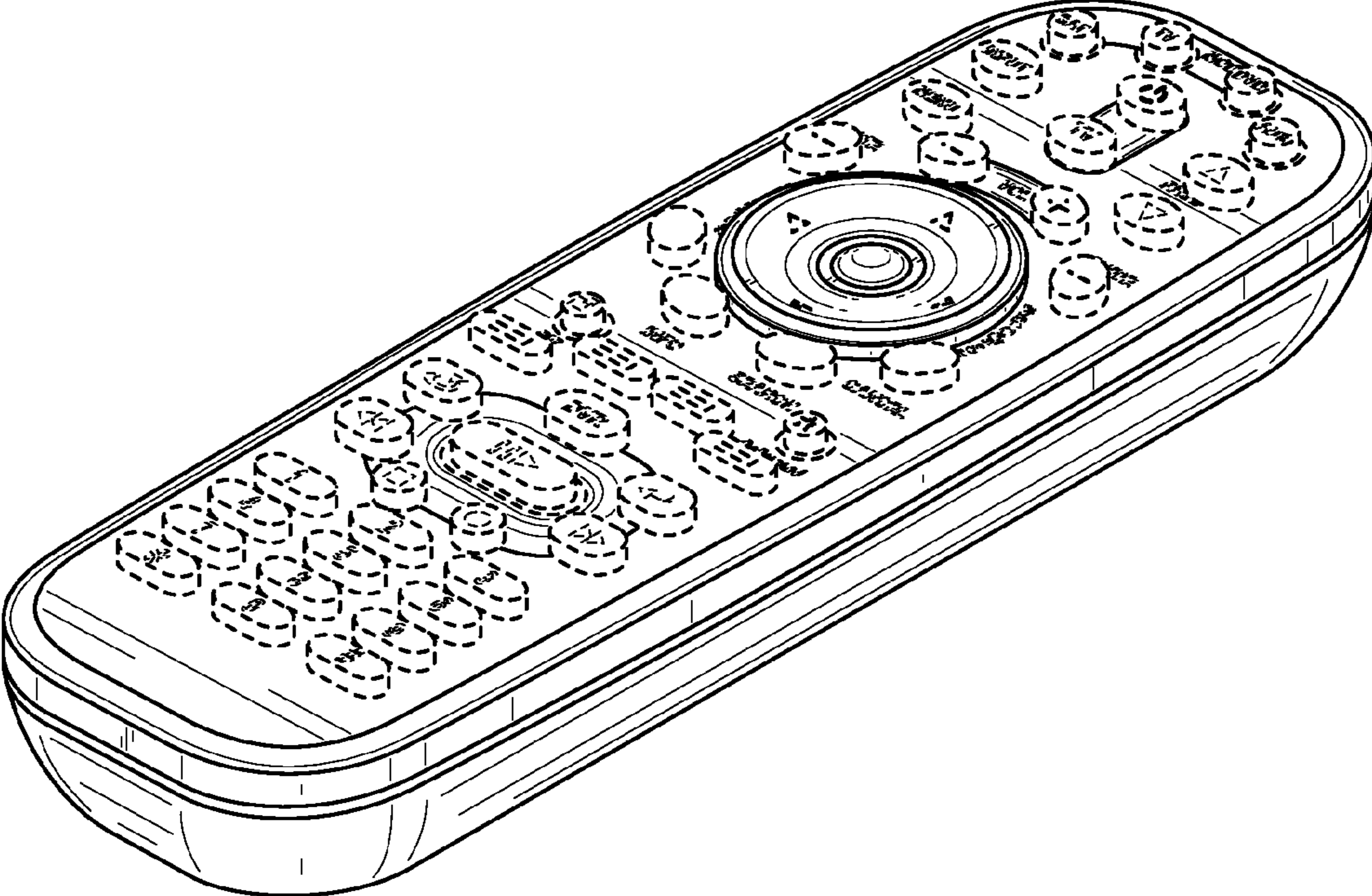


FIG. 1

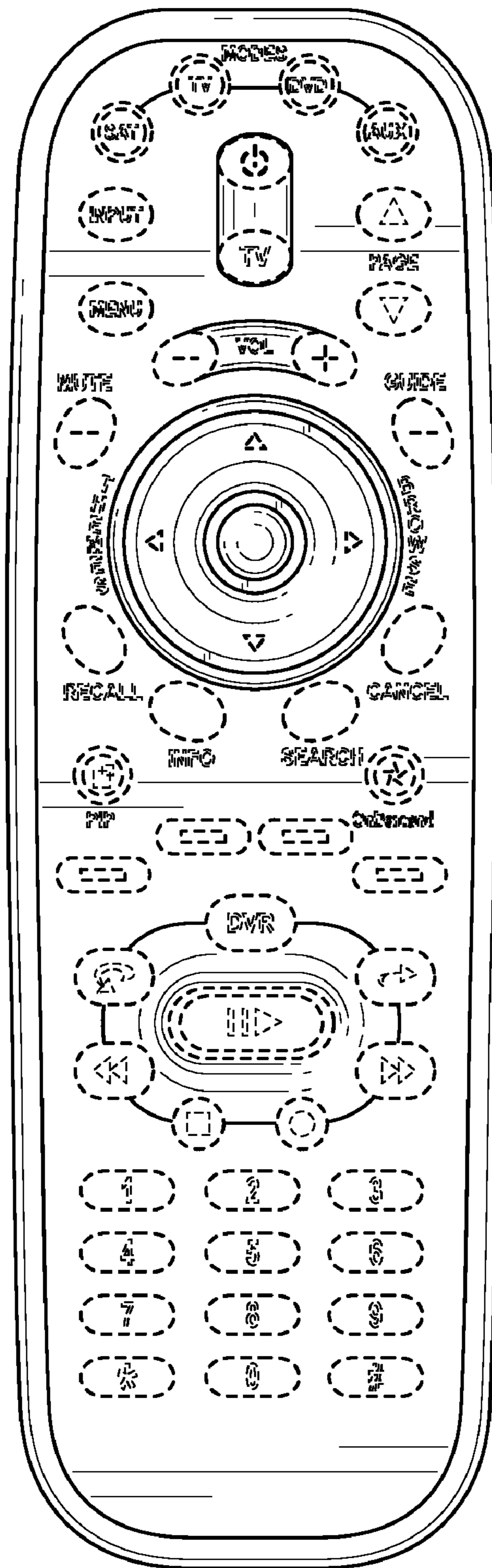


FIG. 2

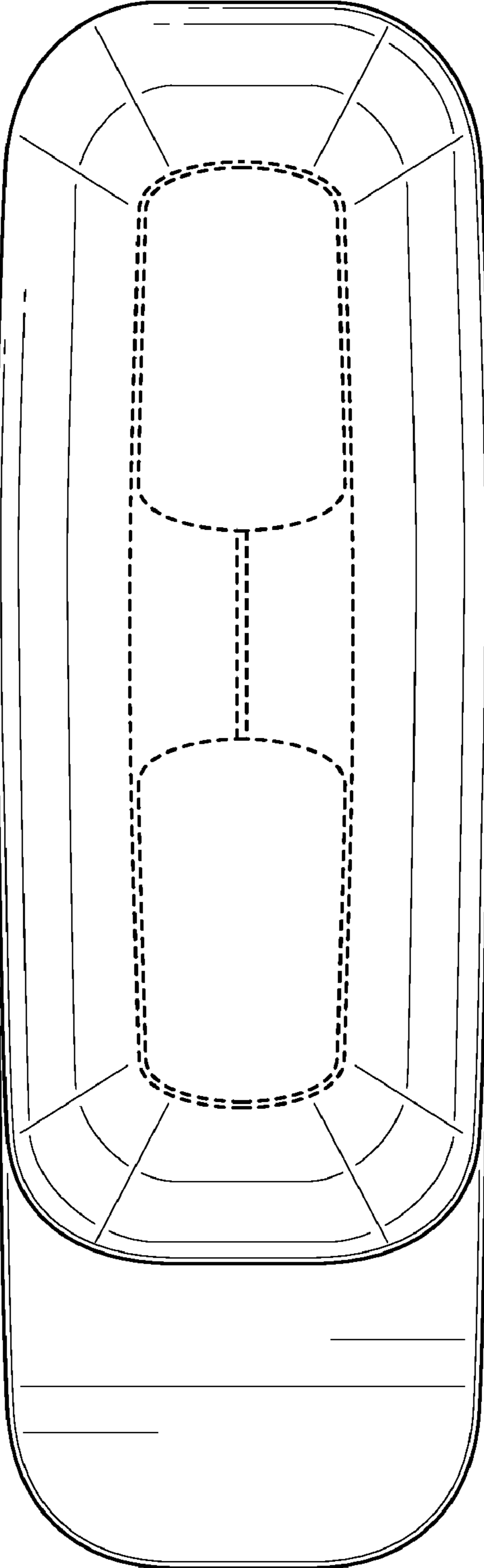


FIG. 3

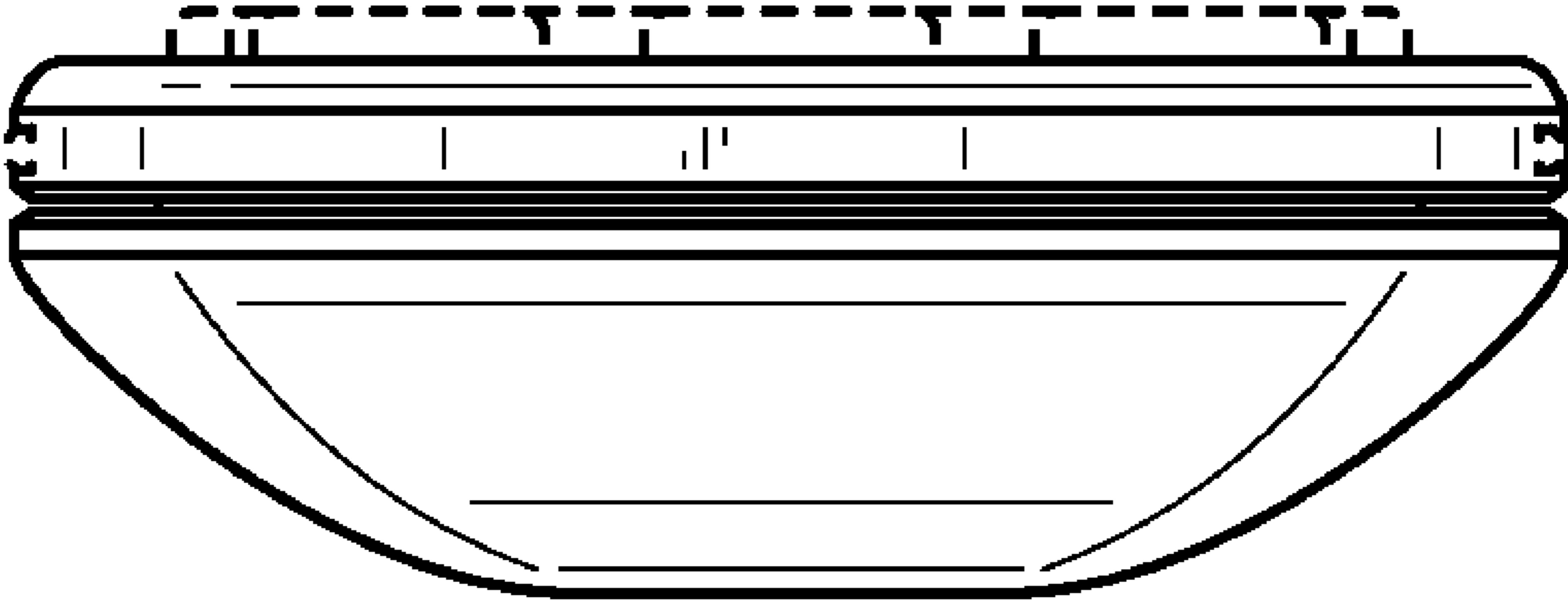


FIG. 4

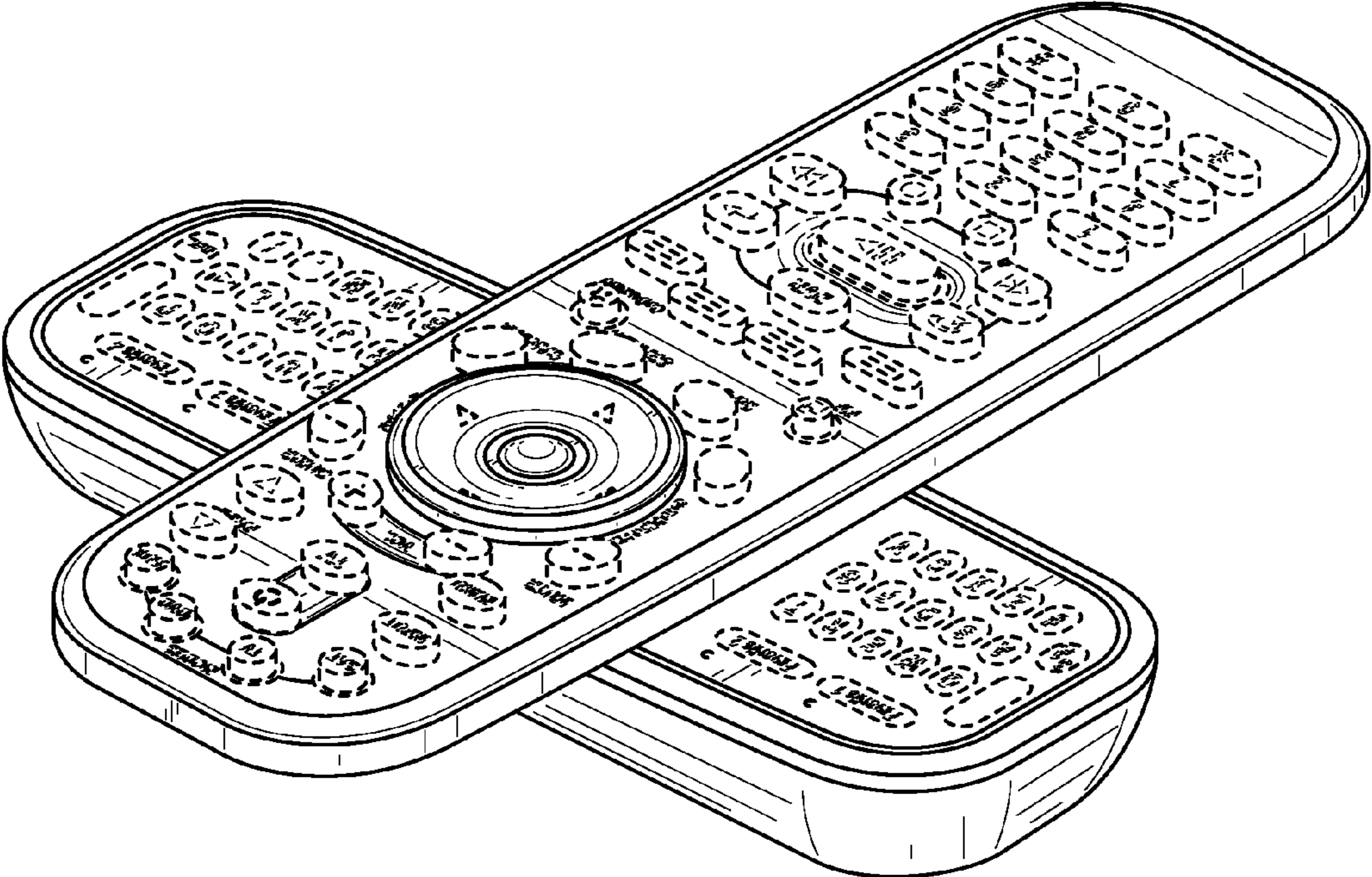


FIG. 5

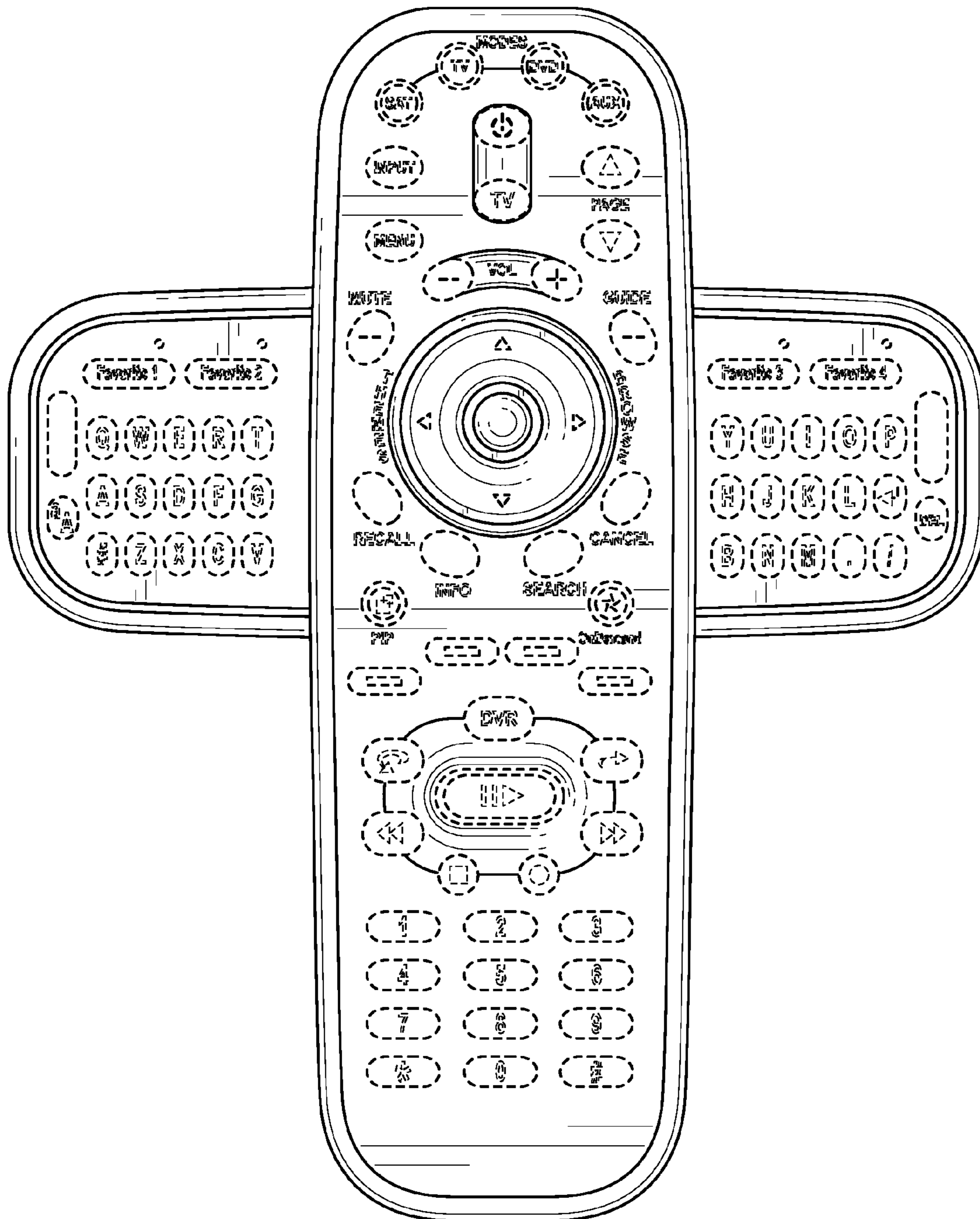


FIG. 6

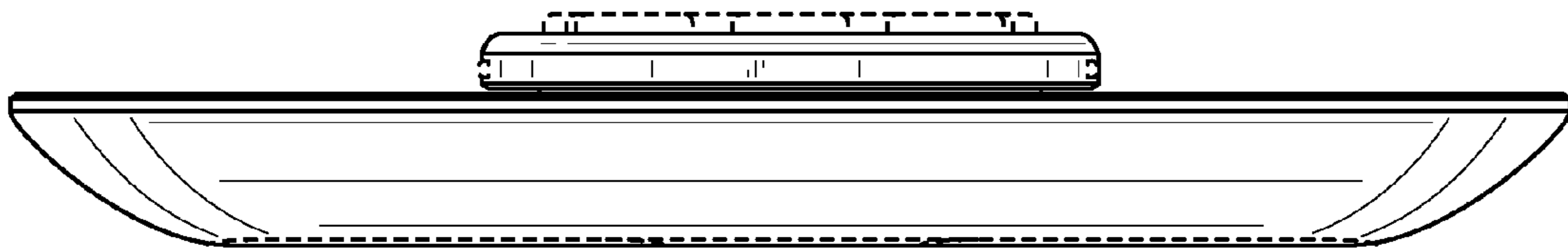


FIG. 7