



US00D638824S

(12) **United States Design Patent**
Hotta

(10) **Patent No.:** **US D638,824 S**

(45) **Date of Patent:** **** May 31, 2011**

(54) **SPEAKER BOX**

(75) Inventor: **Akihiko Hotta**, Osaka (JP)

(73) Assignee: **Sharp Kabushiki Kaisha**, Osaka (JP)

(**) Term: **14 Years**

(21) Appl. No.: **29/347,824**

(22) Filed: **Jun. 17, 2010**

(30) **Foreign Application Priority Data**

Dec. 18, 2009 (JP) 2009-029419

(51) **LOC (9) Cl.** **14-01**

(52) **U.S. Cl.** **D14/215**

(58) **Field of Classification Search** D14/204,
D14/209.1, 210–216, 172; 181/143–144,
181/147–148, 150–153, 157, 198–199;
381/300–303, 306, 332–333, 336, 345, 361–364,
381/386–388

See application file for complete search history.

(56) **References Cited**

U.S. PATENT DOCUMENTS

D382,270 S * 8/1997 Matsuoka D14/214

D417,217 S * 11/1999 Heath D14/215

D503,169 S * 3/2005 Hisatsune D14/214

D506,746 S * 6/2005 Hioki D14/215

D509,212 S * 9/2005 Hioki D14/215

D547,750 S * 7/2007 Yuyama D14/214

D548,222 S * 8/2007 Kim D14/214

* cited by examiner

Primary Examiner — Nanda Bondade

(74) *Attorney, Agent, or Firm* — Nixon & Vanderhye, P.C.

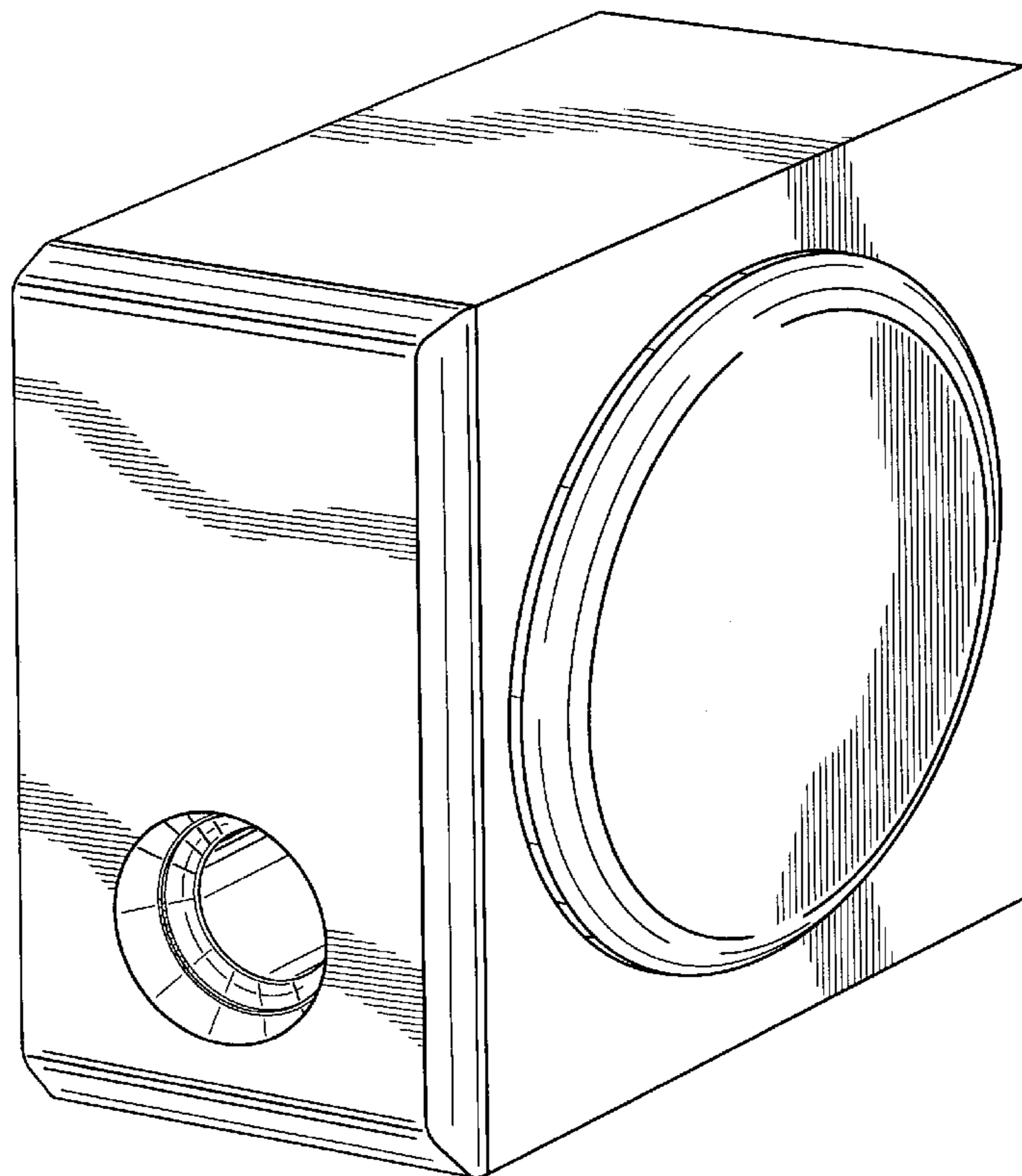
(57) **CLAIM**

The ornamental design for “speaker box,” as shown and described.

DESCRIPTION

FIG. 1 is a front top right perspective view of a speaker box in accordance with my new design;
FIG. 2 is a front elevation view thereof;
FIG. 3 is a rear elevation view thereof;
FIG. 4 is a top plan view thereof;
FIG. 5 is a bottom plan view thereof;
FIG. 6 is a right side elevation view thereof;
FIG. 7 is a left side elevation view thereof; and,
FIG. 8 is a right front top perspective view similar to FIG. 1 but with the speaker cover removed.

1 Claim, 8 Drawing Sheets



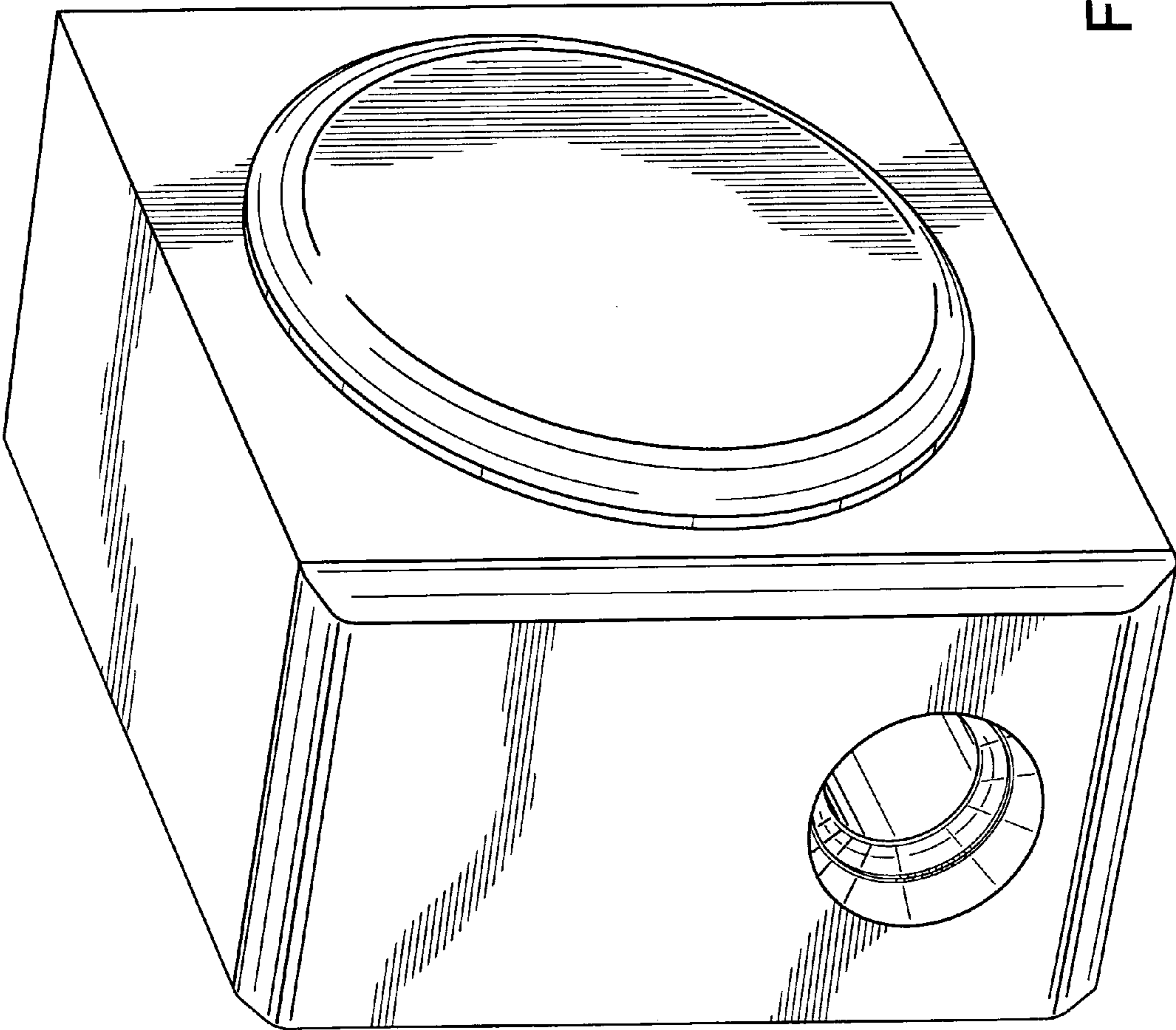


FIG. 1

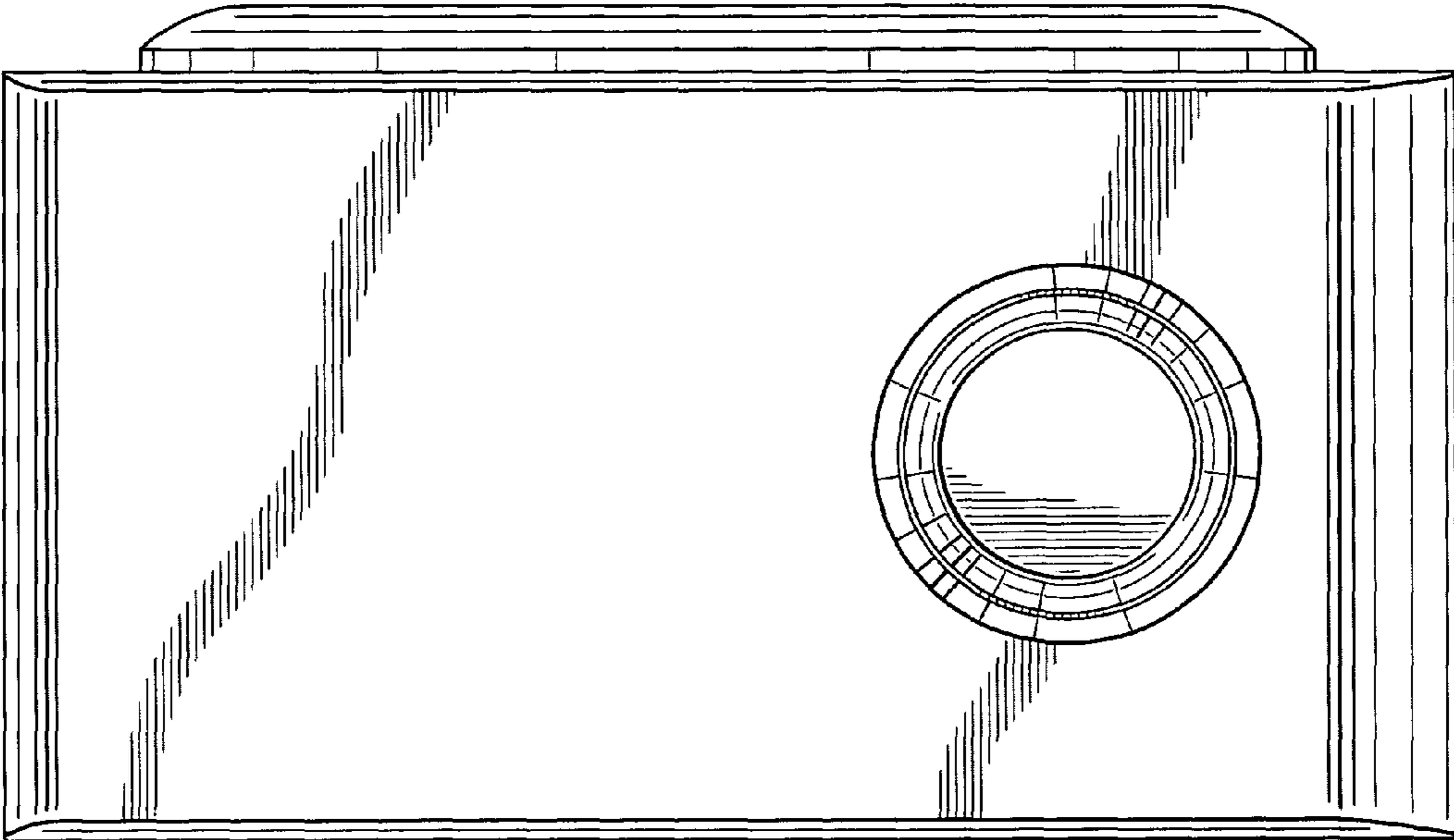


FIG. 2

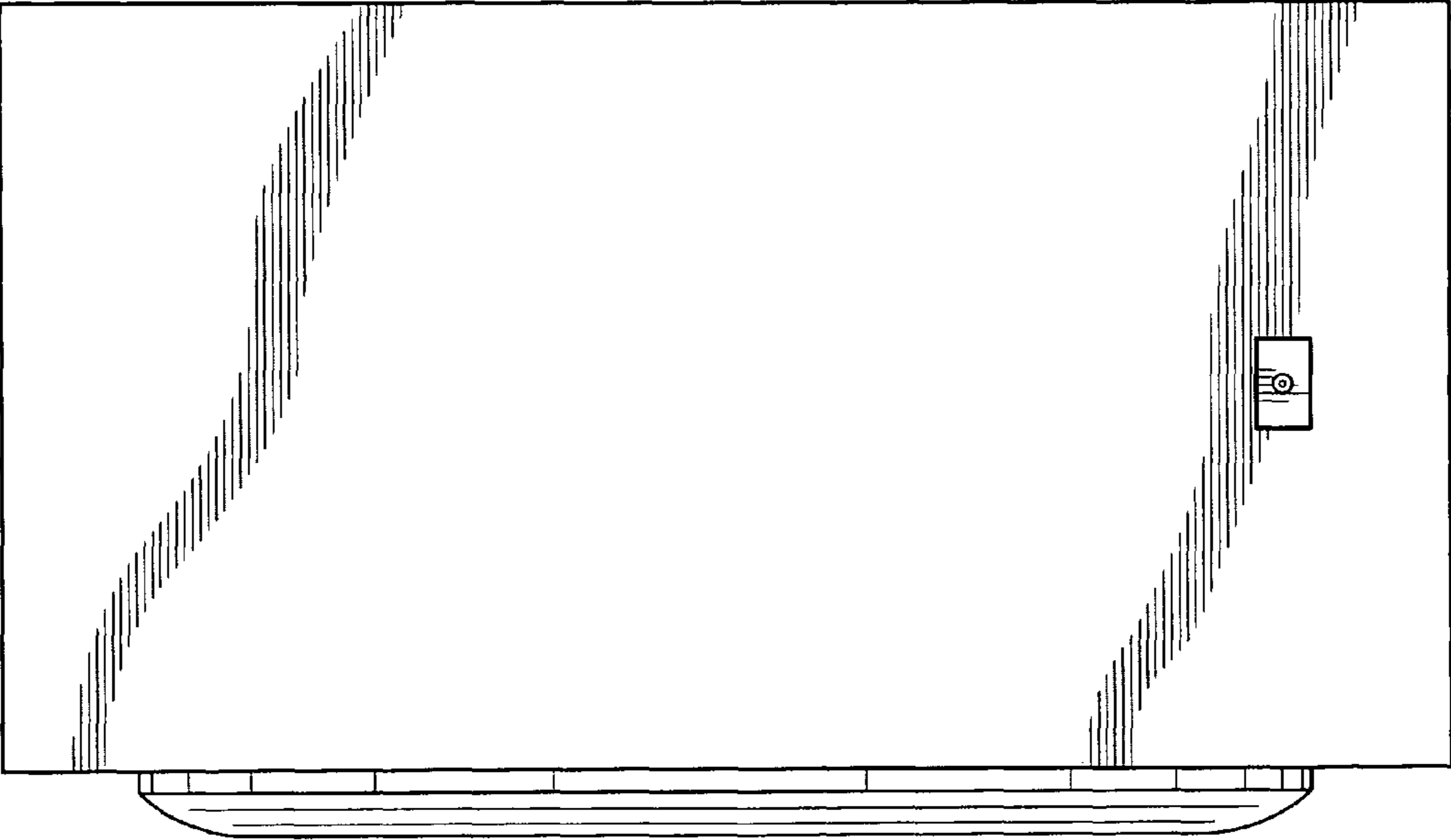


FIG. 3

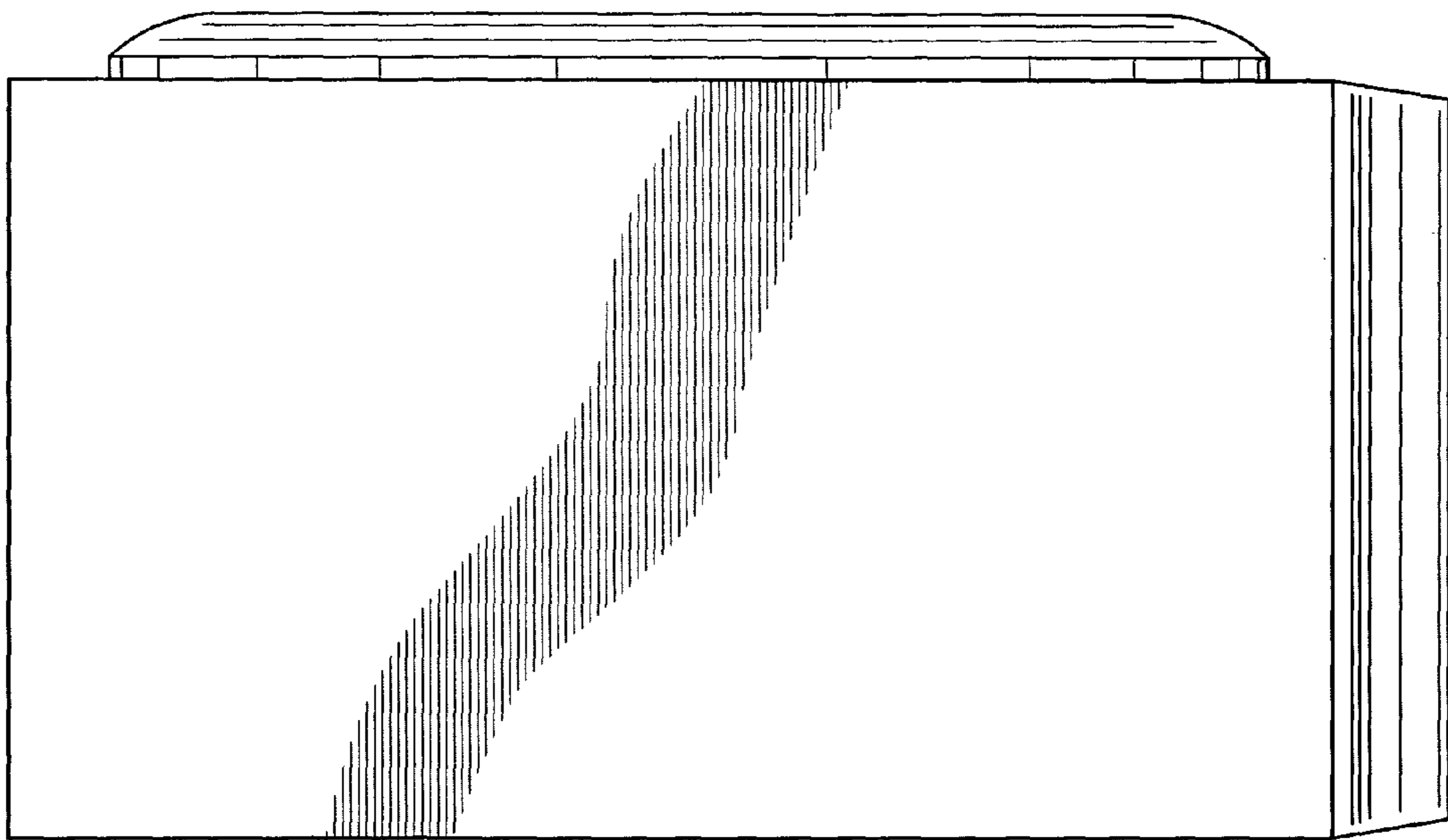


FIG. 4

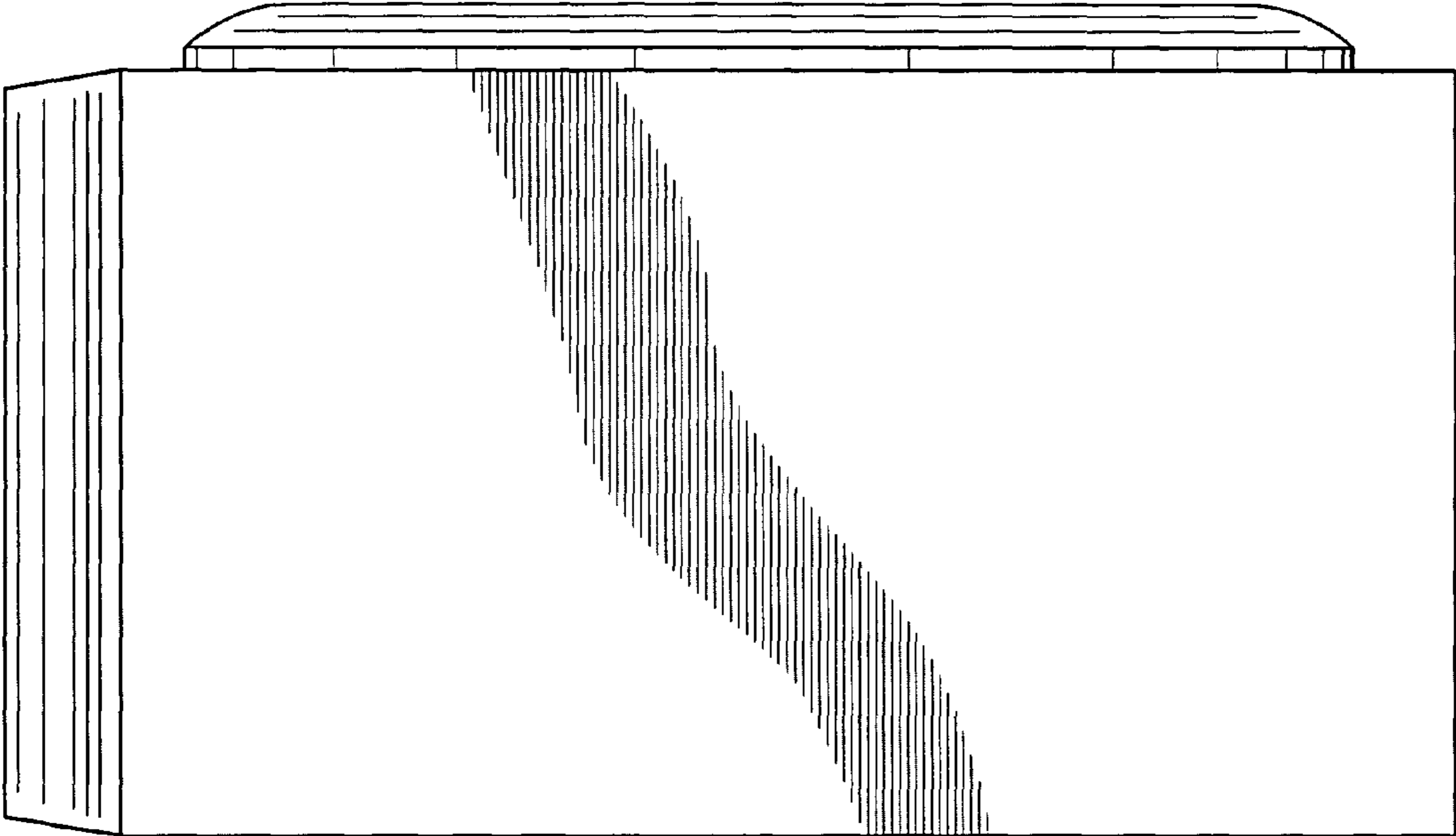


FIG. 5

FIG. 6

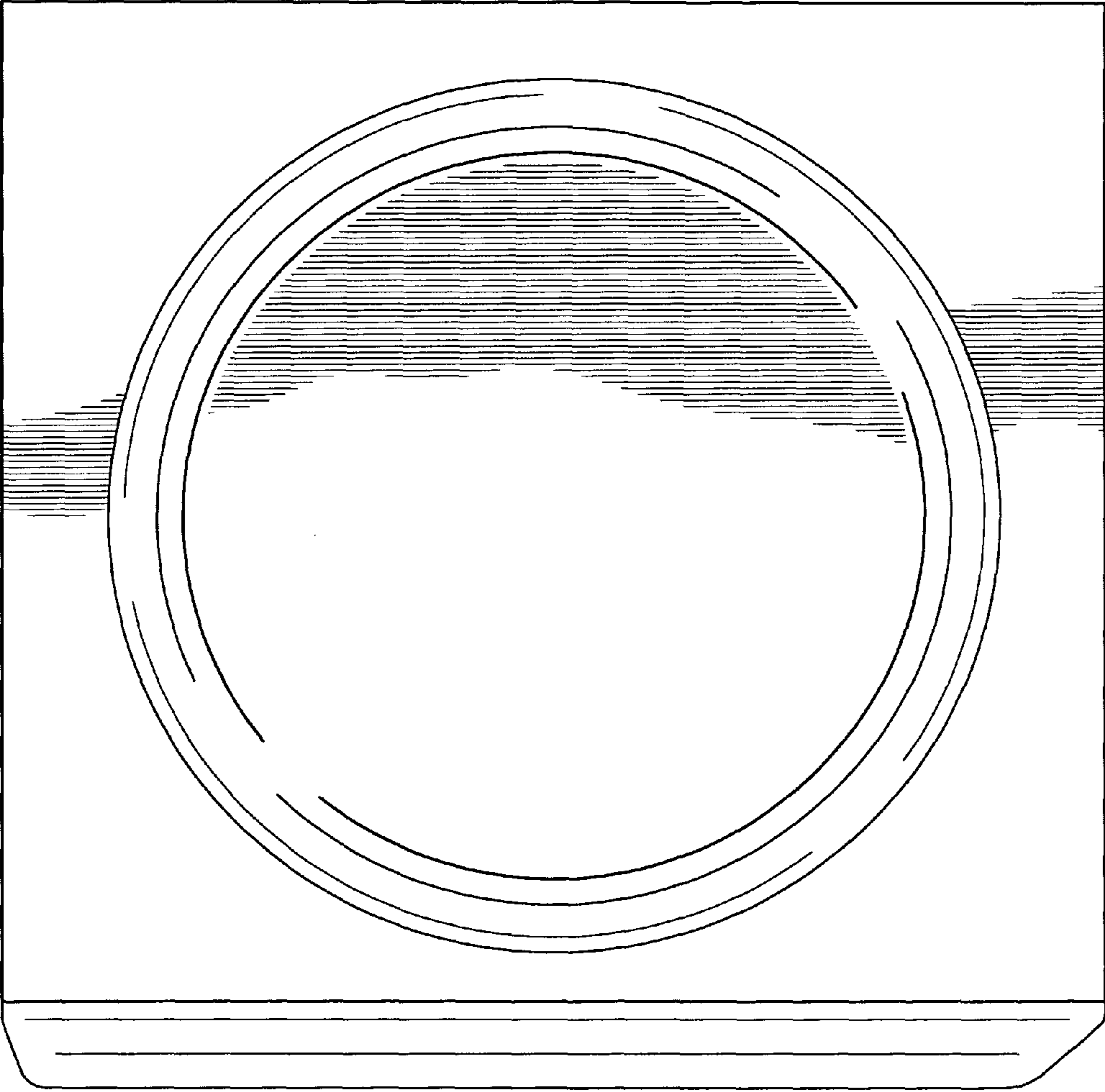
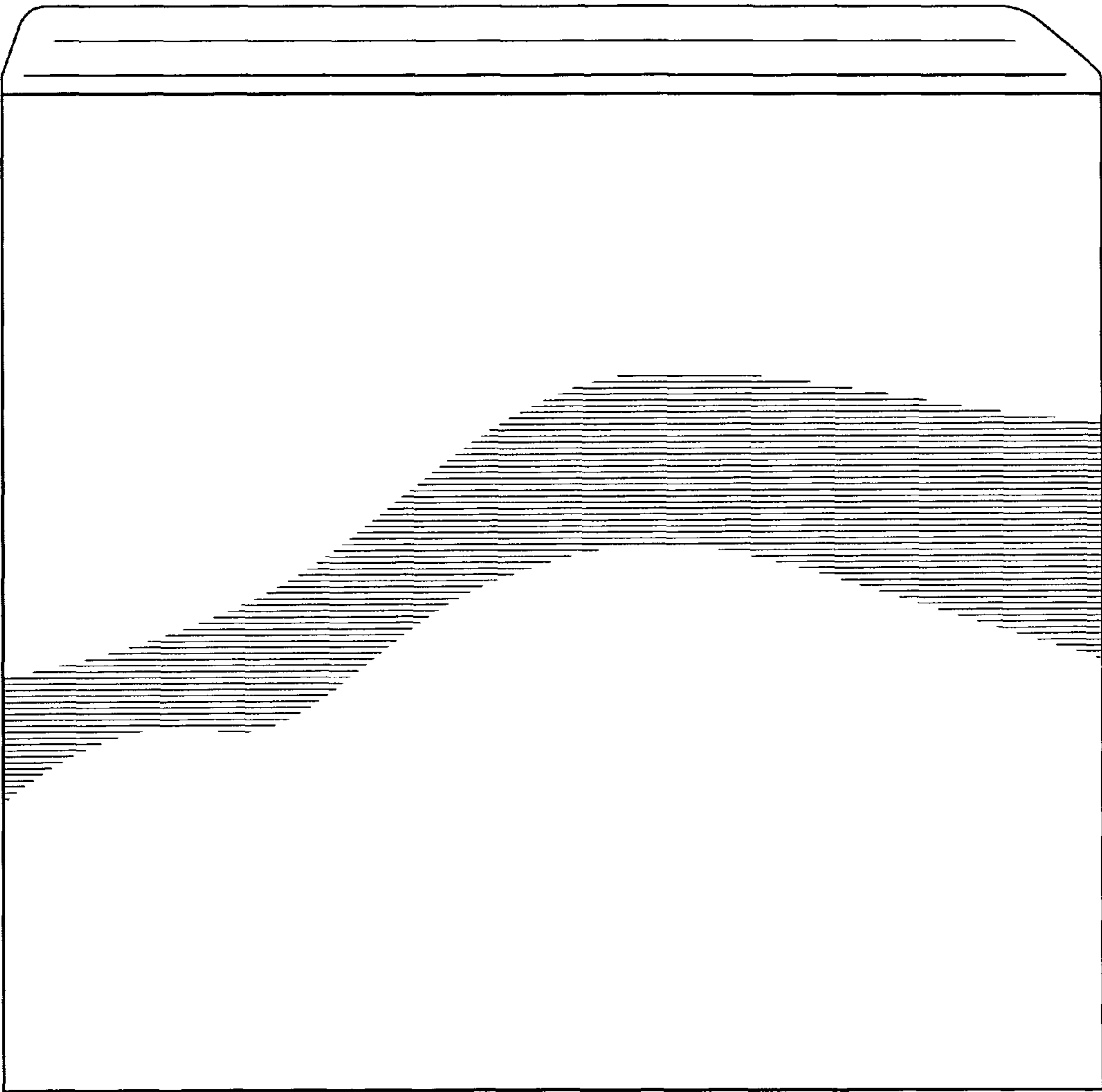


FIG. 7



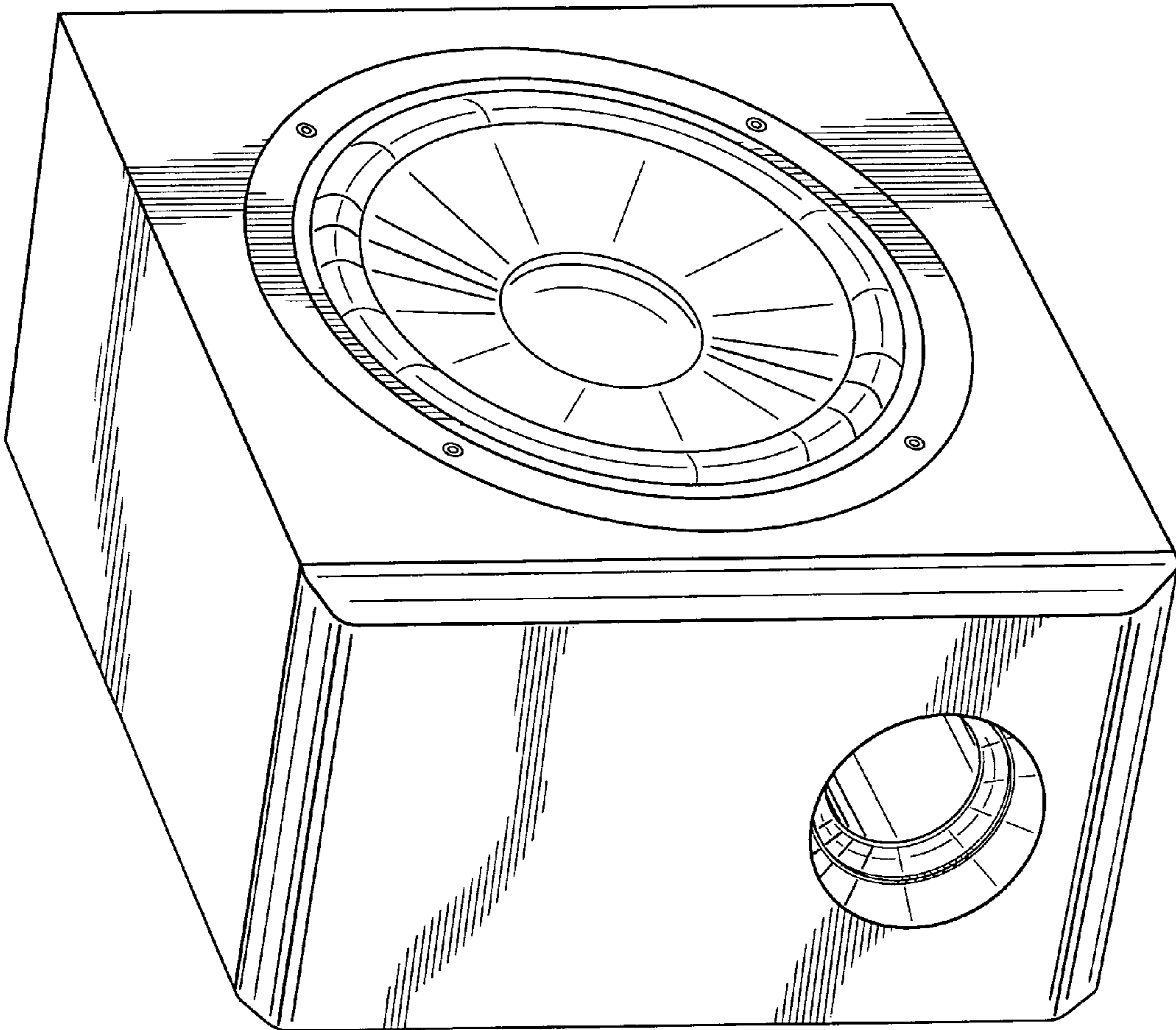


FIG. 8