



US00D638818S

(12) **United States Design Patent**
Fleming et al.

(10) **Patent No.:** **US D638,818 S**

(45) **Date of Patent:** **** May 31, 2011**

(54) **DOCKING STATION WITH HANDSET FOR SMARTPHONE**

(75) Inventors: **Jeremiah J. Fleming**, Wildwood, MO (US); **Jules S. G. Parmentier**, Taipei (TW); **Jimmin Yao**, Fremont, CA (US); **Nathaniel P. Levonius**, San Jose, CA (US)

(73) Assignee: **AltiGen Communications, Inc.**, San Jose, CA (US)

(**) Term: **14 Years**

(21) Appl. No.: **29/368,903**

(22) Filed: **Aug. 31, 2010**

(51) **LOC (9) Cl.** **14-03**

(52) **U.S. Cl.** **D14/145**

(58) **Field of Classification Search** D14/140, D14/140.1, 142, 144, 145, 147-151, 217, D14/224, 229, 240, 242, 243, 252, 253, 299, D14/447, 483, 214, 224.1, 227, 434, 218, D14/216, 191, 496, 130, 159, 146; D13/107-108, D13/168; 361/679.41; 439/534; 320/10, 320/115, 116, 107; D10/65; 369/1; 379/165
See application file for complete search history.

(56) **References Cited**

U.S. PATENT DOCUMENTS

D246,651	S	*	12/1977	Morrison et al.	D14/145
D313,595	S	*	1/1991	Morooka	D14/159
5,014,302	A	*	5/1991	Kappeler et al.	379/165
D354,749	S	*	1/1995	Phillips	D14/151
D382,264	S	*	8/1997	Sacchetti	D14/145
D408,815	S	*	4/1999	Halus et al.	D14/149
D442,141	S	*	5/2001	Ikenaga	D13/107
D454,561	S	*	3/2002	Hollinger	D14/253
D483,016	S	*	12/2003	Ma et al.	D13/108
D507,526	S	*	7/2005	Ohta	D13/108
D512,704	S	*	12/2005	Ron	D14/149
D555,630	S	*	11/2007	Udagawa et al.	D14/151
D561,177	S	*	2/2008	Mittersinker et al.	D14/217
D562,302	S	*	2/2008	Franck et al.	D14/149
D565,031	S	*	3/2008	Duncan Seil et al.	D14/217

D569,838	S	*	5/2008	Patten et al.	D14/145
D571,777	S	*	6/2008	Waterman et al.	D14/151
D585,397	S	*	1/2009	Hwang	D14/130
D608,337	S	*	1/2010	Quiros et al.	D14/149
D608,351	S	*	1/2010	Song	D14/217
D610,567	S	*	2/2010	Townsend	D14/149
D616,409	S	*	5/2010	Townsend et al.	D14/149
D620,464	S	*	7/2010	Quiros et al.	D14/130
D620,472	S	*	7/2010	Robinson et al.	D14/149
D623,642	S	*	9/2010	Wang	D14/253
2006/0221776	A1	*	10/2006	Roman et al.	369/1

* cited by examiner

Primary Examiner — Robert M Spear

Assistant Examiner — Carla Jobe Wright

(74) *Attorney, Agent, or Firm* — Kilpatrick Townsend & Stockton LLP; Kenneth R. Allen

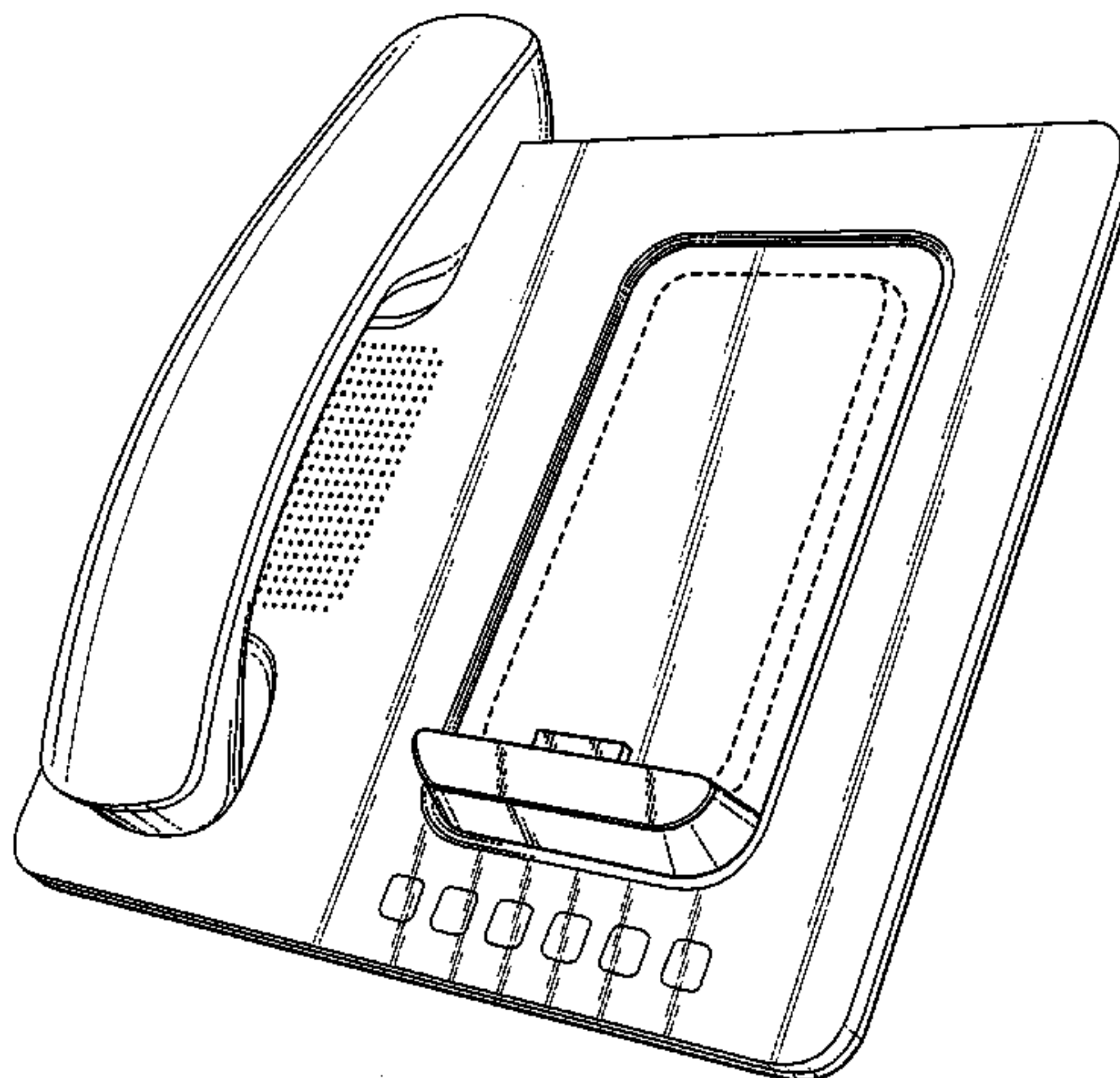
(57) **CLAIM**

The ornamental design for a docking station with handset for smartphone, as shown and described.

DESCRIPTION

FIG. 1 is a perspective view of a docking station with handset for smartphone showing our new design; FIG. 2 is a top plan view thereof shown without the environmental mobile telephone; FIG. 3 is a front elevational view thereof; FIG. 4 is a left side elevational view thereof; FIG. 5 is a right side elevational view thereof; FIG. 6 is a rear elevational view thereof; and, FIG. 7 is a bottom plan view thereof. In FIG. 1 the broken lines depict an environmental mobile telephone that forms no part of the claimed design. In FIGS. 3, 6, and 7, the broken lines immediately adjacent the claimed surfaces represent boundaries of the claimed design. All other broken lines depict unclaimed environment. The broken lines and unshaded surfaces bounded by broken lines form no part of the claimed design. In FIG. 7, the unshaded surface immediately outside of the outermost broken line periphery and bounded on the outside by a solid line periphery forms no part of the claimed design.

1 Claim, 4 Drawing Sheets



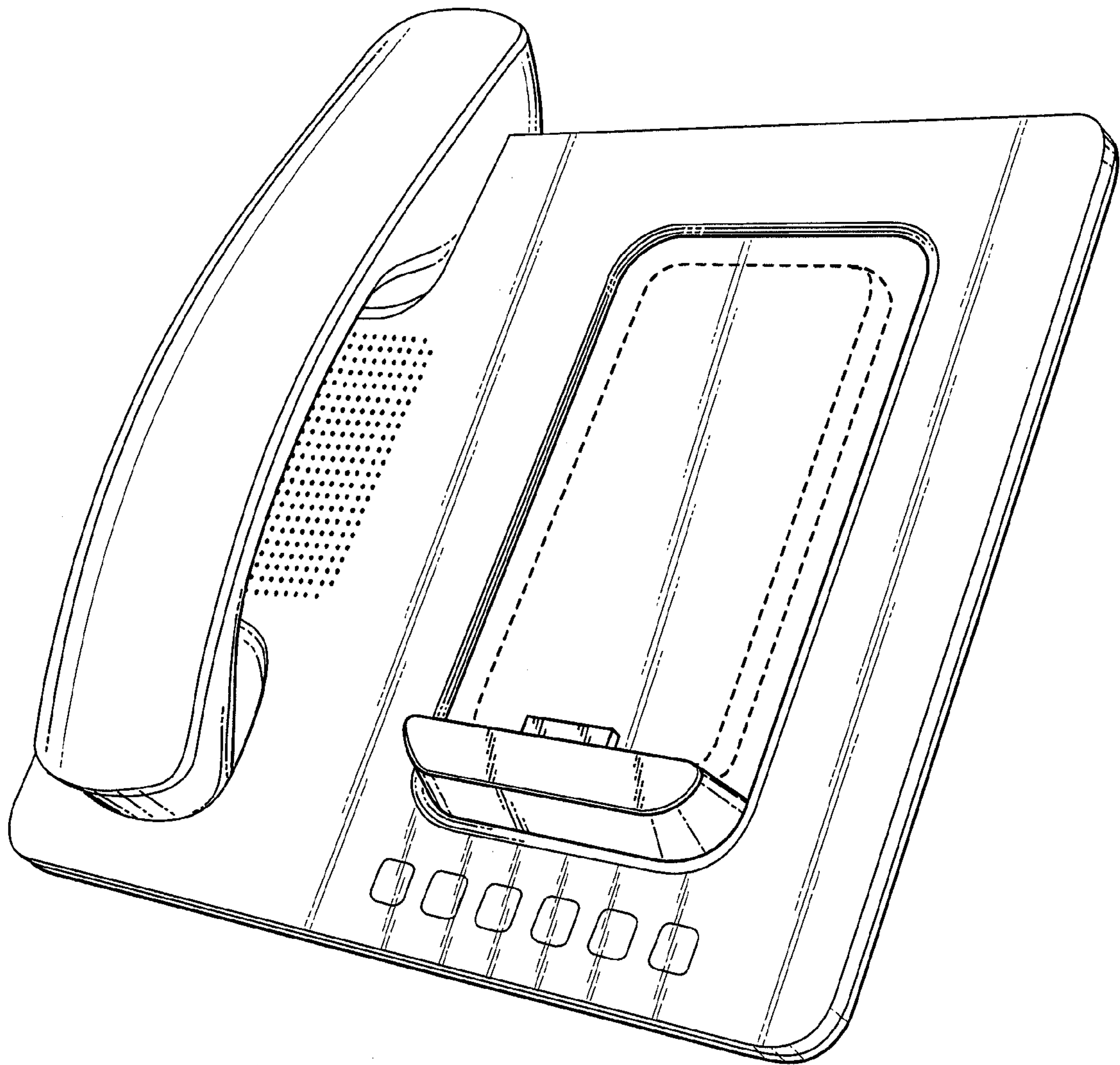


FIG. 1

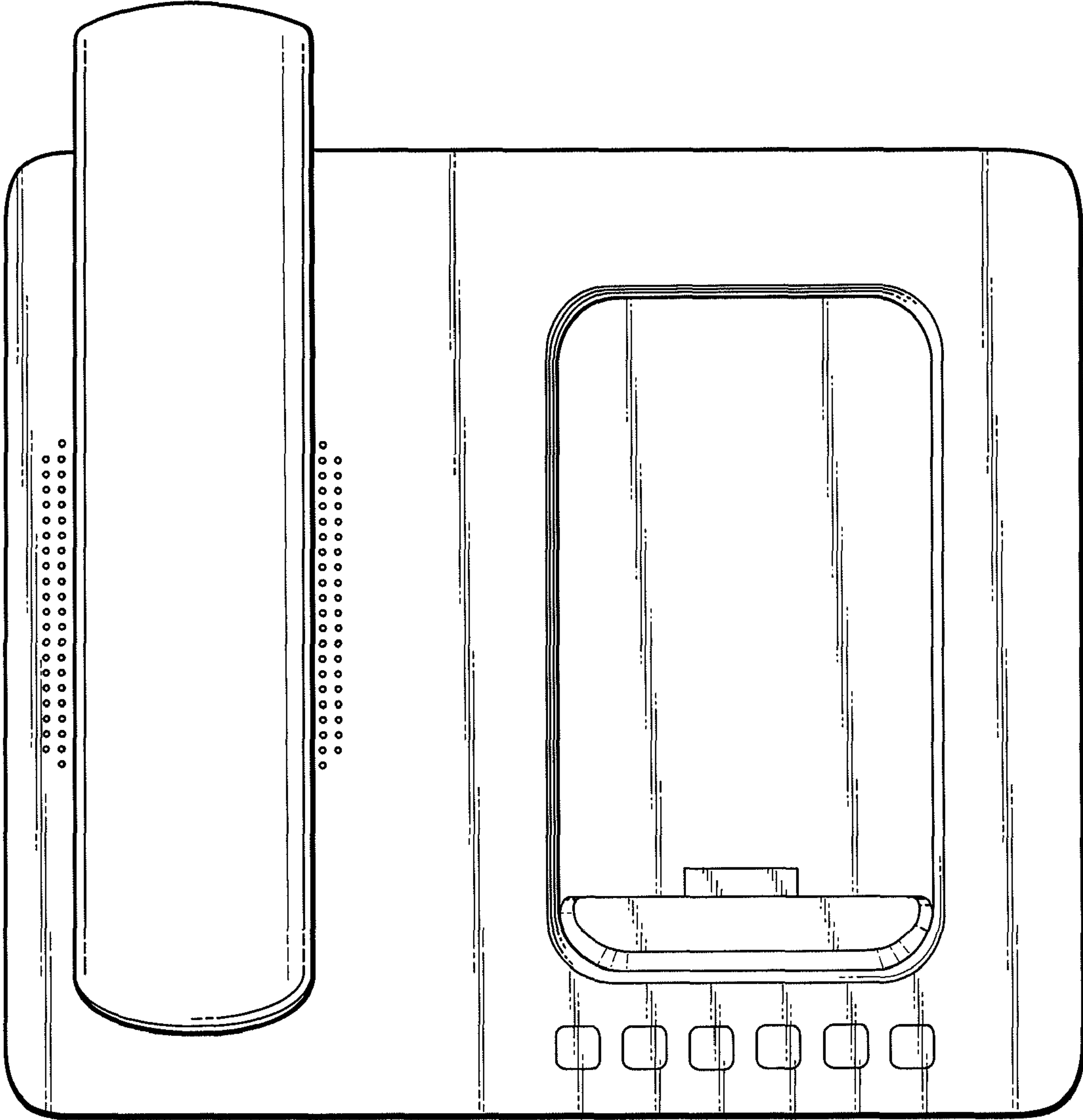


FIG. 2

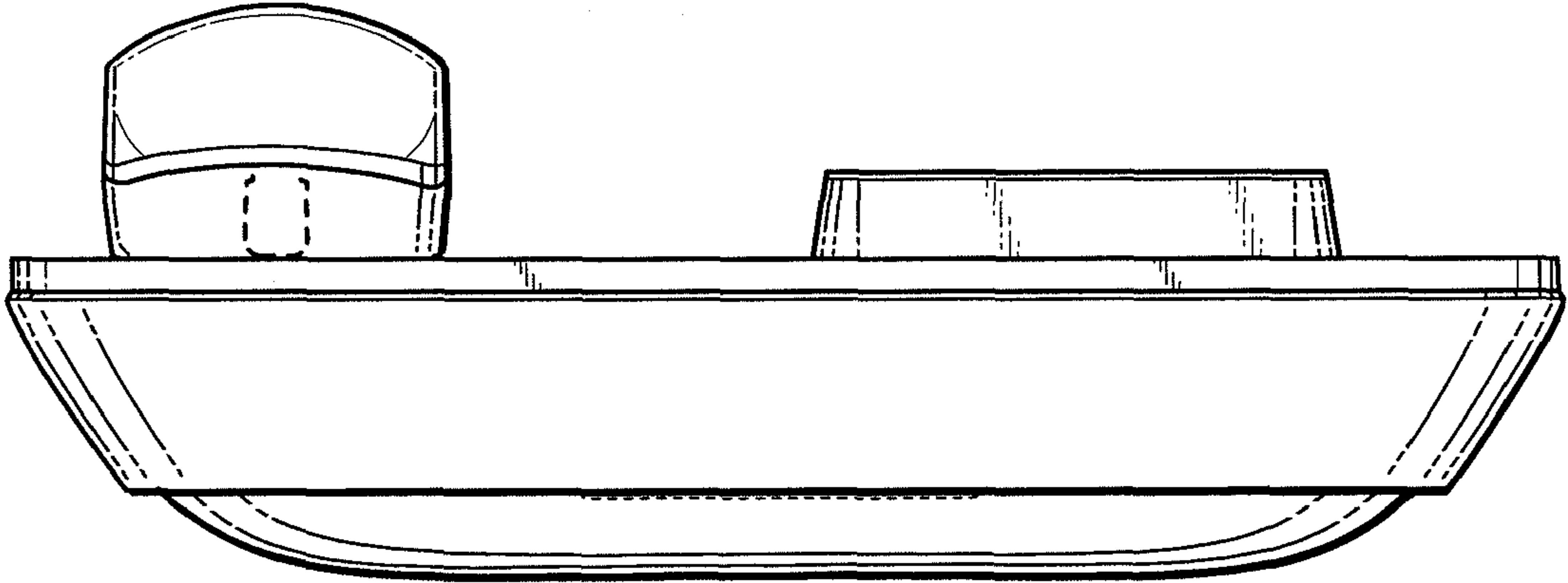


FIG. 3

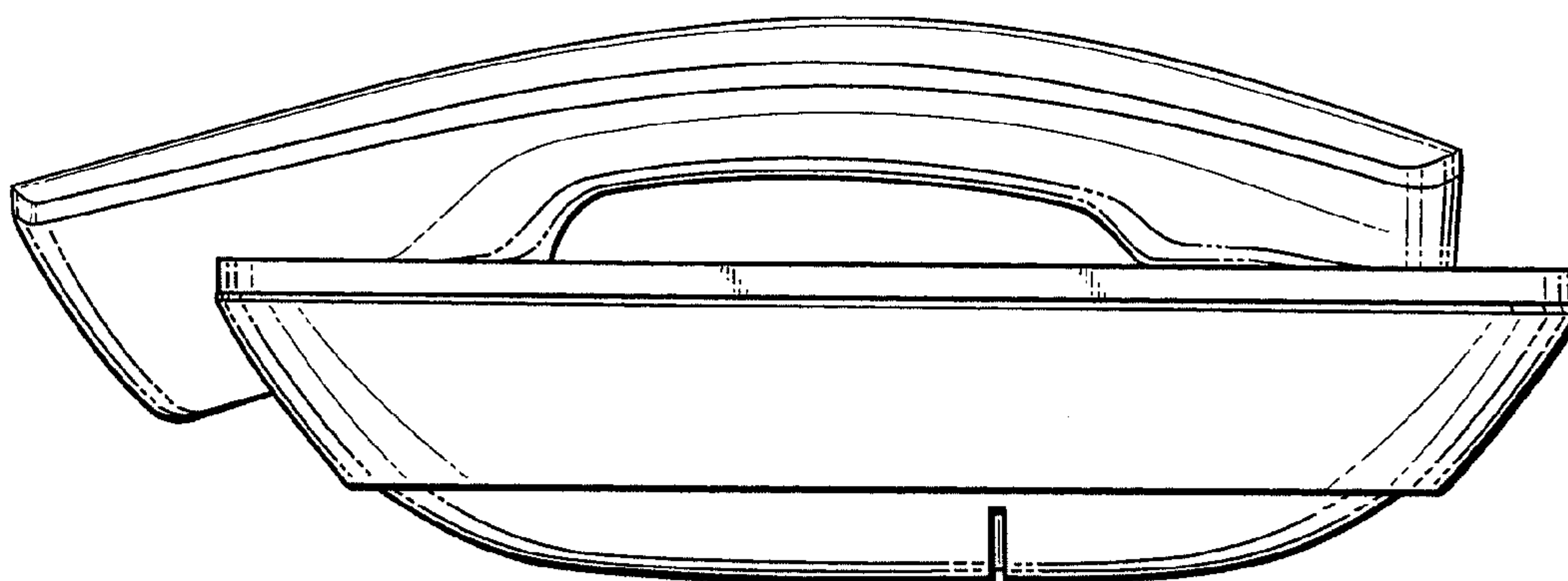


FIG. 4

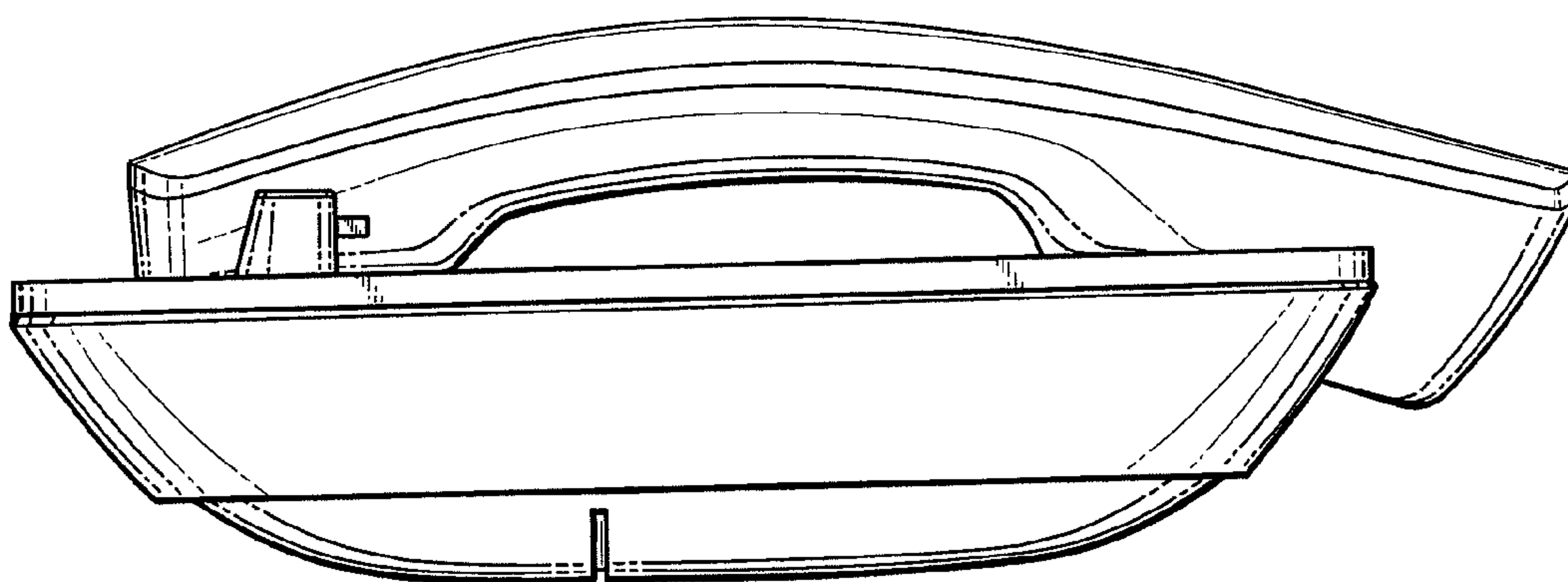


FIG. 5

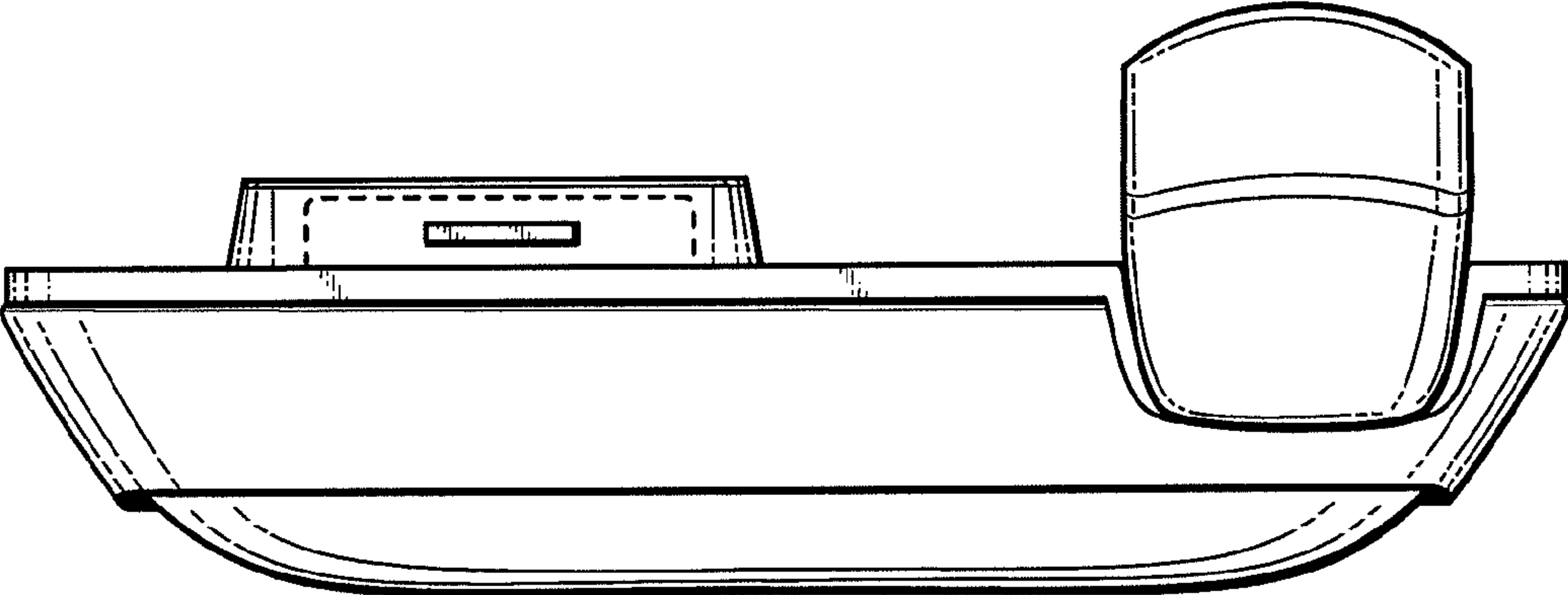


FIG. 6

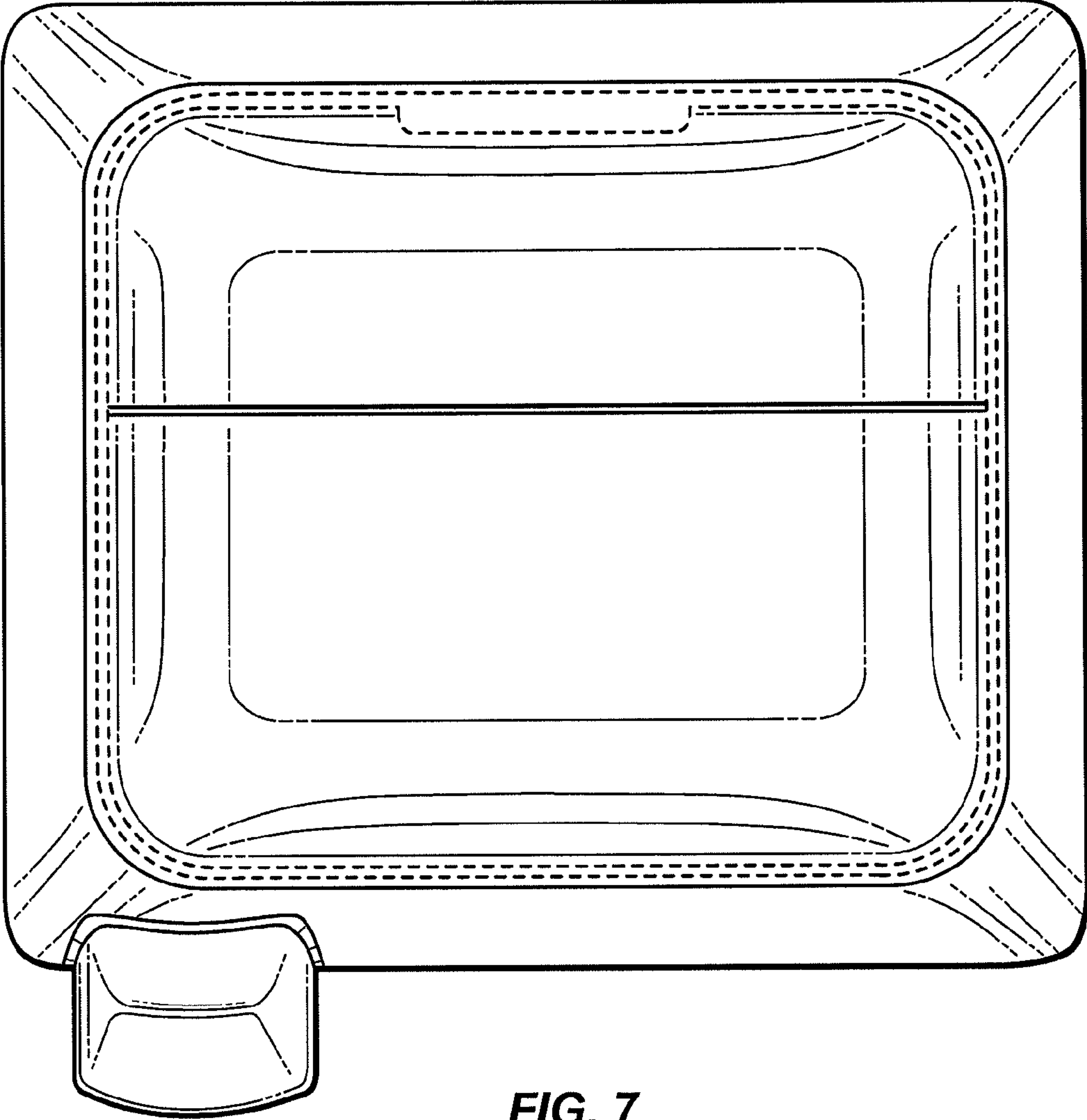


FIG. 7