



US00D638809S

(12) **United States Design Patent**
Morikawa et al.

(10) **Patent No.:** **US D638,809 S**
(45) **Date of Patent:** **** May 31, 2011**

(54) **SUBSTRATE FOR LIGHT SOURCE OF LIGHT EMITTING DIODE**

(75) Inventors: **Makoto Morikawa**, Nara (JP); **Toshifumi Ogata**, Osaka (JP); **Kenji Sugiura**, Osaka (JP); **Noriyasu Tanimoto**, Osaka (JP); **Masumi Abe**, Osaka (JP); **Ryo Minamihata**, Osaka (JP)

(73) Assignee: **Panasonic Corporation**, Osaka (JP)

(**) Term: **14 Years**

(21) Appl. No.: **29/378,856**

(22) Filed: **Nov. 10, 2010**

(30) **Foreign Application Priority Data**

May 14, 2010 (JP) 2010-011833

(51) **LOC (9) Cl.** **13-03**

(52) **U.S. Cl.** **D13/180; D13/182**

(58) **Field of Classification Search** D13/180, D13/182; D26/1, 2; 257/79, 80, 81, 88, 257/89, 95, 98, 99, 100, E33.058; 313/483, 313/498, 500; 362/555, 800

See application file for complete search history.

(56) **References Cited**

U.S. PATENT DOCUMENTS

5,309,001 A * 5/1994 Watanabe et al. 257/99
D457,146 S * 5/2002 Yamamoto et al. D13/182
D522,975 S * 6/2006 Egawa et al. D13/180

D526,972 S * 8/2006 Egawa et al. D13/180
D575,245 S * 8/2008 Yen D13/180
D582,865 S * 12/2008 Edmond et al. D13/180
D585,847 S * 2/2009 Roberts et al. D13/180
2009/0108281 A1 * 4/2009 Keller et al. 257/98
2009/0122514 A1 * 5/2009 Yoon et al. 362/84
2011/0042707 A1 * 2/2011 Lim et al. 257/99

* cited by examiner

Primary Examiner — Selina Sikder

(74) *Attorney, Agent, or Firm* — Brinks Hofer Gilson & Lione

(57) **CLAIM**

We claim the ornamental design for a substrate for light source of light emitting diode, as shown and described.

DESCRIPTION

FIG. 1 is a front perspective view of a substrate for light source of light emitting diode of the present invention; FIG. 2 is a front view thereof; FIG. 3 is a rear view thereof; FIG. 4 is a first side view thereof; FIG. 5 is a second side view thereof; FIG. 6 is a top view thereof; and, FIG. 7 is a bottom view thereof.

The broken line showing of substrate for light source of light emitting diode is included for the purpose of illustrating environment and forms no part of the claimed design. Additionally, the unevenly broken lines in the drawings define the limits of the claimed design.

1 Claim, 5 Drawing Sheets

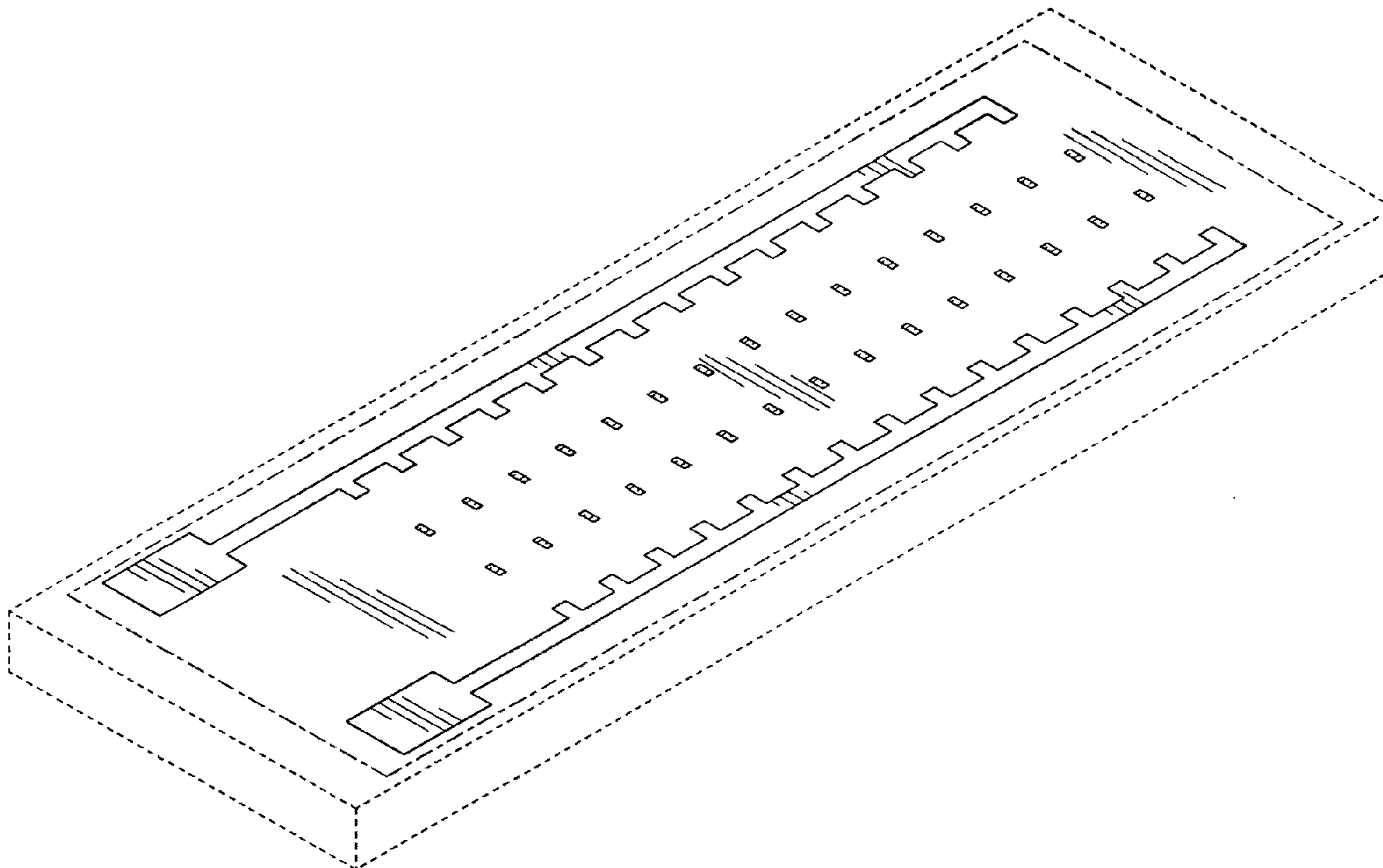


FIG.1

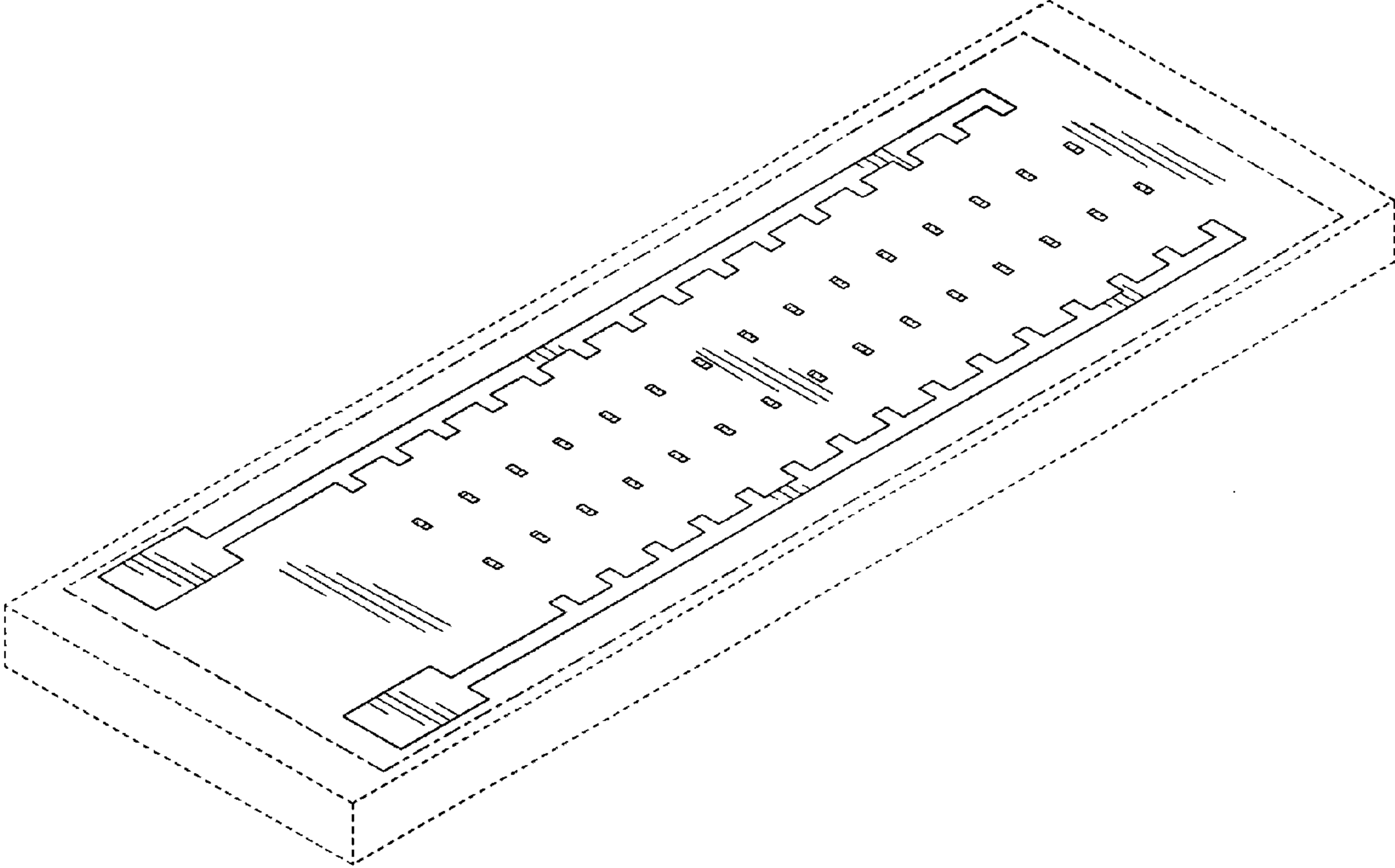


FIG.2

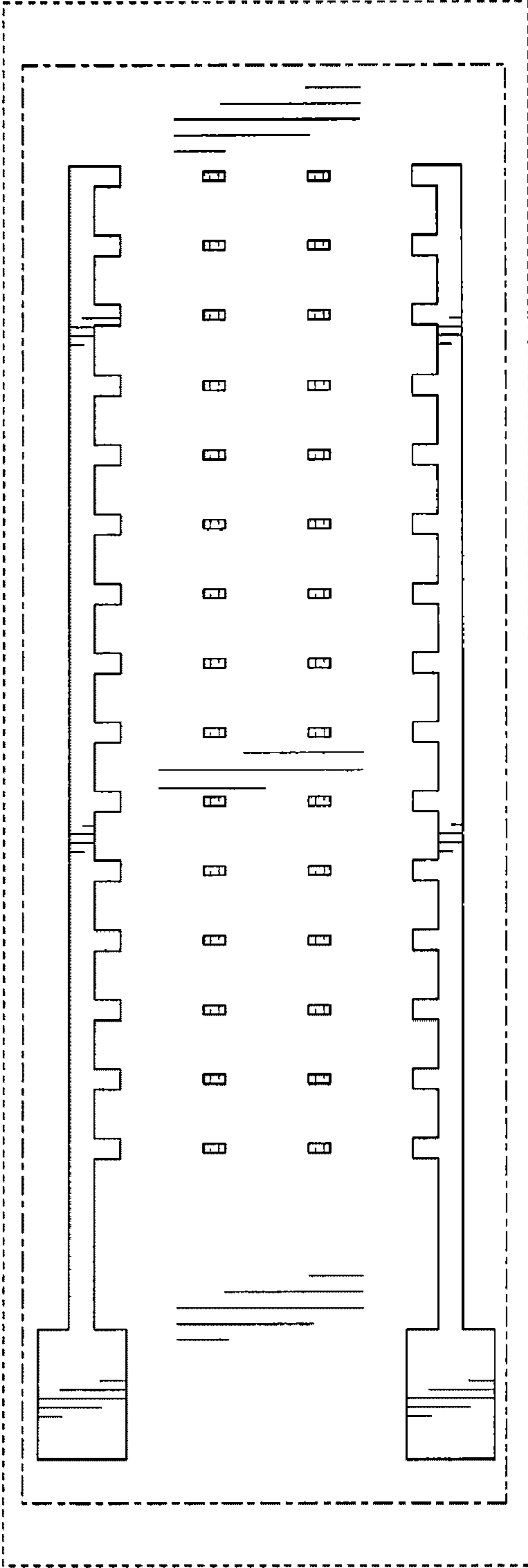


FIG.3



FIG.4

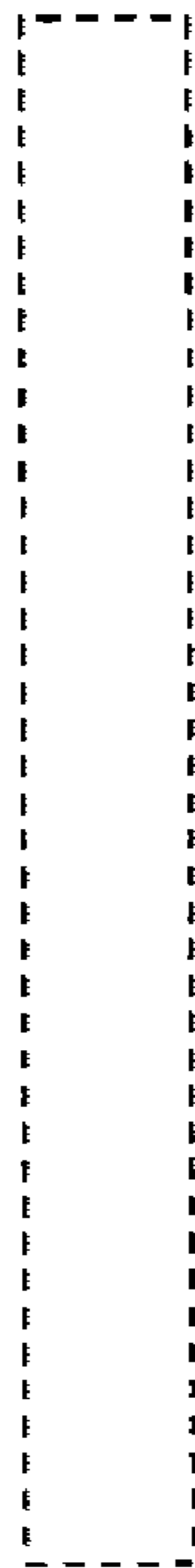


FIG.5

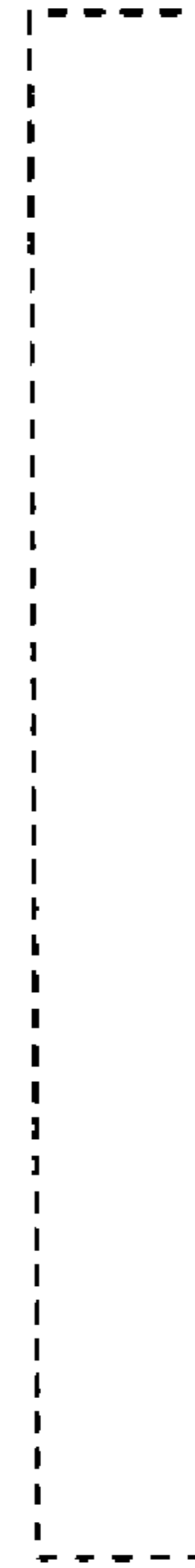


FIG.6



FIG.7

