



US00D638808S

(12) **United States Design Patent**
Ko et al.

(10) **Patent No.:** **US D638,808 S**

(45) **Date of Patent:** **** *May 31, 2011**

(54) **LEAD FRAME**

(75) Inventors: **Bo-Yu Ko**, Hsinchu (TW); **Ya-Hsien Chang**, Hsinchu (TW); **Chun-Wei Wang**, Hsinchu (TW)

(73) Assignee: **Lextar Electronics Corporation**, Hsinchu (TW)

(*) Notice: This patent is subject to a terminal disclaimer.

(**) Term: **14 Years**

(21) Appl. No.: **29/367,271**

(22) Filed: **Aug. 5, 2010**

(30) **Foreign Application Priority Data**

Feb. 5, 2010 (TW) 99300559

(51) **LOC (9) Cl.** **13-03**

(52) **U.S. Cl.** **D13/180**

(58) **Field of Classification Search** D13/180;
D26/2; 257/79, 80, 81, 88, 89, 95, 98, 99,
257/100, E33.058; 313/483, 498, 500; 362/555,
362/800

See application file for complete search history.

(56) **References Cited**

U.S. PATENT DOCUMENTS

7,009,285 B2 * 3/2006 Su et al. 257/680
D529,452 S * 10/2006 Kim et al. D13/180
D530,684 S * 10/2006 Tzeng D13/180
D531,141 S * 10/2006 Tzeng D13/180
D534,132 S * 12/2006 Yoon D13/180
D570,799 S * 6/2008 Lee et al. D13/180

D595,673 S * 7/2009 Hussell et al. D13/180
D599,305 S * 9/2009 Kim et al. D13/180
D601,518 S * 10/2009 Lee et al. D13/180
D605,609 S * 12/2009 Lee et al. D13/180
D605,610 S * 12/2009 Han et al. D13/180
D606,032 S * 12/2009 Lee et al. D13/180
D608,307 S * 1/2010 Hussell et al. D13/180
7,701,050 B2 * 4/2010 Chen et al. 257/693
D622,231 S * 8/2010 Sung D13/180
2005/0121688 A1 * 6/2005 Nagai et al. 257/99
2006/0023451 A1 * 2/2006 Han et al. 362/249

* cited by examiner

Primary Examiner — Selina Sikder

(74) *Attorney, Agent, or Firm* — Kirton & McConkie; Evan R. Witt

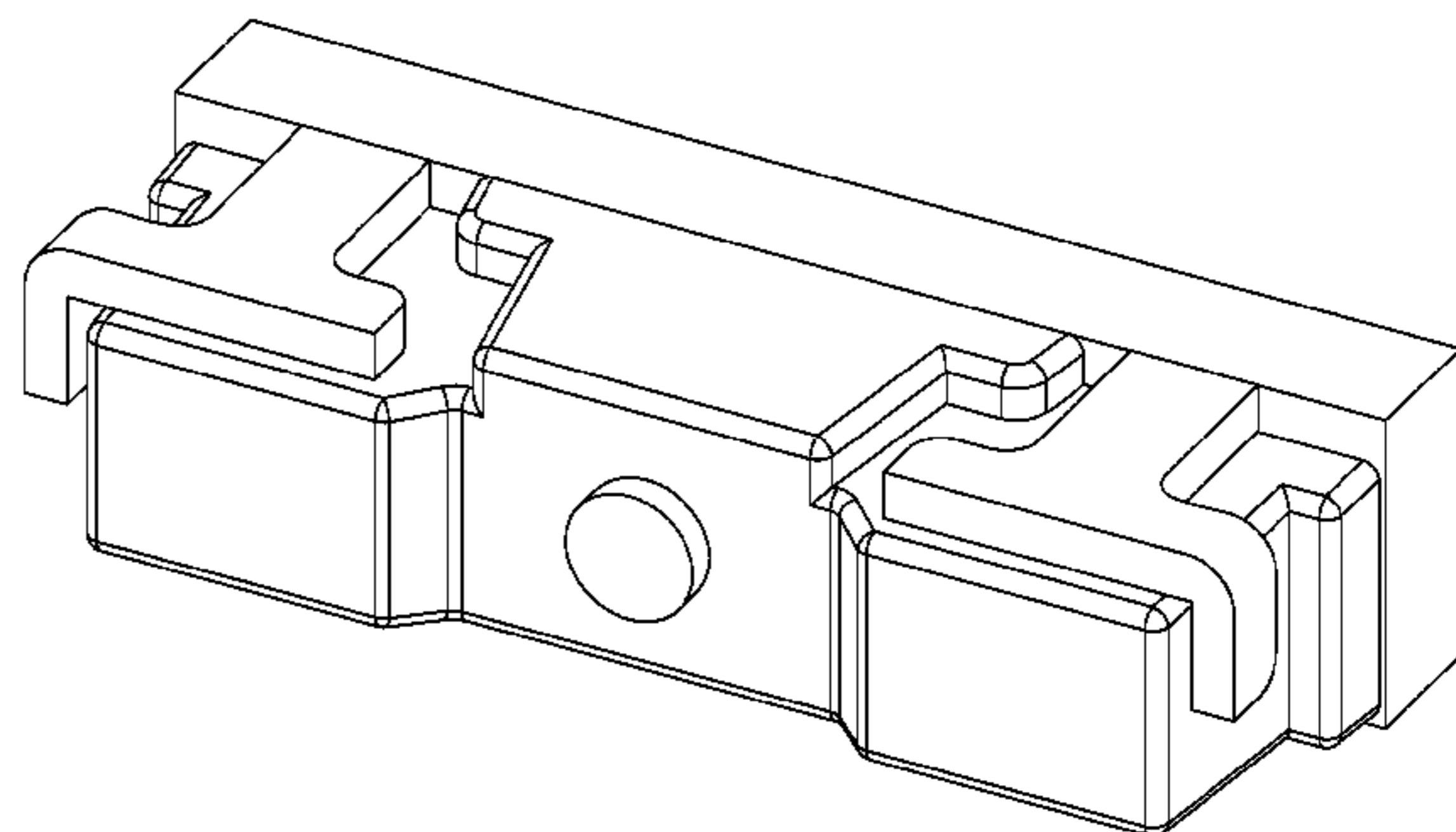
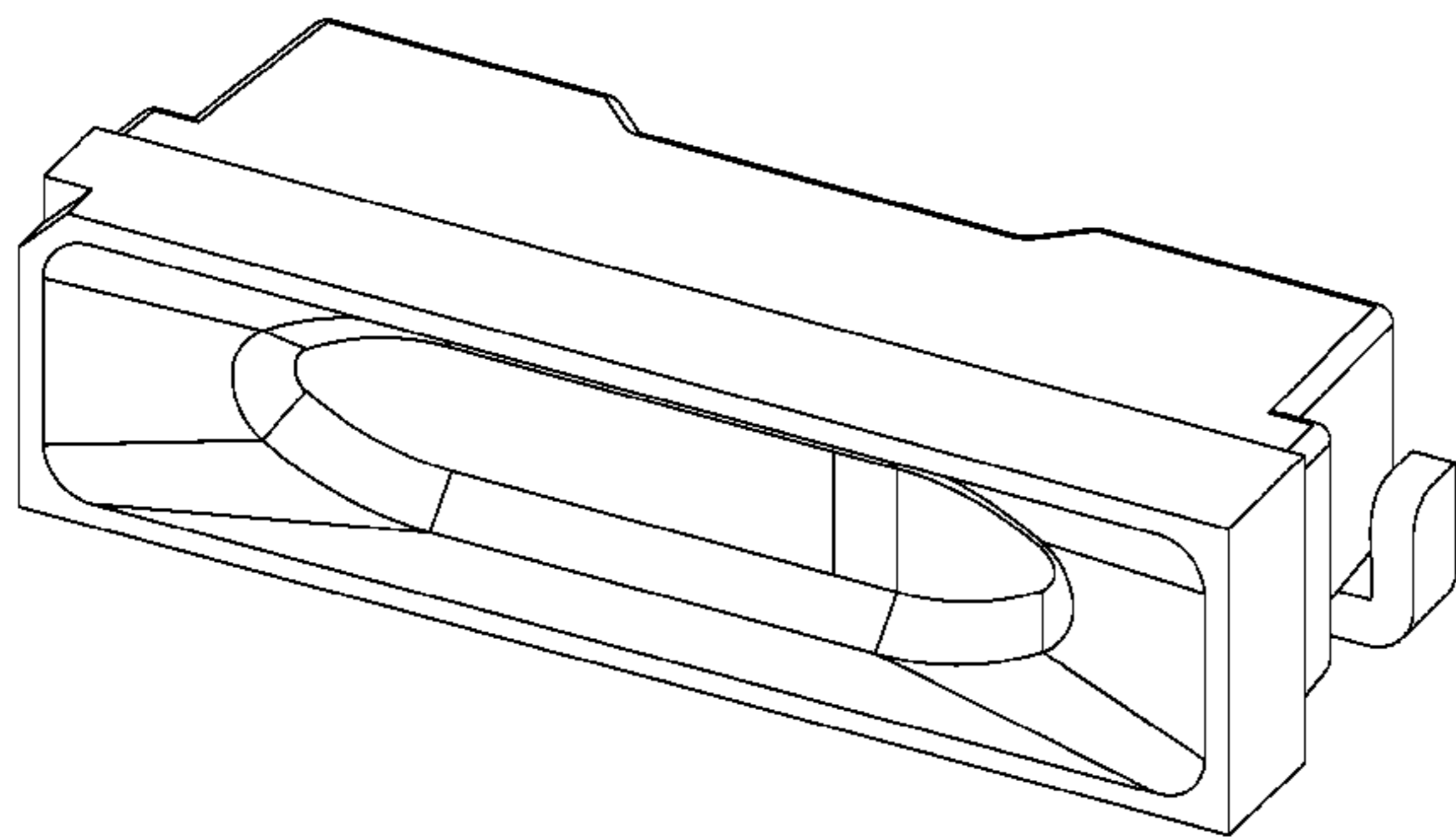
(57) **CLAIM**

The ornamental design for a lead frame, as shown and described.

DESCRIPTION

FIG. 1 is a three dimensional view of a lead frame showing our new design;
FIG. 2 is a right side view thereof;
FIG. 3 is a top view thereof;
FIG. 4 is a front view thereof;
FIG. 5 is a bottom view thereof;
FIG. 6 is a left side view thereof;
FIG. 7 is a rear view thereof;
FIG. 8 is a cross-sectional view of the lead frame of FIG. 4, taken along the line A—A;
FIG. 9 is a cross-sectional view of the lead frame of FIG. 4, taken along the line B—B; and,
FIG. 10 is another three dimensional view of the lead frame, viewed from another aspect of FIG. 1.

1 Claim, 10 Drawing Sheets



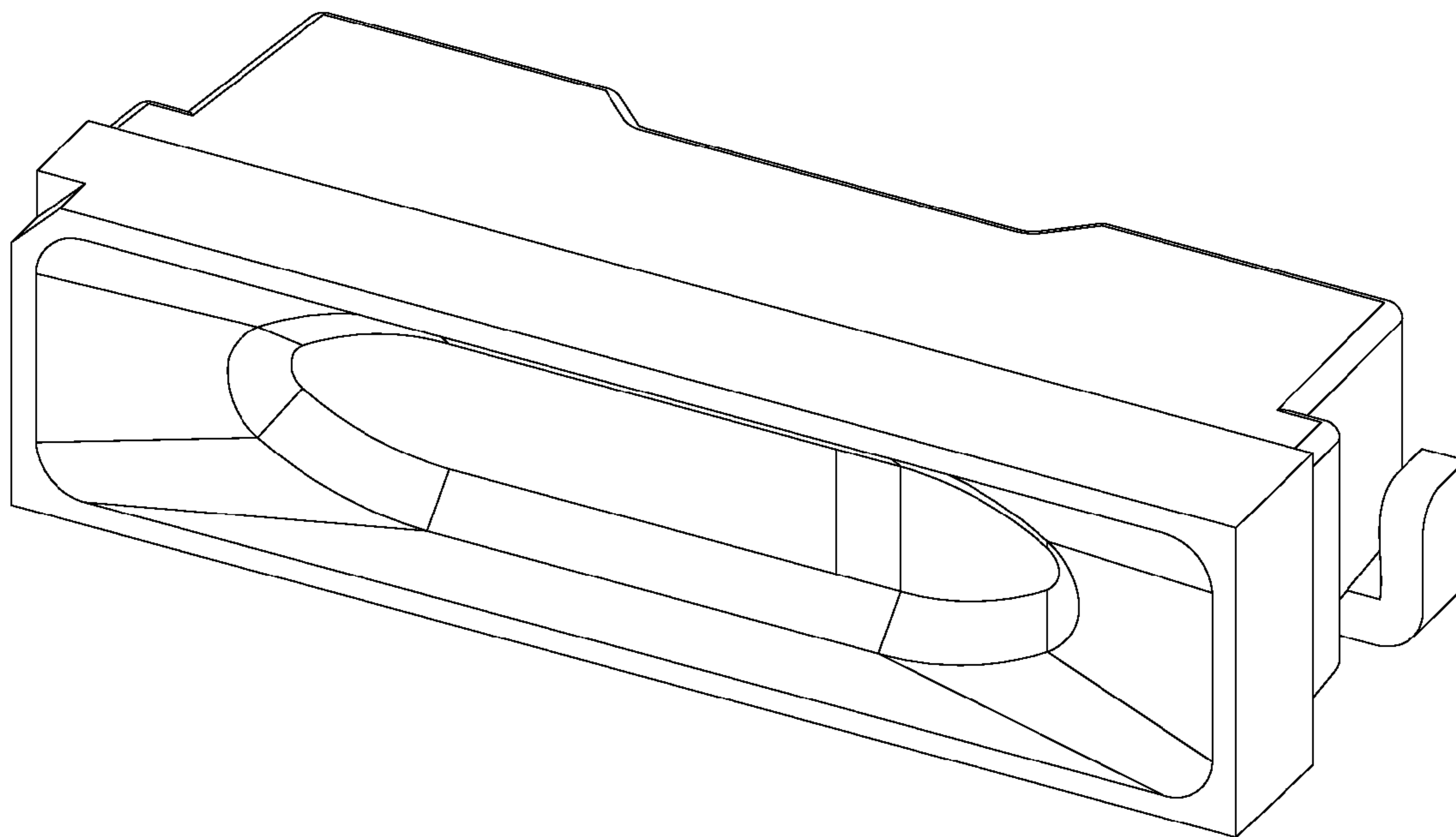


FIG. 1

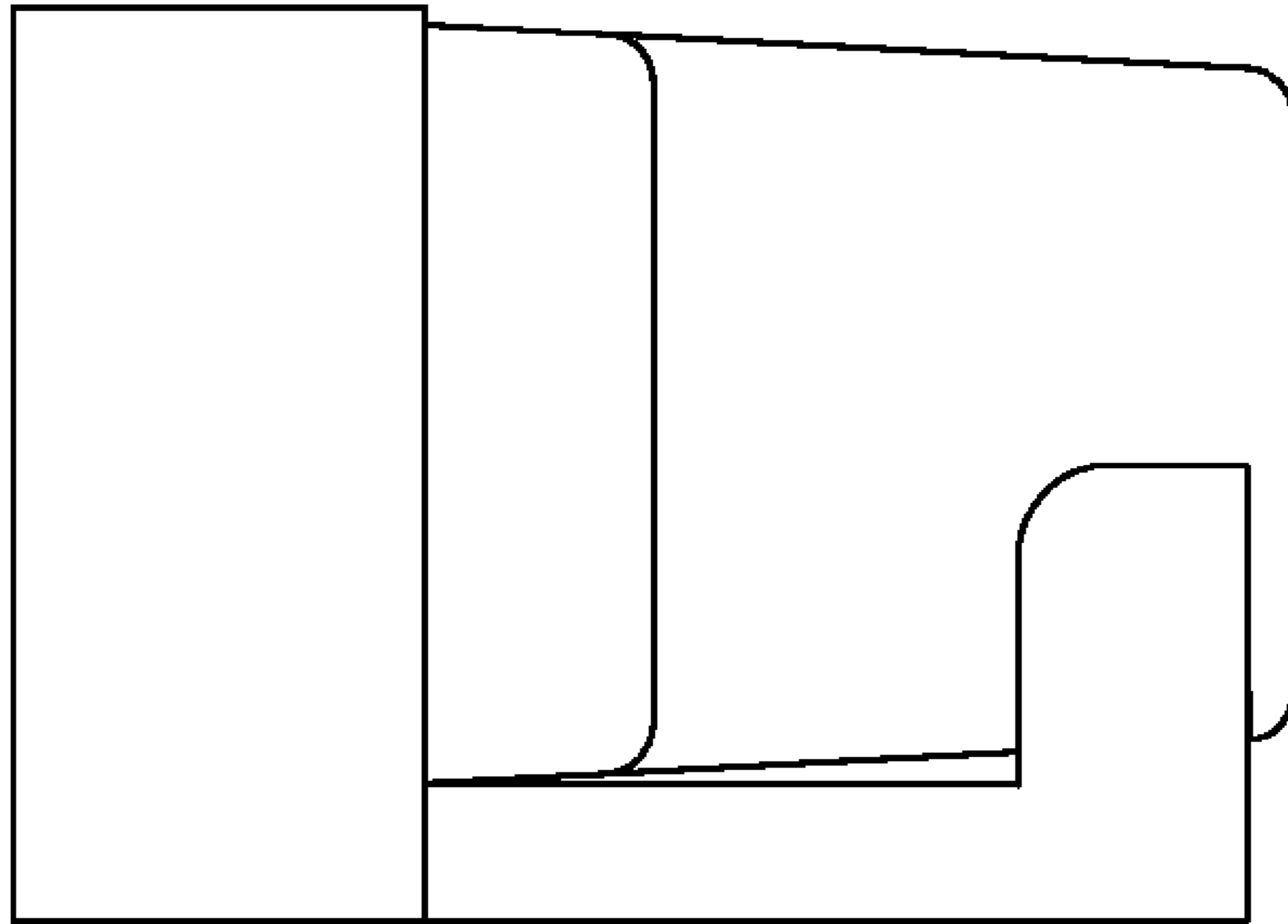


FIG. 2

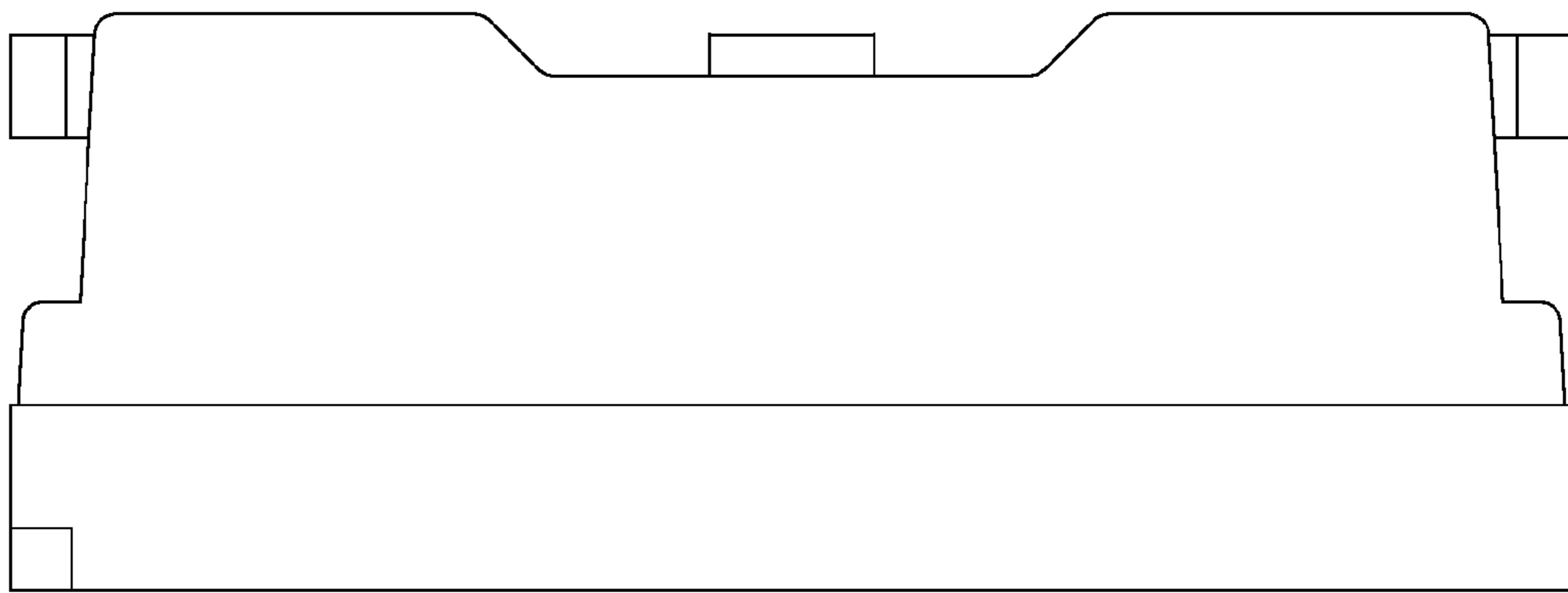


FIG. 3

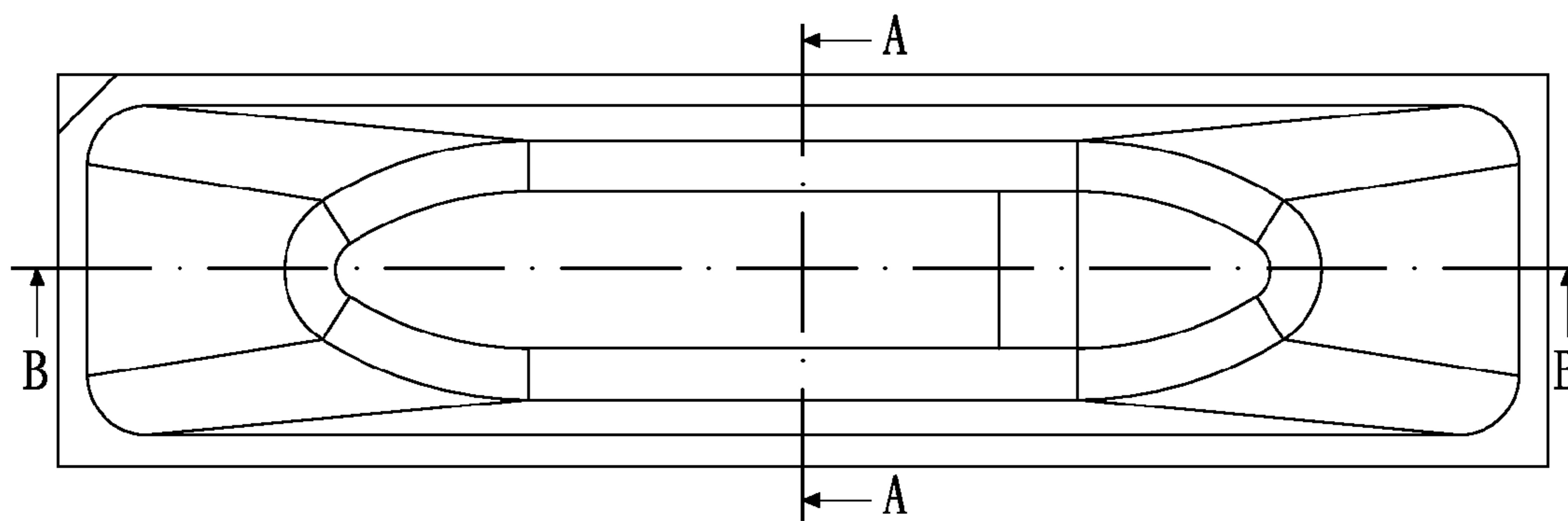


FIG. 4

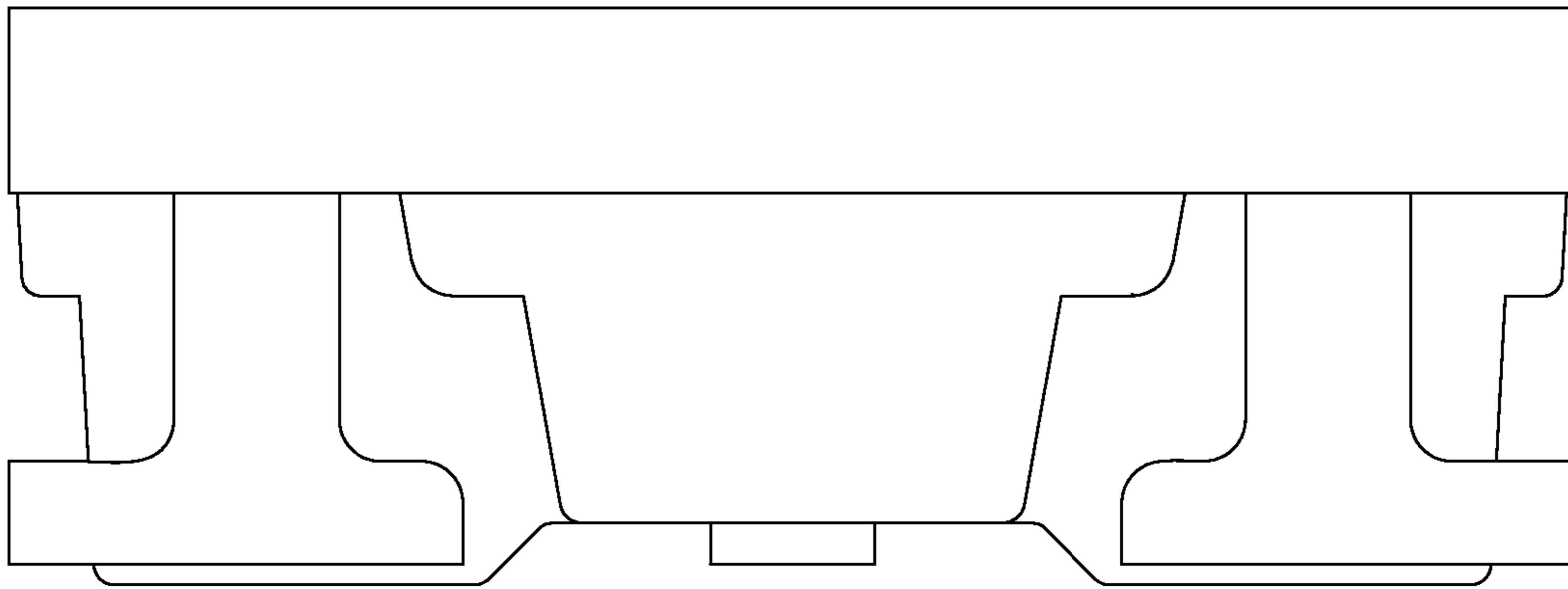


FIG. 5

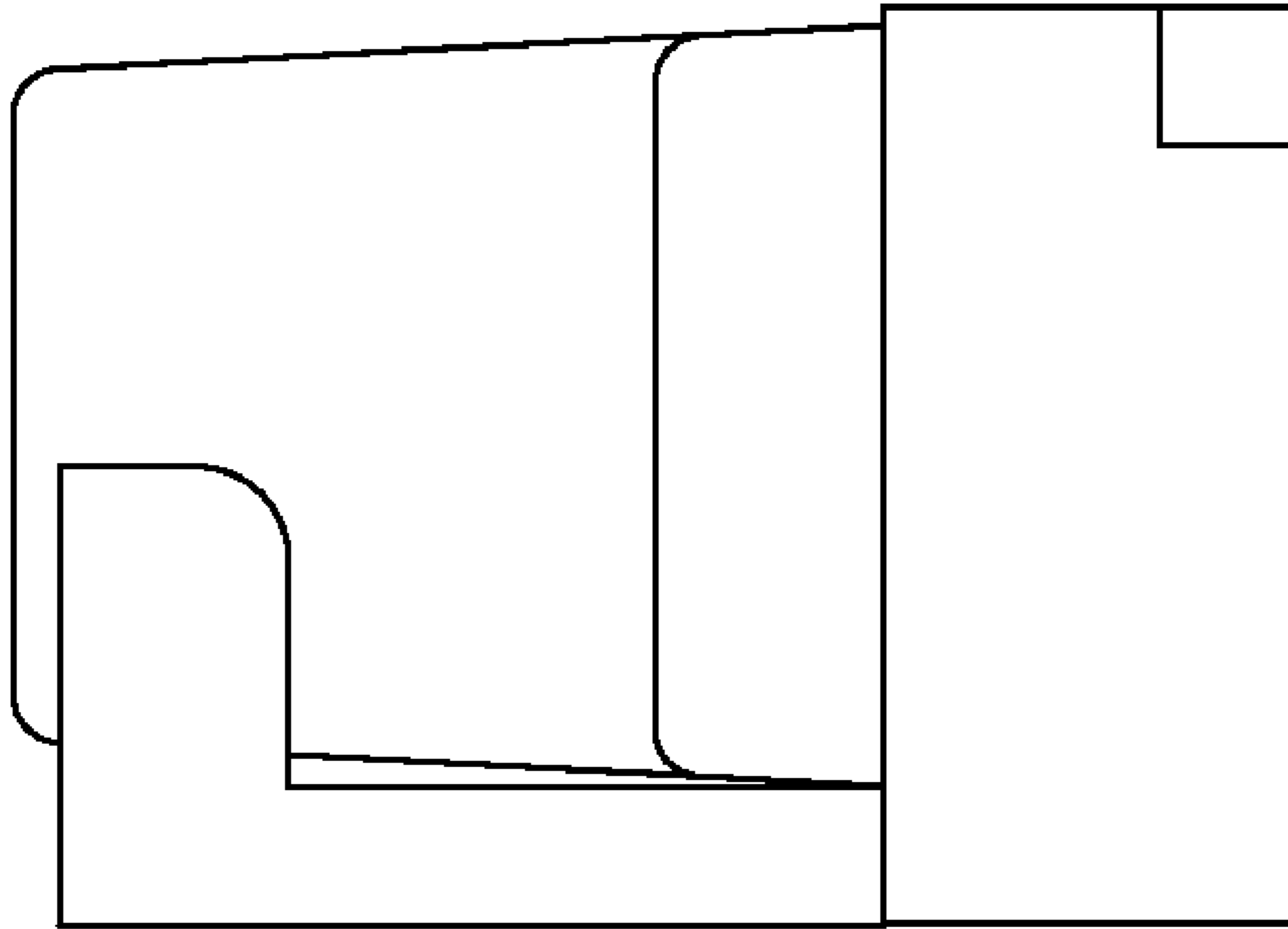


FIG. 6

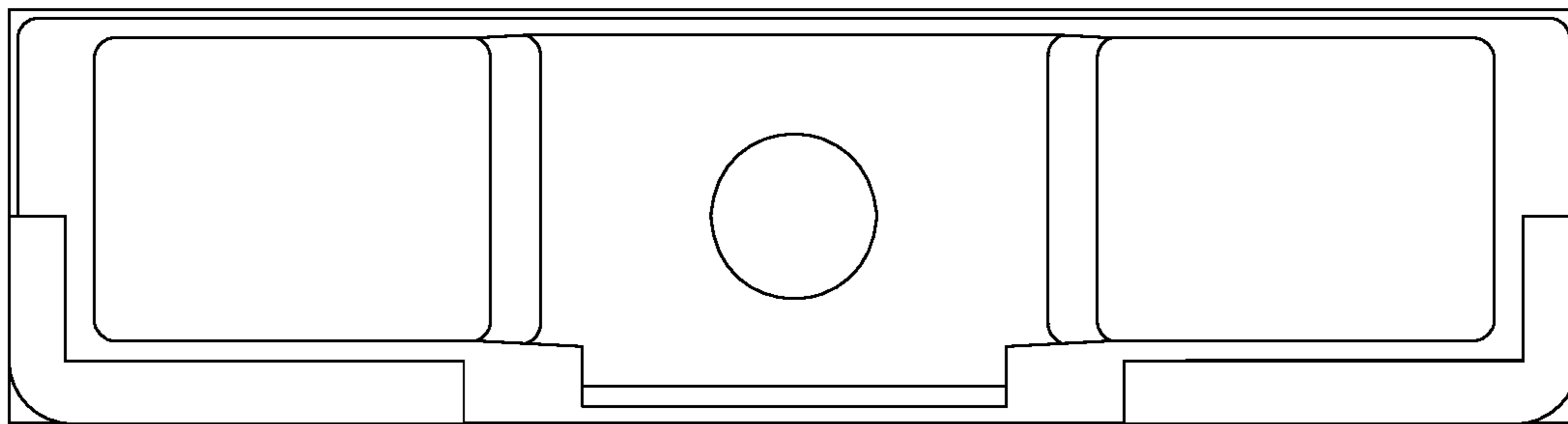


FIG. 7

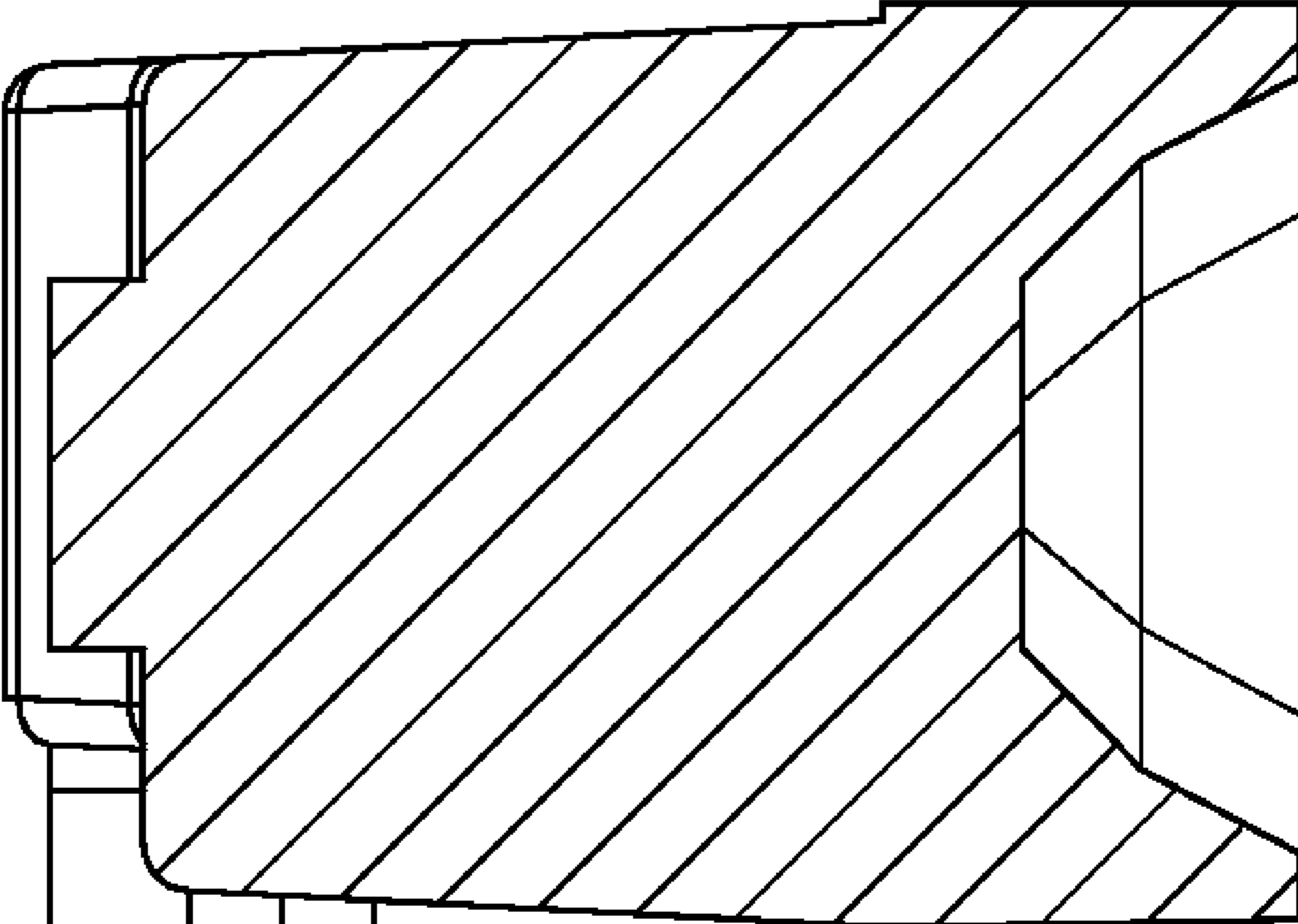


FIG. 8

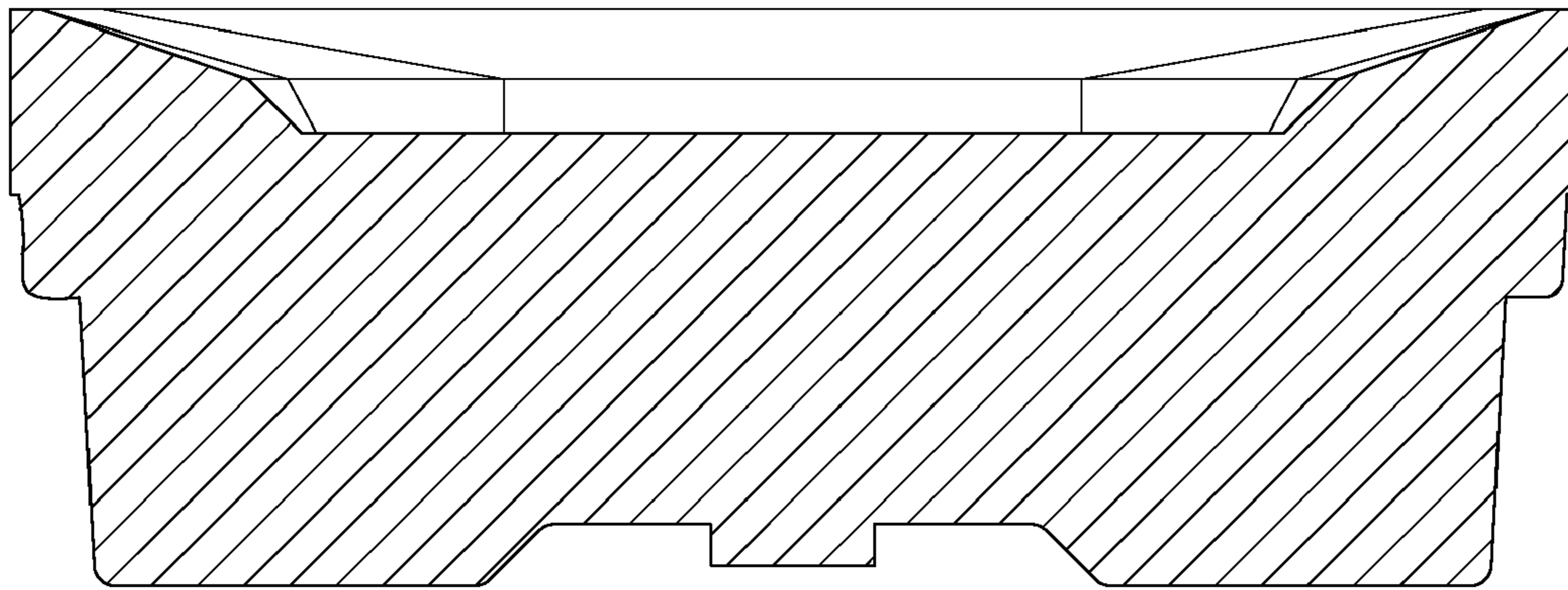


FIG. 9

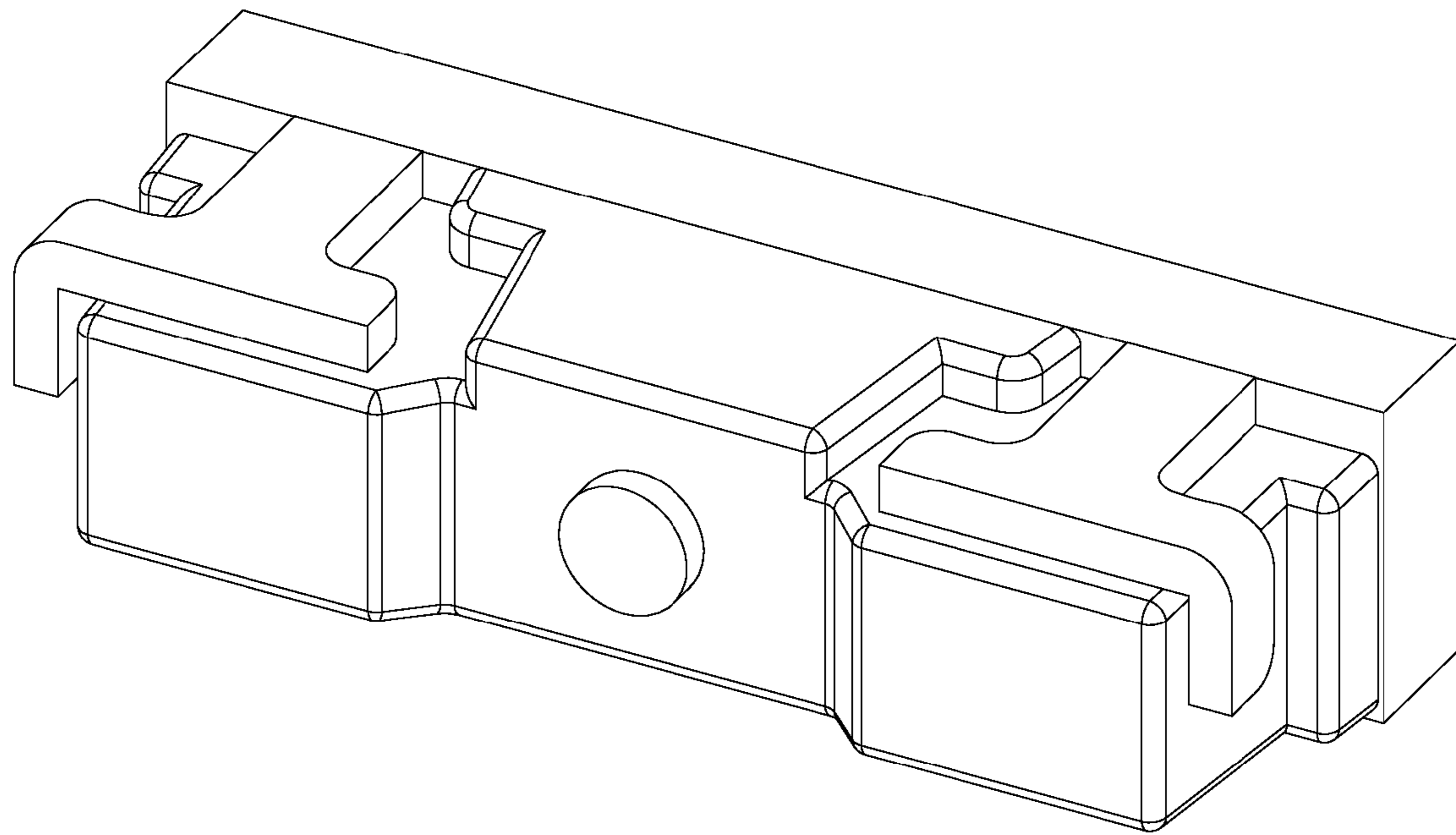


FIG. 10