



US00D638807S

(12) **United States Design Patent**
Chan et al.

(10) **Patent No.:** **US D638,807 S**

(45) **Date of Patent:** **** May 31, 2011**

(54) **COIL RACK**

(75) Inventors: **Chun-Kong Chan**, Taipei County (TW);
Chi Ching Chen, Taipei County (TW)

(73) Assignee: **Lien Chang Electronic Enterprise Co., Ltd.**, Taipei County (TW)

(**) Term: **14 Years**

(21) Appl. No.: **29/366,727**

(22) Filed: **Jul. 29, 2010**

(51) **LOC (9) Cl.** **13-03**

(52) **U.S. Cl.** **D13/179**

(58) **Field of Classification Search** D13/179,
D13/184; 165/80.3, 104.33, 151, 122, 185;
257/706, 707, 718-722; 361/687, 695, 697,
361/700, 702, 704, 709, 710, 711, 719; 336/208;
415/213.1; 417/423.14; D23/411
See application file for complete search history.

(56) **References Cited**

U.S. PATENT DOCUMENTS

5,864,465 A * 1/1999 Liu 361/697
6,109,890 A * 8/2000 Horng 417/423.14
D434,394 S * 11/2000 Hsieh D13/179

6,236,298 B1 * 5/2001 Chen 336/208
D465,771 S * 11/2002 Hsieh D13/179
D466,092 S * 11/2002 Hsieh D13/179
D478,875 S * 8/2003 Lee D13/179
D480,468 S * 10/2003 Hoshina et al. D23/411
D492,654 S * 7/2004 Lei et al. D13/179
7,198,464 B2 * 4/2007 Kuo 415/213.1

* cited by examiner

Primary Examiner — Selina Sikder

(74) *Attorney, Agent, or Firm* — Rosenberg, Klein & Lee

(57) **CLAIM**

The ornamental design for a “coil rack,” as shown and described.

DESCRIPTION

FIG. 1 is a perspective view of a “coil rack” showing our new design;

FIG. 2 is a front view thereof;

FIG. 3 is a rear view thereof;

FIG. 4 is a left side view thereof;

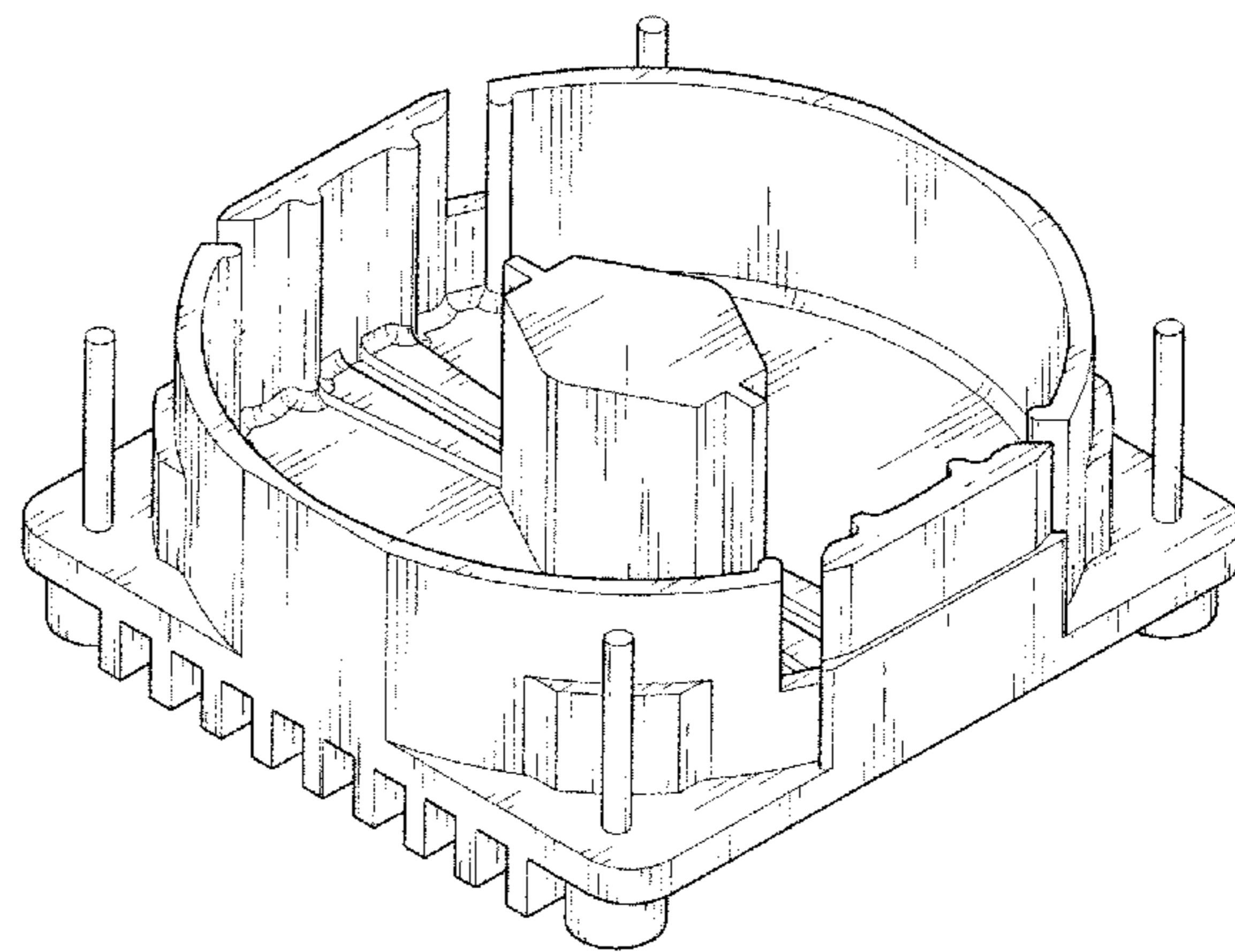
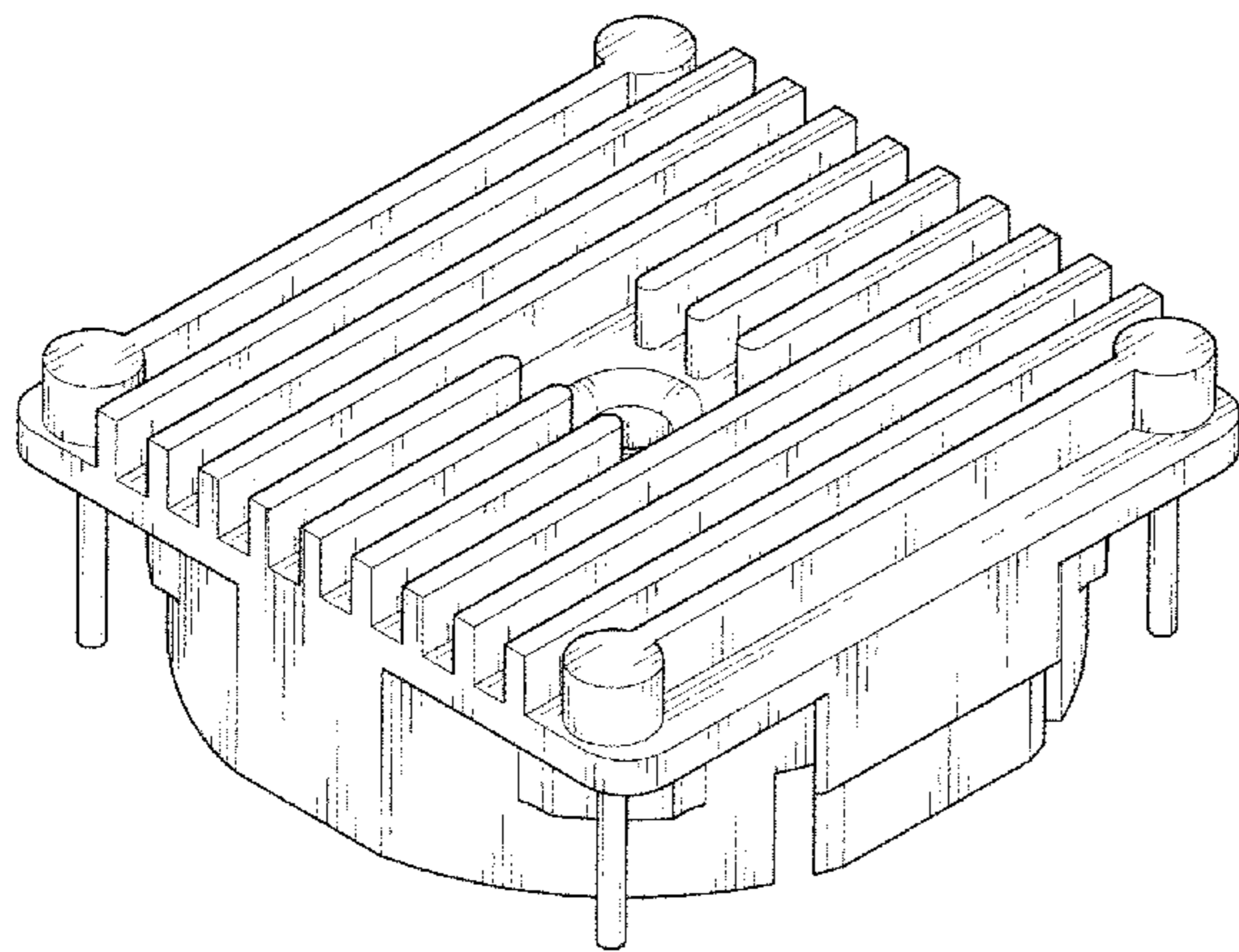
FIG. 5 is a right side view thereof;

FIG. 6 is a top view thereof;

FIG. 7 is a bottom view thereof; and,

FIG. 8 is a perspective view showing the practical usage.

1 Claim, 5 Drawing Sheets



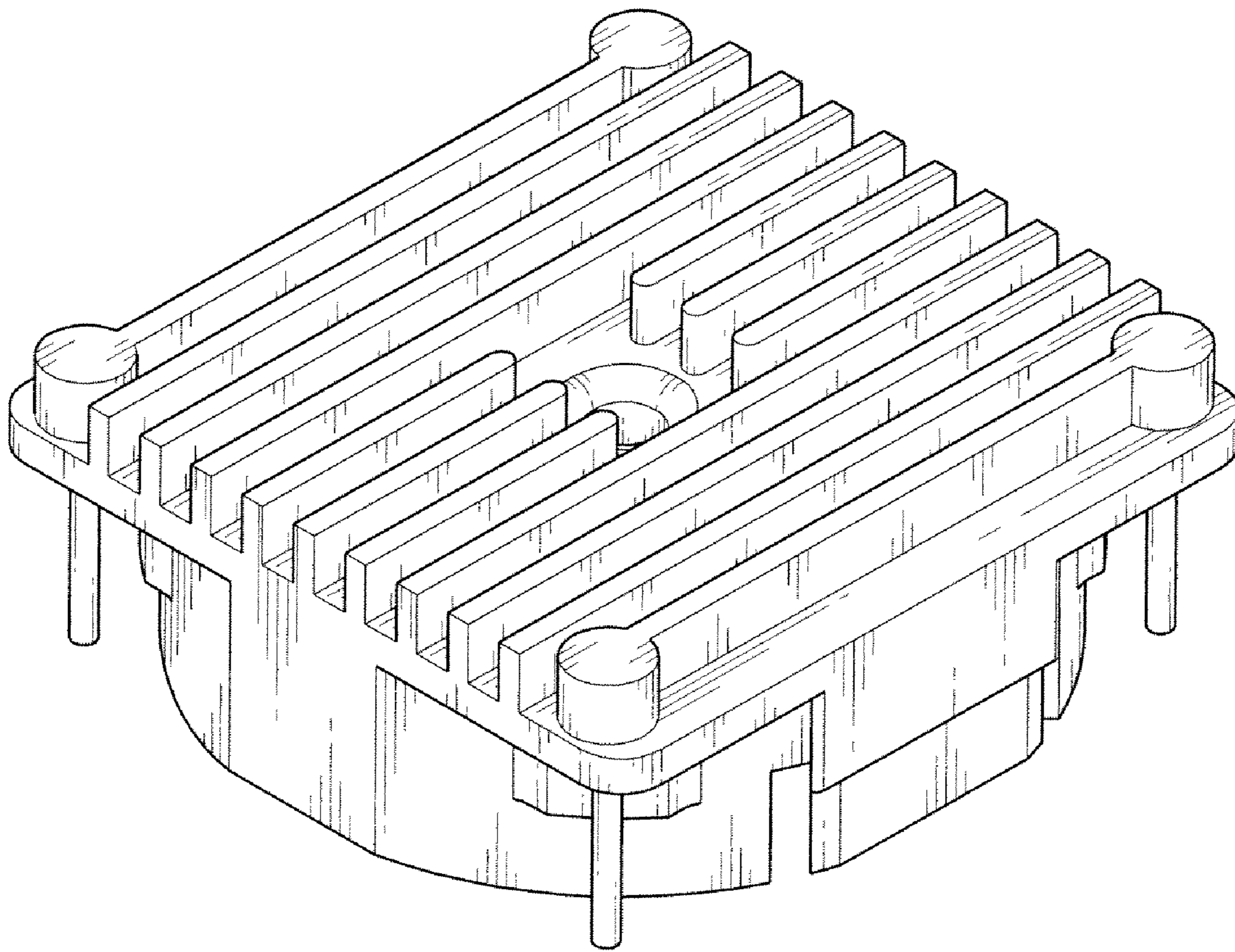


FIG. 1

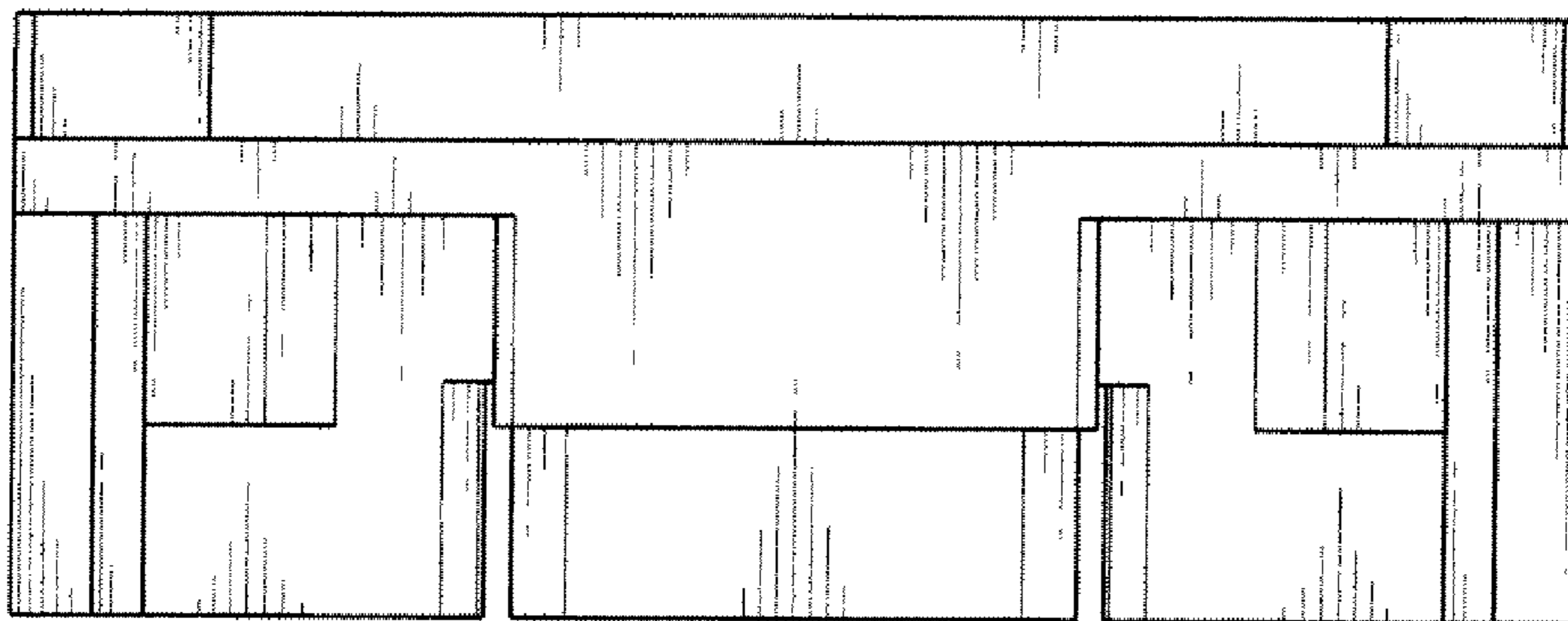


FIG. 2

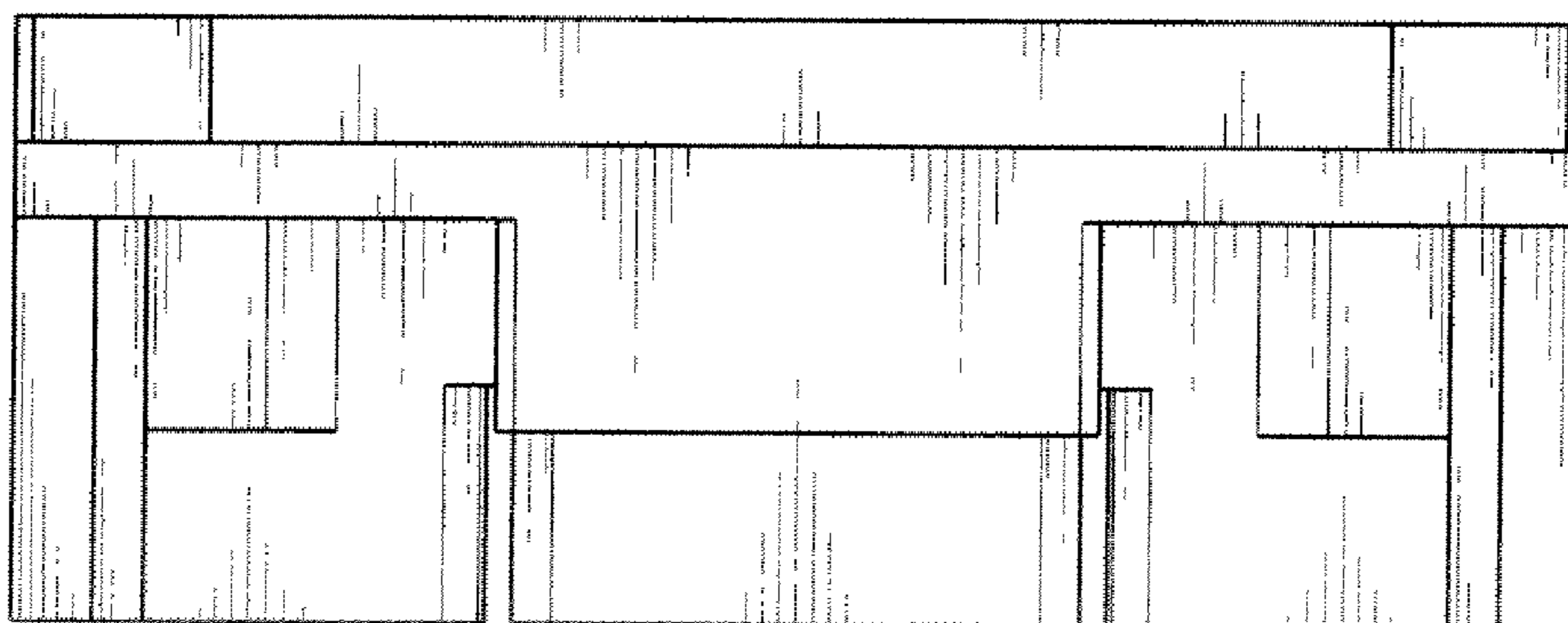


FIG. 3

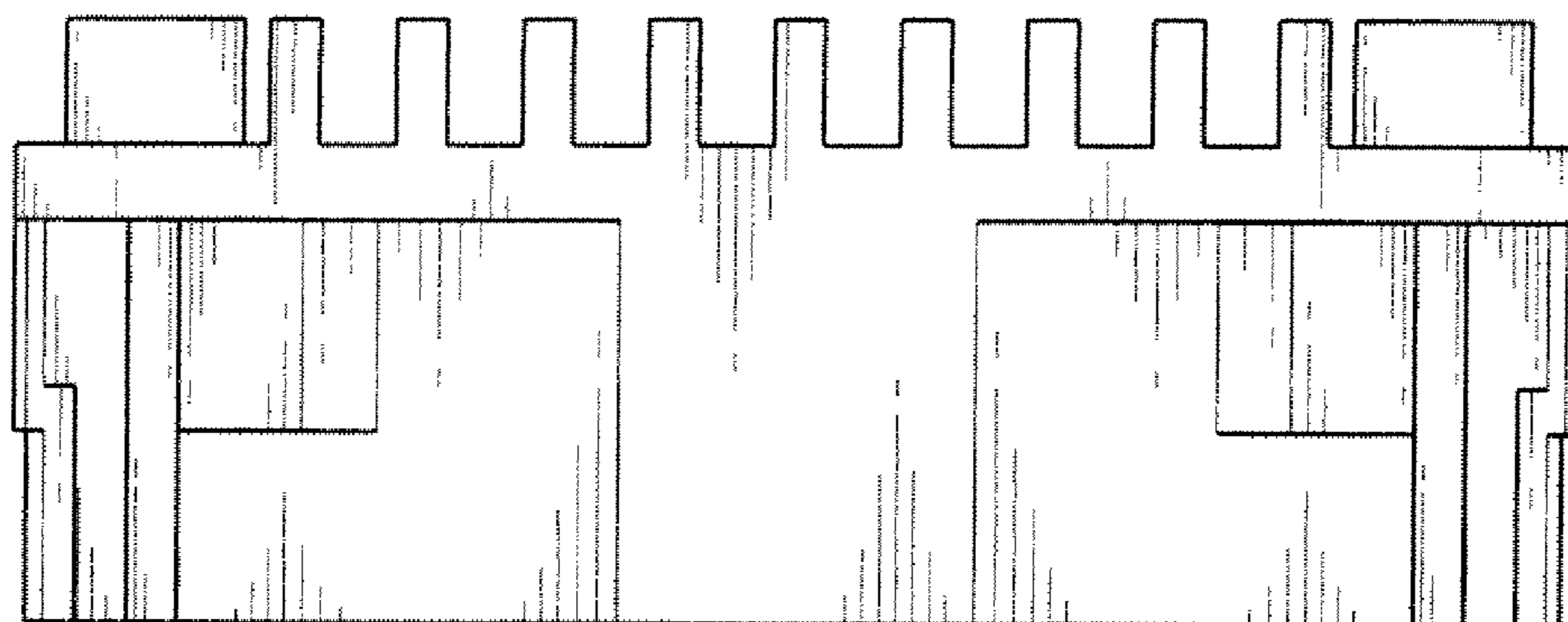


FIG. 4

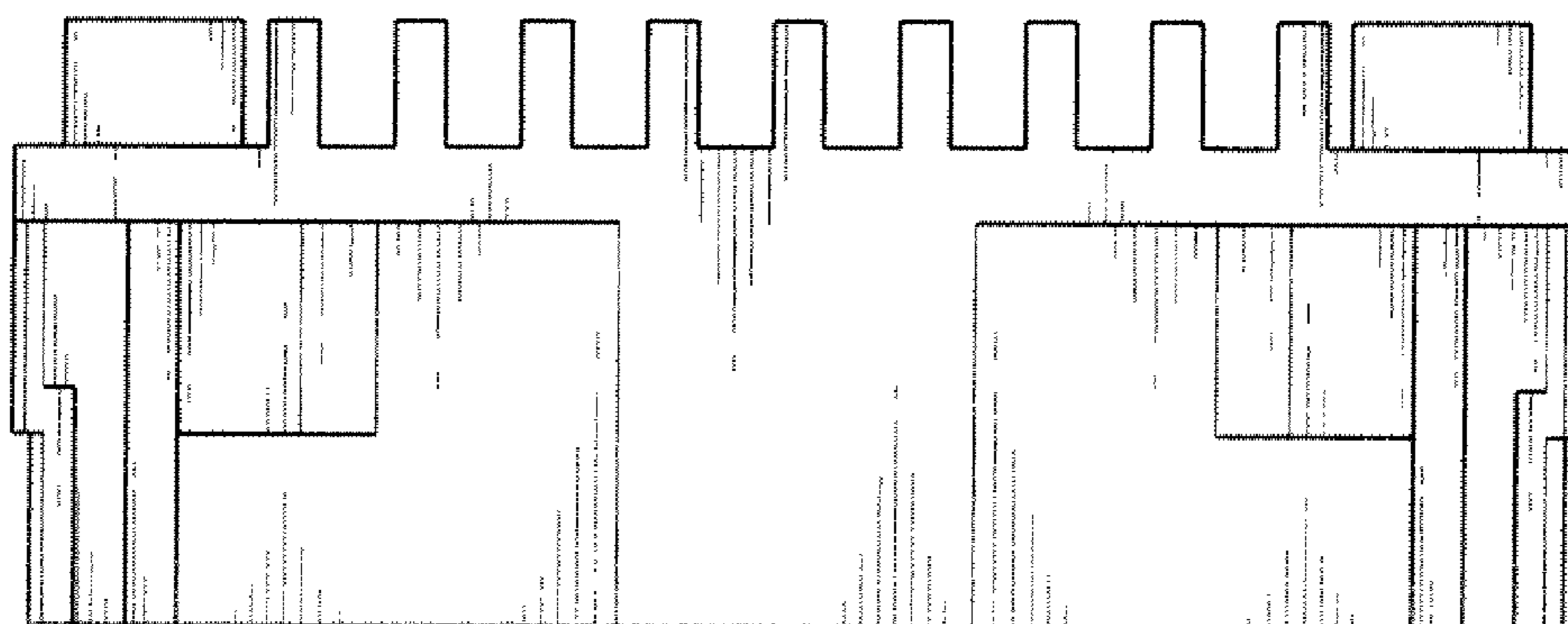


FIG. 5

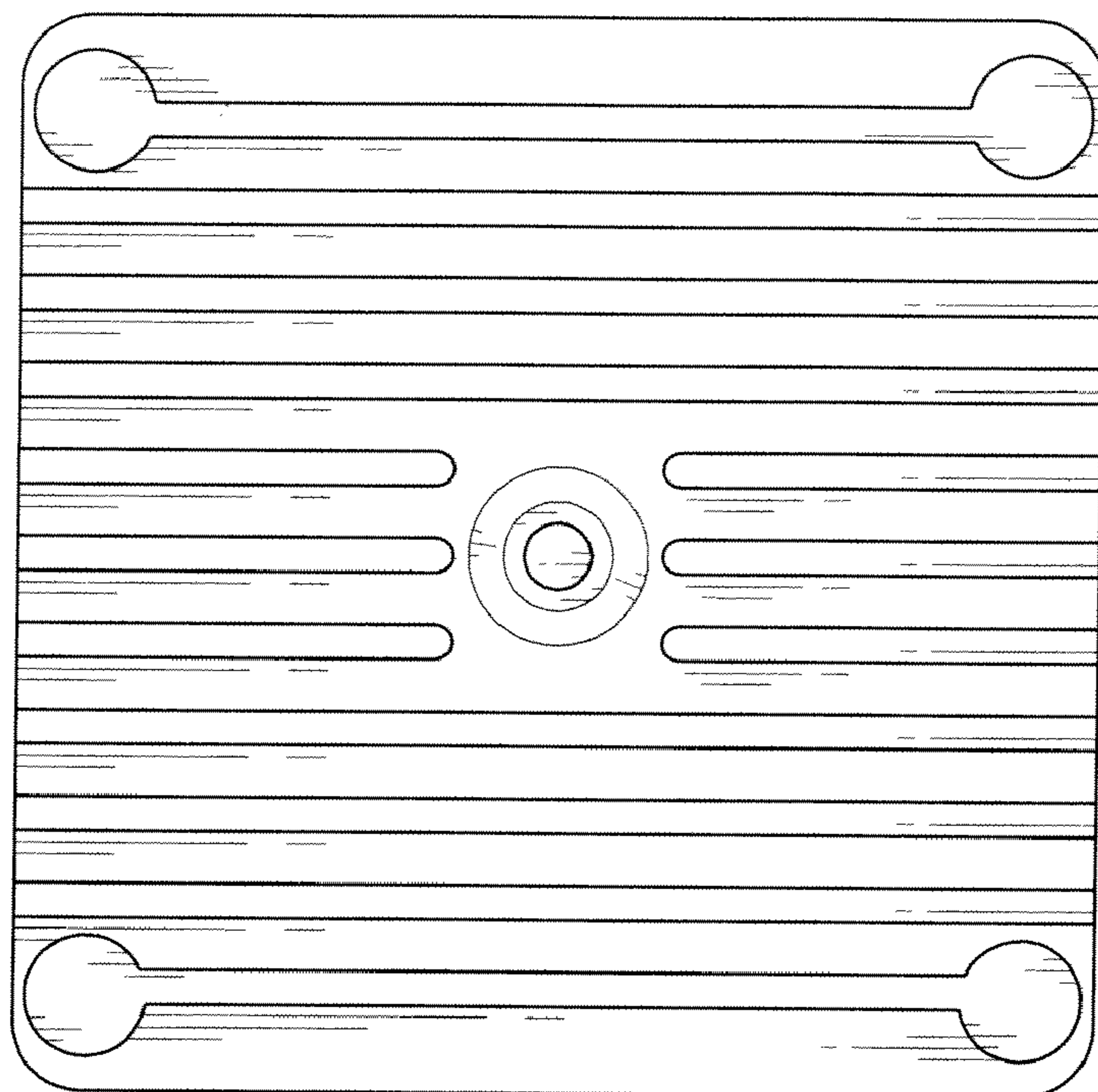


FIG. 6

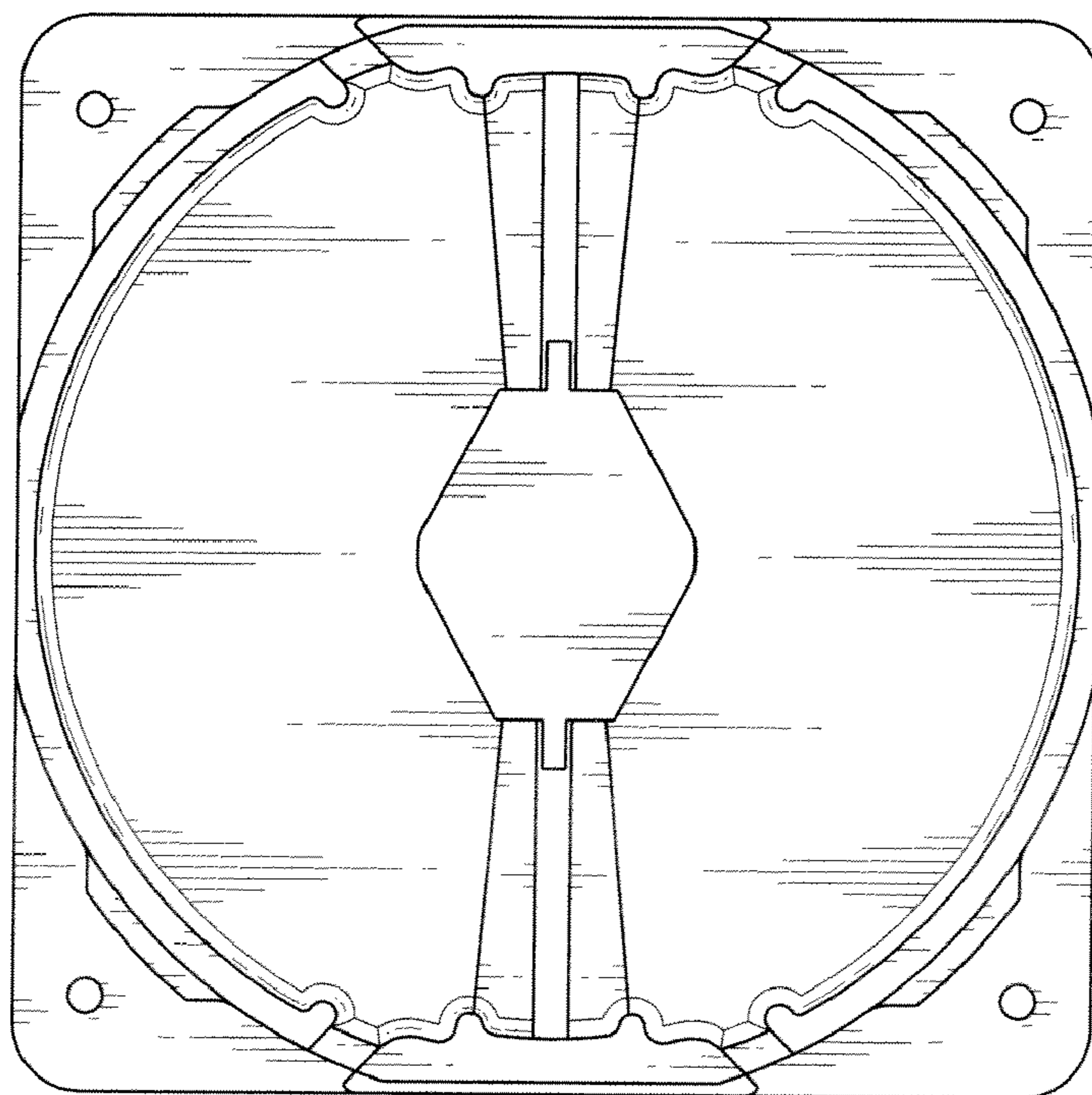


FIG. 7

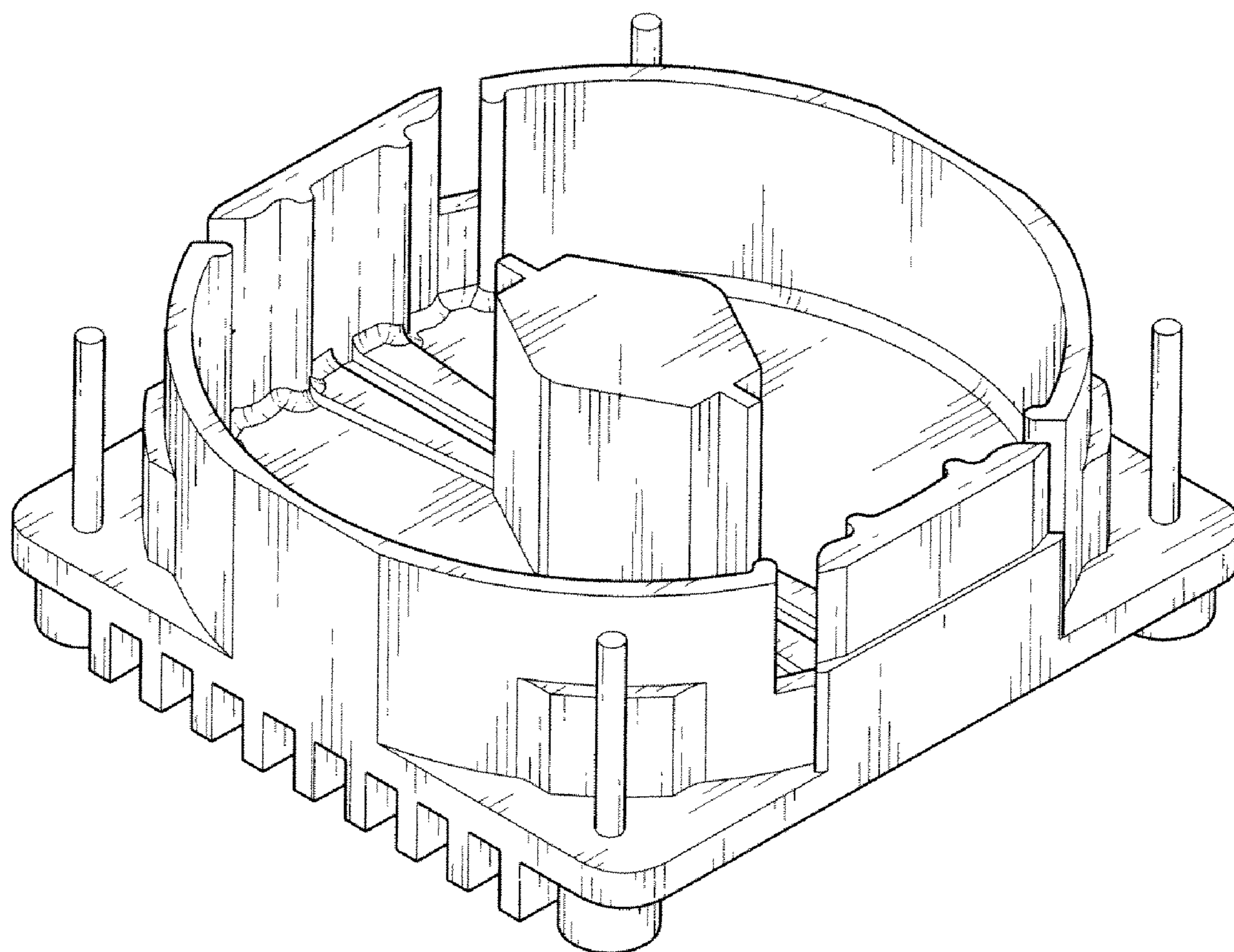


FIG. 8