



US00D638803S

(12) **United States Design Patent**  
**Sakakibara et al.**

(10) **Patent No.:** **US D638,803 S**

(45) **Date of Patent:** **\*\* May 31, 2011**

(54) **OPERATION SWITCH**

(75) Inventors: **Mizuho Sakakibara**, Tokyo (JP);  
**Shoichi Kobayashi**, Hyogo (JP); **Yohei Kume**, Osaka (JP); **Shohei Tsukada**, Osaka (JP); **Hideo Kawakami**, Osaka (JP); **Tohru Nakamura**, Osaka (JP)

(73) Assignee: **Panasonic Corporation**, Osaka (JP)

(\*\*) Term: **14 Years**

(21) Appl. No.: **29/357,849**

(22) Filed: **Mar. 18, 2010**

(30) **Foreign Application Priority Data**

Sep. 18, 2009 (JP) ..... 2009-21681

(51) **LOC (9) Cl.** ..... **13-03**

(52) **U.S. Cl.** ..... **D13/158; D13/169**

(58) **Field of Classification Search** ..... D13/158,  
D13/168, 169, 170, 171, 172, 173, 174, 184,  
D13/199; 200/310, 314, 329, 4, 406, 524,  
200/530, 532, 535, 536, 6, 6 A, 81 R; D14/247

See application file for complete search history.

(56) **References Cited**

U.S. PATENT DOCUMENTS

D454,119 S *	3/2002	Winkler .....	D13/158
D534,874 S *	1/2007	Potts .....	D13/169
D558,690 S *	1/2008	Anderson et al. ....	D13/169
D576,962 S *	9/2008	Kidman .....	D13/169
D605,606 S *	12/2009	Zheng .....	D13/171

\* cited by examiner

*Primary Examiner* — Thomas Johannes

(74) *Attorney, Agent, or Firm* — Brinks Hofer Gilson & Lione

(57) **CLAIM**

We claim the ornamental design for an operation switch, as shown and described.

**DESCRIPTION**

FIG. 1 is a top perspective view of an operation switch of the present invention, showing our new design; FIG. 2 is a front elevation view thereof; FIG. 3 is a rear elevation view thereof; FIG. 4 is a first side elevation view thereof; FIG. 5 is a second side elevation view thereof; FIG. 6 is a top plan view thereof; FIG. 7 is a bottom plan view thereof; and, FIG. 8 is a top perspective view thereof shown in an environmental use.

The broken line showing of operation switch is included for the purpose of showing unclaimed subject matter and forms no part of the claimed design.

**1 Claim, 8 Drawing Sheets**

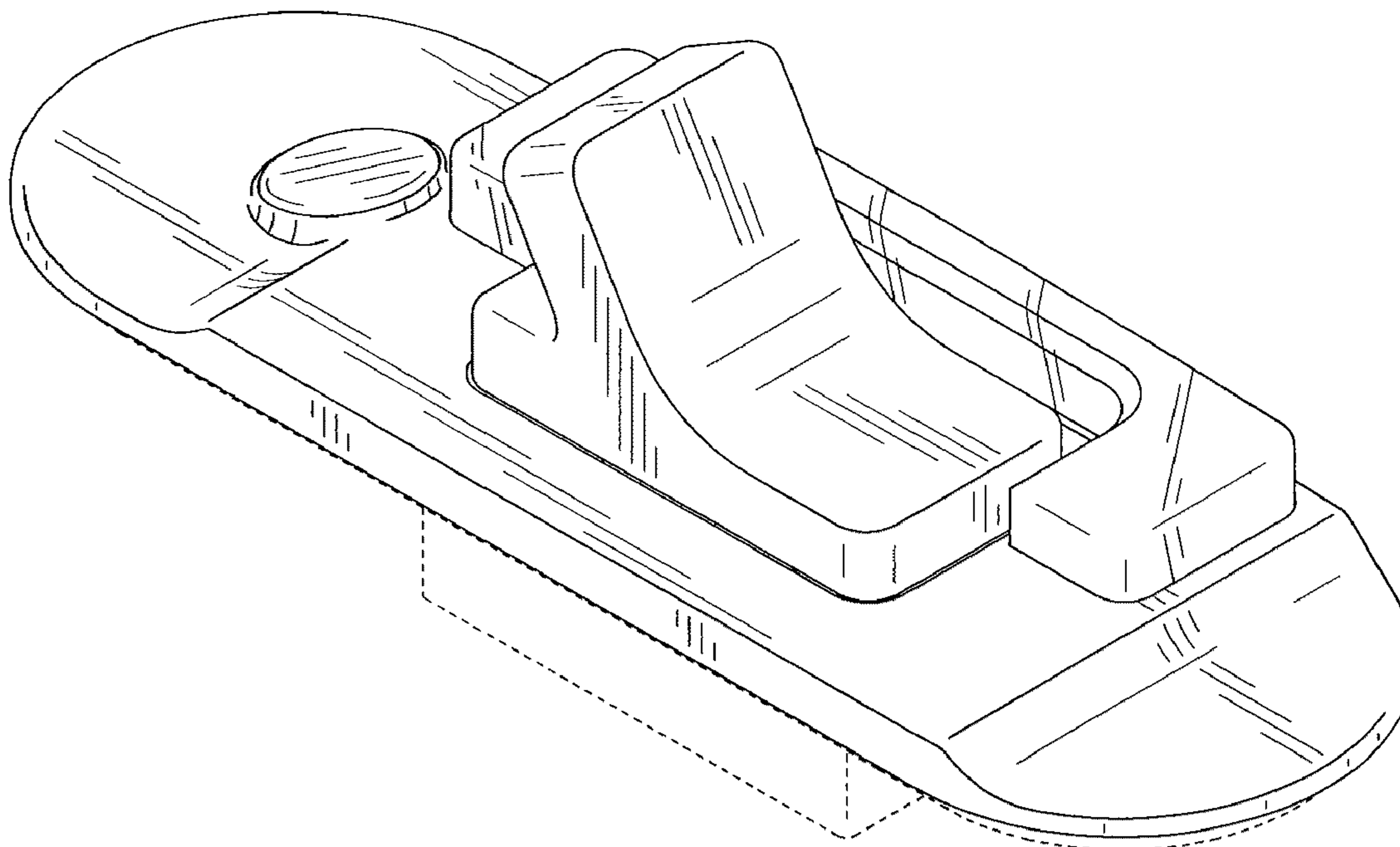


FIG.1

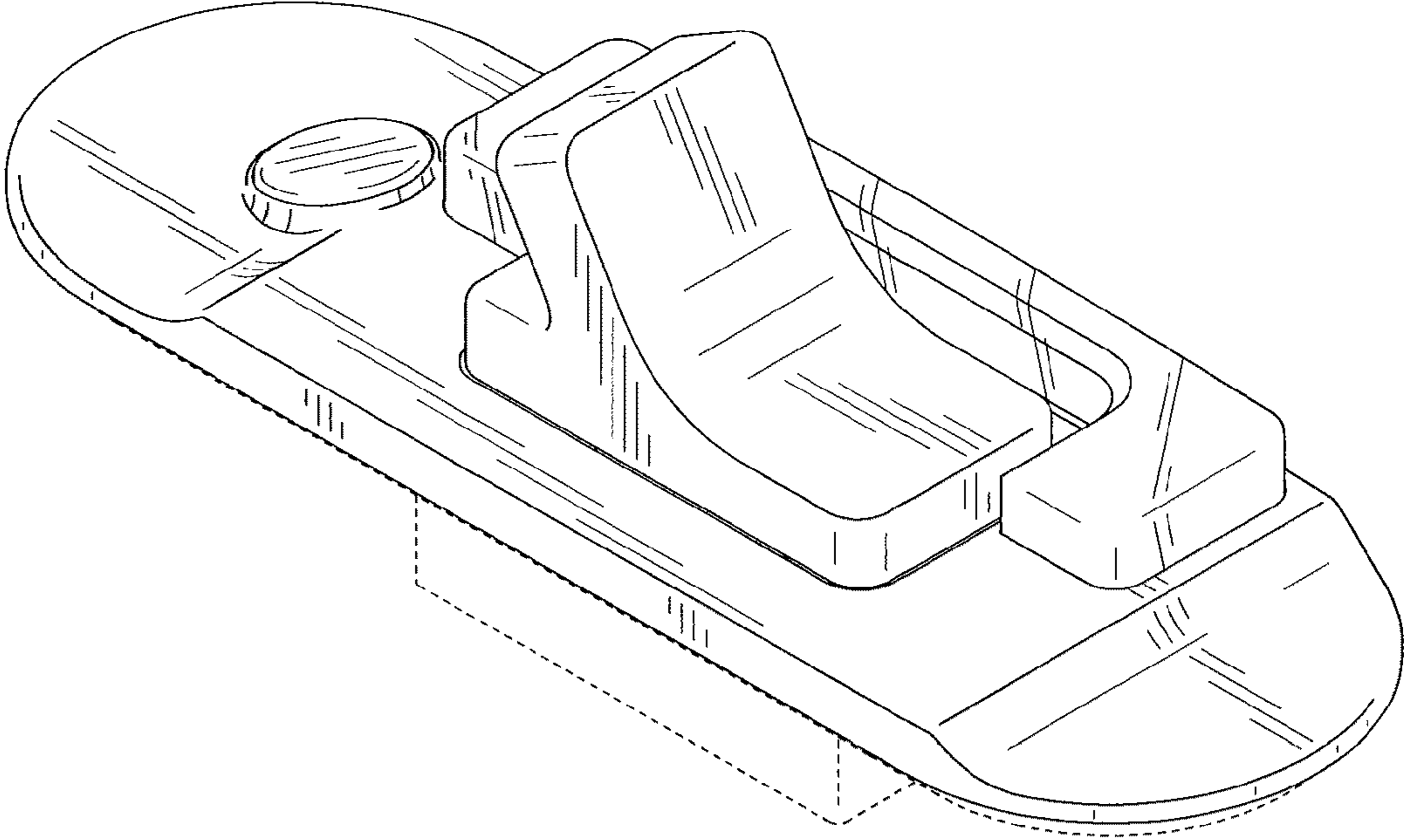


FIG.2

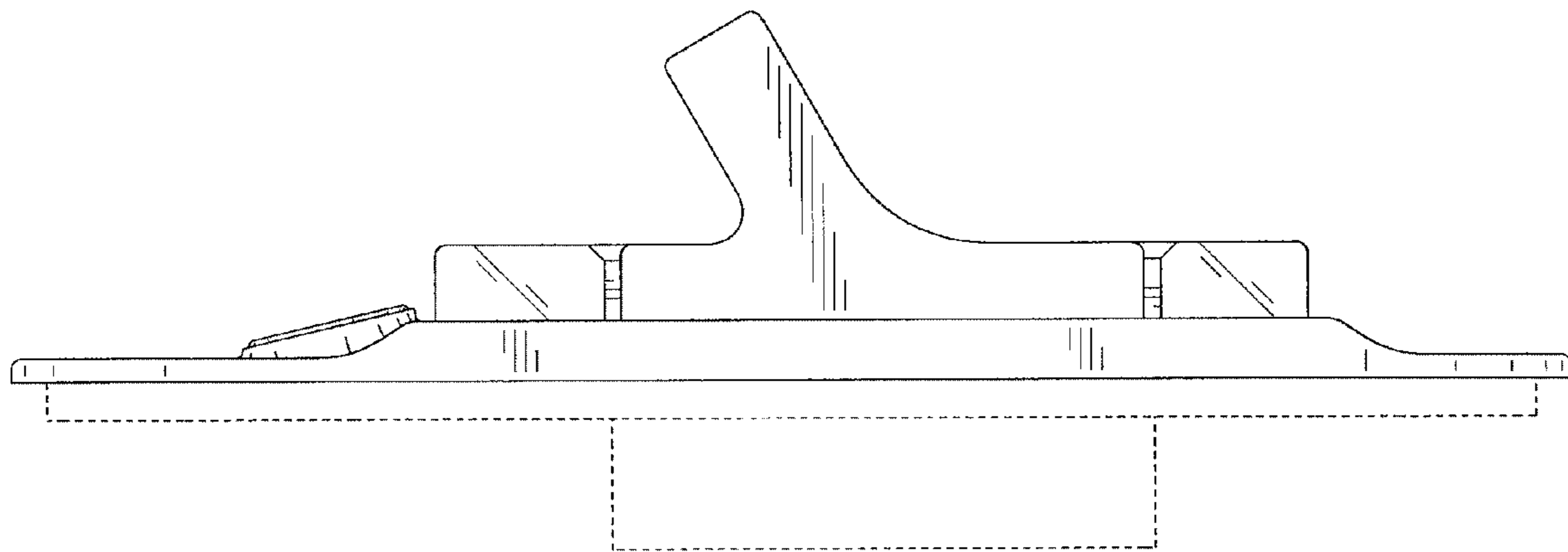
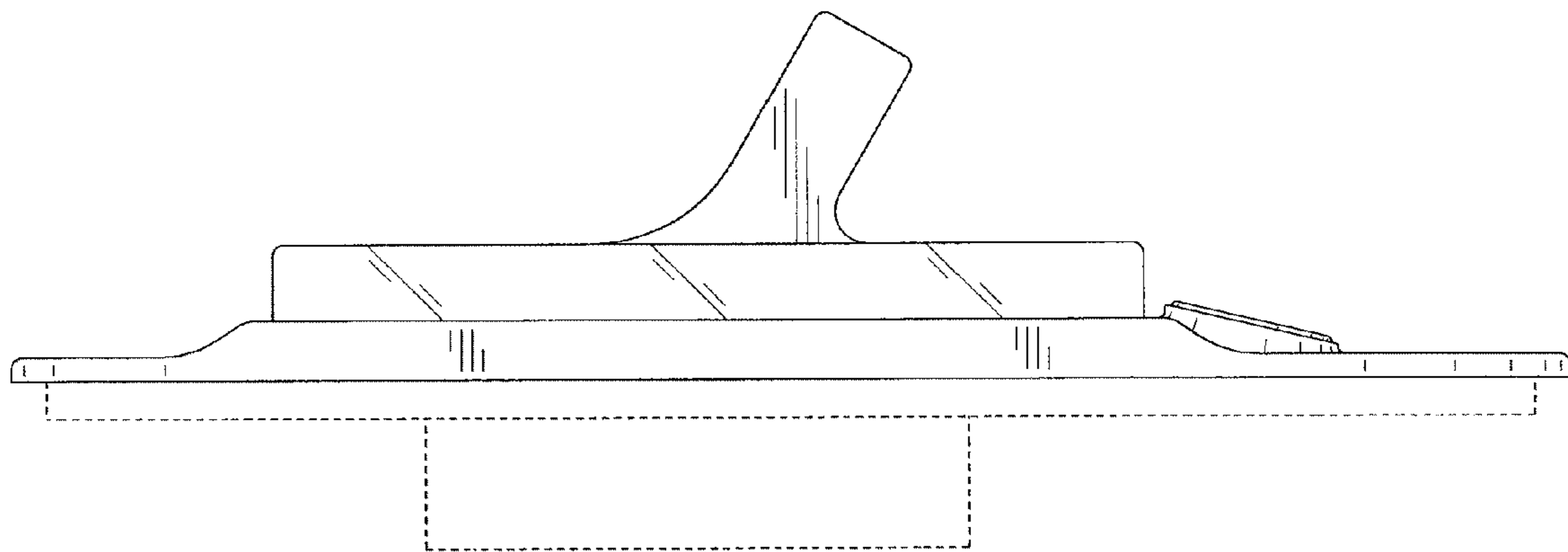
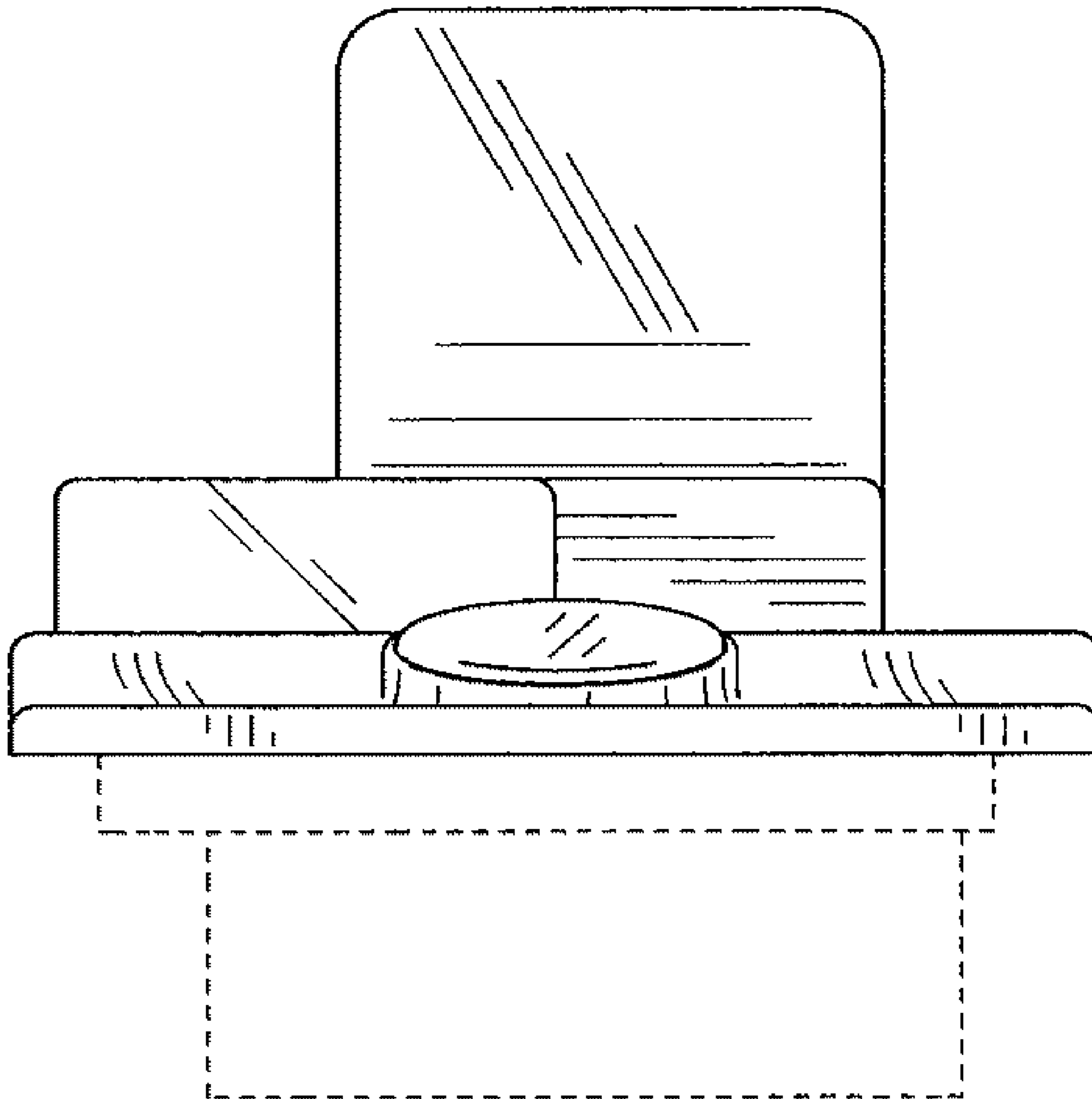


FIG.3



**FIG.4**



**FIG. 5**

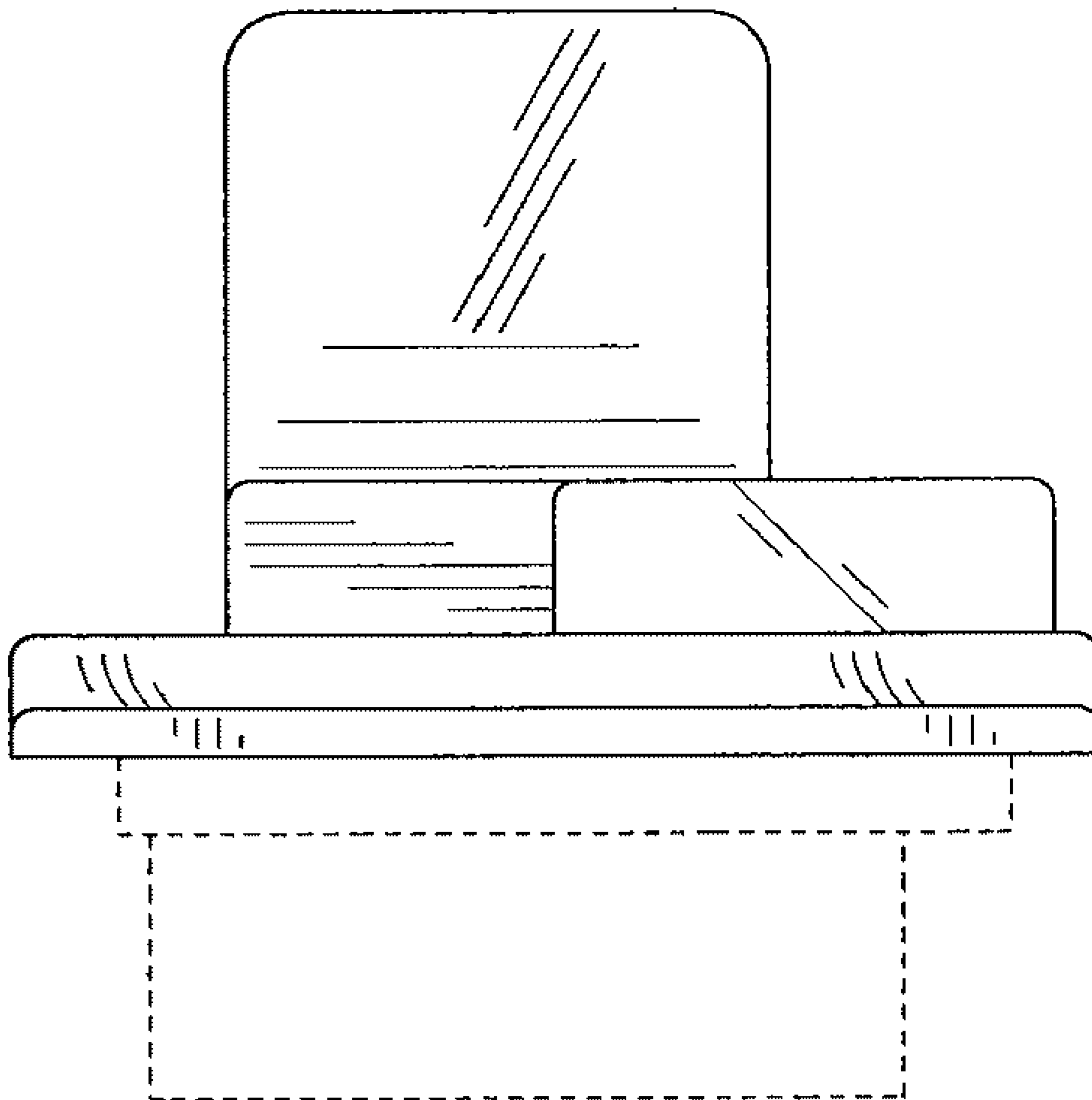


FIG.6

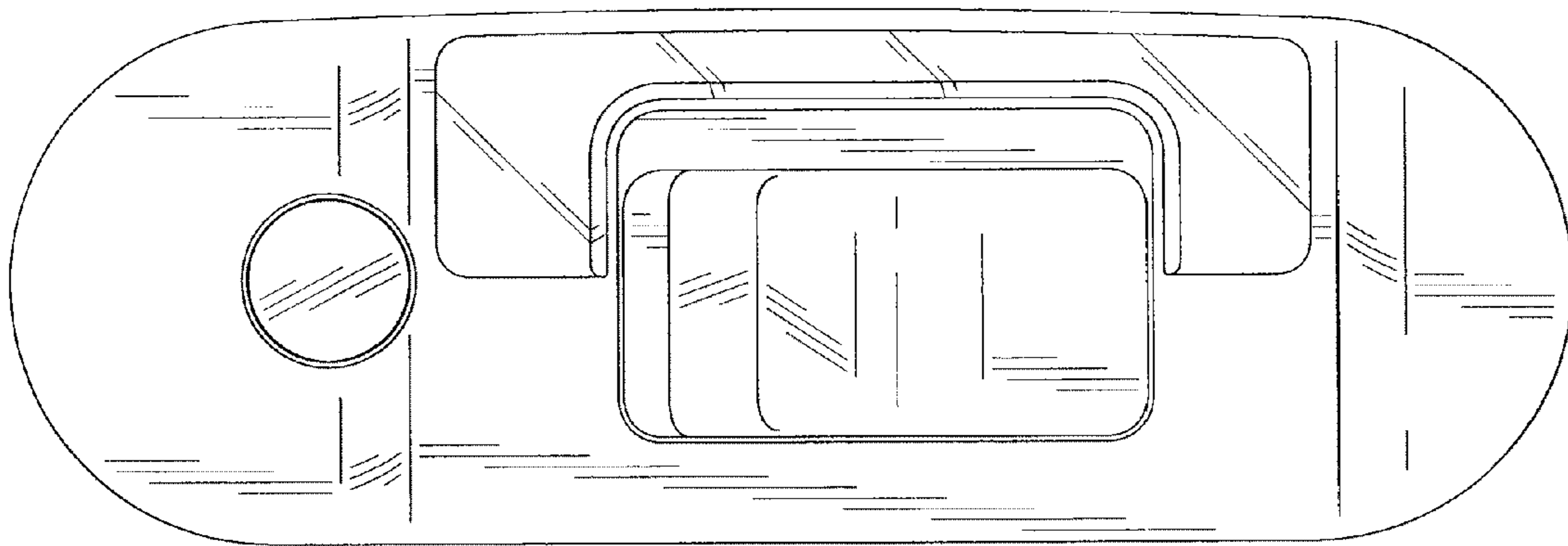
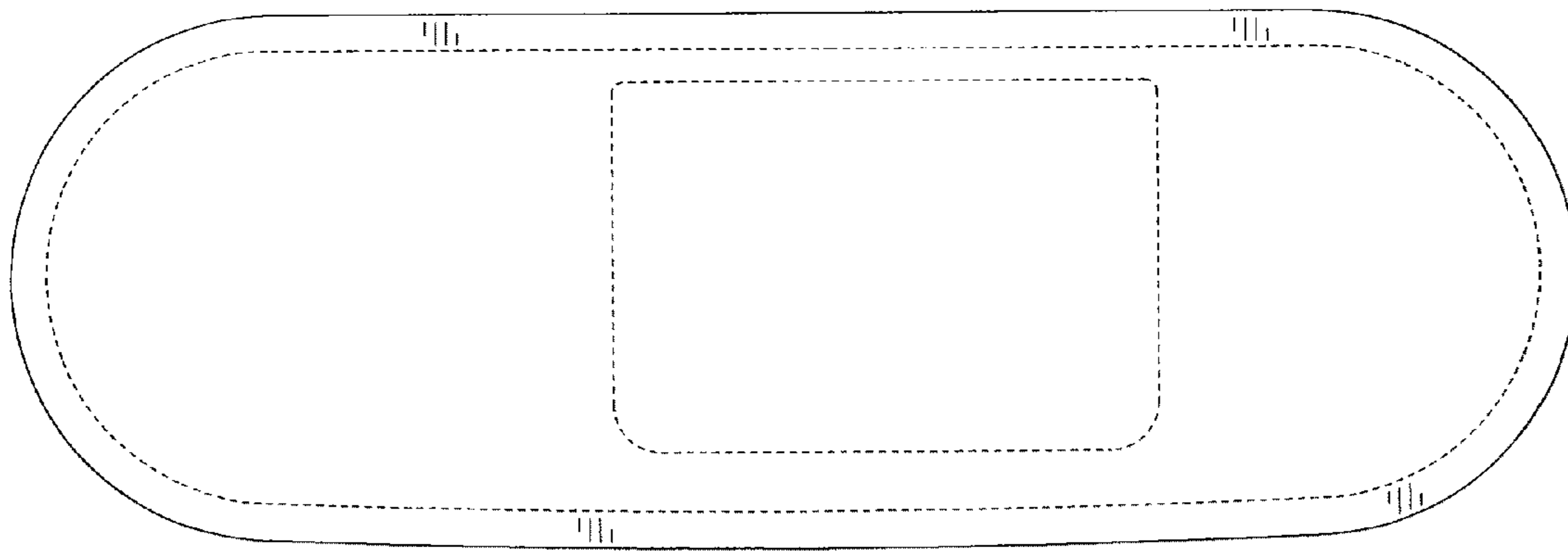


FIG.7





**FIG.8**

