



US00D638800S

(12) **United States Design Patent**
The

(10) **Patent No.:** **US D638,800 S**

(45) **Date of Patent:** **** May 31, 2011**

(54) **MALE CONNECTOR**

(75) Inventor: **Agus Suryana The**, Mesa, AZ (US)

(73) Assignee: **iGo, Inc.**, Scottsdale, AZ (US)

(**) Term: **14 Years**

(21) Appl. No.: **29/361,046**

(22) Filed: **May 4, 2010**

Related U.S. Application Data

(62) Division of application No. 29/339,683, filed on Jul. 6, 2009, now Pat. No. Des. 616,821.

(51) **LOC (9) Cl.** **13-03**

(52) **U.S. Cl.** **D13/154**

(58) **Field of Classification Search** D13/133,
D13/146, 147, 151, 154, 184, 199; 439/246,
439/252, 178, 306, 476.1, 578, 580, 583,
439/584, 585, 607, 668, 669, 805, 894; 174/75 C
See application file for complete search history.

(56) **References Cited**

U.S. PATENT DOCUMENTS

D287,239 S * 12/1986 Komatsu D13/133
4,778,240 A * 10/1988 Komatsu 385/88
D312,613 S * 12/1990 Shichida D13/133
D312,614 S * 12/1990 Amachi et al. D13/133

D318,718 S * 7/1991 Blatt D23/262
D381,628 S * 7/1997 Ashida D13/147
D413,301 S * 8/1999 Goto et al. D13/133
D422,558 S * 4/2000 Reiss D13/133
D434,377 S * 11/2000 Bussett et al. D13/133
D616,821 S * 6/2010 The D13/133
D617,272 S * 6/2010 The D13/133

* cited by examiner

Primary Examiner — Thomas J Johannes

(74) *Attorney, Agent, or Firm* — Snell & Wilmer L.L.P.

(57) **CLAIM**

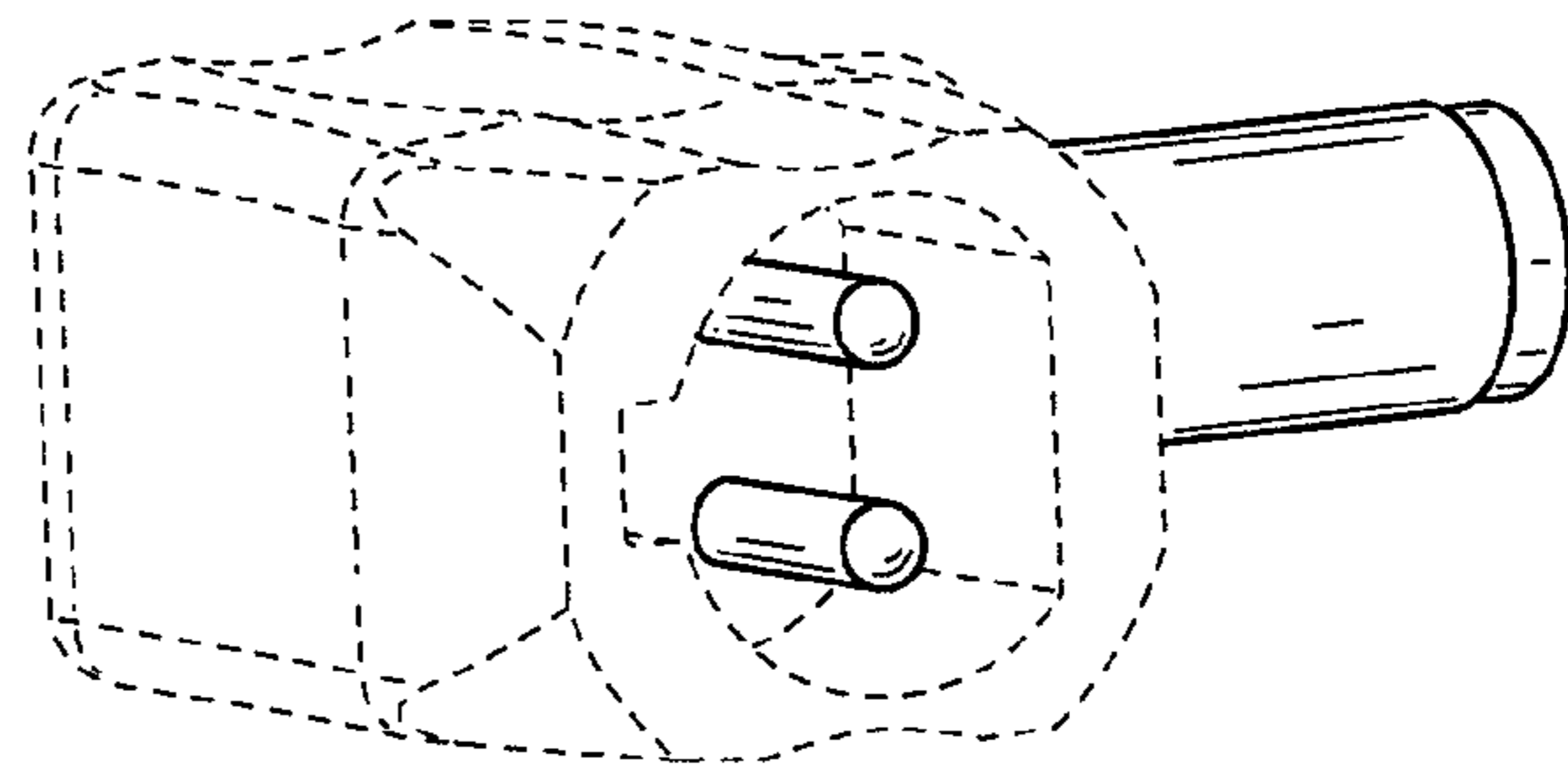
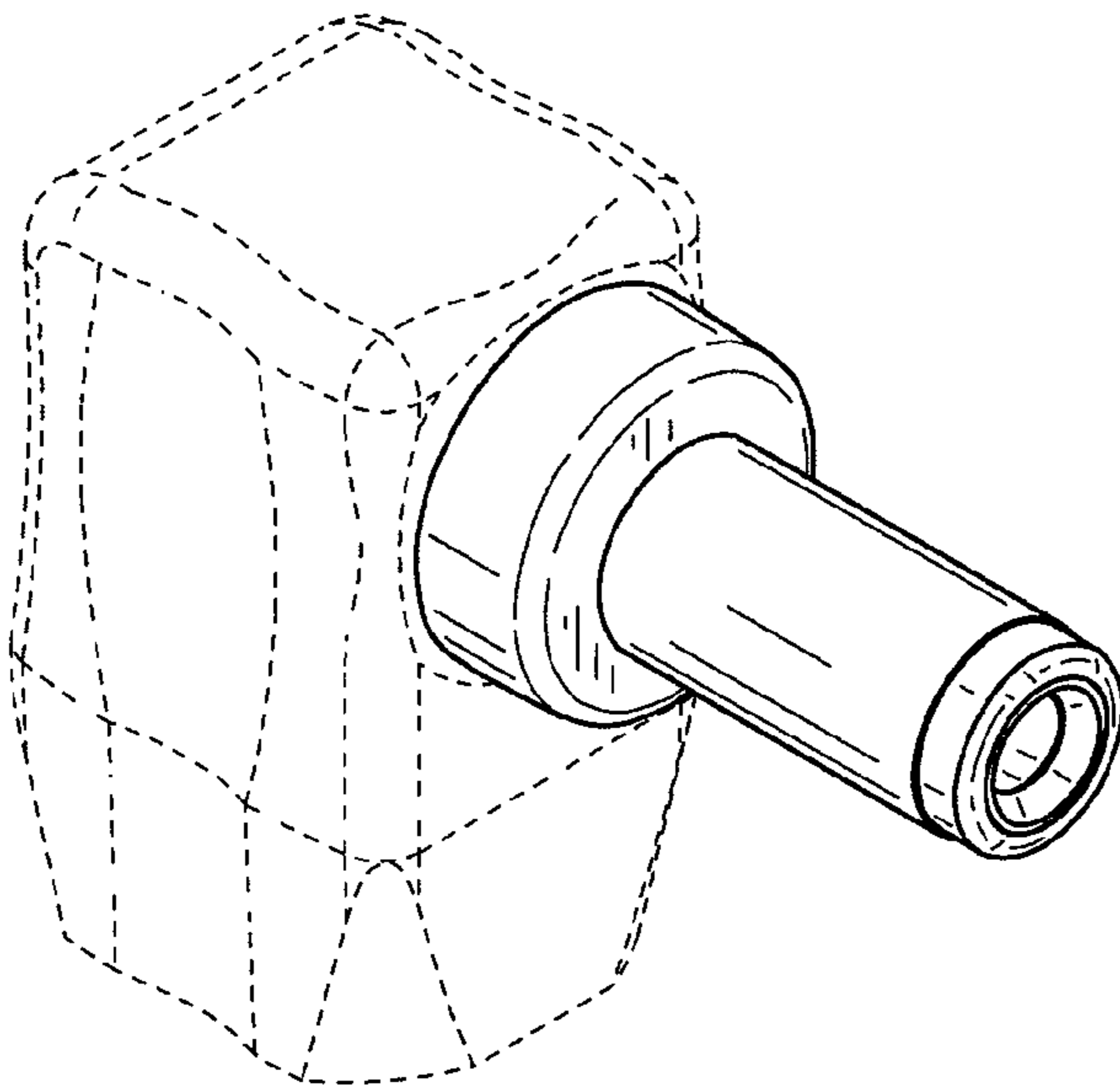
The ornamental design for a male connector, as shown and described.

DESCRIPTION

FIG. 1 is a perspective view of a male connector showing my new design;
FIG. 2 is a first side elevation view thereof;
FIG. 3 is a second side elevation view thereof;
FIG. 4 is a front elevation view thereof;
FIG. 5 is a back elevation view thereof;
FIG. 6 is a top plan view thereof;
FIG. 7 is a bottom plan view thereof; and,
FIG. 8 is a bottom perspective view thereof.

The broken line portion of the figure drawings is included to show unclaimed subject matter only and forms no part of the claimed design.

1 Claim, 5 Drawing Sheets



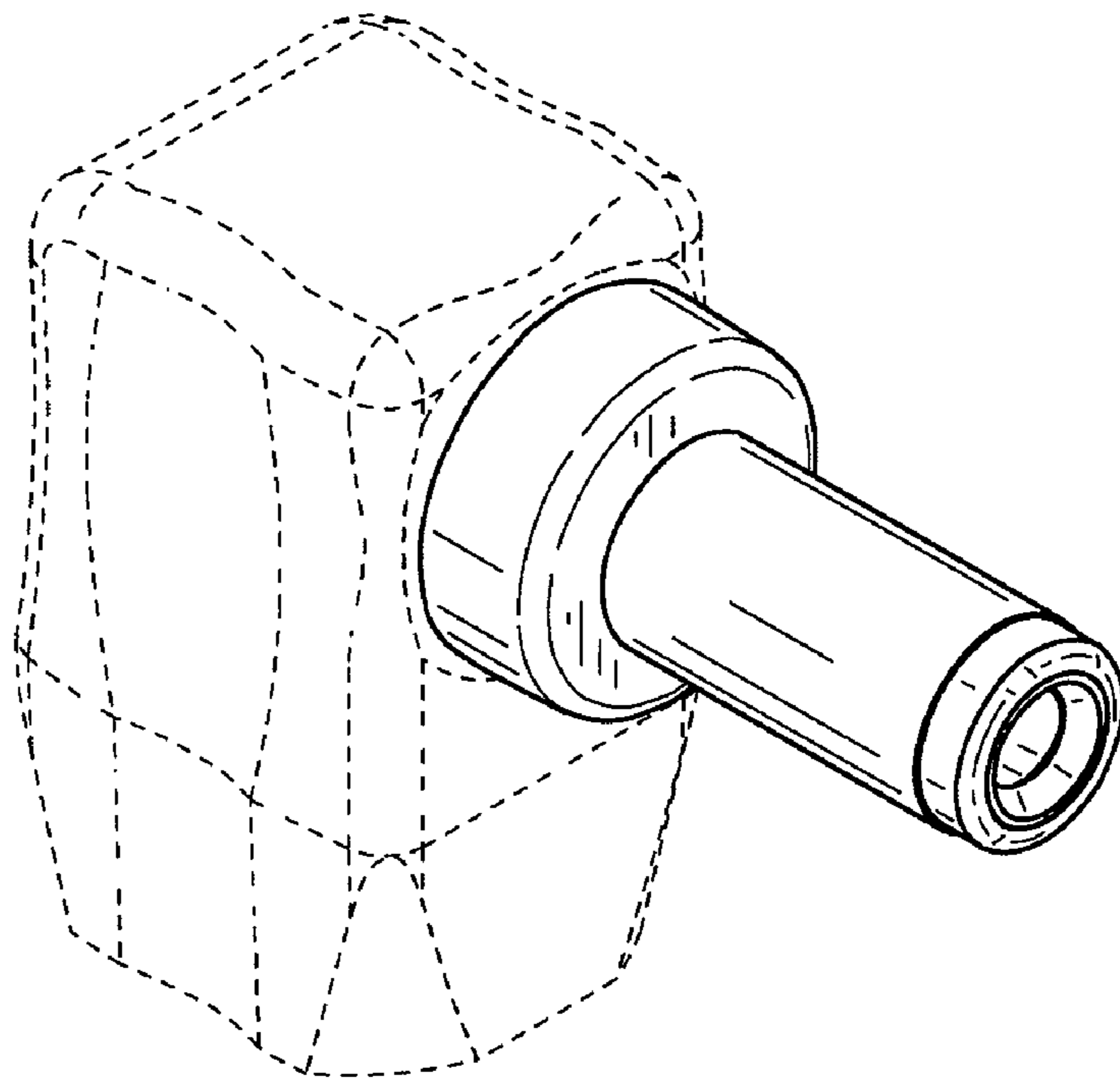


FIG. 1

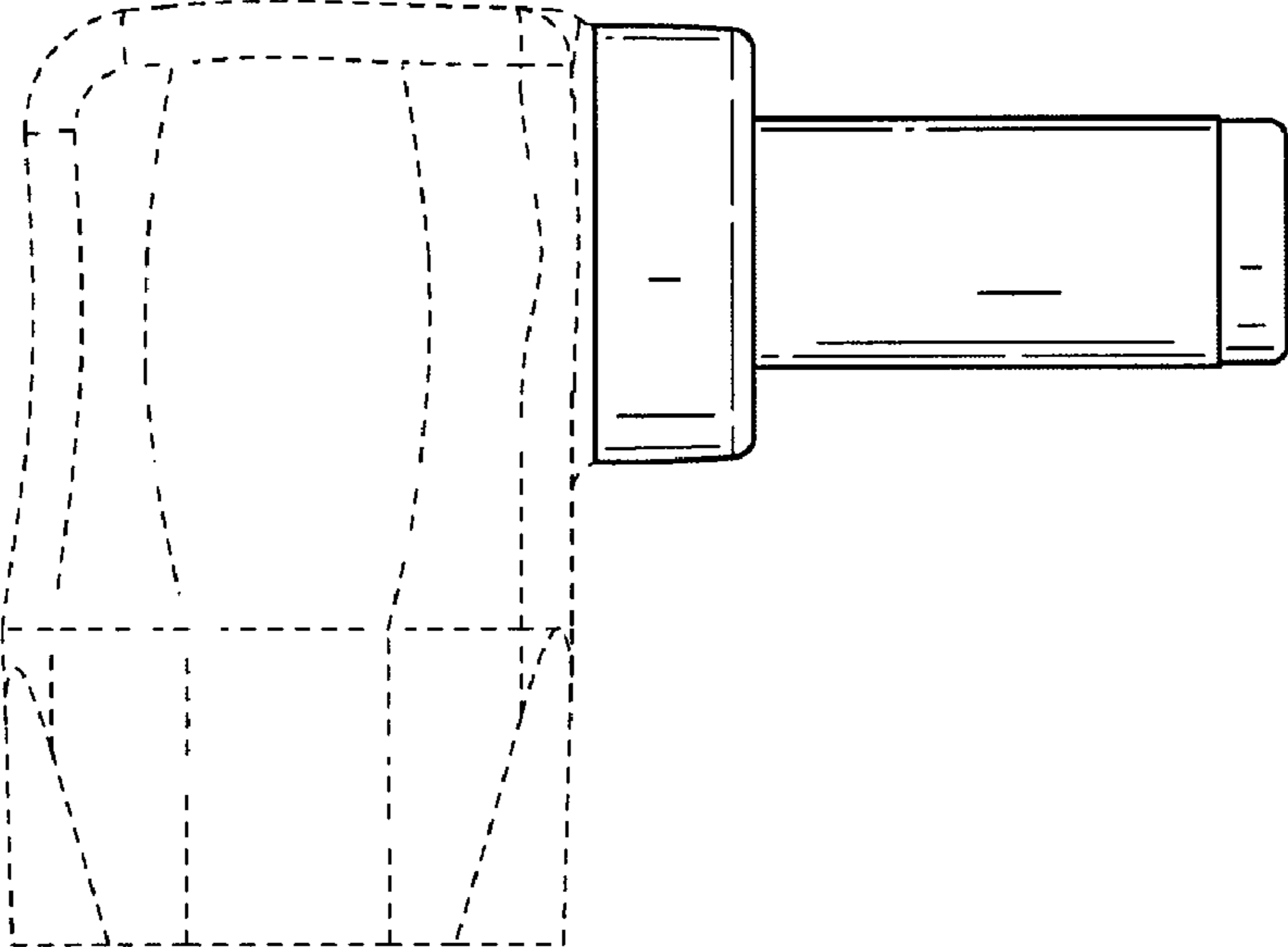


FIG. 2

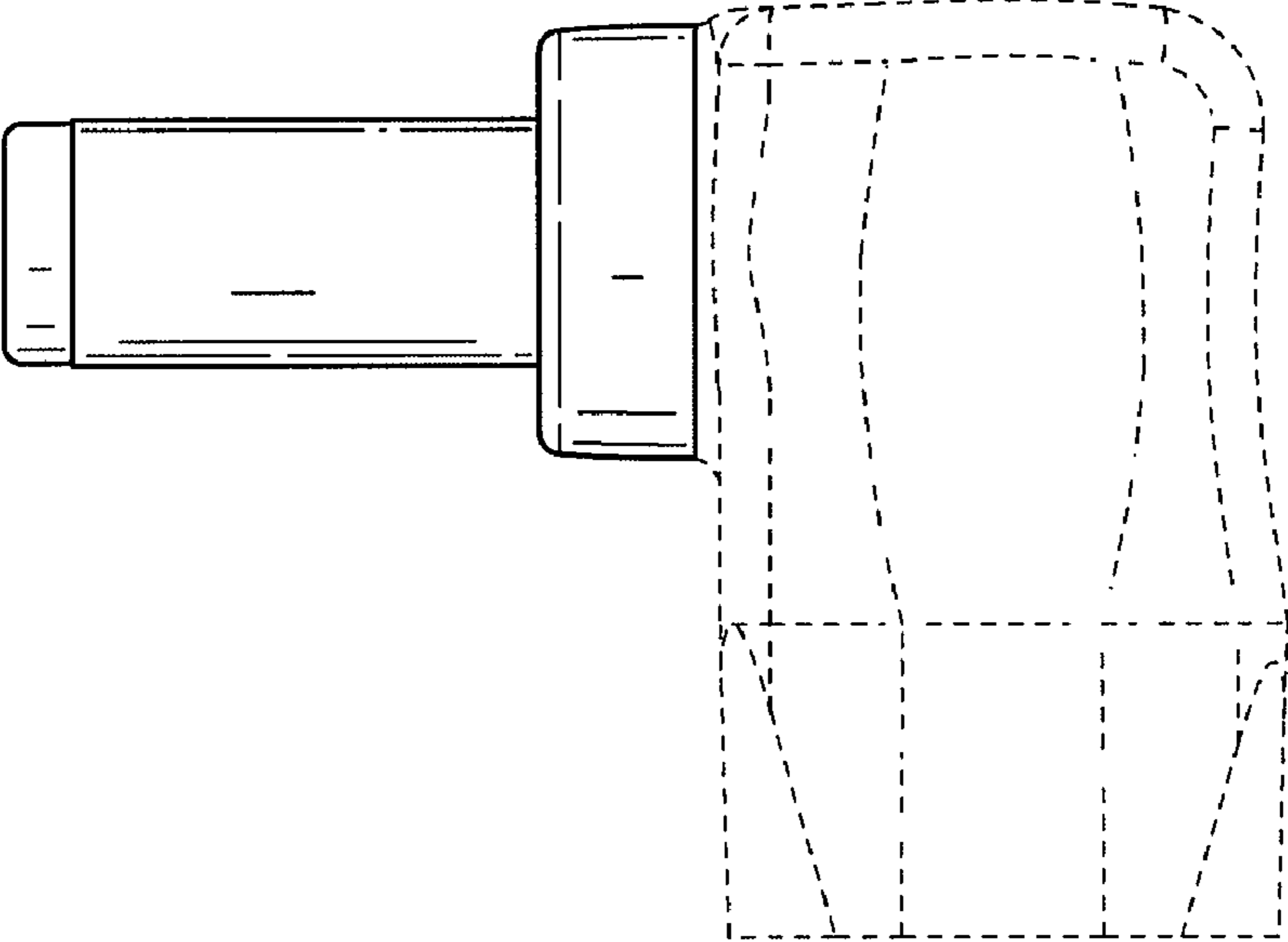


FIG. 3

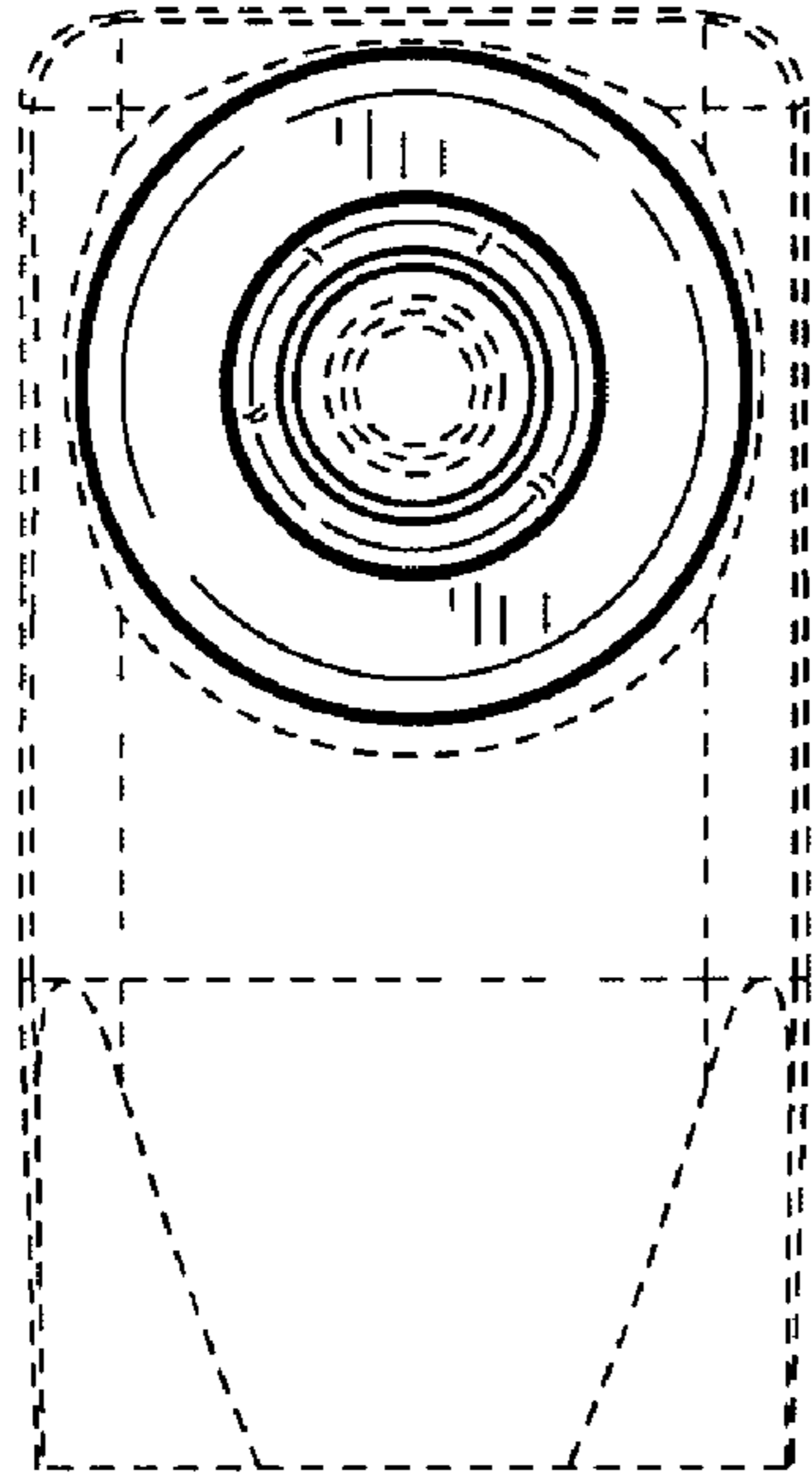


FIG.4

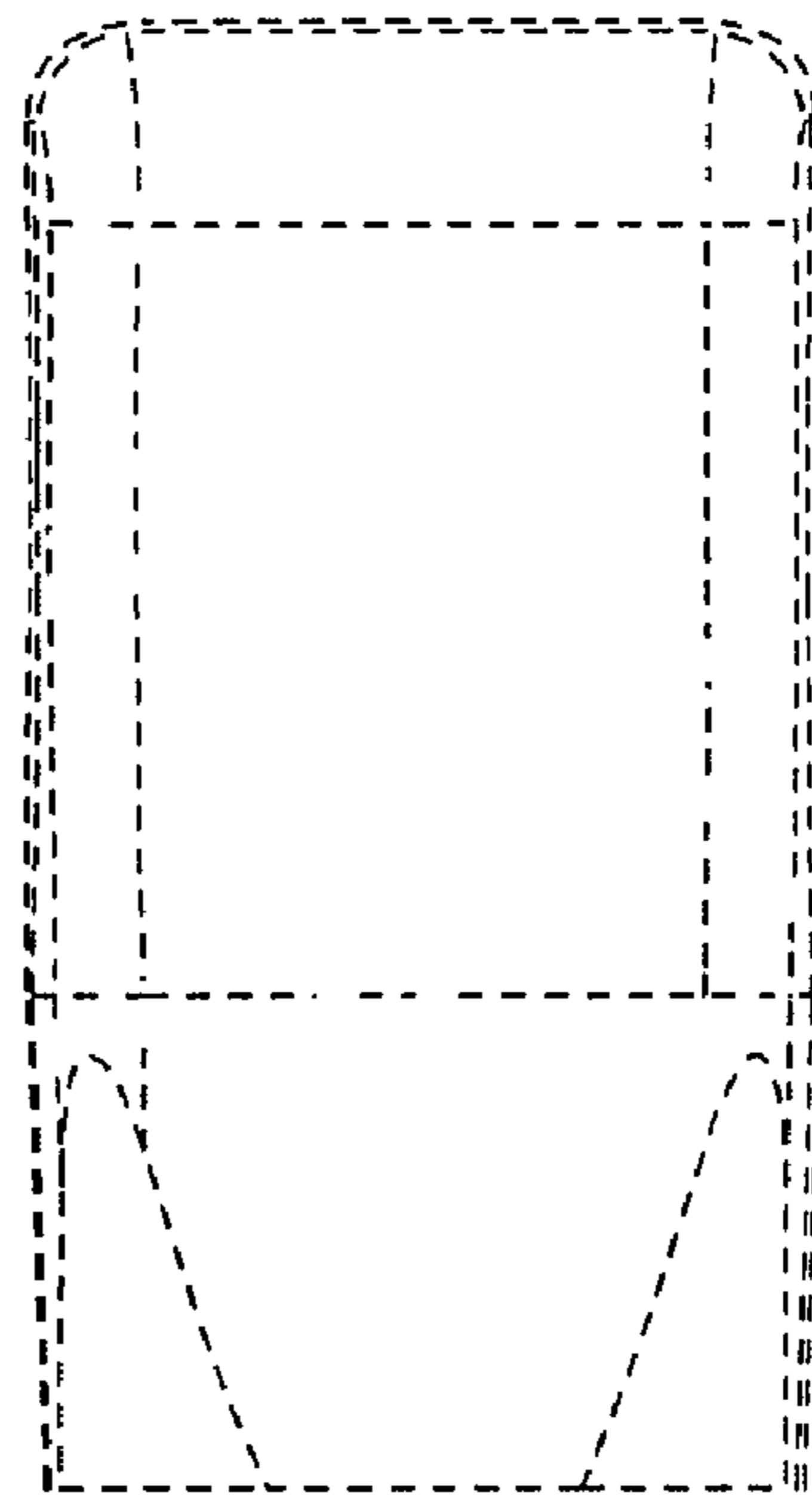


FIG.5

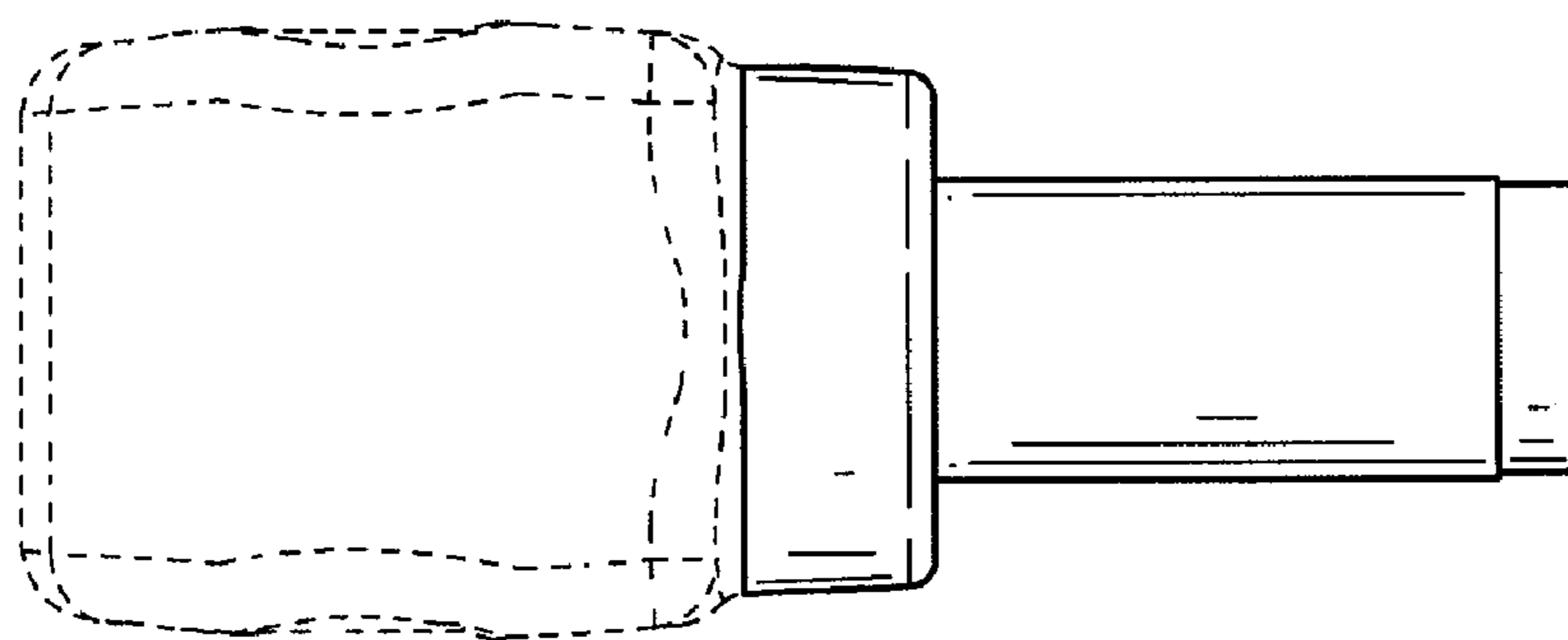


FIG. 6

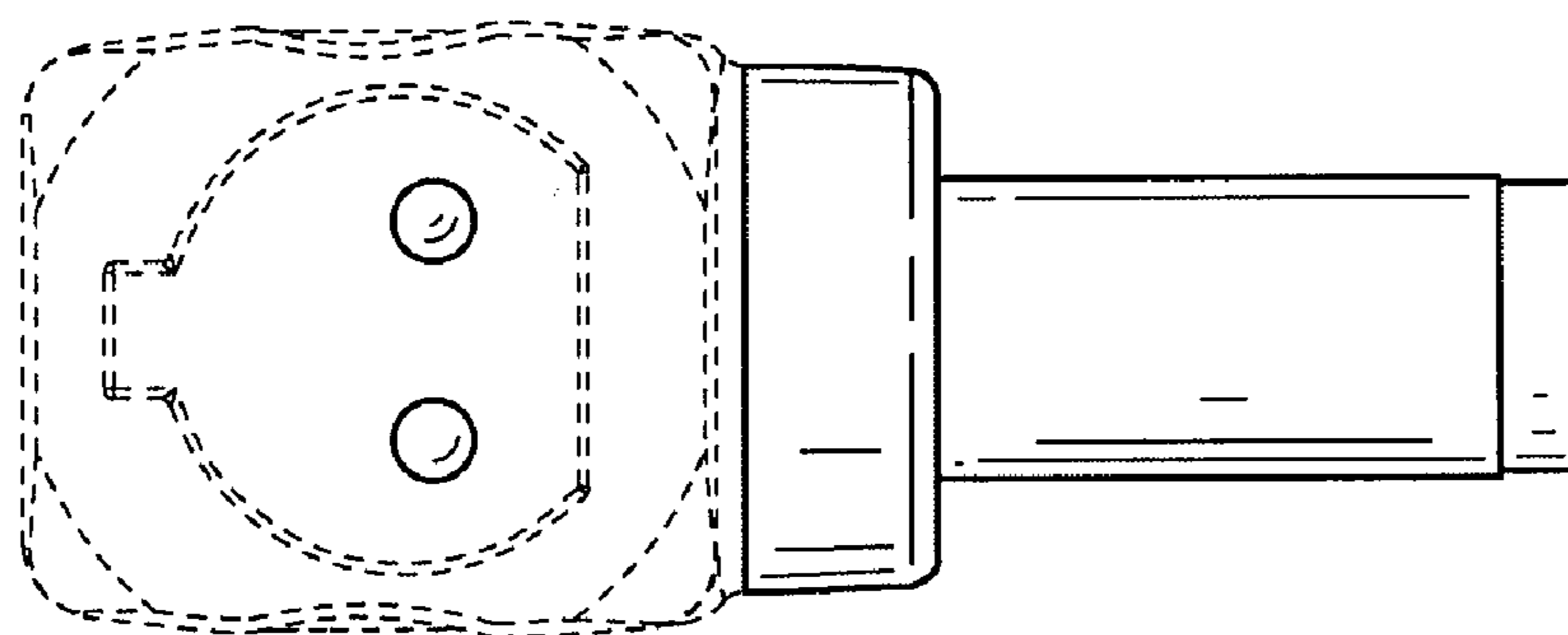


FIG. 7

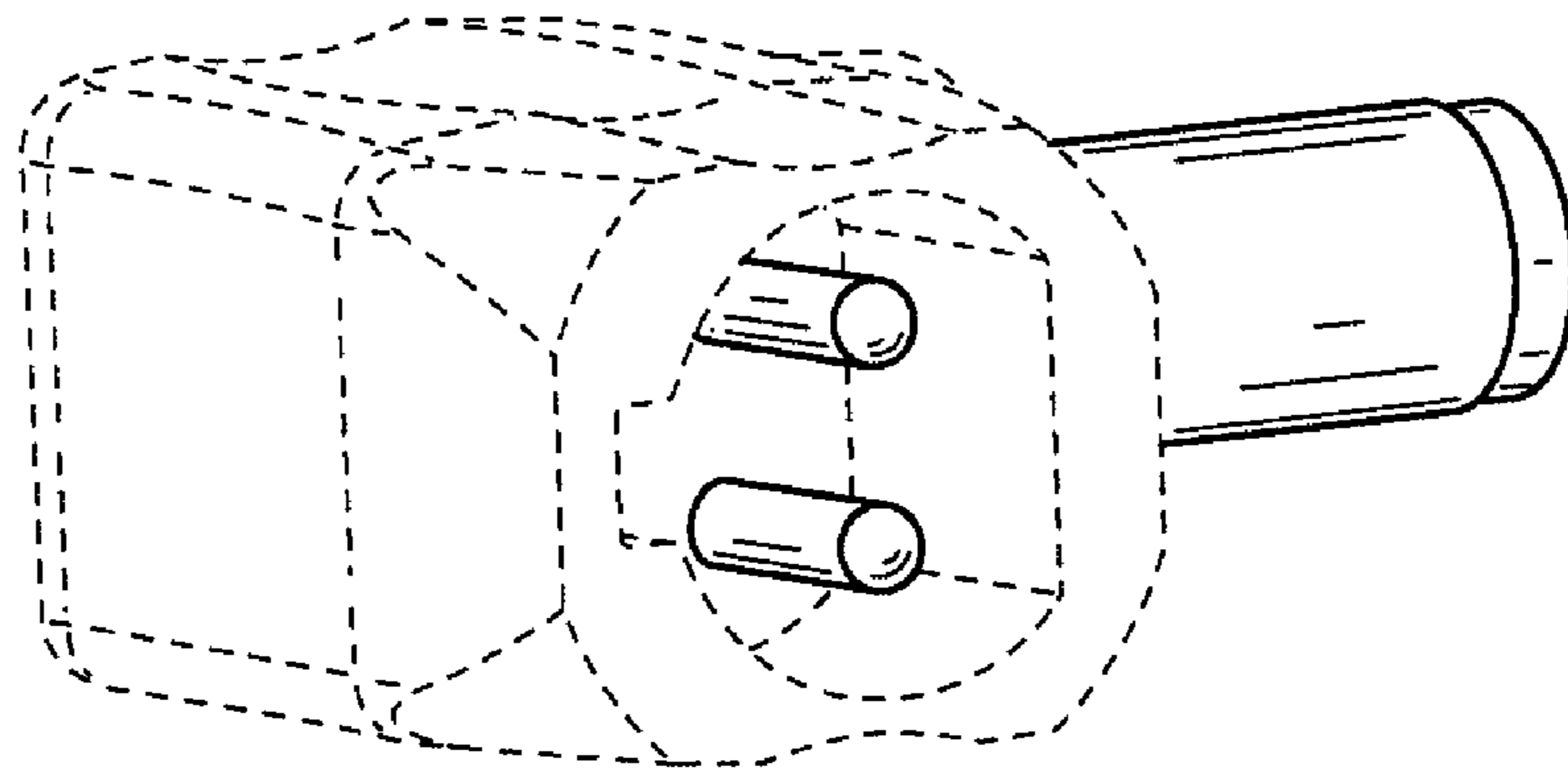


FIG.8