

US00D638799S

(12) **United States Design Patent**  
**The**

(10) **Patent No.:** **US D638,799 S**

(45) **Date of Patent:** **\*\* May 31, 2011**

(54) **FEMALE CONNECTOR**

(75) Inventor: **Agus Suryana The**, Mesa, AZ (US)

(73) Assignee: **iGo, Inc.**, Scottsdale, AZ (US)

(\*\*) Term: **14 Years**

(21) Appl. No.: **29/361,043**

(22) Filed: **May 4, 2010**

**Related U.S. Application Data**

(62) Division of application No. 29/339,687, filed on Jul. 6, 2009, now Pat. No. Des. 617,272.

(51) **LOC (9) Cl.** ..... **13-03**

(52) **U.S. Cl.** ..... **D13/154**

(58) **Field of Classification Search** ..... D13/133,  
D13/146, 147, 151, 154, 184, 199; 439/246,  
439/252, 306, 476.1, 578, 580, 583, 584,  
439/585, 805; 174/75 C

See application file for complete search history.

(56) **References Cited**

**U.S. PATENT DOCUMENTS**

D381,628 S \* 7/1997 Ashida ..... D13/147  
D412,312 S \* 7/1999 Myers ..... D13/146  
D435,830 S \* 1/2001 Cheng ..... D13/133  
D562,769 S \* 2/2008 Ashida et al. .... D13/133

D574,775 S \* 8/2008 Amidon ..... D13/133  
D586,750 S \* 2/2009 Li ..... D13/133  
D588,549 S \* 3/2009 Lee et al. .... D13/154  
D596,125 S \* 7/2009 Norin et al. .... D13/133  
D597,946 S \* 8/2009 Li ..... D13/133  
D616,821 S \* 6/2010 The ..... D13/133  
D617,272 S \* 6/2010 The ..... D13/133

\* cited by examiner

*Primary Examiner* — Thomas J Johannes

(74) *Attorney, Agent, or Firm* — Snell & Wilmer L.L.P.

(57) **CLAIM**

The ornamental design for the female connector, as shown and described.

**DESCRIPTION**

FIG. 1 is a perspective view of a female connector showing my new design;

FIG. 2 is a front elevation view thereof;

FIG. 3 is a back elevation view thereof;

FIG. 4 is a bottom plan view thereof;

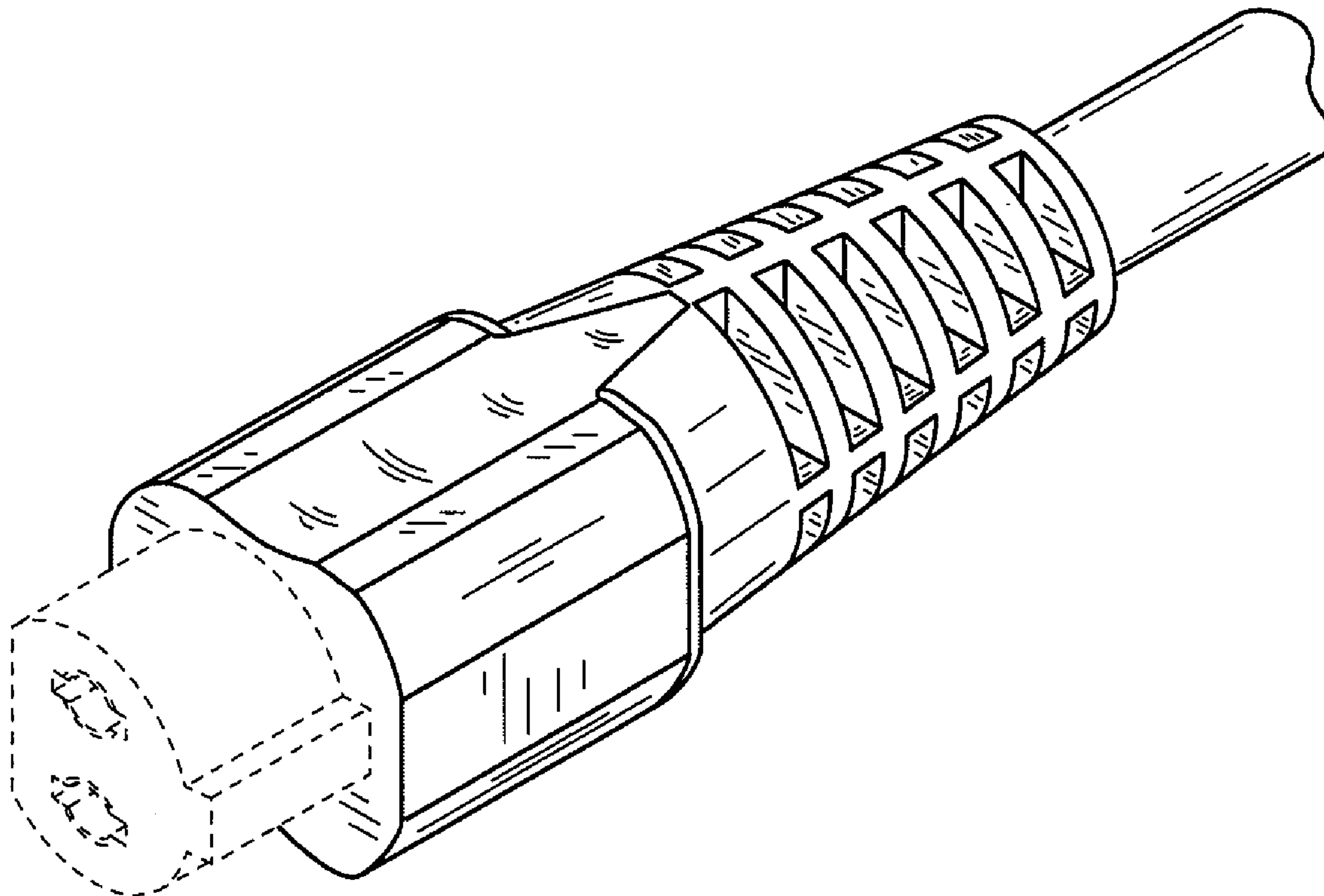
FIG. 5 is a top plan view thereof;

FIG. 6 is a first side elevation view thereof; and,

FIG. 7 is a second side elevation view thereof.

The broken line portion of the figure drawings is included to show unclaimed subject matter only and forms no part of the claimed design.

**1 Claim, 4 Drawing Sheets**



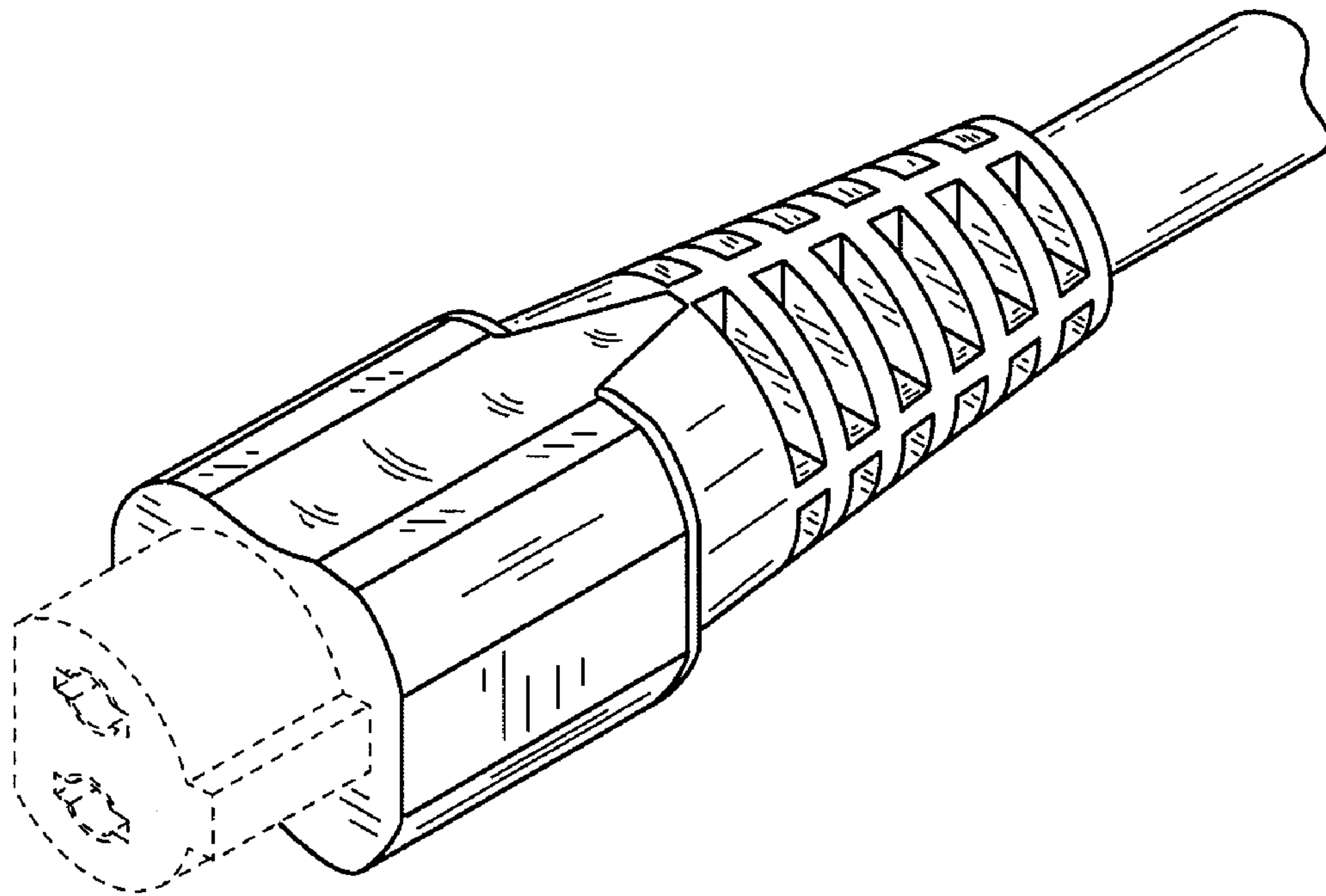


FIG.1

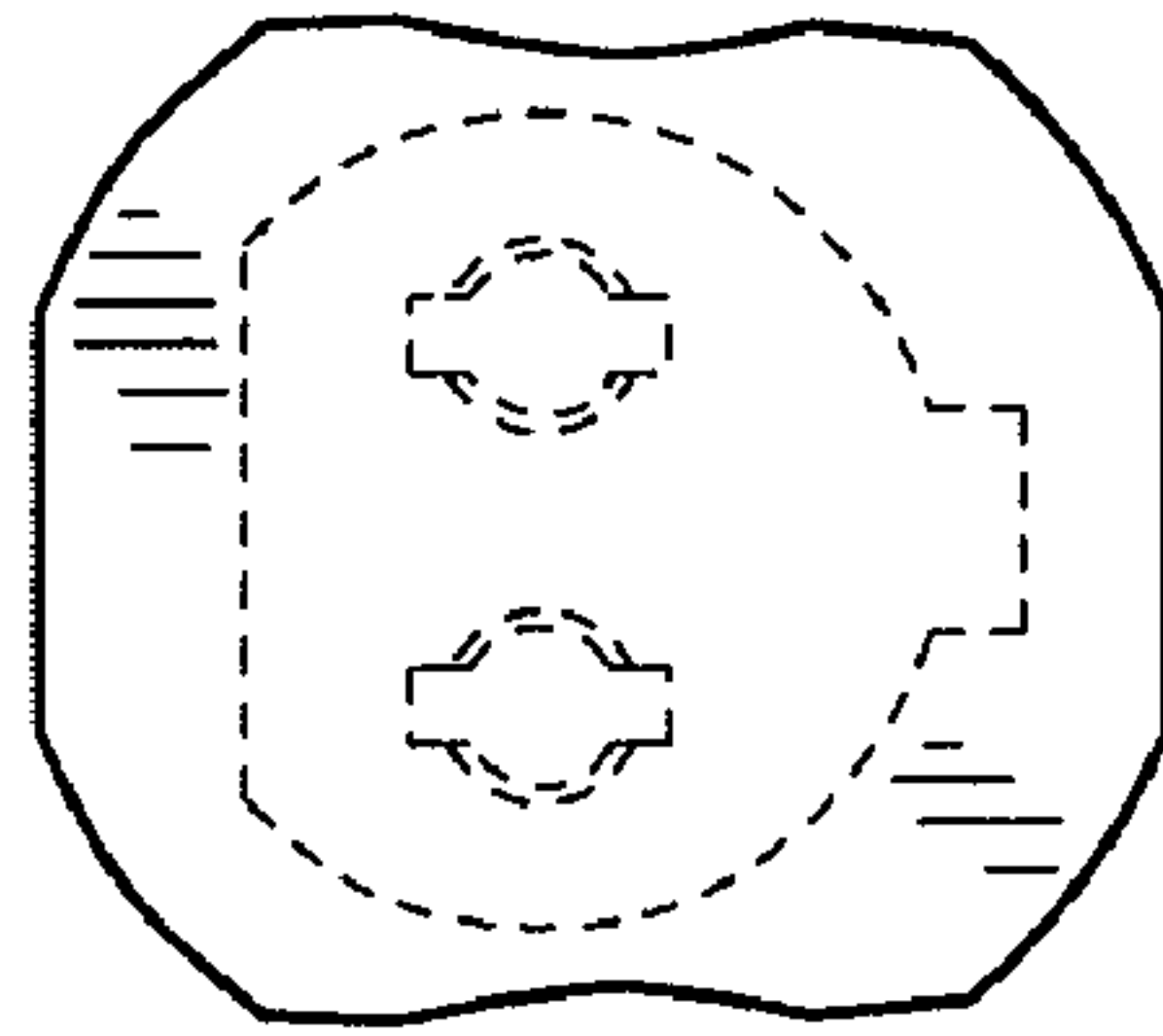


FIG. 2

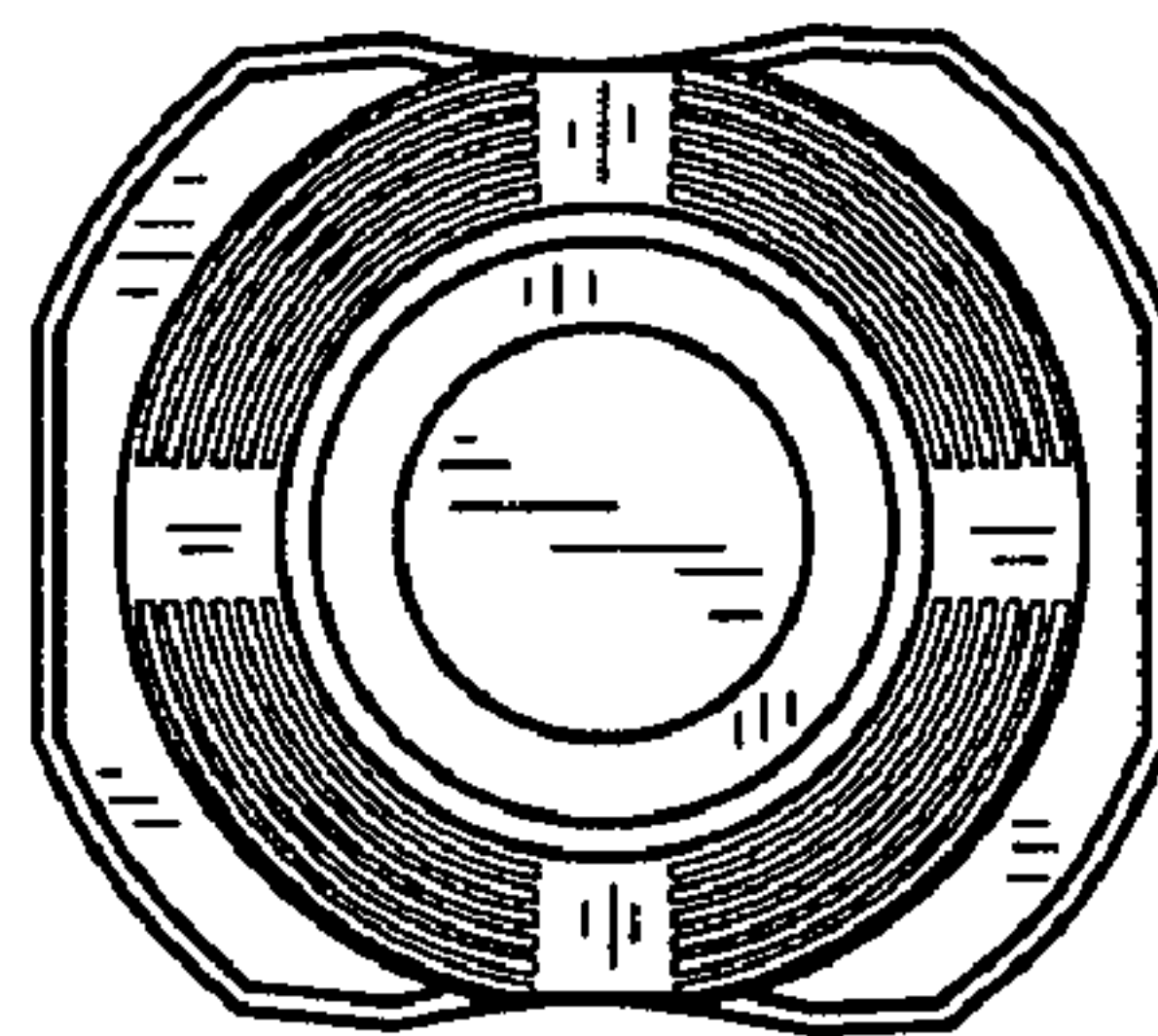


FIG. 3

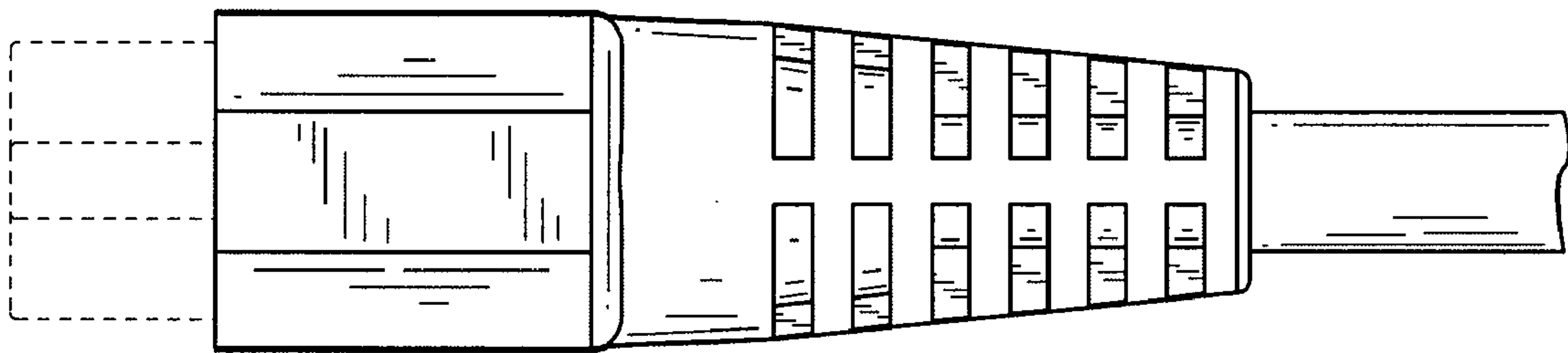


FIG. 4

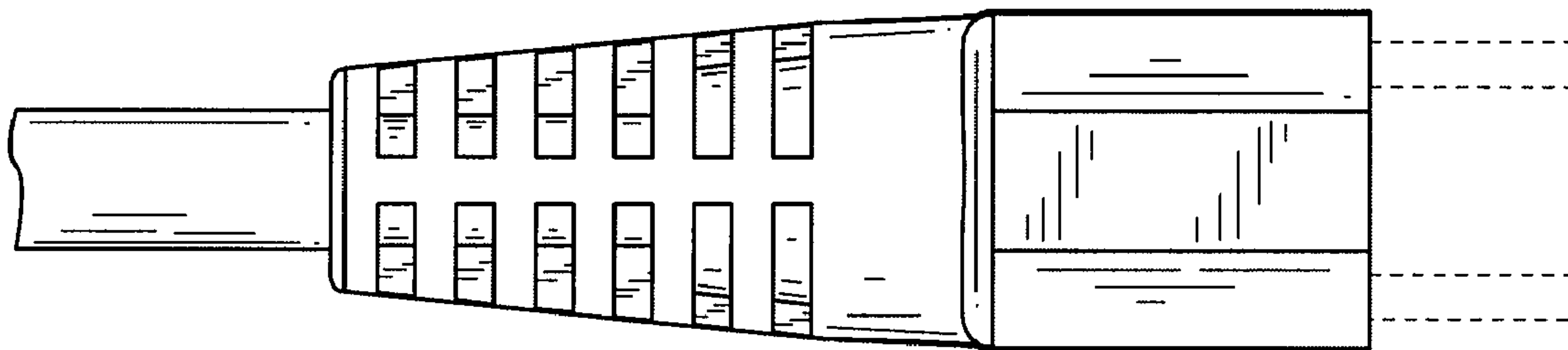


FIG. 5

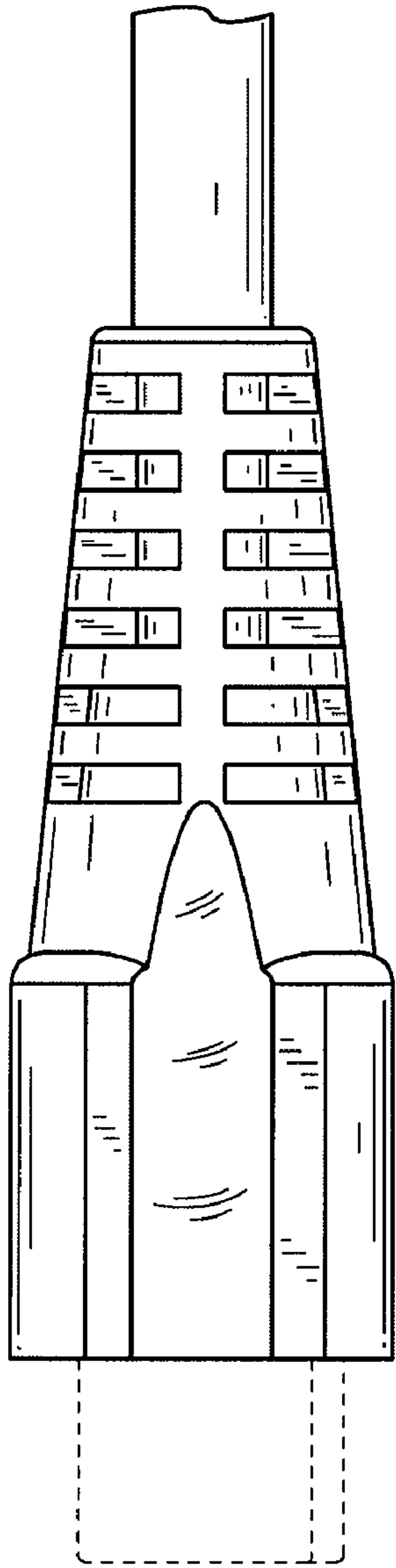


FIG. 6

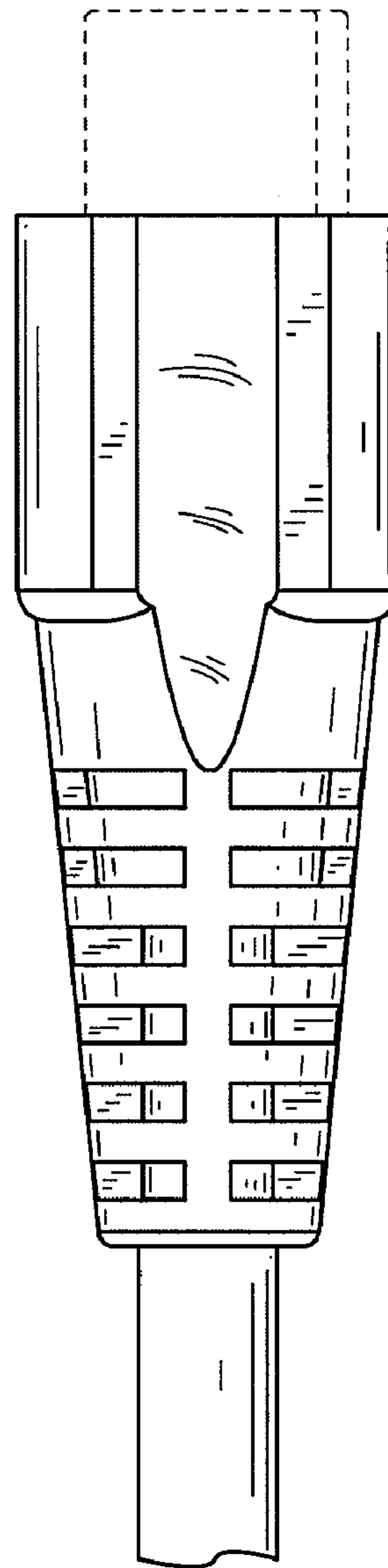


FIG. 7