



US00D638797S

(12) **United States Design Patent**
Ohmori

(10) **Patent No.:** **US D638,797 S**

(45) **Date of Patent:** **** May 31, 2011**

(54) **CONNECTOR**

(75) Inventor: **Yasuhiro Ohmori, Yao (JP)**

(73) Assignee: **Hosiden Corporation, Osaka (JP)**

(**) Term: **14 Years**

(21) Appl. No.: **29/352,699**

(22) Filed: **Dec. 23, 2009**

(30) **Foreign Application Priority Data**

Jun. 23, 2009 (JP) DES .2009-014197
Jun. 23, 2009 (JP) DES .2009-014198
Sep. 14, 2009 (JP) DES .2009-021219

(51) **LOC (9) Cl.** **13-03**

(52) **U.S. Cl.** **D13/133**

(58) **Field of Classification Search** D13/133,
D13/146, 147, 148, 149, 151, 152, 154, 156,
D13/177, 184, 199; 439/578, 625, 675, 668-669,
439/732, 844, 851-852, 865-867, 872, 877,
439/884; 174/50; 175/75 C; 385/53, 55,
385/92, 60, 87, 78

See application file for complete search history.

(56) **References Cited**

U.S. PATENT DOCUMENTS

D287,239 S * 12/1986 Komatsu D13/133
D312,613 S * 12/1990 Shichida D13/133

6,203,349 B1 * 3/2001 Nakazawa 439/319
D456,356 S * 4/2002 Togashi D13/133
D593,038 S * 5/2009 Singer D13/154
D596,135 S * 7/2009 Sakamoto D13/154
D596,136 S * 7/2009 Sakamoto D13/154
D605,596 S * 12/2009 Sakamoto D13/133
D606,022 S * 12/2009 Sakamoto D13/133
2010/0178789 A1 * 7/2010 Ohmori et al. 439/345

* cited by examiner

Primary Examiner — Thomas J Johannes

(74) *Attorney, Agent, or Firm* — The Webb Law Firm

(57) **CLAIM**

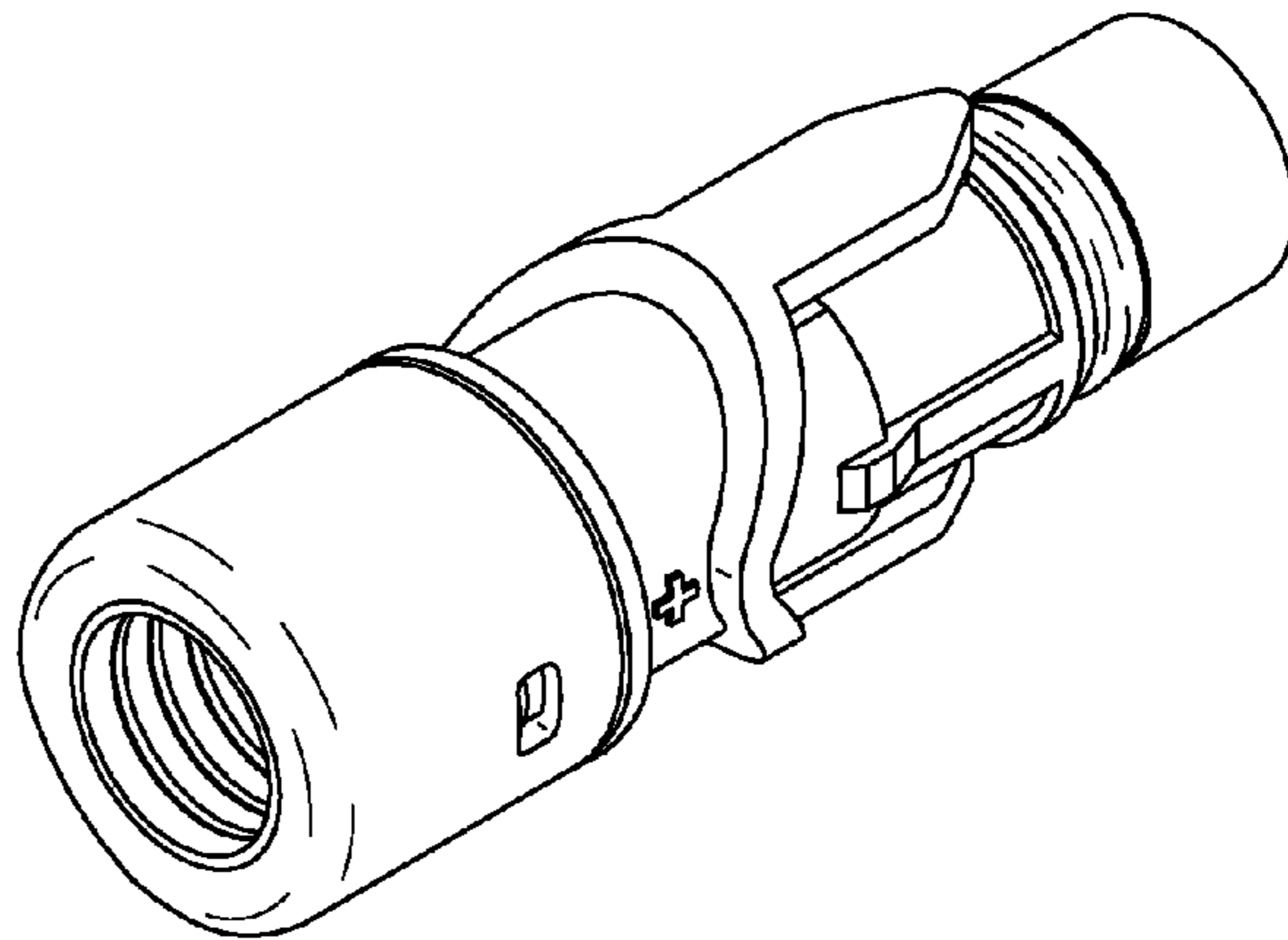
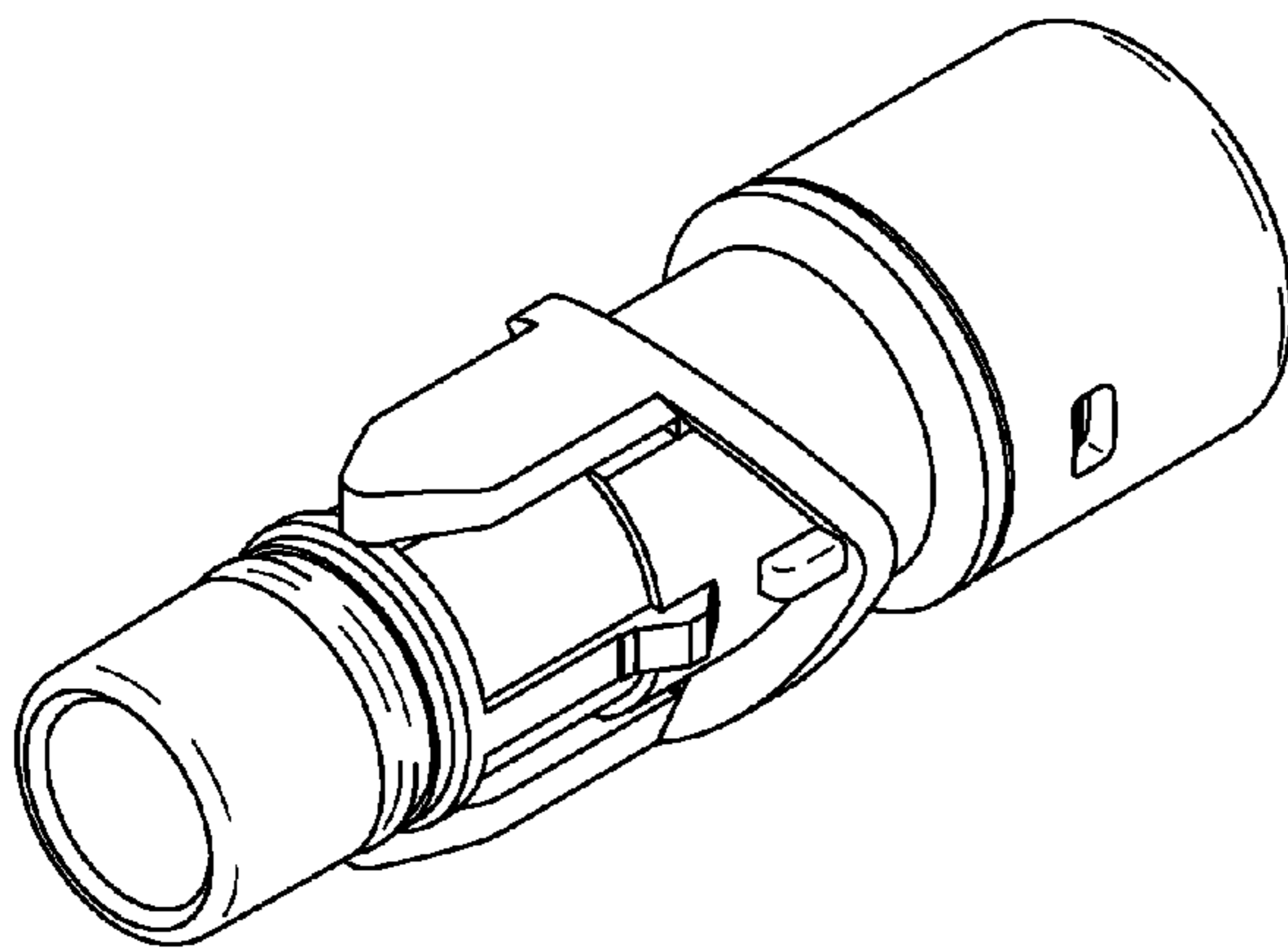
The ornamental design for a connector, as shown and described.

DESCRIPTION

FIG. 1 is a front view of a connector showing my new design; FIG. 2 is a rear elevation view thereof; FIG. 3 is a left side elevation view thereof; FIG. 4 is a right side elevation view thereof; FIG. 5 is a top plan view thereof; FIG. 6 is a bottom plan view thereof; FIG. 7 is a front perspective view thereof; and, FIG. 8 is a rear perspective view thereof.

The broken line portion of the figure drawings is included to show unclaimed subject matter only and forms no part of the claimed design.

1 Claim, 8 Drawing Sheets



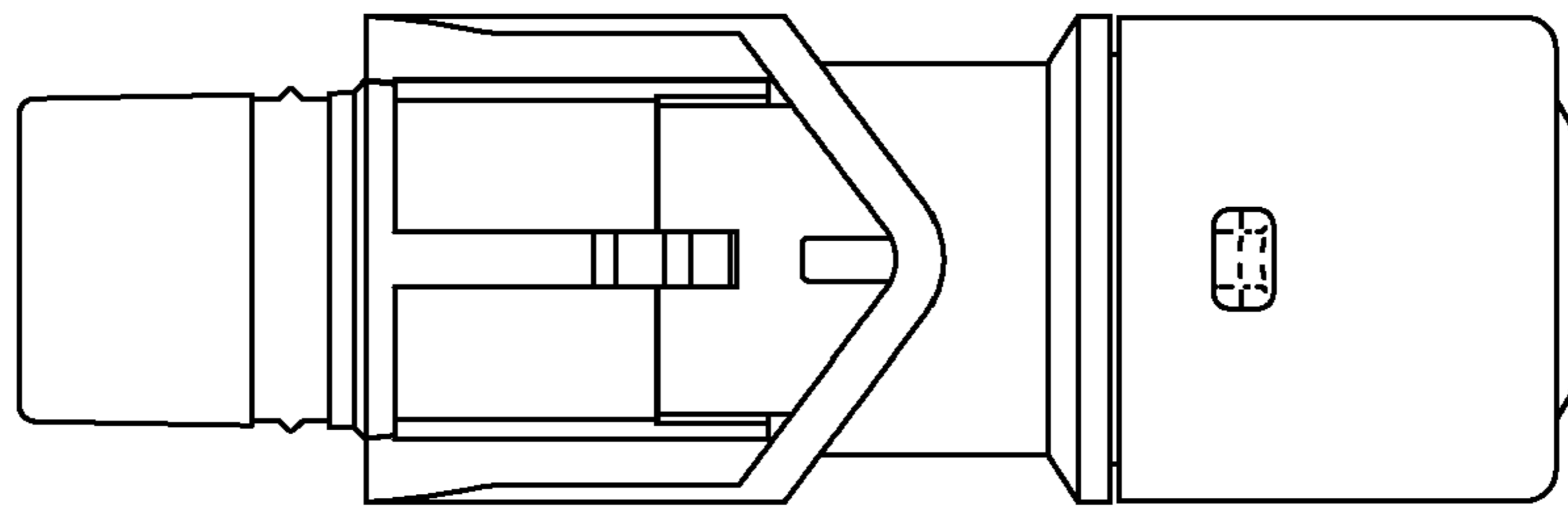


FIG. 1

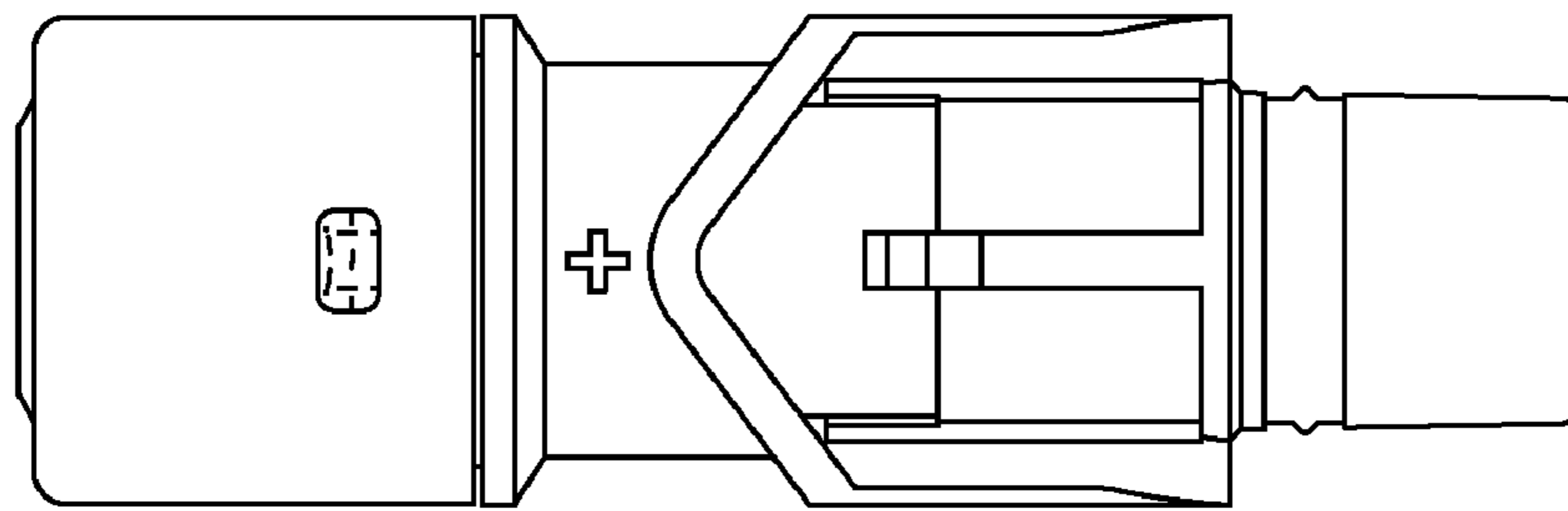


FIG. 2

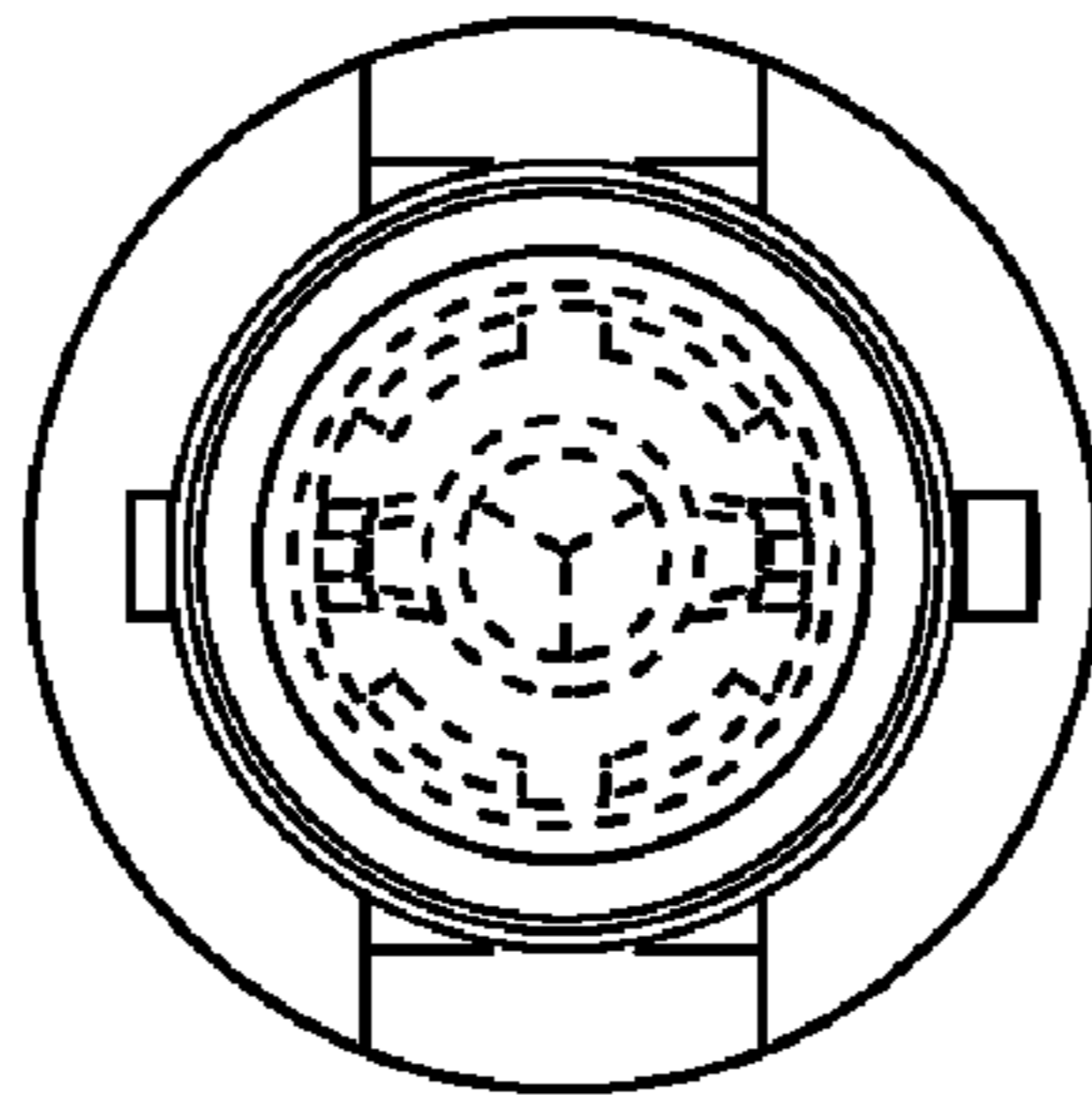


FIG. 3

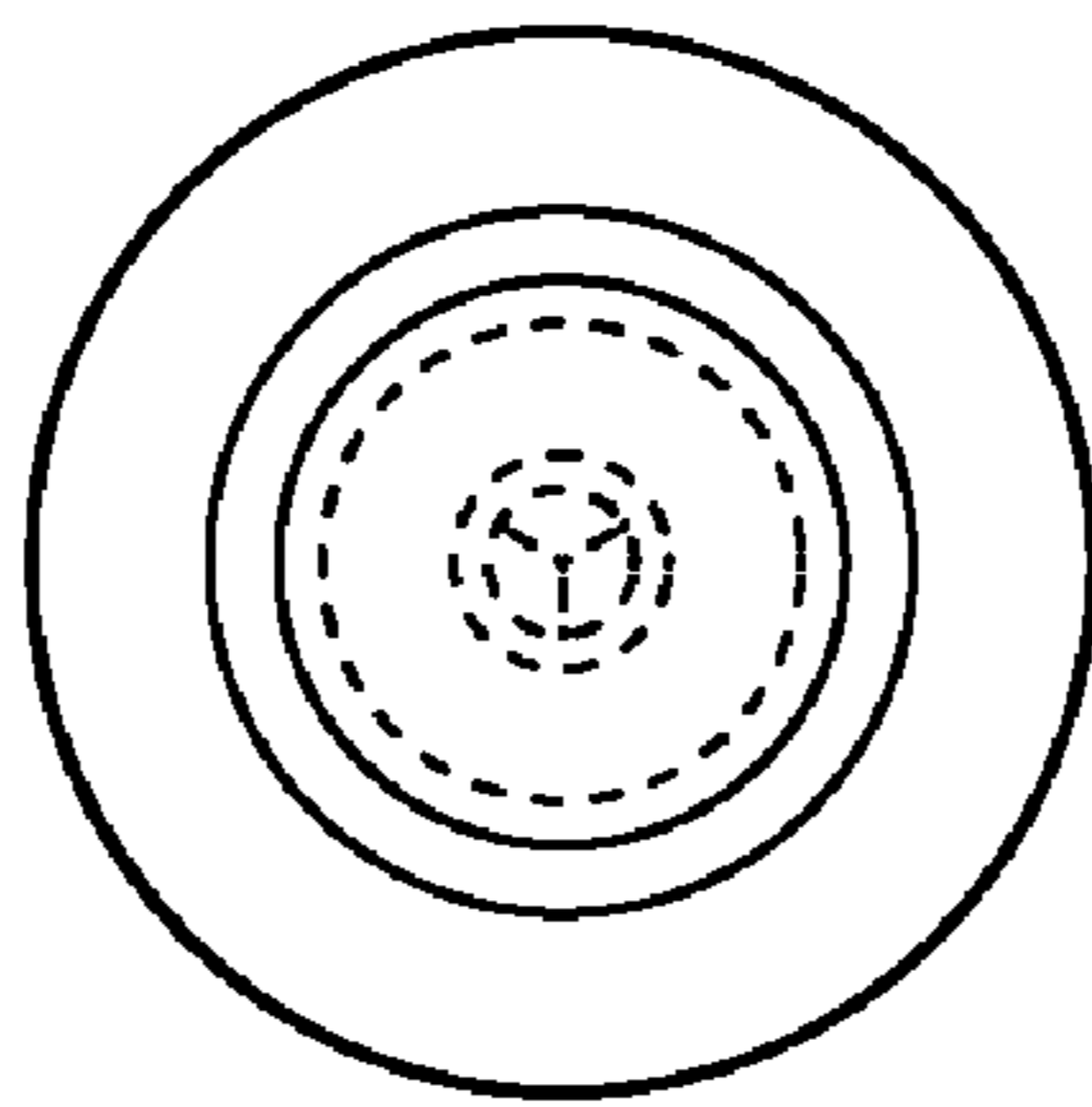


FIG. 4

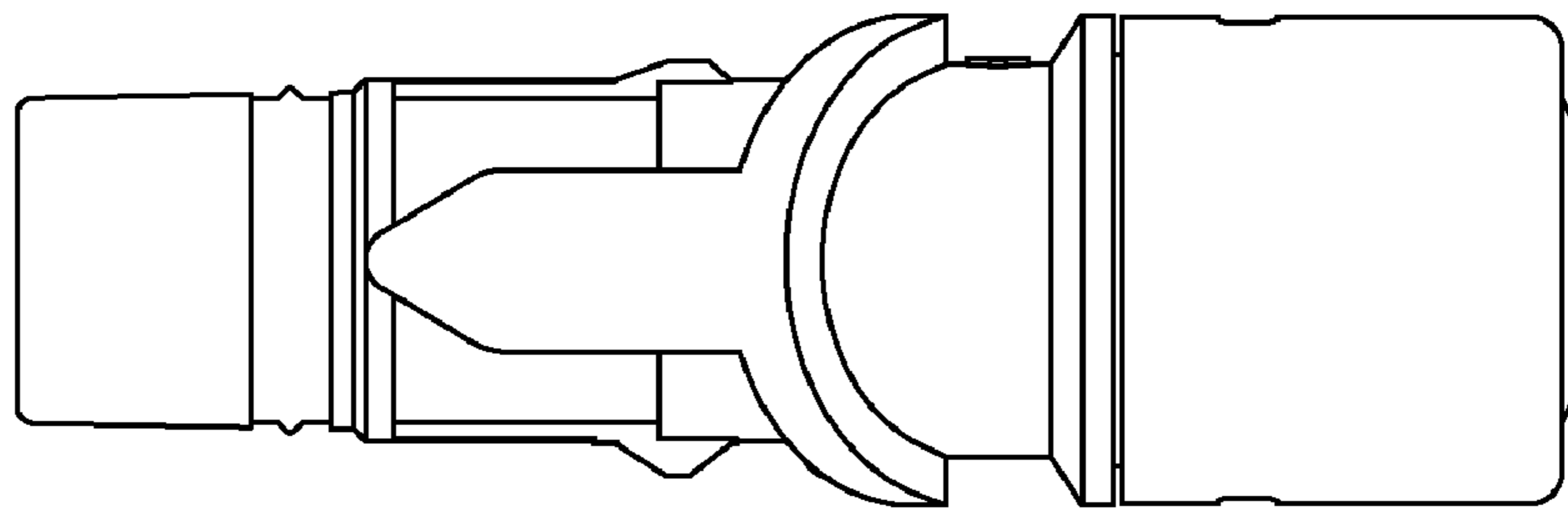


FIG. 5

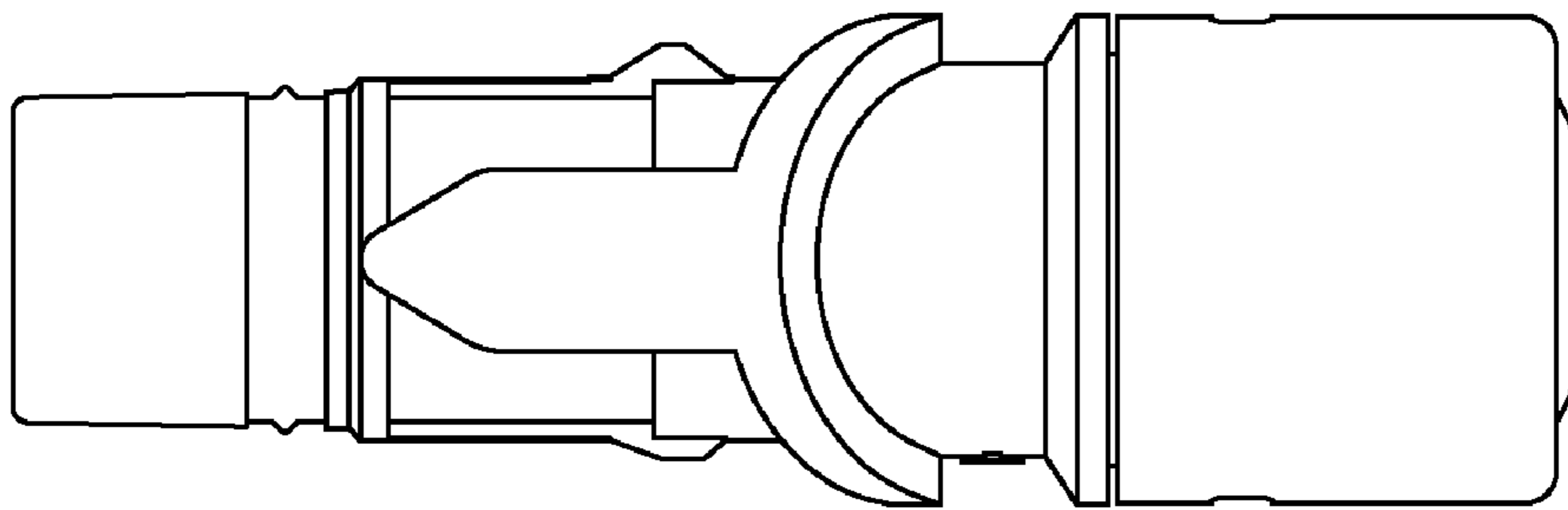


FIG. 6

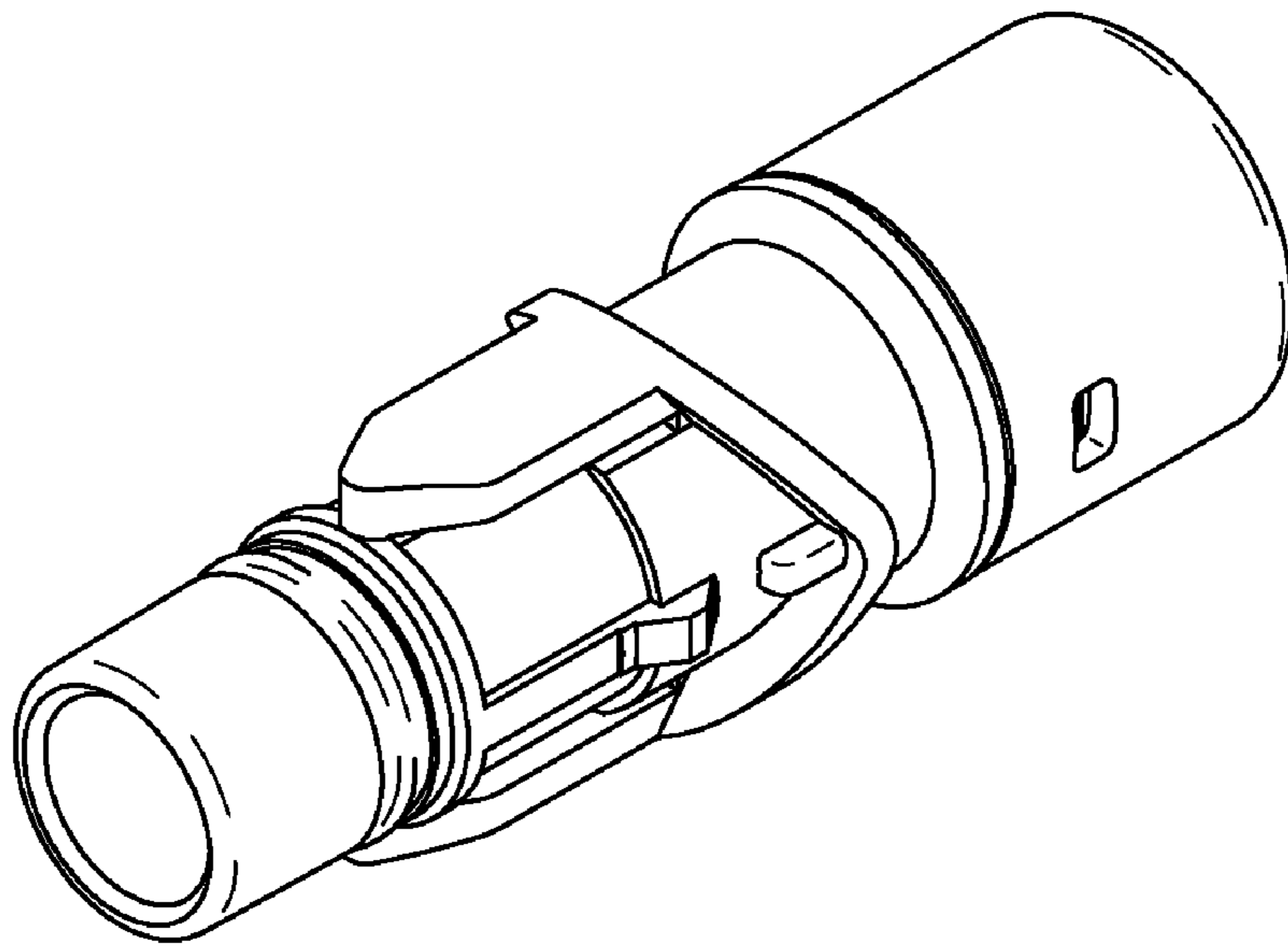


FIG. 7

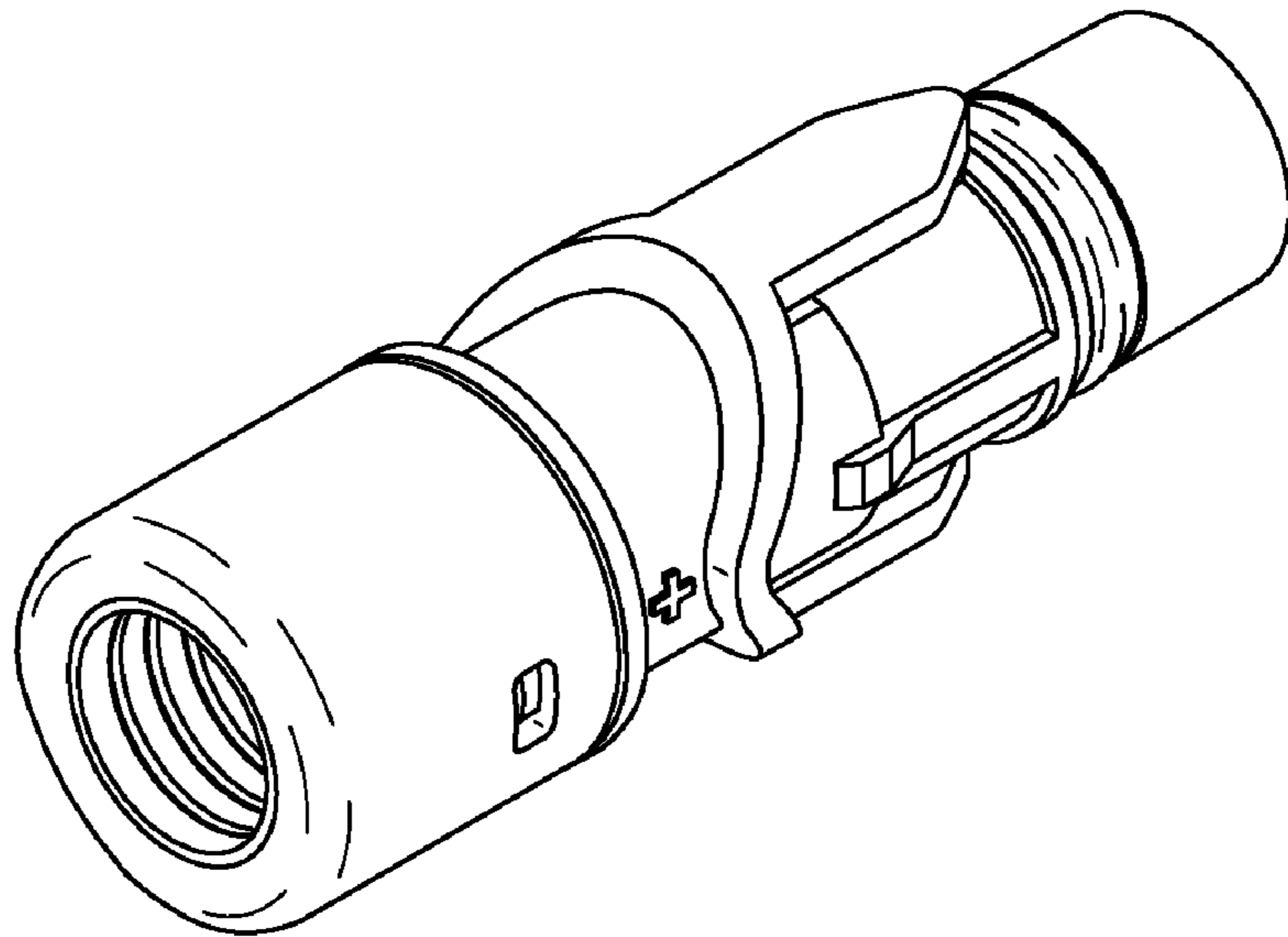


FIG. 8