



US00D638796S

(12) **United States Design Patent**  
**Ashida**

(10) **Patent No.:** **US D638,796 S**

(45) **Date of Patent:** **\*\* May 31, 2011**

(54) **DISCHARGE LAMP**

(75) Inventor: **Katsumi Ashida**, Saitama (JP)

(73) Assignee: **Hoya Candeo Optronics Corporation**,  
Toda-shi (JP)

(\*\*) Term: **14 Years**

(21) Appl. No.: **29/294,968**

(22) Filed: **Feb. 5, 2008**

(30) **Foreign Application Priority Data**

Aug. 10, 2007 (JP) ..... 2007-021933

(51) **LOC (9) Cl.** ..... **13-03**

(52) **U.S. Cl.** ..... **D13/133**

(58) **Field of Classification Search** ..... D26/1-4;  
313/313, 315, 316, 317, 318, 493; 315/52,  
315/53, 56, 57, 58

See application file for complete search history.

(56) **References Cited**

**U.S. PATENT DOCUMENTS**

D359,571 S	6/1995	Abbott	
D506,274 S *	6/2005	Moriyama et al.	D26/3
D537,176 S	2/2007	Iida	
D537,547 S *	2/2007	Iida	D26/3
D600,371 S *	9/2009	Genz et al.	D26/3

**FOREIGN PATENT DOCUMENTS**

JP	1284713	9/2006
JP	1285029	9/2006
JP	1285030	9/2006
JP	1285031	9/2006

JP	1285032	9/2006
JP	1285033	9/2006
JP	1285034	9/2006
JP	1285035	9/2006
JP	1285036	9/2006
JP	1285037	9/2006
JP	1285038	9/2006
JP	1287038	10/2006
JP	1292752	1/2007

\* cited by examiner

*Primary Examiner* — Marcus A Jackson

(74) *Attorney, Agent, or Firm* — Wolfe, Greenfield & Sacks, P.C.

(57) **CLAIM**

The ornamental design for a discharge lamp, as shown and described.

**DESCRIPTION**

FIG. 1 is a front perspective view of a discharge lamp showing my new design;

FIG. 2 is a front view thereof;

FIG. 3 is a rear view thereof

FIG. 4 is a top plan view thereof;

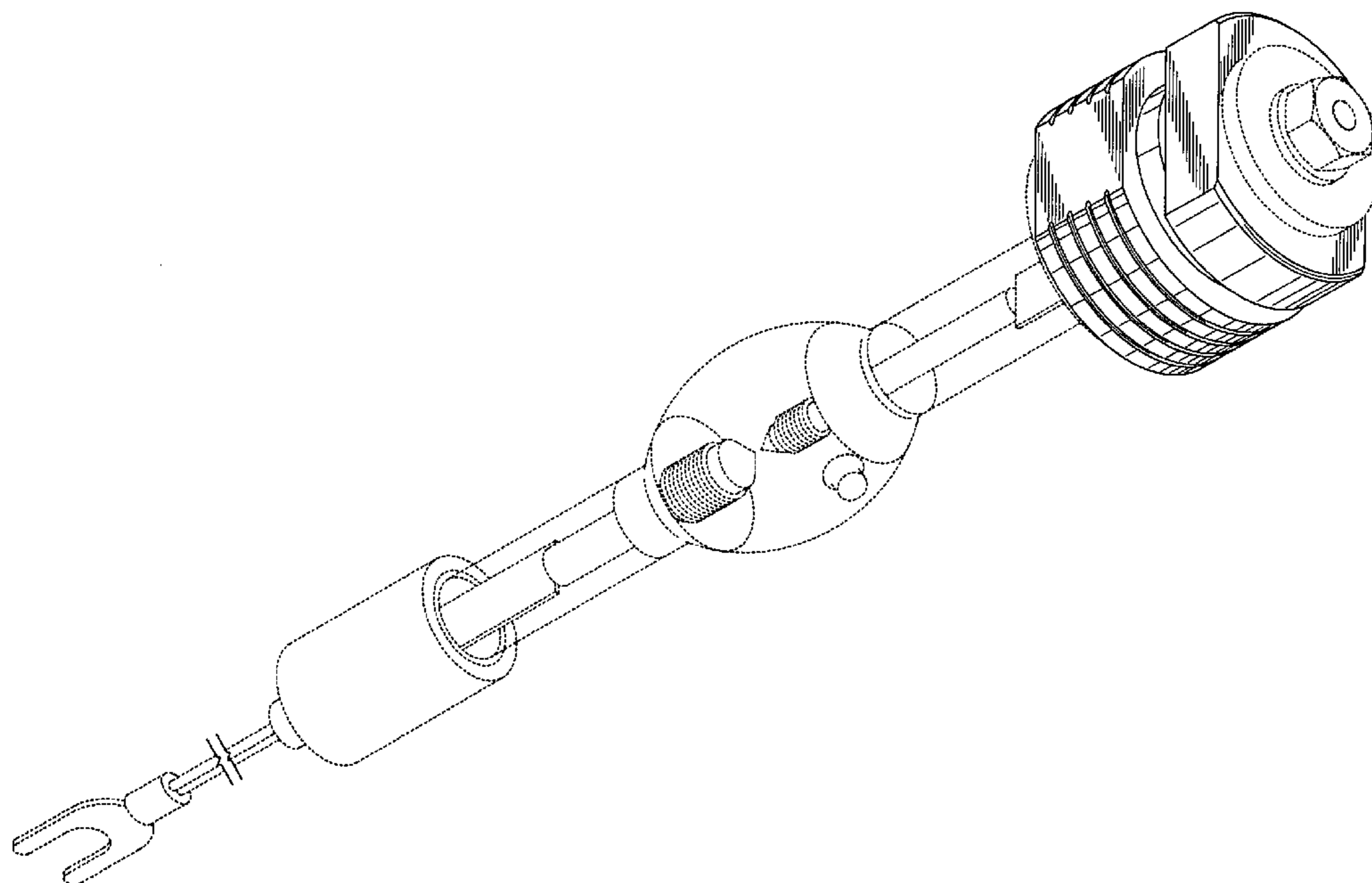
FIG. 5 is a bottom plan view thereof;

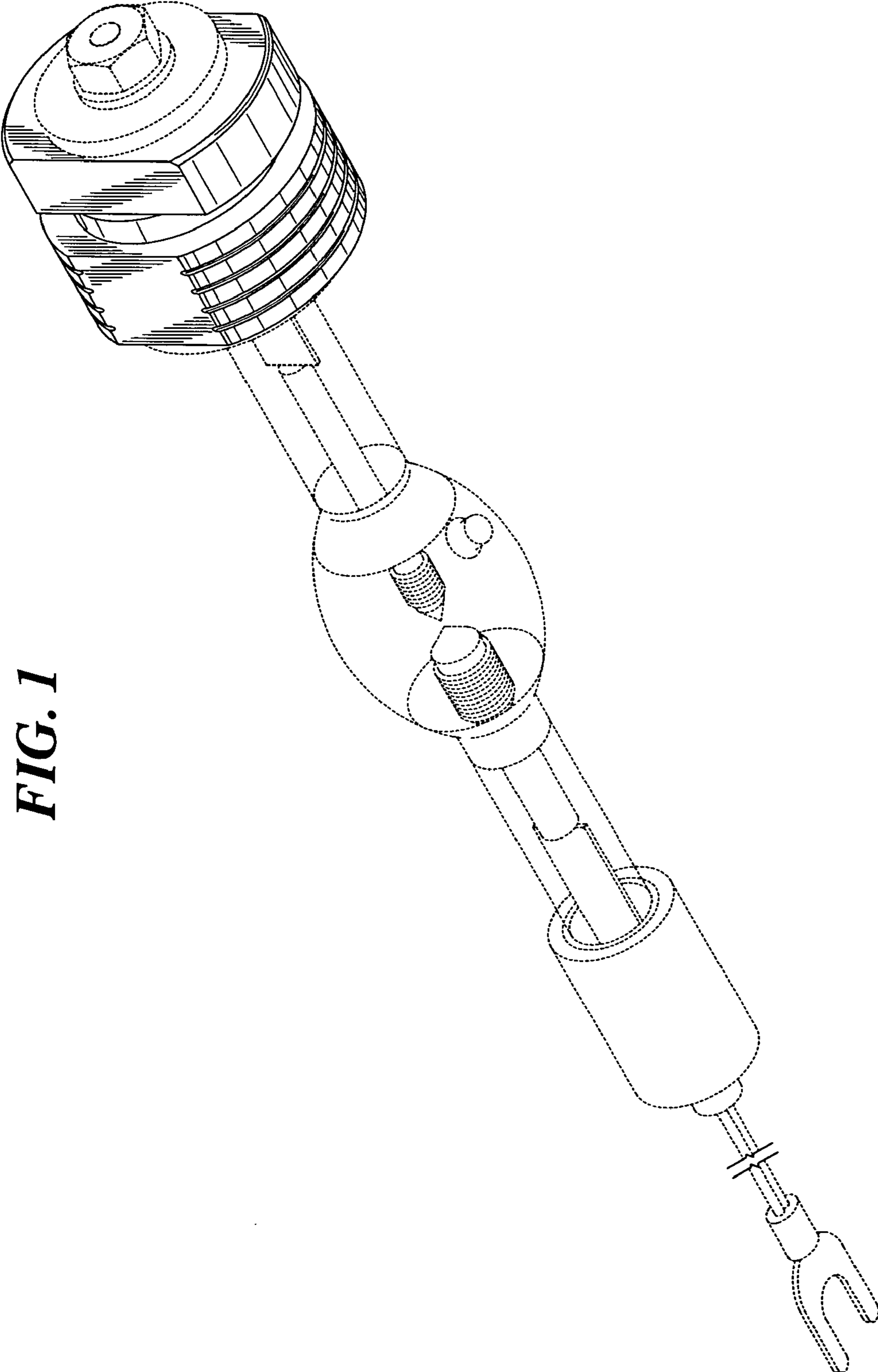
FIG. 6 is a right side elevational view thereof; and,

FIG. 7 is a left side elevational view thereof.

The broken lines are shown for illustrative purposes only and form no part of the claimed design.

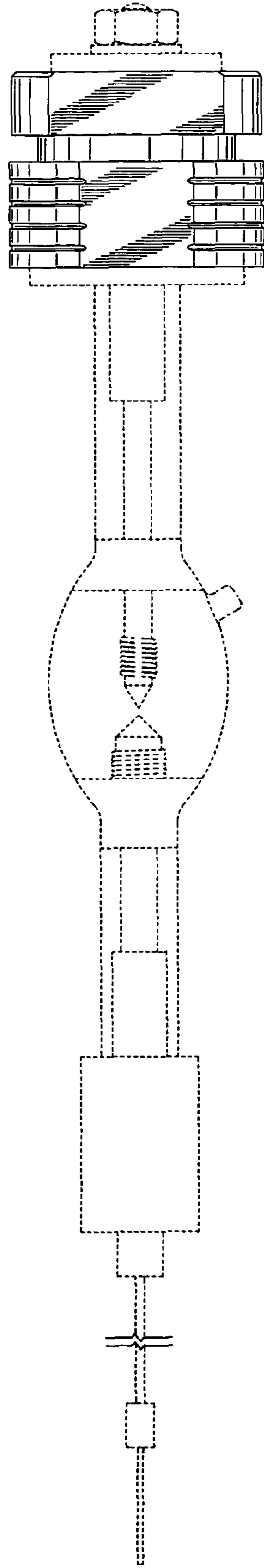
**1 Claim, 4 Drawing Sheets**



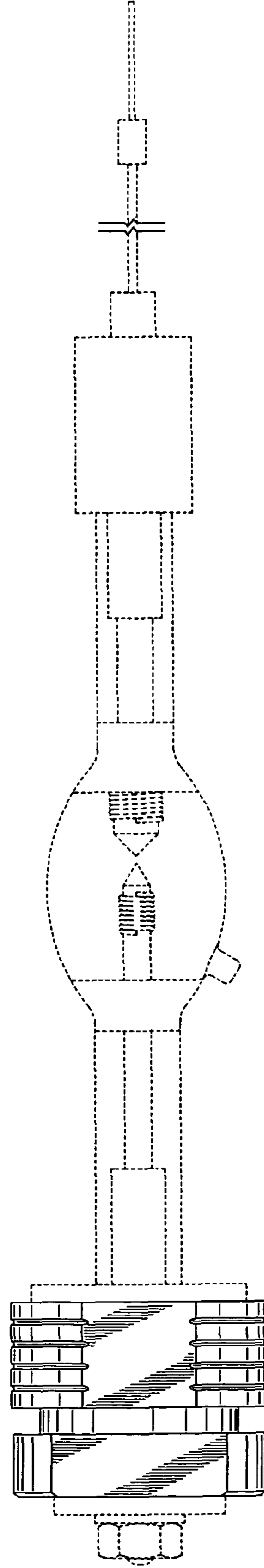


**FIG. 1**

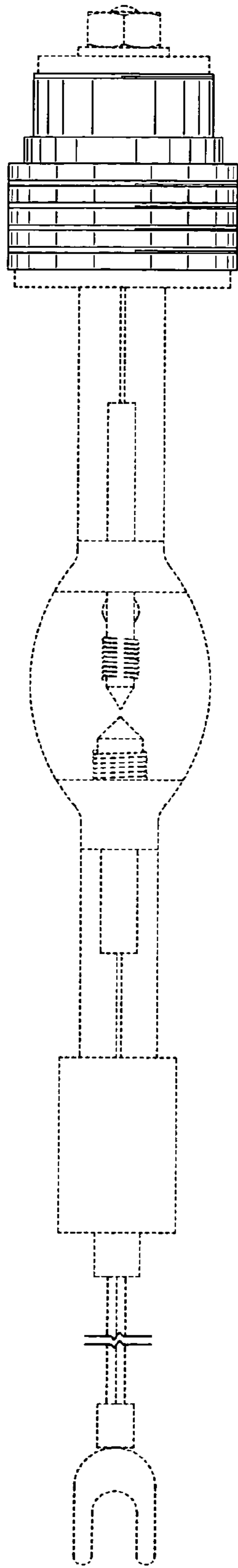
**FIG. 2**



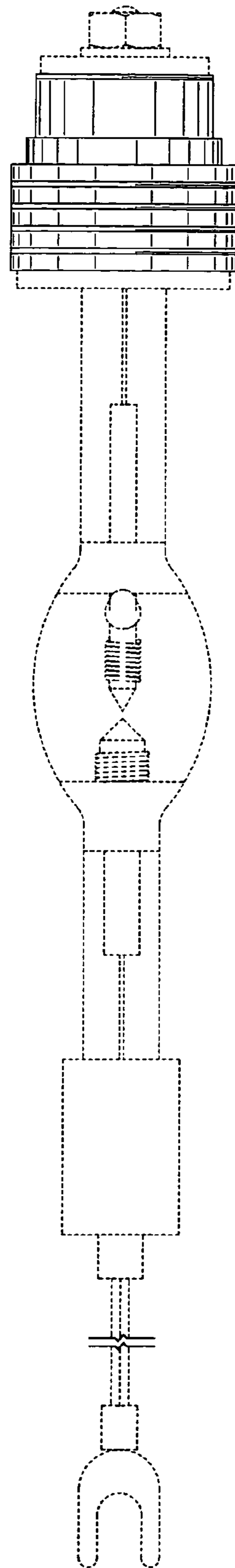
**FIG. 3**



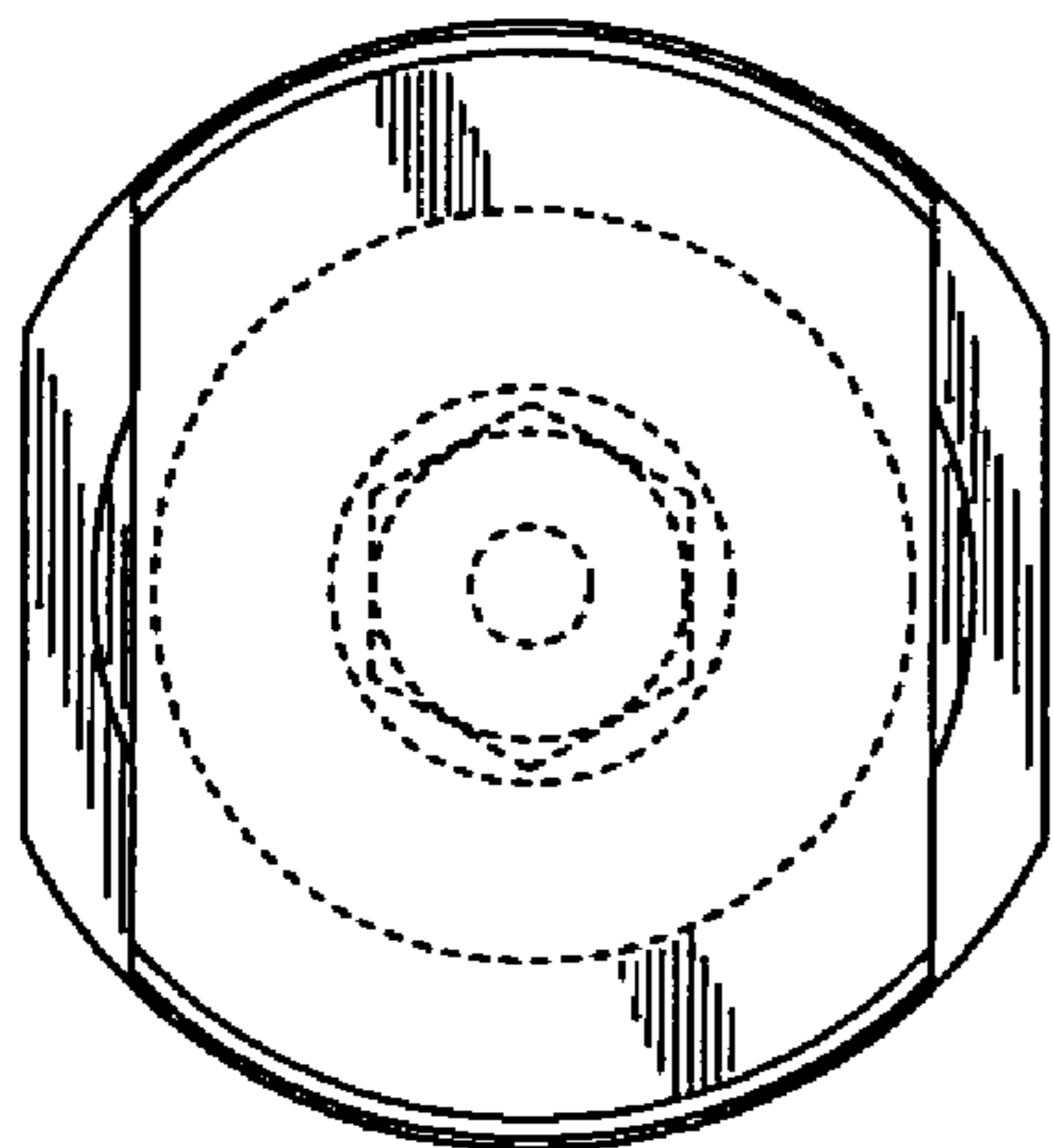
**FIG. 4**



**FIG. 5**



***FIG. 6***



***FIG. 7***

