



US00D638795S

(12) **United States Design Patent**
Bechtel

(10) **Patent No.:** **US D638,795 S**

(45) **Date of Patent:** **** May 31, 2011**

(54) **ENCLOSURE**

(75) Inventor: **Michael Bechtel**, West Allis, WI (US)

(73) Assignee: **Generac Power Systems, Inc.**,
Waukesha, WI (US)

(**) Term: **14 Years**

(21) Appl. No.: **29/353,998**

(22) Filed: **Jan. 18, 2010**

(51) **LOC (9) Cl.** **13-01**

(52) **U.S. Cl.** **D13/122**

(58) **Field of Classification Search** D13/122,
D13/101, 112, 113, 114, 116, 118, 184, 199;
D23/351, 395; 123/2, 3; 290/1 A, 1 B, 1 R
See application file for complete search history.

(56) **References Cited**

U.S. PATENT DOCUMENTS

D149,166 S	4/1948	Chapman	
D215,605 S	10/1969	Smhmurak et al.	
D226,011 S	1/1973	Urquhart et al.	
D227,411 S	6/1973	DeBella	
D235,653 S	7/1975	Bozich	
D271,328 S *	11/1983	Lanier et al.	D23/351
4,495,901 A *	1/1985	Nannini et al.	123/2
D277,954 S *	3/1985	Mizushima	D13/114
5,168,171 A	12/1992	Tracewell	
5,734,148 A	3/1998	Latvis et al.	
5,899,174 A *	5/1999	Anderson et al.	123/2
D416,537 S *	11/1999	Imai et al.	D13/116

D437,586 S *	2/2001	Sonntag	D13/184
D480,359 S	10/2003	Yamada et al.	
D490,374 S	5/2004	Amakawa et al.	
D516,507 S	3/2006	Nushart et al.	
D534,863 S *	1/2007	Yasuda et al.	D13/112
D562,238 S *	2/2008	Nozaki et al.	D13/114
D564,450 S *	3/2008	Gravlin et al.	D13/122
D574,323 S *	8/2008	Waler	D13/112

* cited by examiner

Primary Examiner — Stella M Reid

Assistant Examiner — Derrick Holland

(74) *Attorney, Agent, or Firm* — Boyle Fredrickson, S.C.

(57) **CLAIM**

The ornamental design for an enclosure, as shown and described.

DESCRIPTION

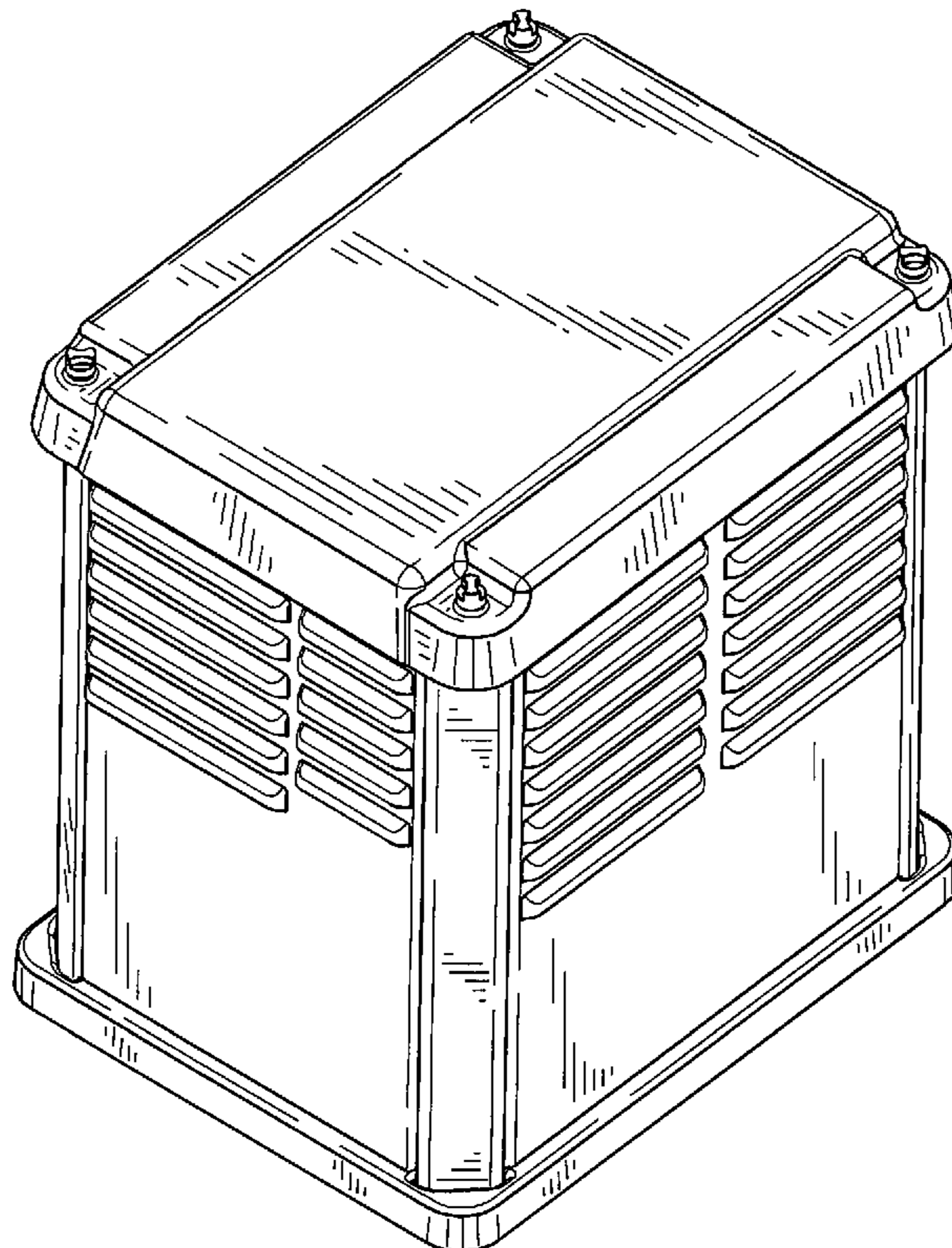
FIG. 1 is a top perspective view of an enclosure showing my new design;

FIG. 2 is a left side elevation view of the enclosure of FIG. 1; FIG. 3 is a right side elevation view of the enclosure of FIG. 1;

FIG. 4 is a front elevation view of the enclosure of FIG. 1; FIG. 5 is a rear elevation view of the enclosure of FIG. 1; and, FIG. 6 is a top plan view of the enclosure of FIG. 1.

The broken lines showing of unclaimed portions of the enclosure are included for the purpose of illustrating environmental structure and form no part of the claimed design.

1 Claim, 6 Drawing Sheets



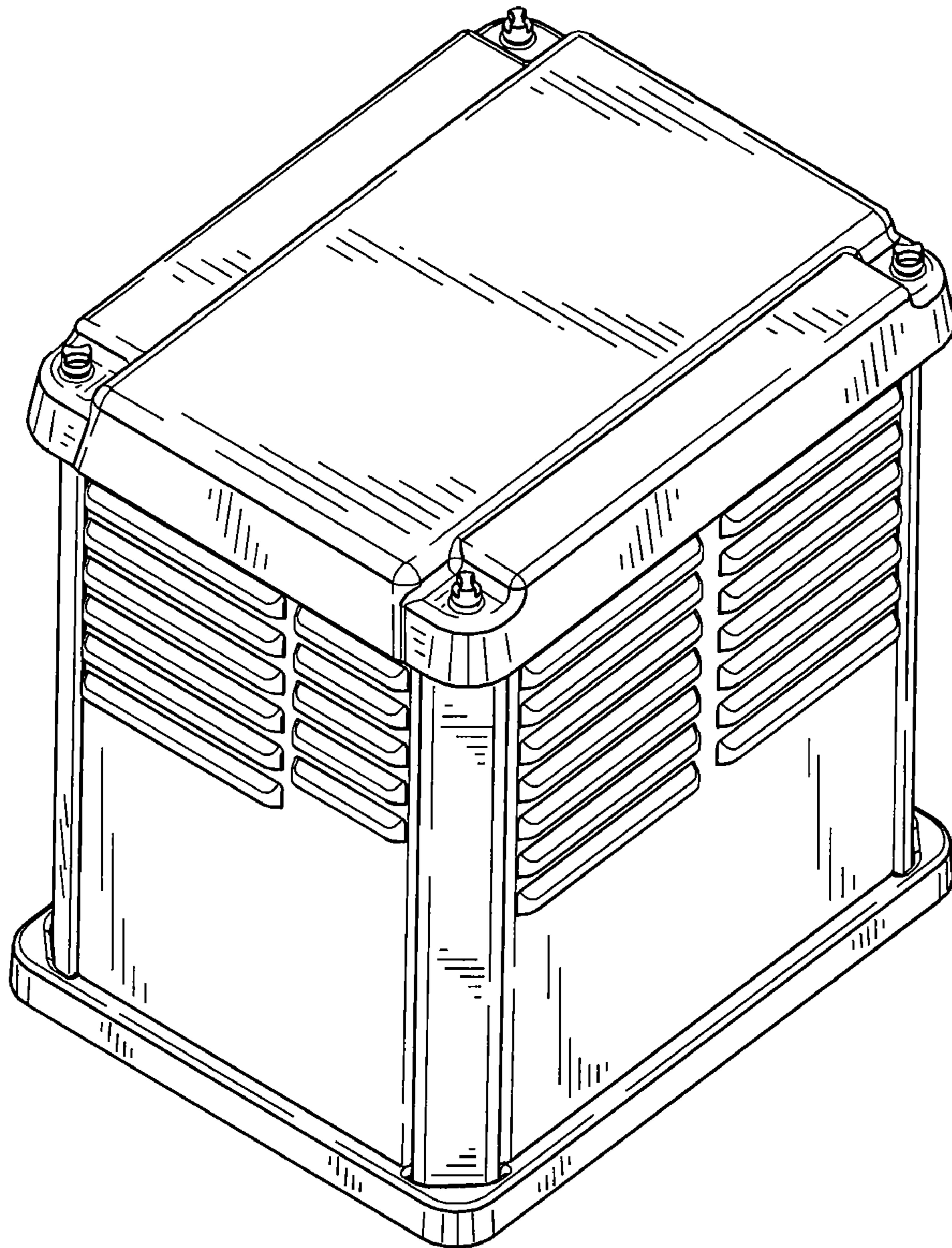


FIG. 1

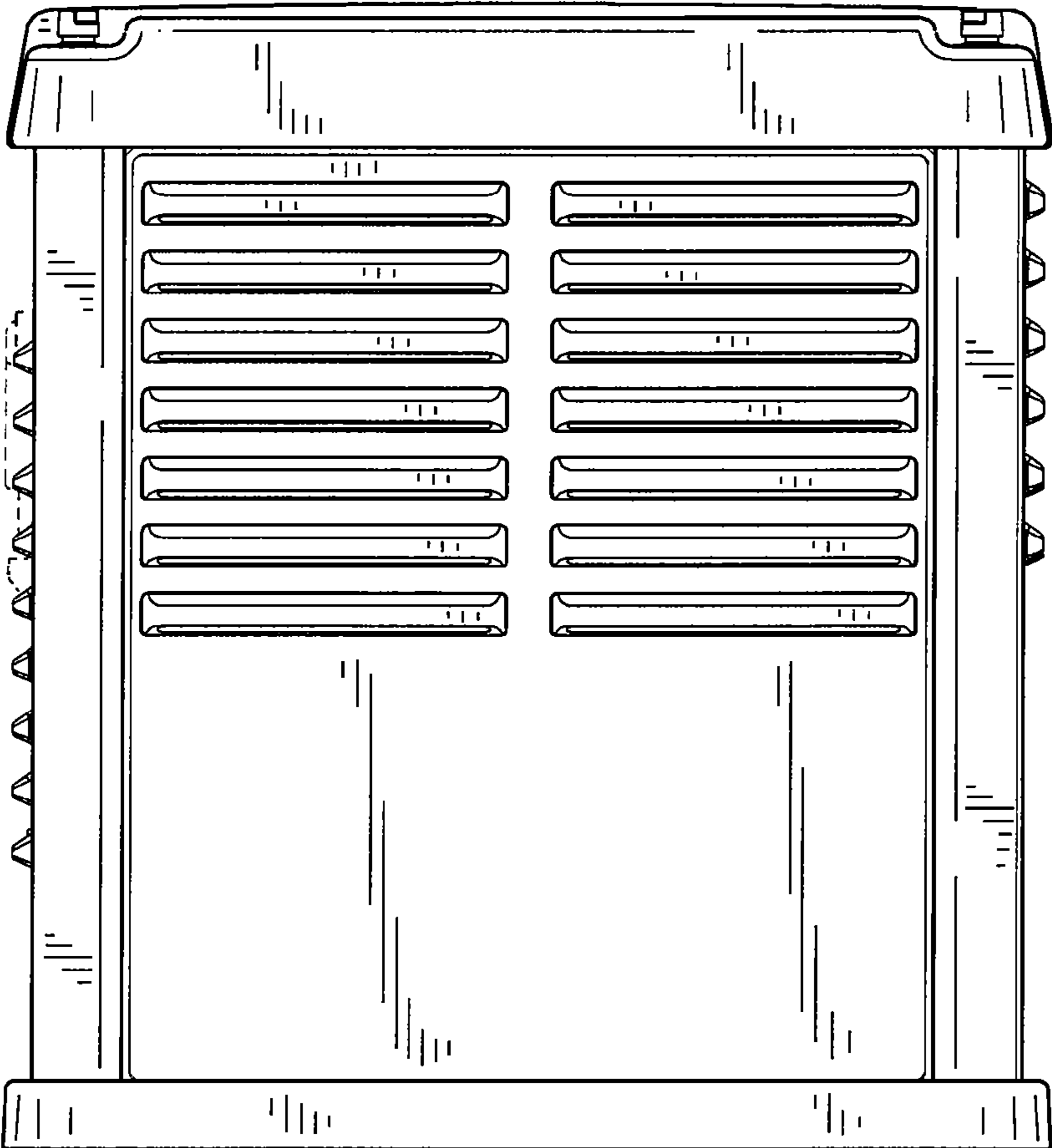


FIG. 2

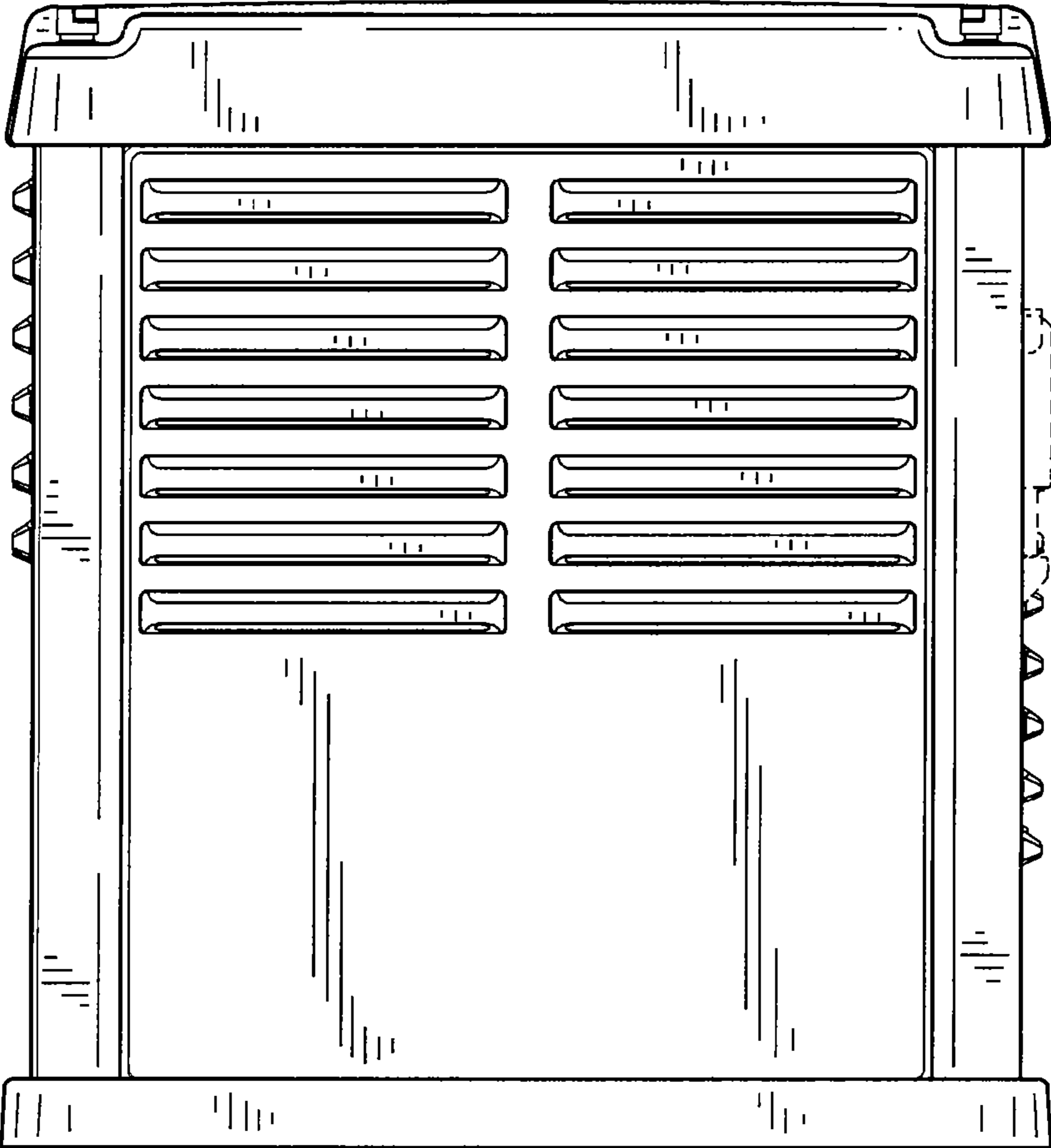


FIG. 3

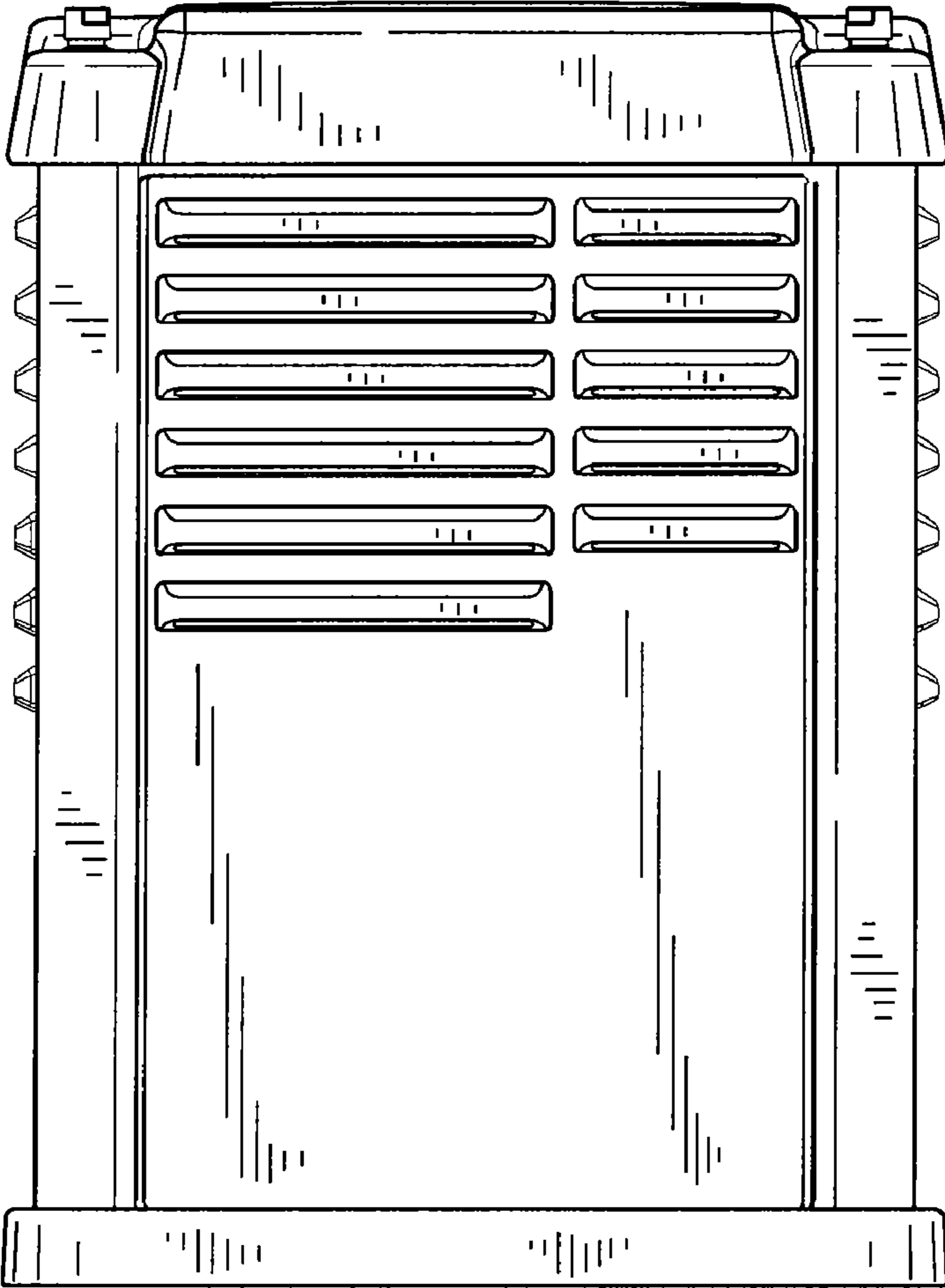


FIG. 4

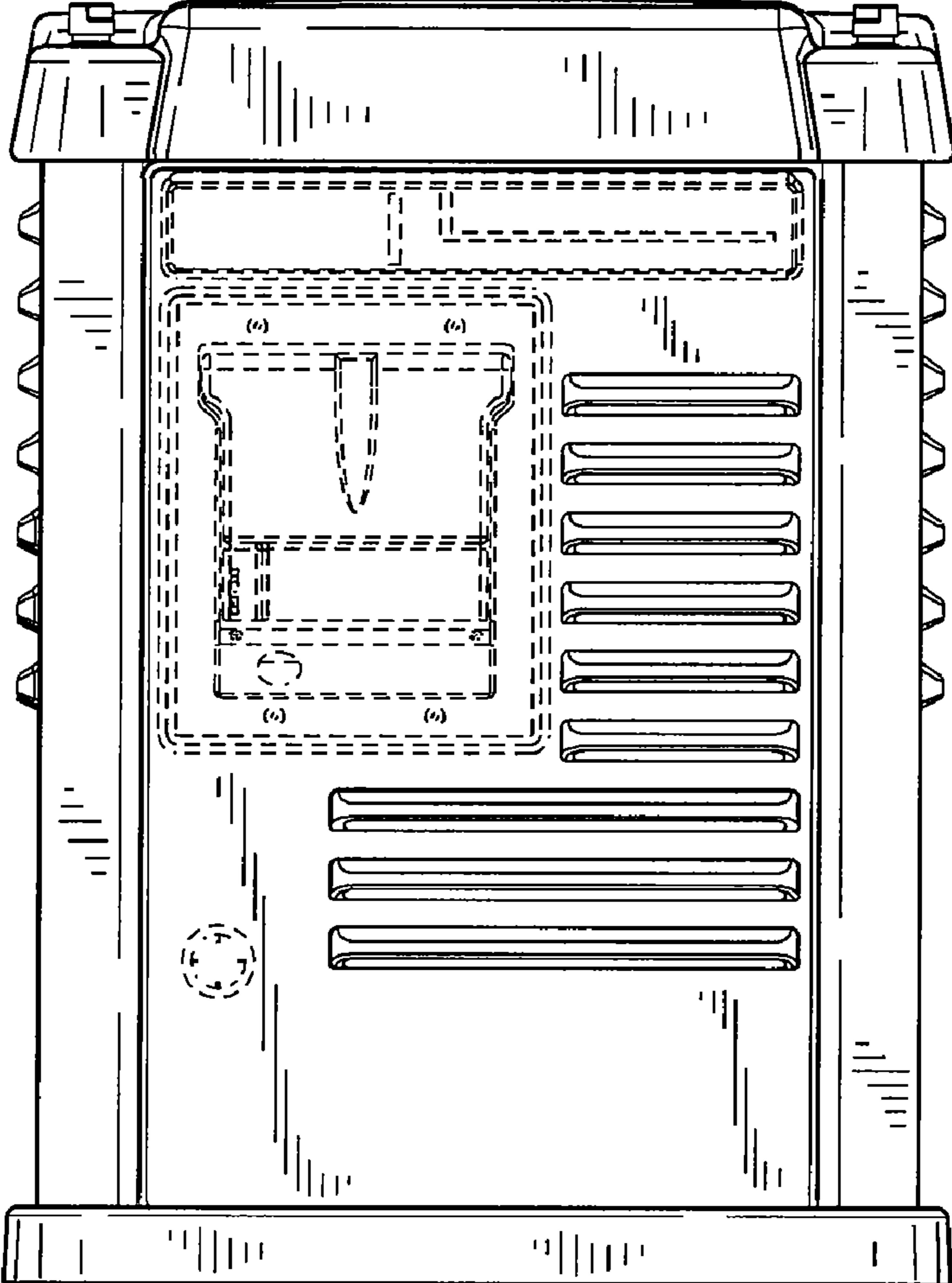


FIG. 5

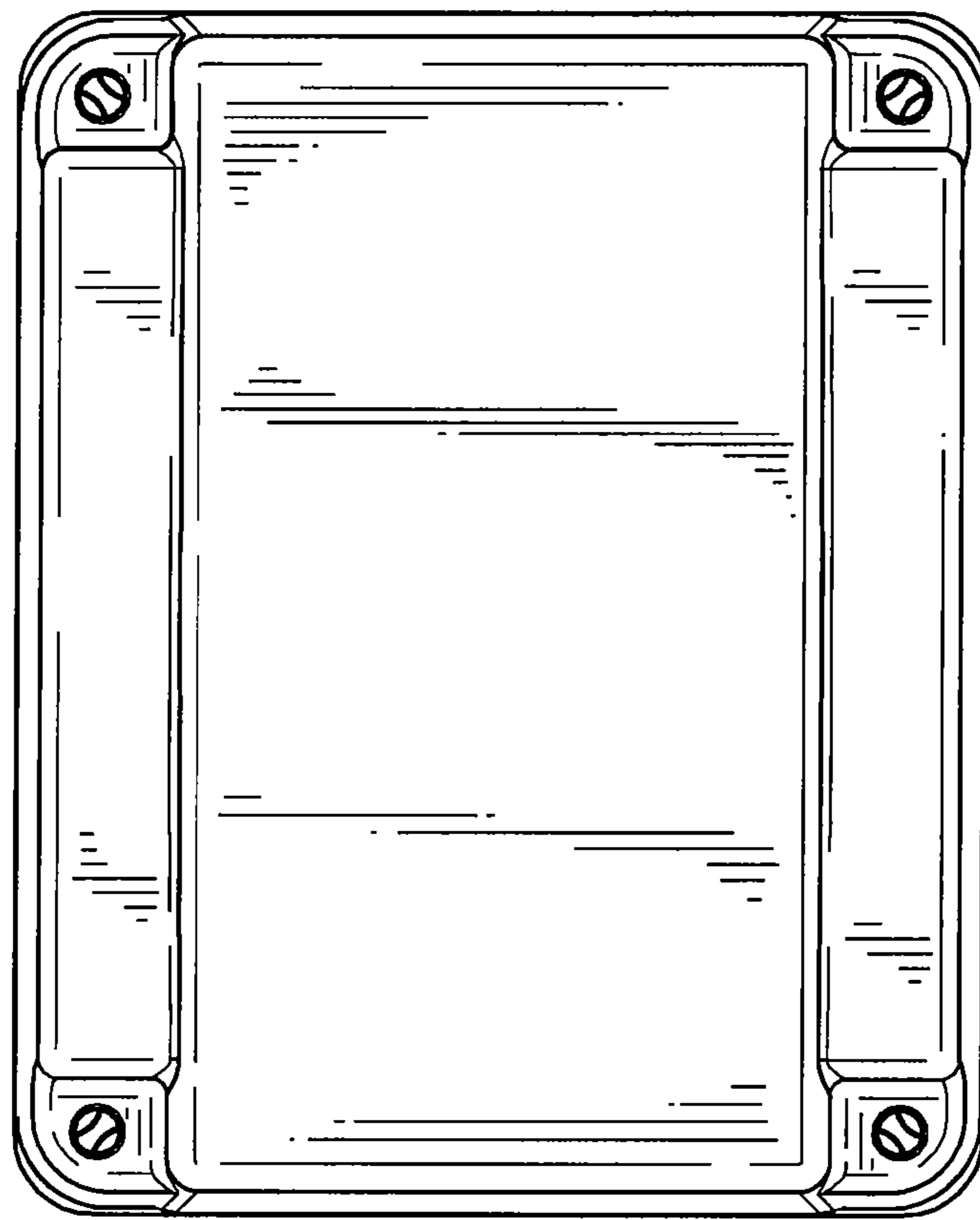


FIG. 6

UNITED STATES PATENT AND TRADEMARK OFFICE
CERTIFICATE OF CORRECTION

PATENT NO. : D638,795 S
APPLICATION NO. : 29/353998
DATED : May 31, 2011
INVENTOR(S) : Michael Bechtel

Page 1 of 1

It is certified that error appears in the above-identified patent and that said Letters Patent is hereby corrected as shown below:

ON THE TITLE

Item (75) Inventors:

Please add the following inventors:

-- Joel Wray and Jonathan Gohde --.

Signed and Sealed this
Fourth Day of October, 2011

A handwritten signature in black ink that reads "David J. Kappos". The signature is written in a cursive style with a large initial 'D' and 'K'.

David J. Kappos
Director of the United States Patent and Trademark Office