



US00D638793S

(12) **United States Design Patent**
Perin

(10) **Patent No.:** **US D638,793 S**

(45) **Date of Patent:** **** May 31, 2011**

(54) **FREQUENCY CONVERTER**

(75) Inventor: **Andrea Perin**, Cavriago (IT)

(73) Assignee: **Vacon Oyj** (FI)

(**) Term: **14 Years**

(21) Appl. No.: **29/357,130**

(22) Filed: **Mar. 8, 2010**

(51) **LOC (9) Cl.** **13-02**

(52) **U.S. Cl.** **D13/110**

(58) **Field of Classification Search** D13/110,
D13/101, 123, 162, 184, 199; D14/348,
D14/349, 353, 357, 358; 361/600, 601, 707,
361/715, 730; 363/15, 35, 141, 157, 174,
363/175, 177

See application file for complete search history.

(56) **References Cited**

U.S. PATENT DOCUMENTS

D296,895	S	*	7/1988	Nakayama	D14/230
D358,753	S	*	5/1995	Yoshida et al.	D13/123
D365,082	S	*	12/1995	Cook et al.	D13/110
D409,139	S	*	5/1999	Cornell et al.	D13/110

6,650,559	B1	*	11/2003	Okamoto et al.	363/141
D541,743	S	*	5/2007	Virolainen et al.	D13/110
D541,745	S	*	5/2007	Virolainen et al.	D13/110
D548,183	S	*	8/2007	Hakala et al.	D13/110

* cited by examiner

Primary Examiner — Stella M Reid

Assistant Examiner — Derrick Holland

(74) *Attorney, Agent, or Firm* — Holland & Hart LLP

(57) **CLAIM**

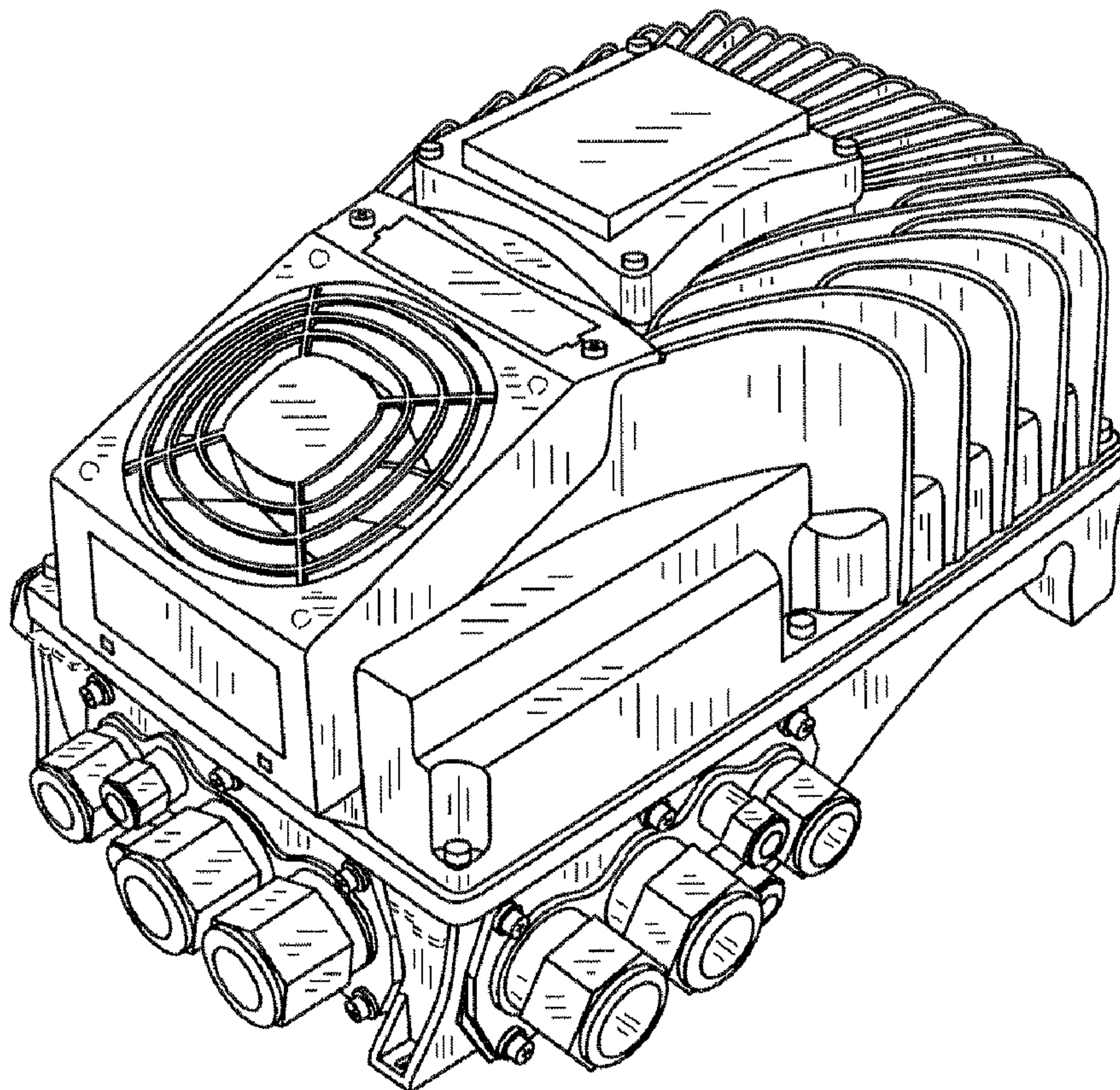
The ornamental design for a frequency converter, as shown and described.

DESCRIPTION

FIG. 1 is a top perspective view of a frequency converter showing my new design; FIG. 2 is a front elevation view thereof; FIG. 3 is a rear elevation view thereof; FIG. 4 is a right elevation view thereof; FIG. 5 is a left elevation view thereof; FIG. 6 is a top plan view thereof; and, FIG. 7 is a bottom plan view thereof.

The broken lines shown represent unclaimed subject matter and form no part of the claimed design.

1 Claim, 7 Drawing Sheets



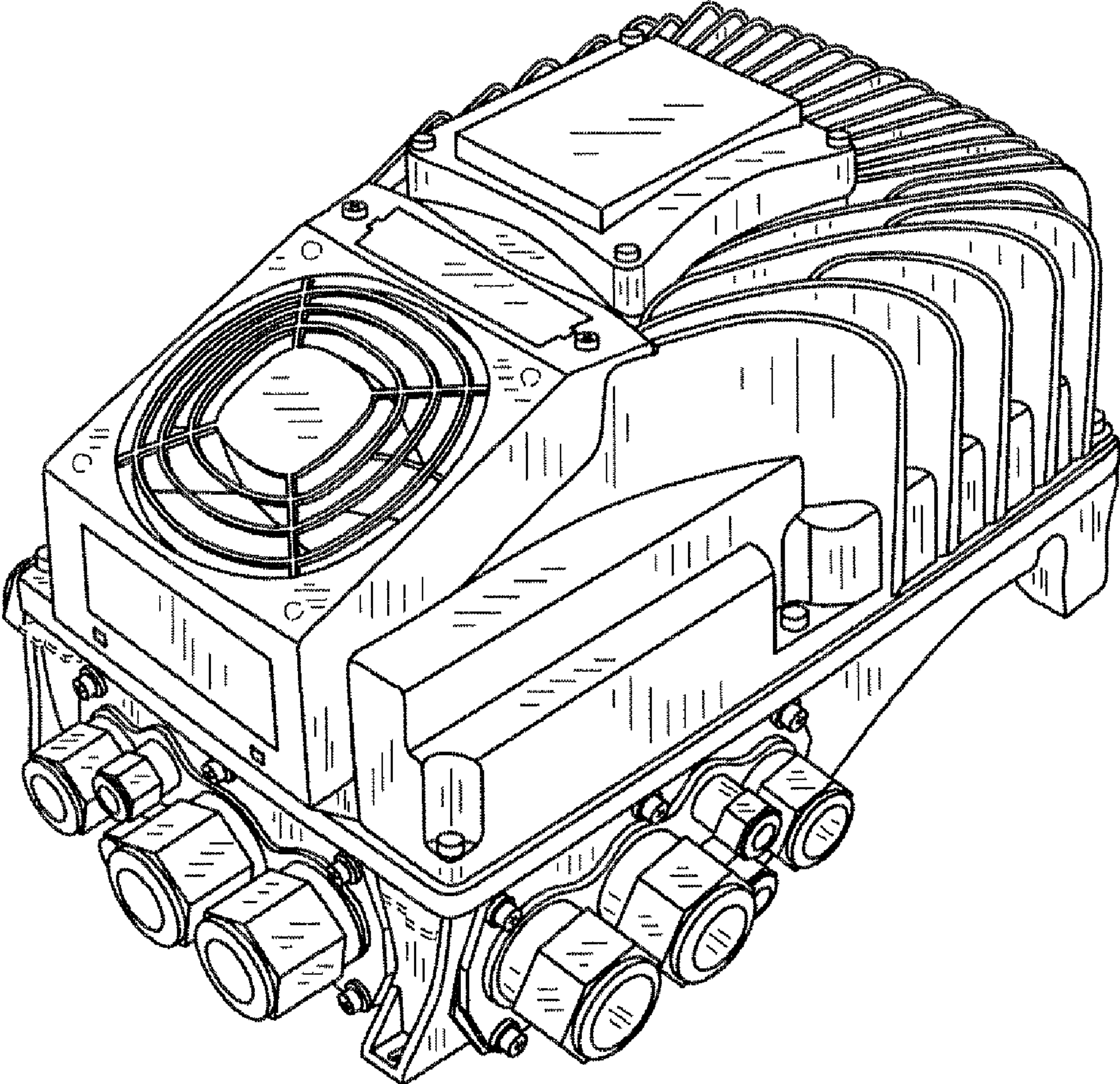


FIG.1

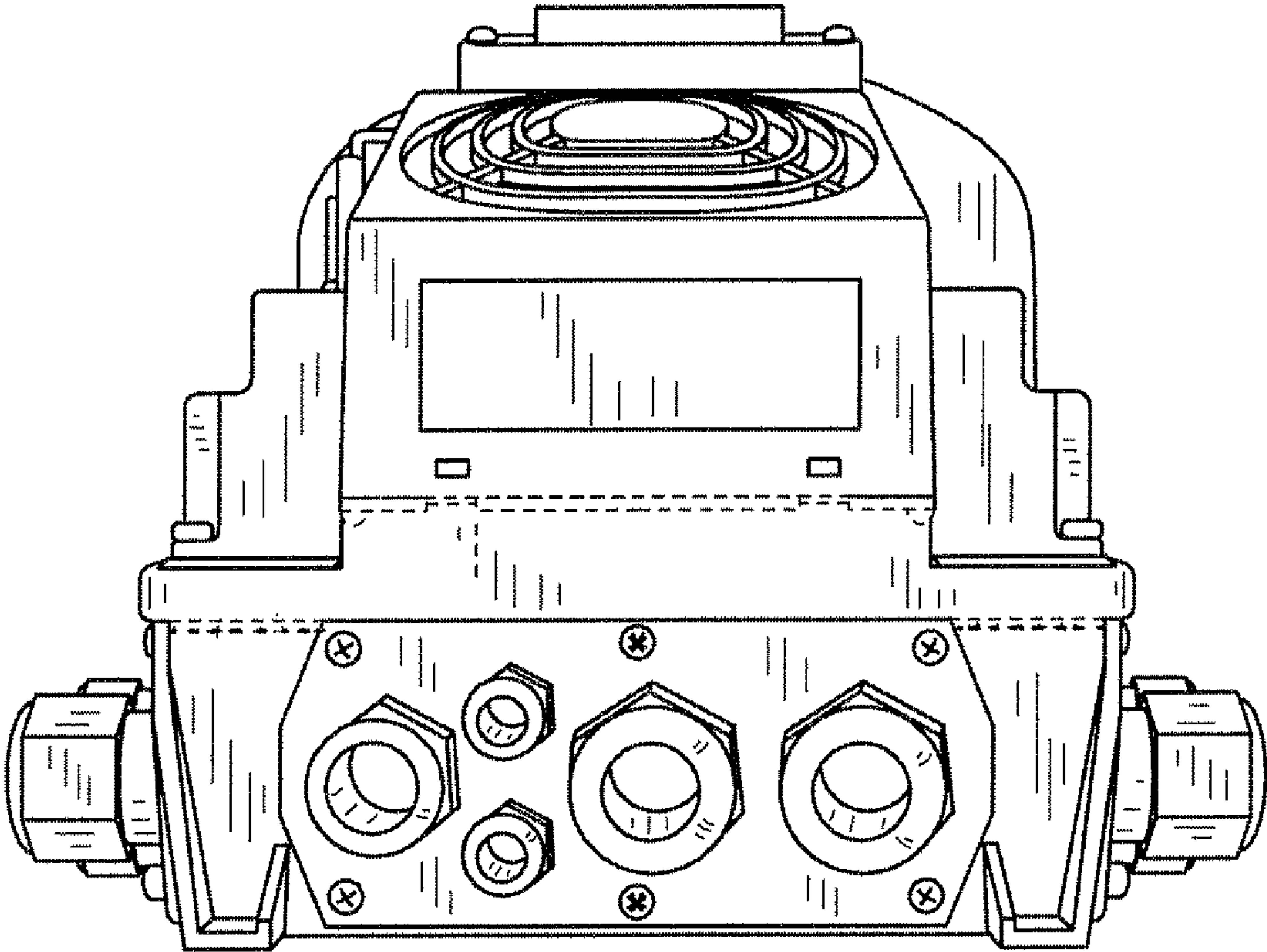


FIG.2

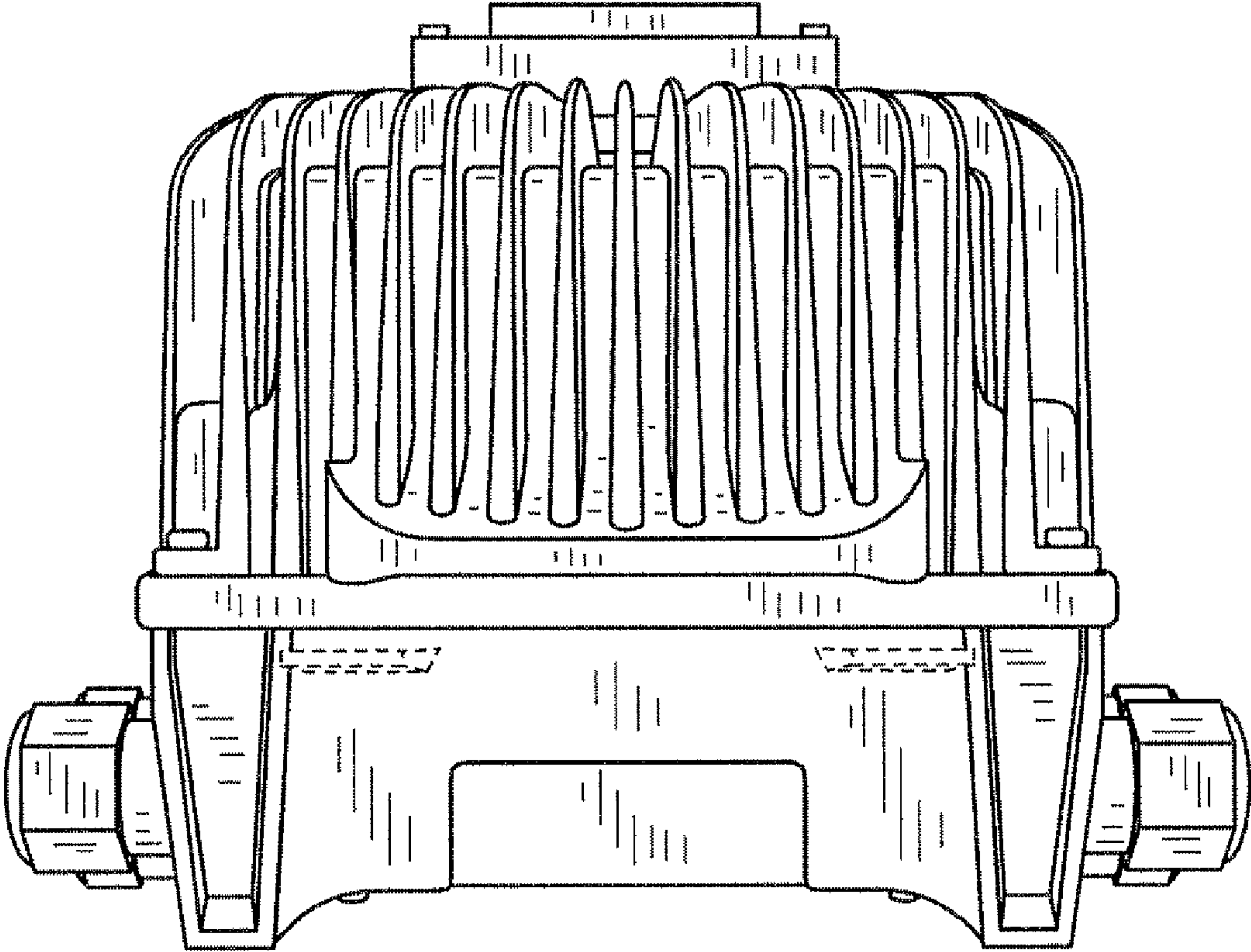


FIG.3

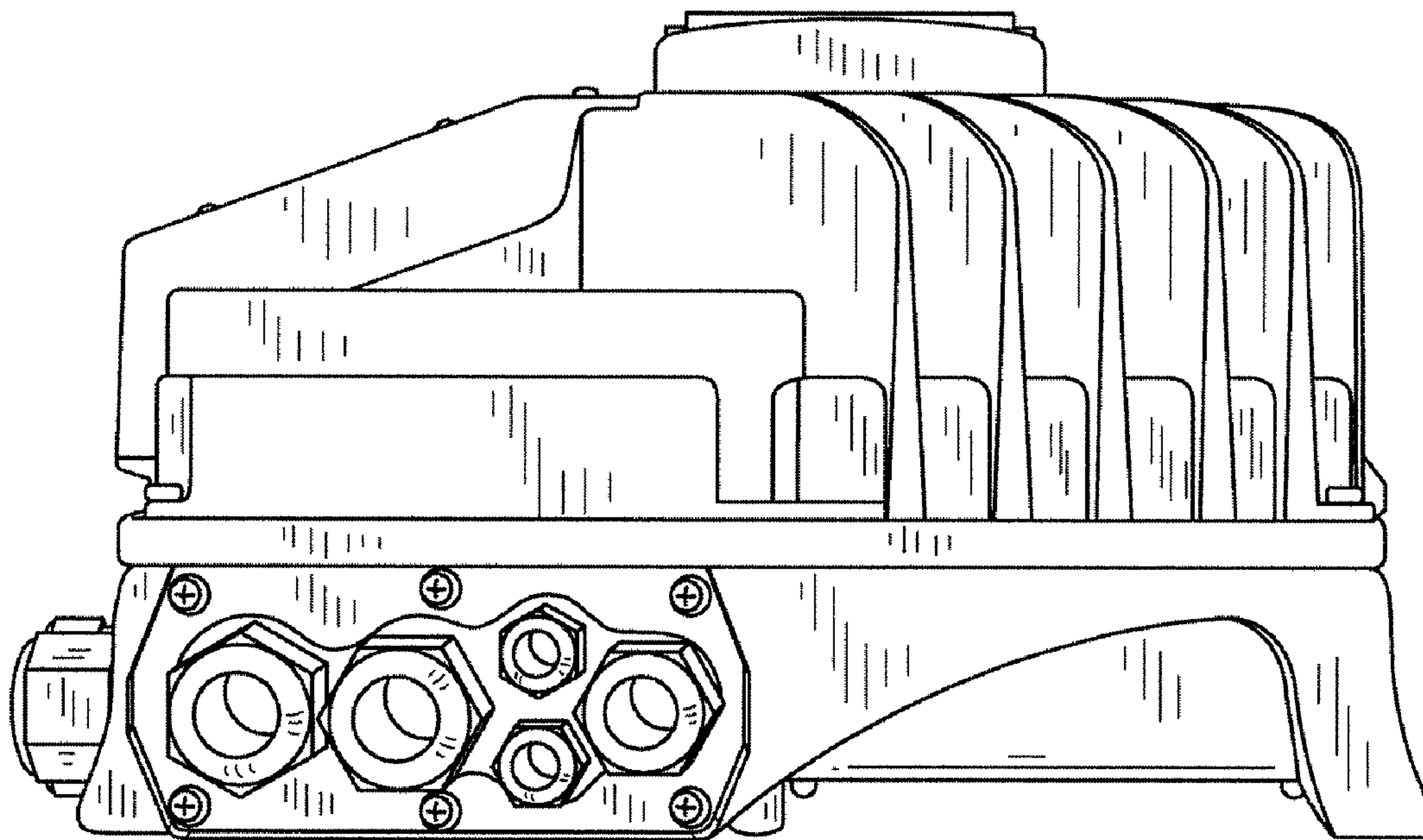


FIG.4

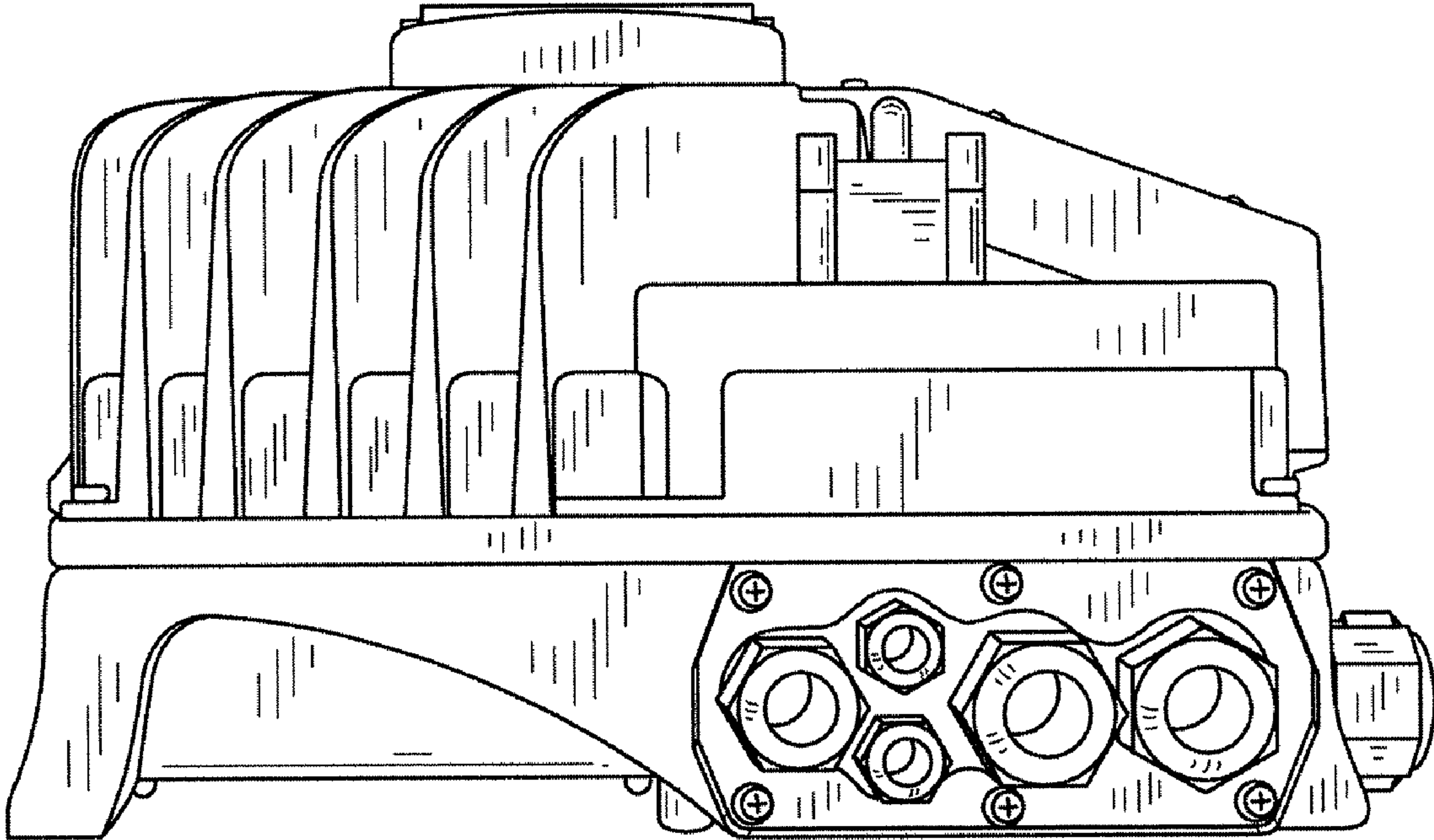


FIG.5

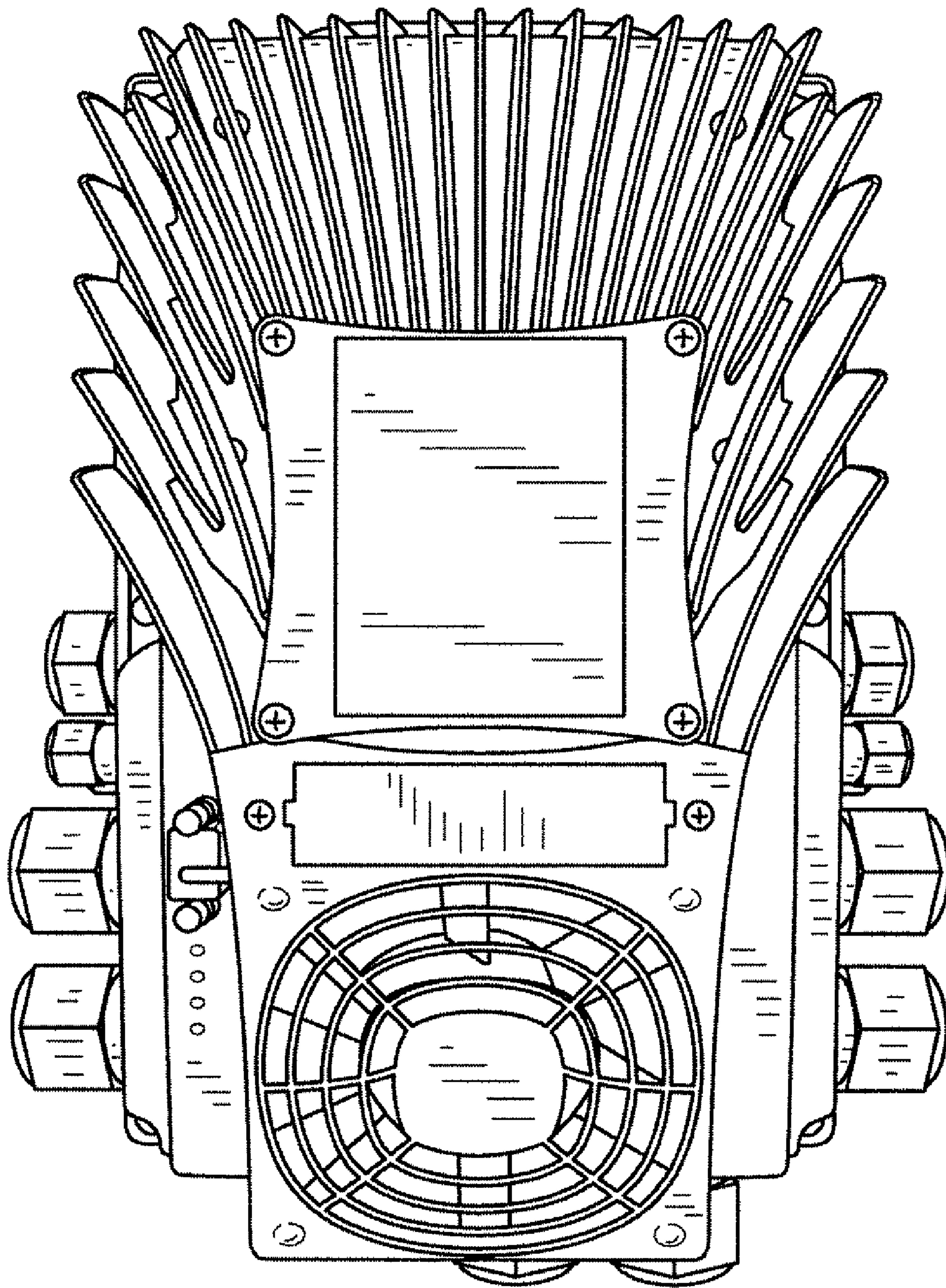


FIG.6

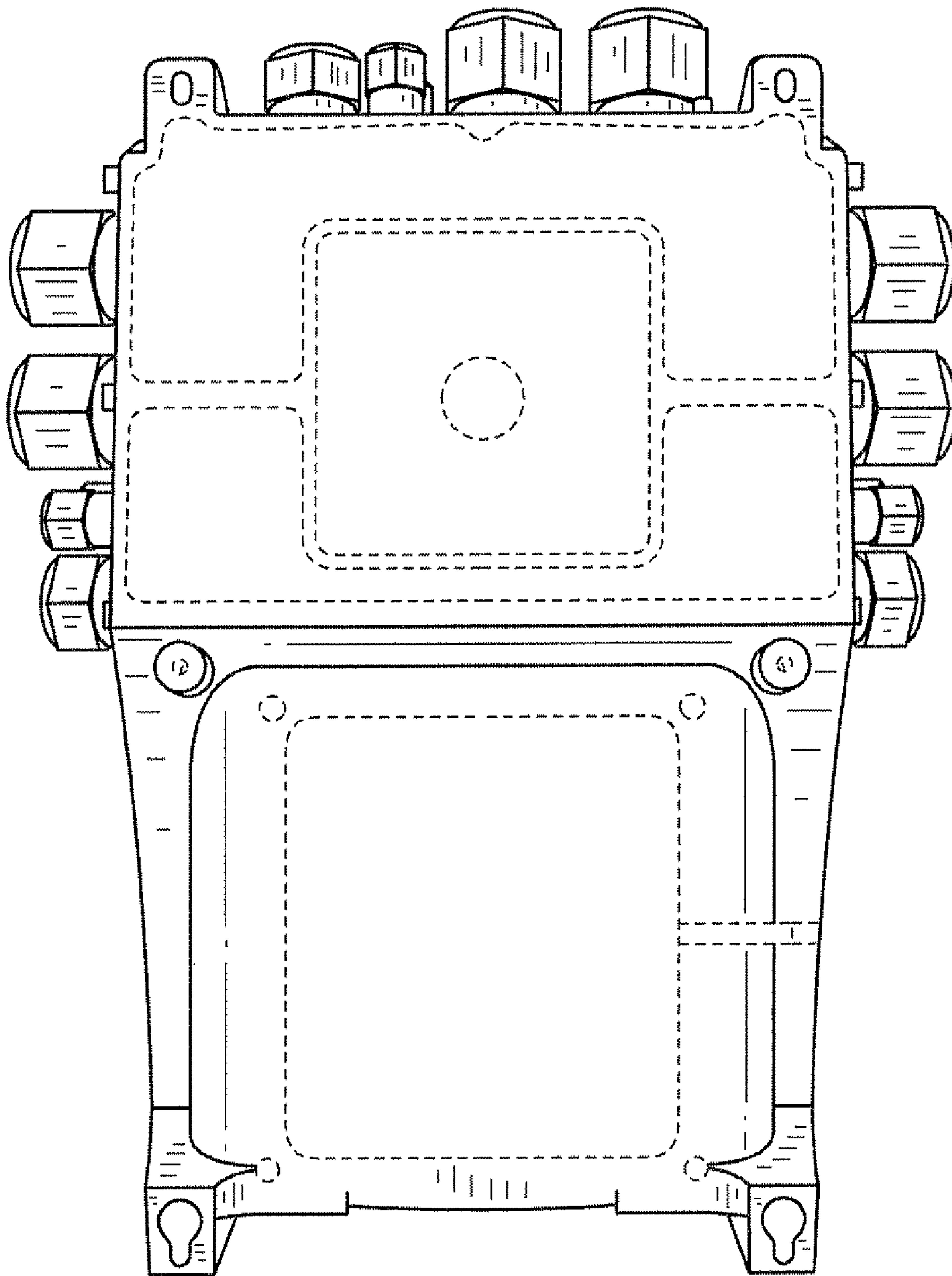


FIG.7