



US00D638792S

(12) **United States Design Patent**  
**Lu**

(10) **Patent No.:** **US D638,792 S**  
(45) **Date of Patent:** **\*\* May 31, 2011**

(54) **WALL CHARGER**

(75) Inventor: **Luke Lu**, City of Industry, CA (US)

(73) Assignee: **Dream Wireless, Inc.**, City of Industry, CA (US)

(\*\*) Term: **14 Years**

(21) Appl. No.: **29/379,240**

(22) Filed: **Nov. 16, 2010**

(51) **LOC (9) Cl.** ..... **13-02**

(52) **U.S. Cl.** ..... **D13/108**

(58) **Field of Classification Search** ..... D13/107–110,  
D13/118–119, 137.1, 138.1, 184, 199; 320/107–115  
See application file for complete search history.

(56) **References Cited**

U.S. PATENT DOCUMENTS

D425,480 S *	5/2000	Jokinen	.....	D13/107
D454,537 S *	3/2002	O'Connor et al.	.....	D13/110
D481,674 S *	11/2003	Sade et al.	.....	D13/108
D486,125 S *	2/2004	Lim	.....	D13/108
D486,788 S *	2/2004	Riede	.....	D13/108
D550,153 S *	9/2007	Lee	.....	D13/108
D554,585 S *	11/2007	Nazar	.....	D13/110
D573,946 S *	7/2008	Ledbetter et al.	.....	D13/110
D611,409 S *	3/2010	Green et al.	.....	D13/110

D628,151 S *	11/2010	Wegener et al.	.....	D13/108
2009/0237031 A1 *	9/2009	McSweyn et al.	.....	320/114
2010/0117597 A1 *	5/2010	Wang	.....	320/111

\* cited by examiner

*Primary Examiner* — Rosemary K Tarcza

(74) *Attorney, Agent, or Firm* — Jen-Feng Lee

(57) **CLAIM**

I claim the ornamental design for a wall charger, as shown and described.

**DESCRIPTION**

FIG. 1 shows the perspective view of a wall charger showing my new design,

FIG. 2 shows the top plan view thereof,

FIG. 3 shows the left side view thereof, with prongs in the un-retracted position, with right side view being the mirror image thereof,

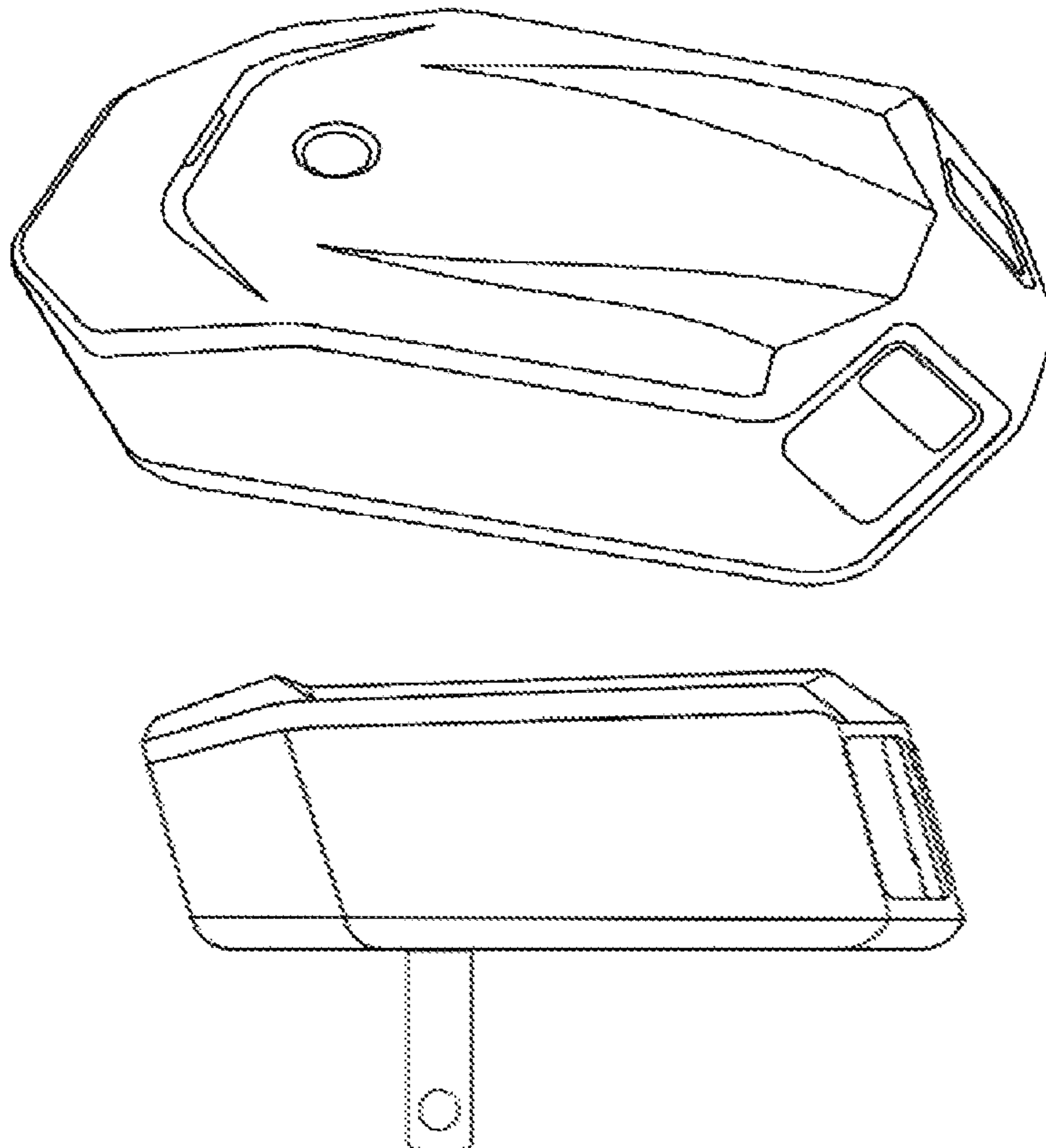
FIG. 4 shows the bottom view thereof, with prongs in the retracted position,

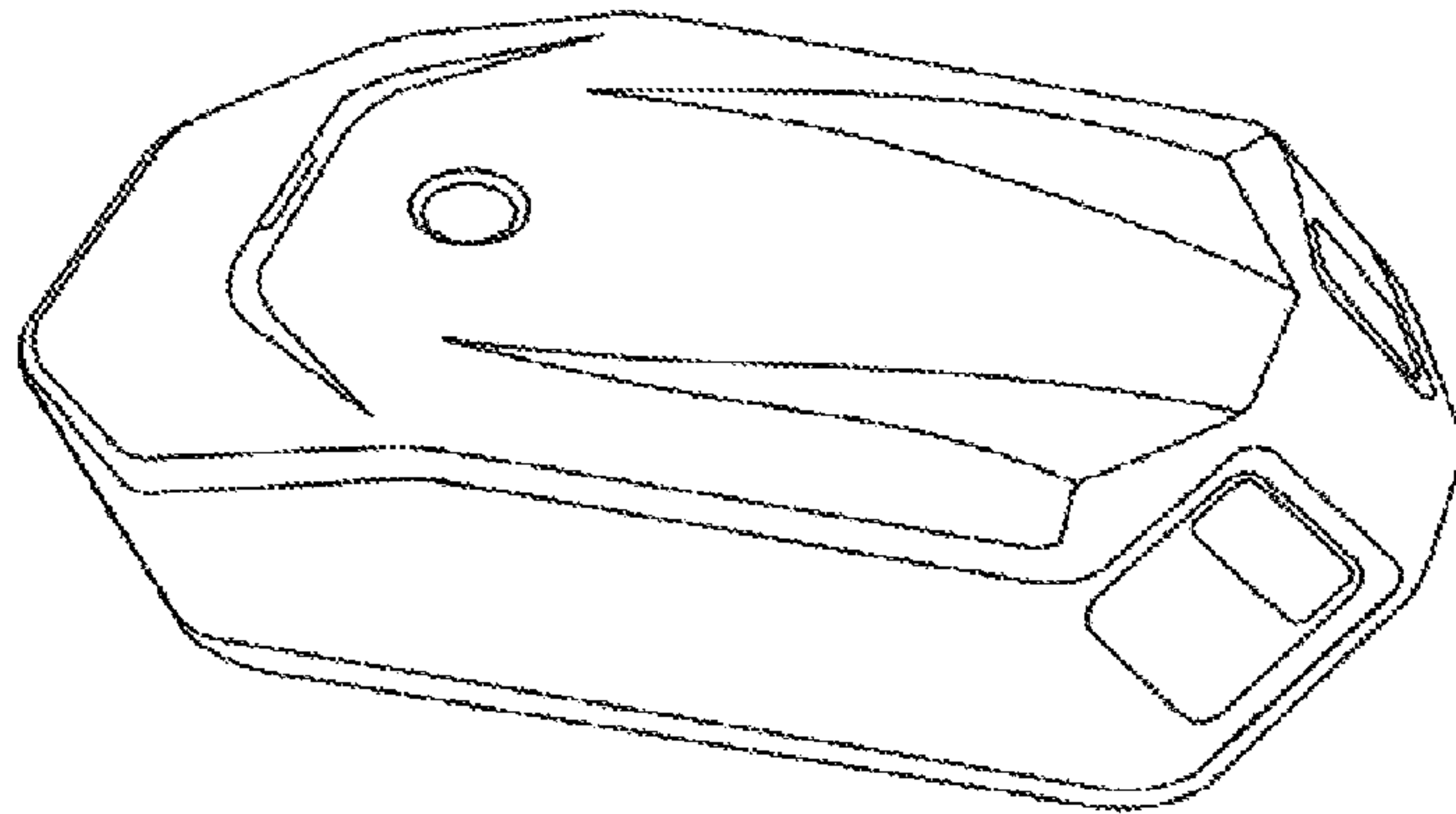
FIG. 5 shows the rear view thereof, with prongs in the un-retracted position; and,

FIG. 6 shows the front view thereof, with prongs in the un-retracted position.

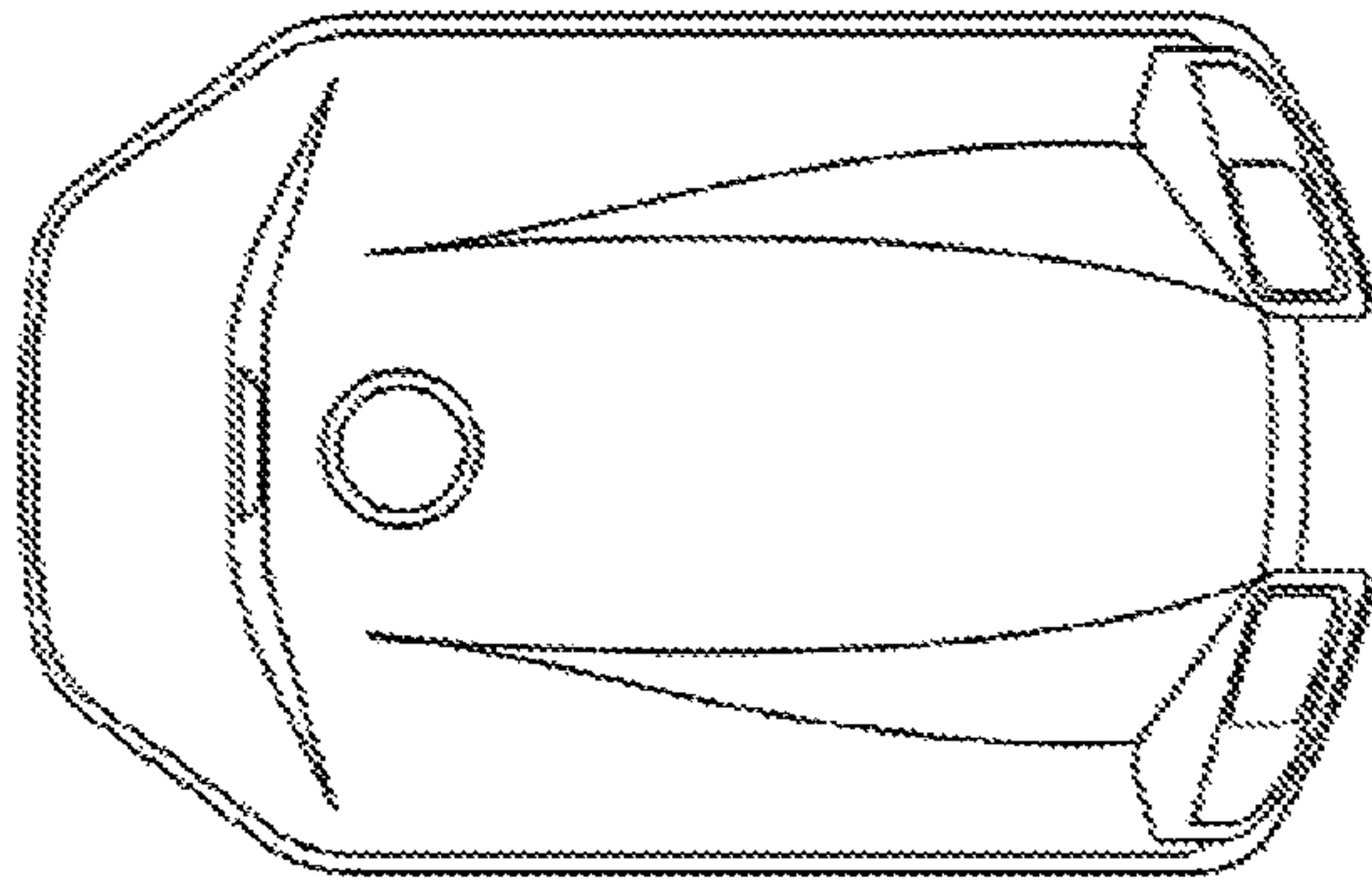
The broken lines shown in the drawings are included for the purpose of illustrating unclaimed portions of the wall charger and form no part of the claimed design.

**1 Claim, 3 Drawing Sheets**

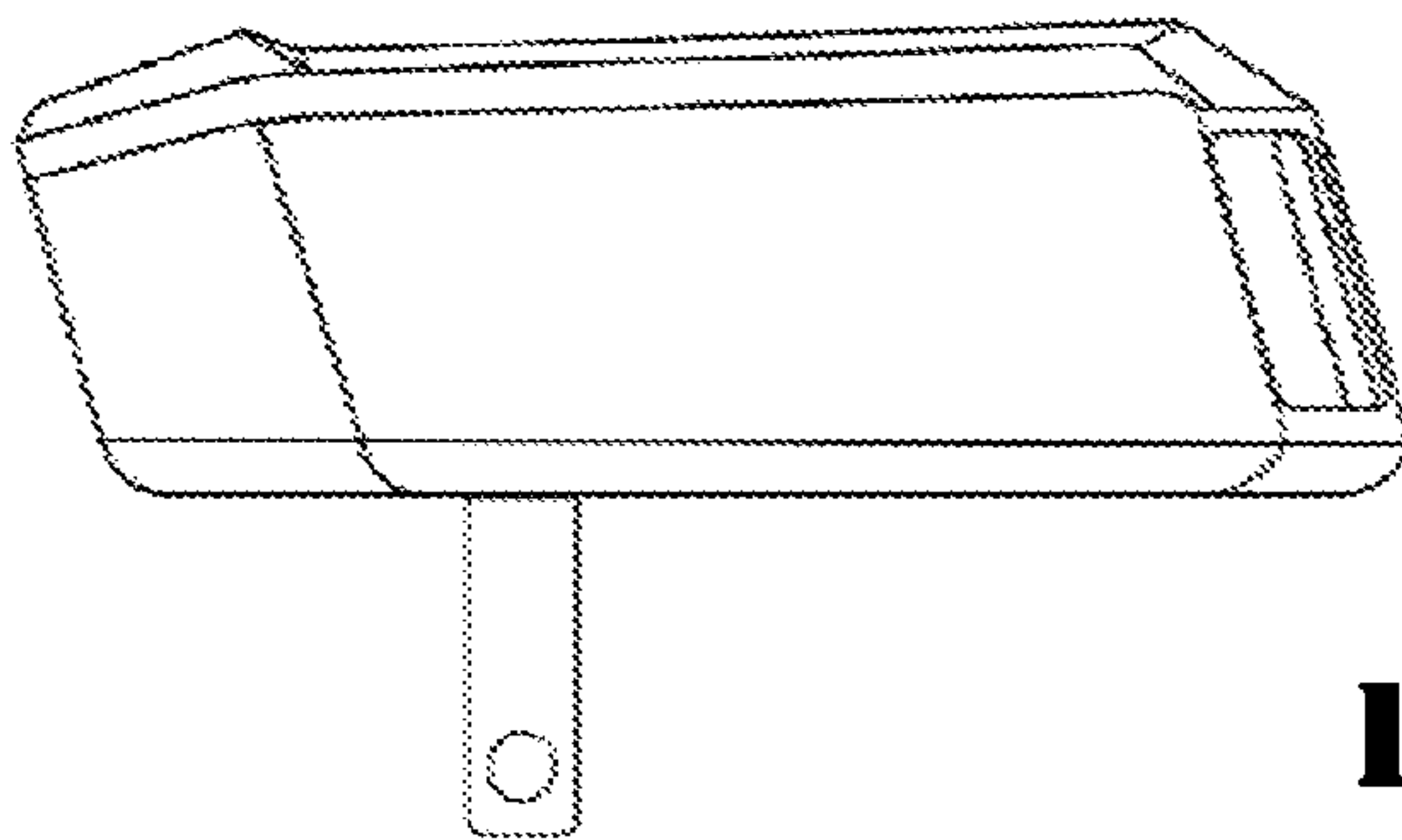




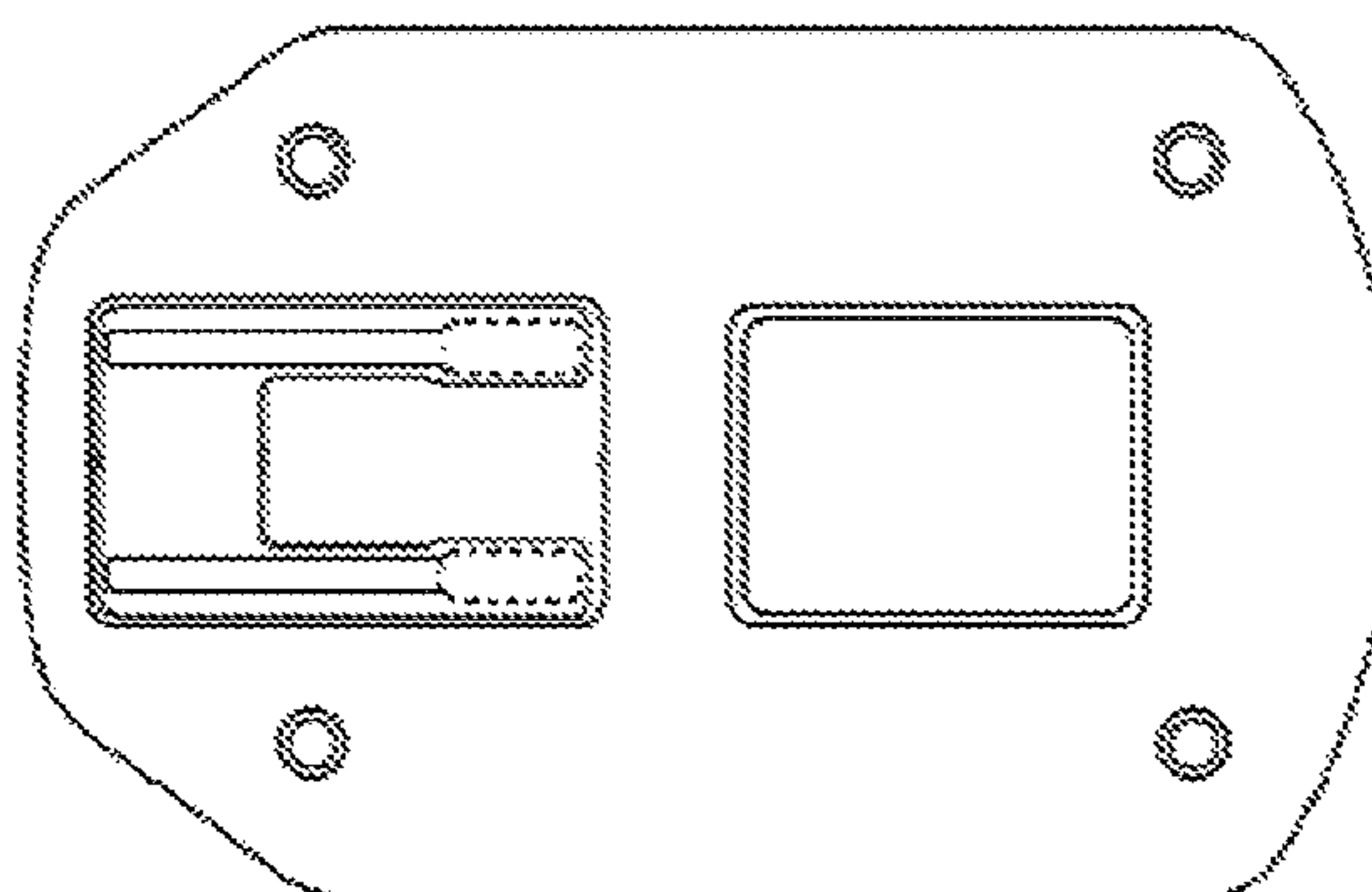
**FIGURE 1**



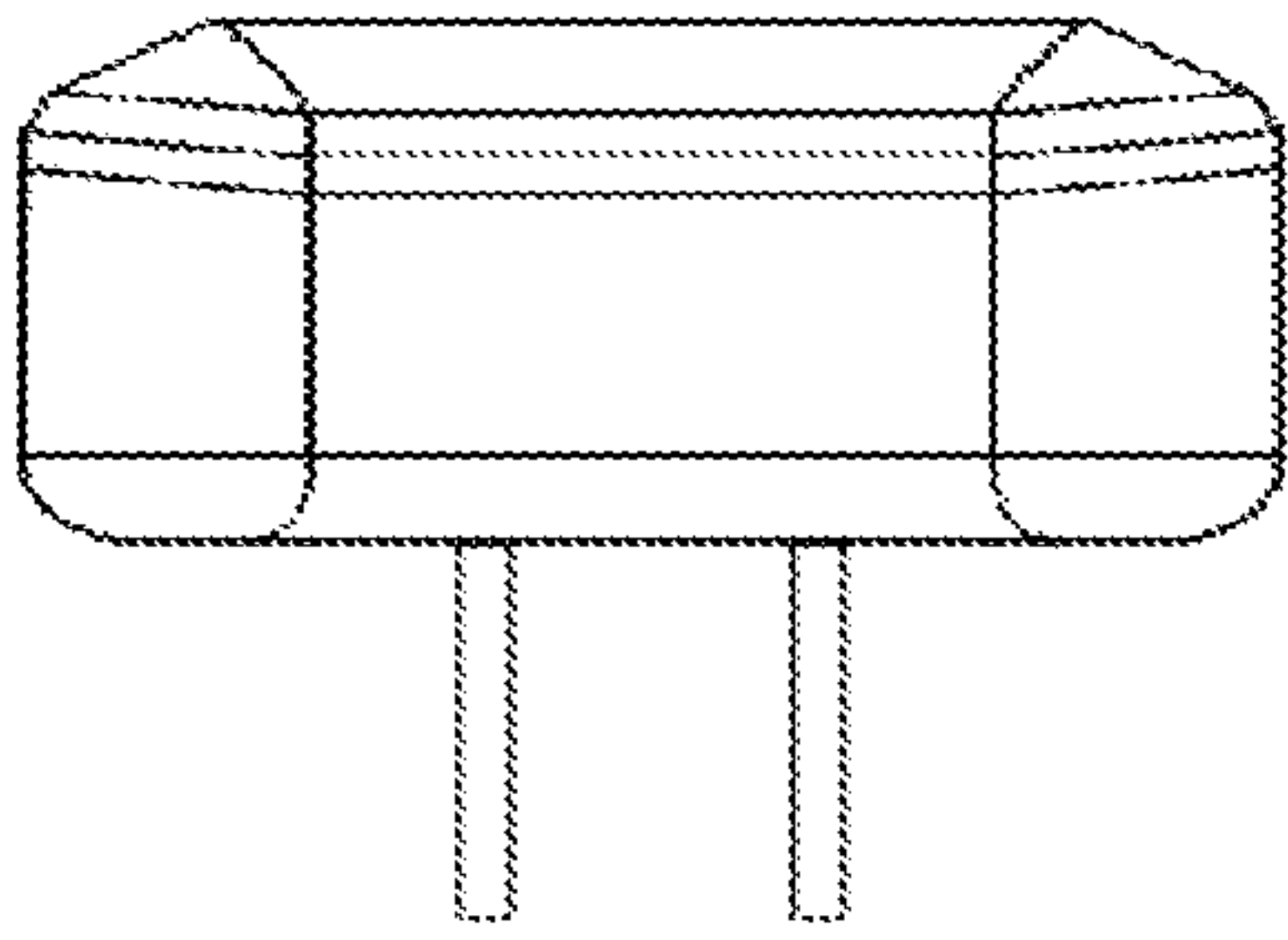
**FIGURE 2**



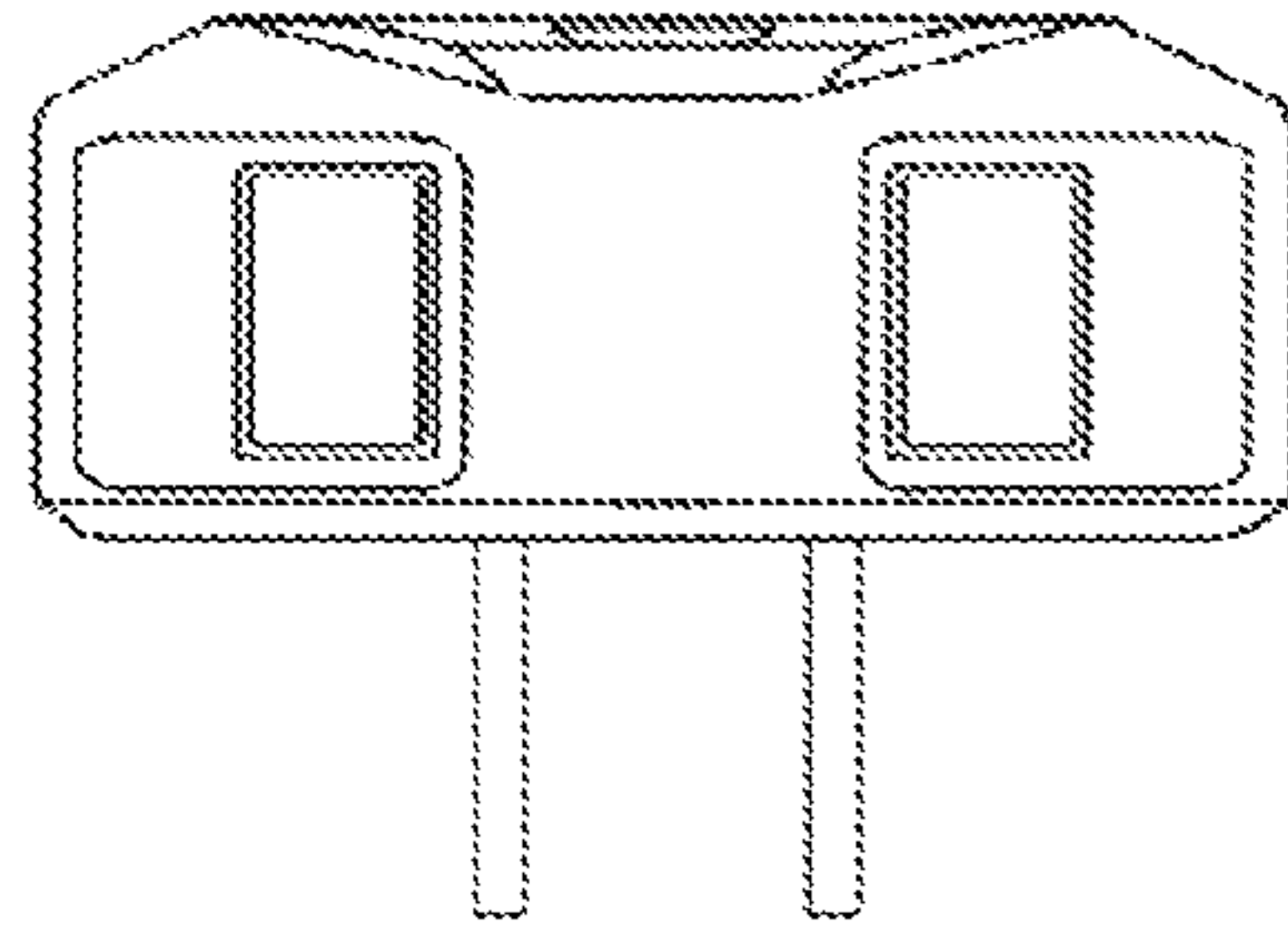
**FIGURE 3**



**FIGURE 4**



**FIGURE 5**



**FIGURE 6**