



US00D638790S

(12) **United States Design Patent**
Daniel

(10) **Patent No.:** **US D638,790 S**
(45) **Date of Patent:** **** May 31, 2011**

(54) **MULTI-CHARGER UNIT FOR A PLURALITY OF COMMUNICATIONS DEVICES**

Primary Examiner — Rosemary K Tarcza
(74) *Attorney, Agent, or Firm* — Carol N. Green, Esq.

(75) Inventor: **Isaac S. Daniel**, Miramar, FL (US)

(57) **CLAIM**

The ornamental design for a multi-charger unit for a plurality of communications devices, as shown and described.

(73) Assignee: **F3M3 Companies, Inc.** DE (US)

(**) Term: **14 Years**

DESCRIPTION

(21) Appl. No.: **29/378,020**

FIG. 1 is a top front left perspective view of a multi-charger unit for a plurality of communications devices.

(22) Filed: **Oct. 28, 2010**

FIG. 2 is top front right perspective view of a multi-charger unit for a plurality of communications devices, with a single communications device drawn in phantom lines.

(51) **LOC (9) Cl.** **13-02**

(52) **U.S. Cl.** **D13/108**

(58) **Field of Classification Search** D13/107–110,
D13/118–119, 184, 199; D14/251, 253,
D14/432, 434; 320/107–115

See application file for complete search history.

FIG. 3 a top rear left perspective view of a multi-charger unit for a plurality of communications devices.

FIG. 4 bottom front right perspective view of a multi-charger unit for a plurality of communications devices.

(56) **References Cited**

U.S. PATENT DOCUMENTS

D278,426 S *	4/1985	Lanci et al.	D13/107
D322,060 S *	12/1991	Iino	D13/107
D336,631 S *	6/1993	Ivester	D13/108
D395,281 S *	6/1998	Waldner	D13/108
D397,084 S *	8/1998	Siddoway	D13/107
D476,659 S *	7/2003	Ying et al.	D14/434
D526,995 S *	8/2006	Claxton et al.	D14/253
D530,667 S *	10/2006	Viduya et al.	D13/107
D551,163 S *	9/2007	Hamasaki	D13/107
D601,953 S *	10/2009	Asai	D13/107
D609,637 S *	2/2010	Chu et al.	D13/108
D629,355 S *	12/2010	Bodley et al.	D13/108
D631,435 S *	1/2011	Cacioppo et al.	D13/107

* cited by examiner

FIG. 5 is a top plan view of a multi-charger unit for a plurality of communications devices.

FIG. 6 is a bottom plan view of a multi-charger unit for a plurality of communications devices.

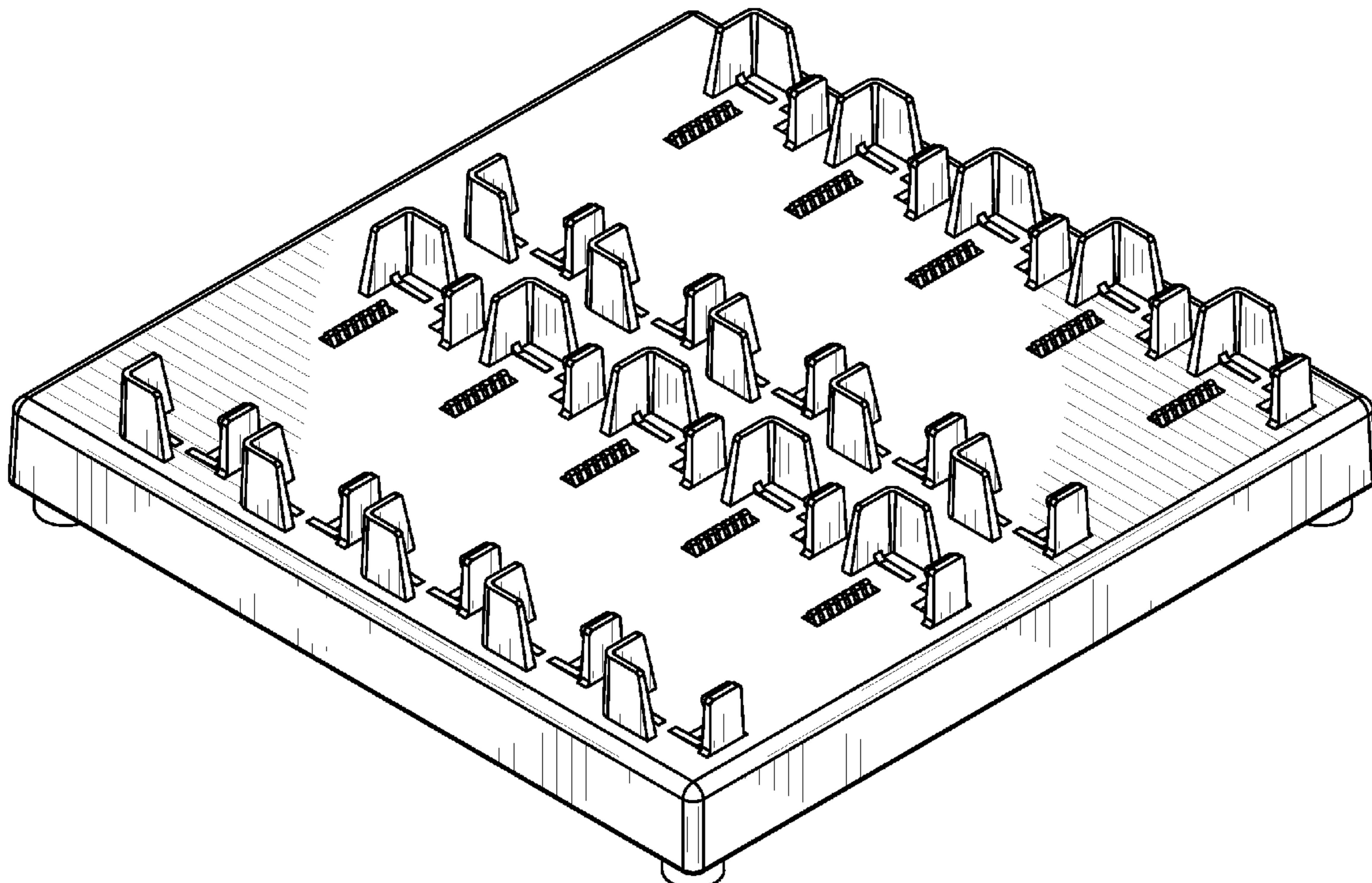
FIG. 7 is a left side view of a multi-charger unit for a plurality of communications devices.

FIG. 8 is a front side view of a multi-charger unit for a plurality of communications devices; and,

FIG. 9 is a rear side view of a multi-charger unit for a plurality of communications devices.

The phantom lines in FIG. 2 showing a single communications unit in the multi-charger unit is included for purposes of illustrating the multi-charger in a position of use and forms no part of the claimed design.

1 Claim, 7 Drawing Sheets



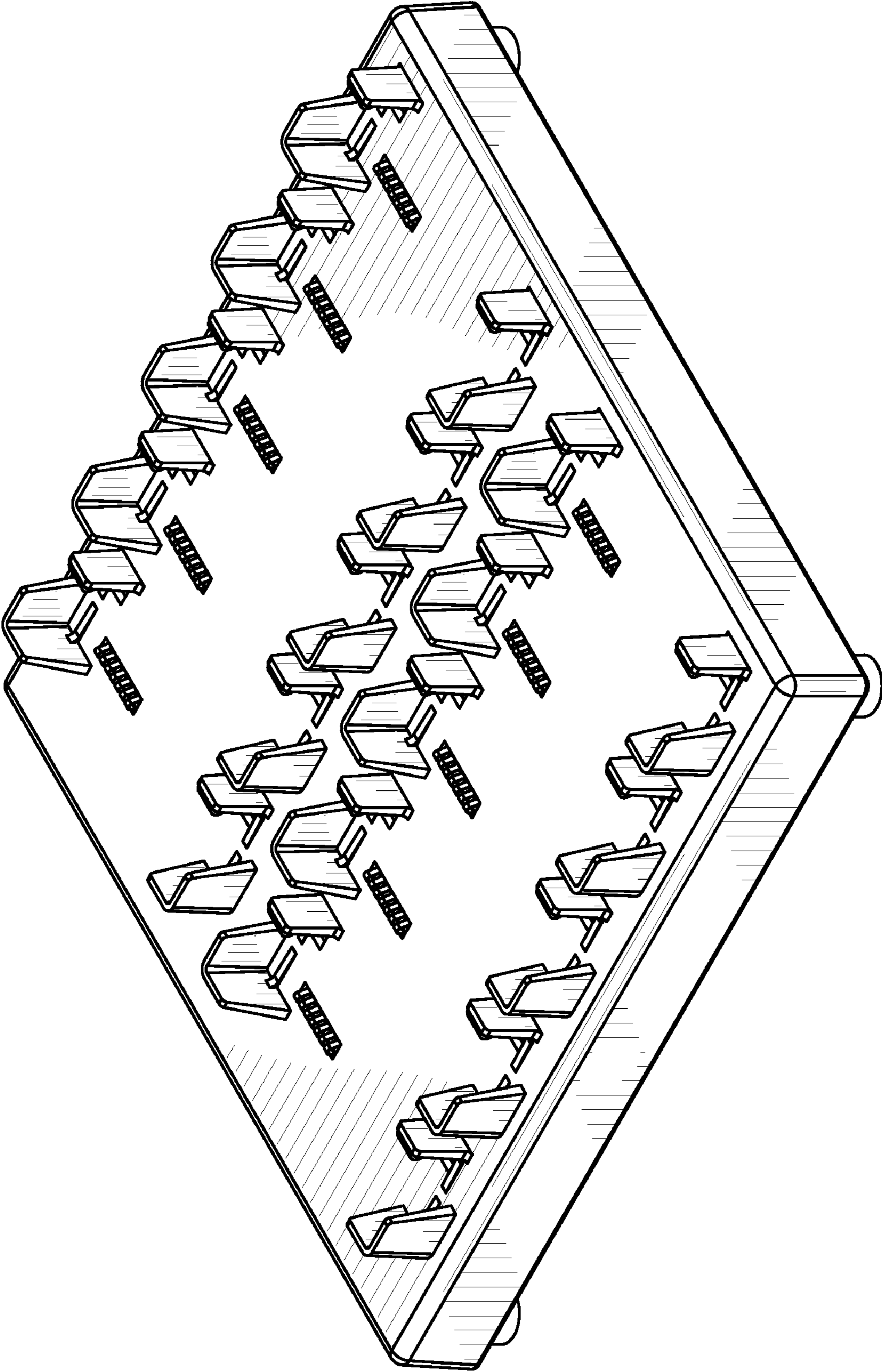


FIG. 1

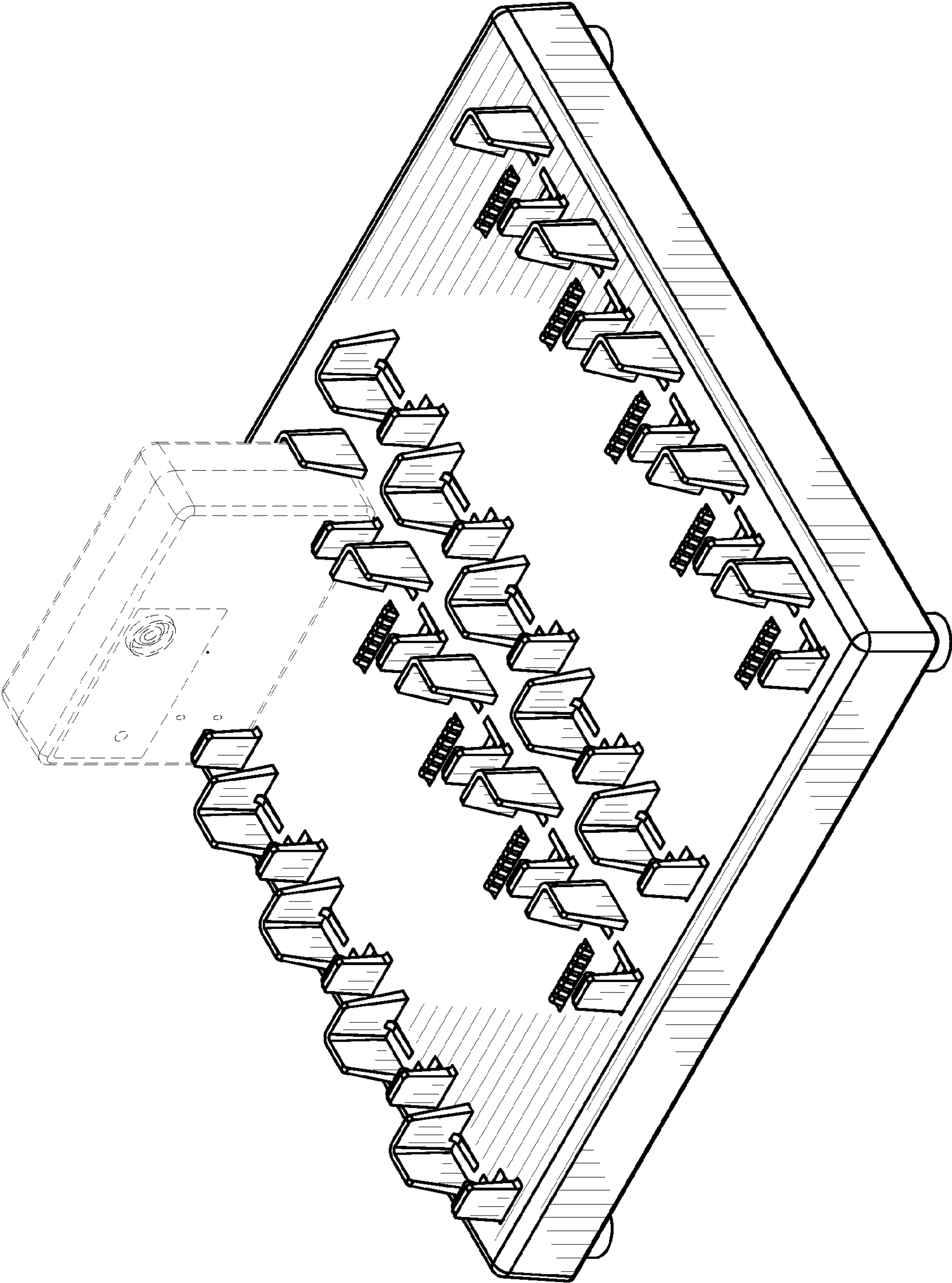


FIG. 2

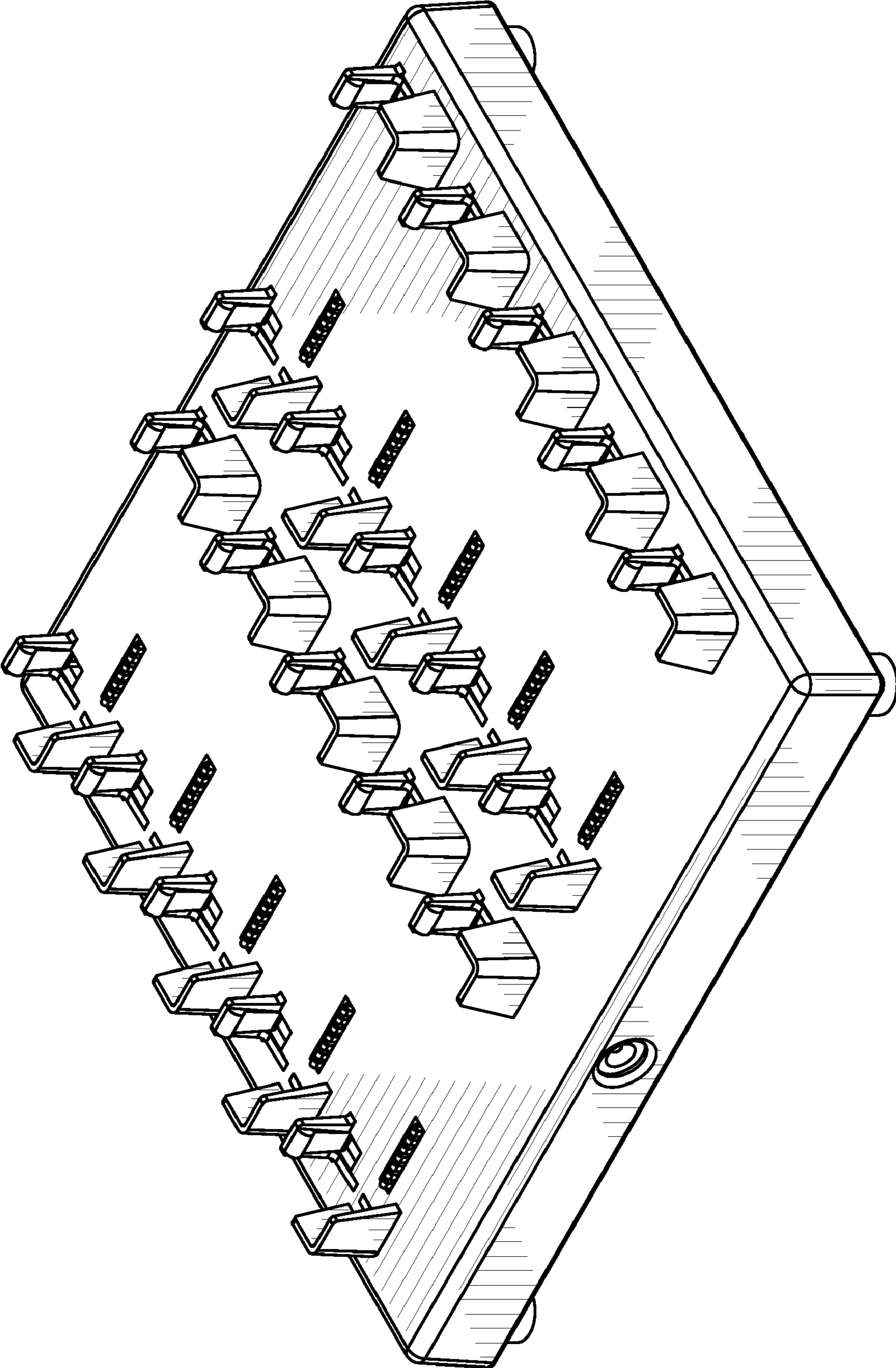


FIG. 3

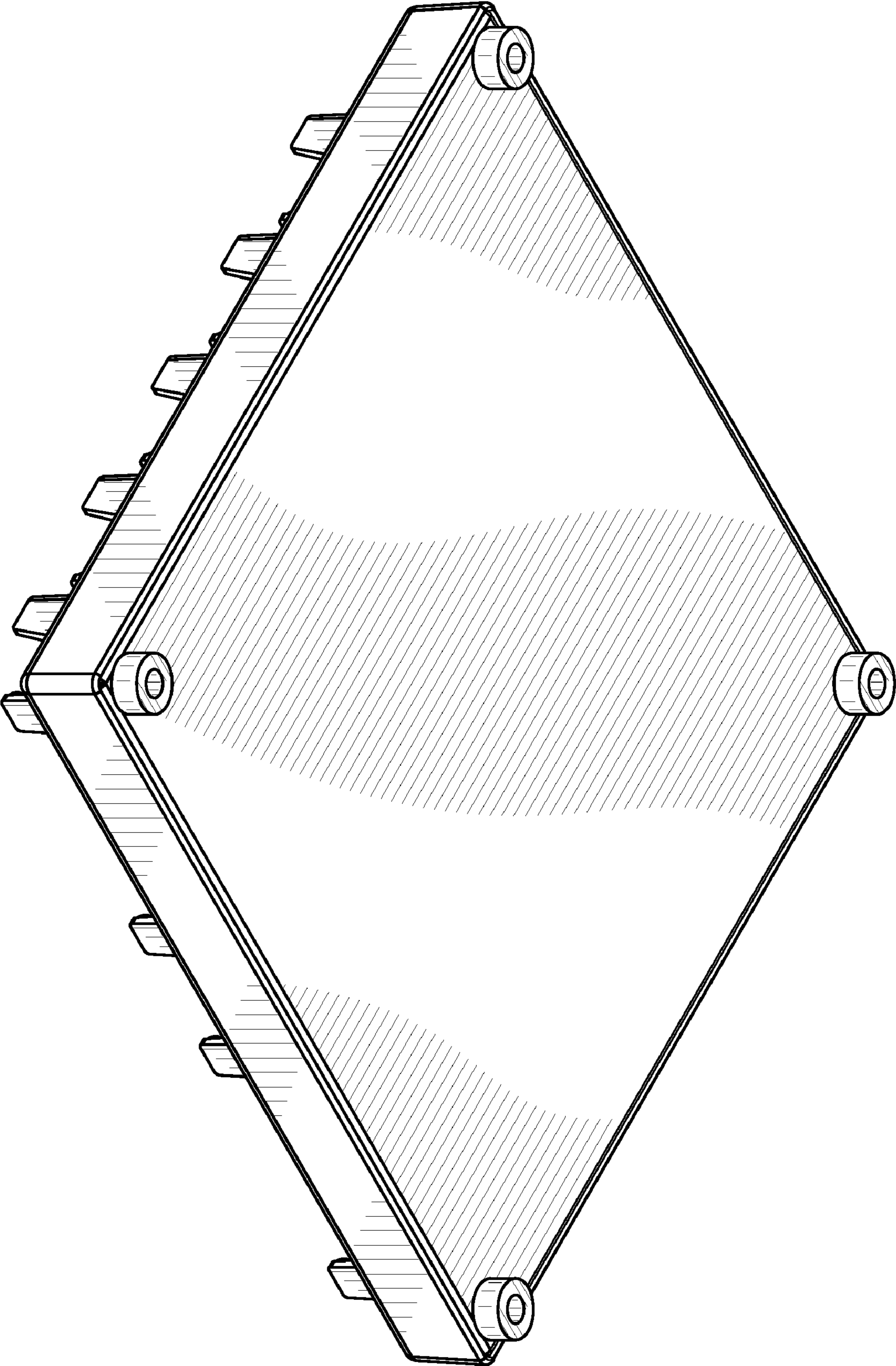


FIG. 4

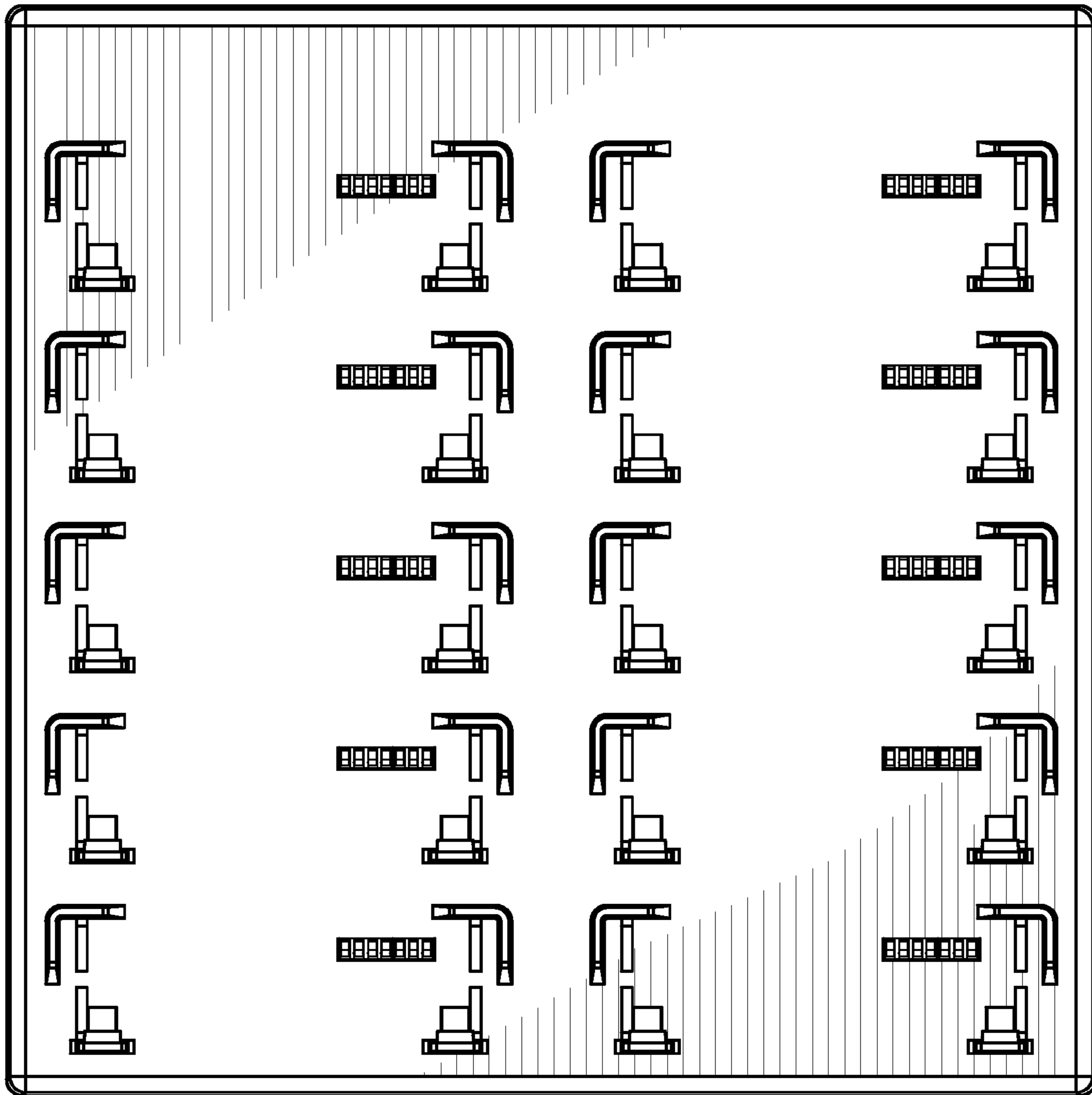


FIG. 5

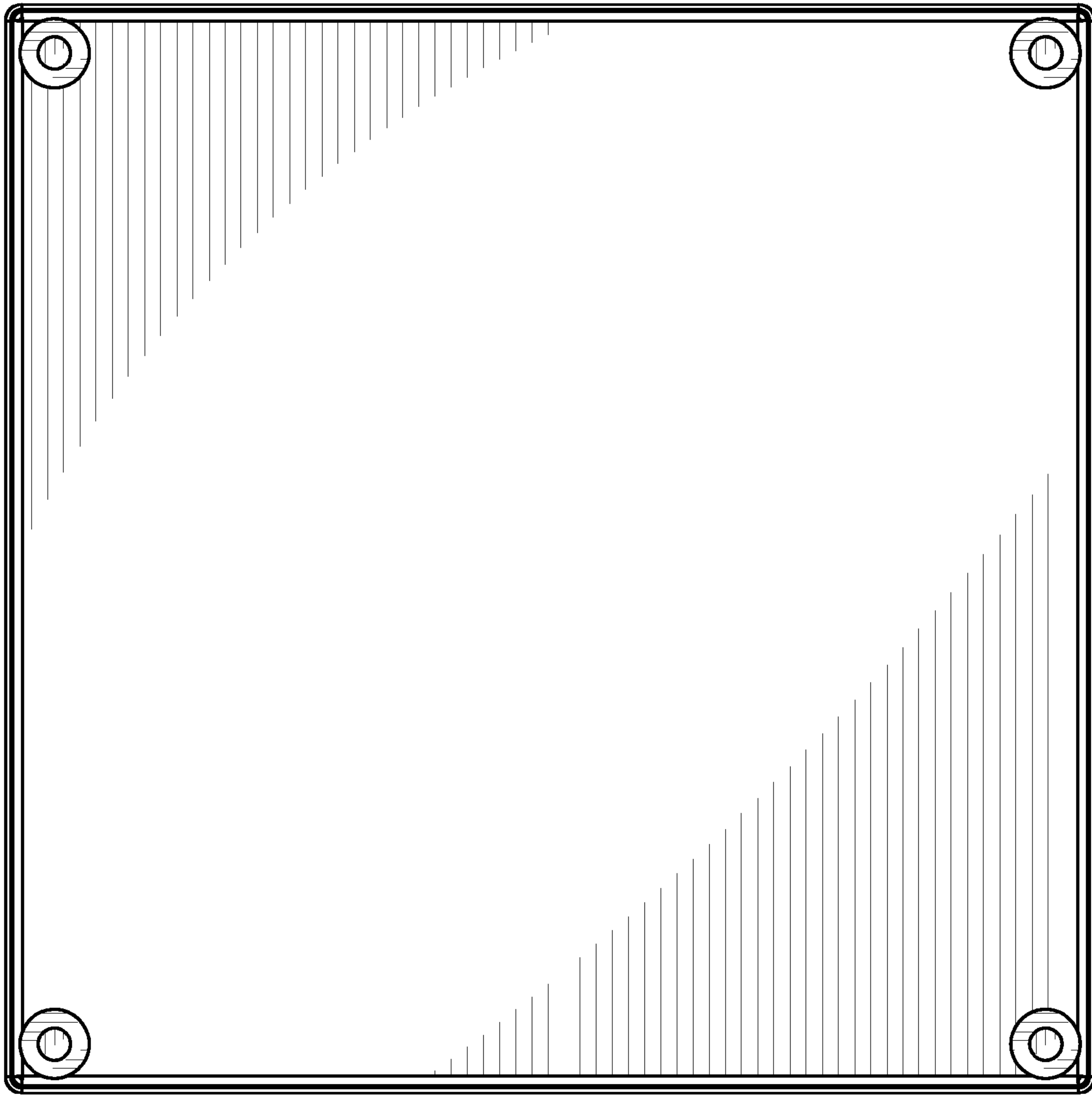


FIG. 6

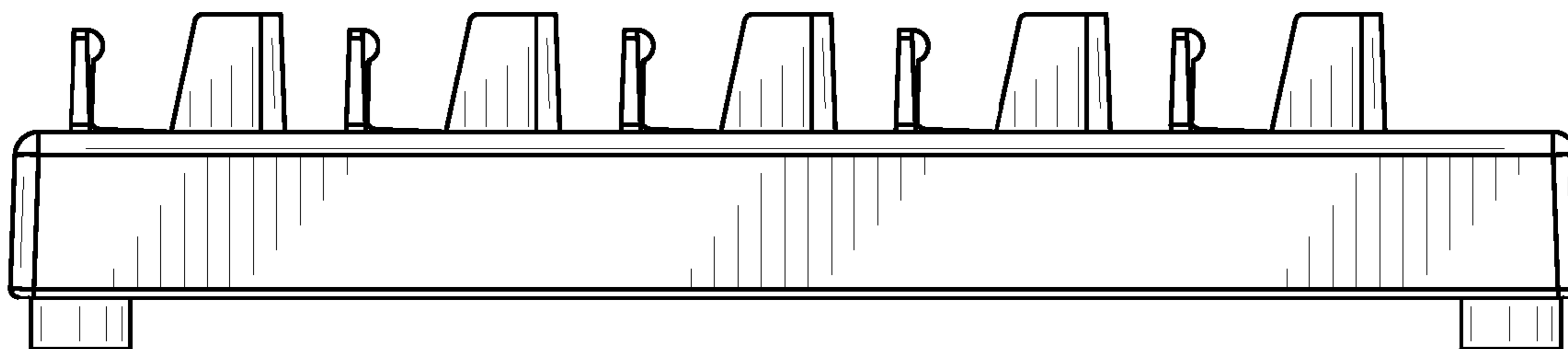


FIG. 7

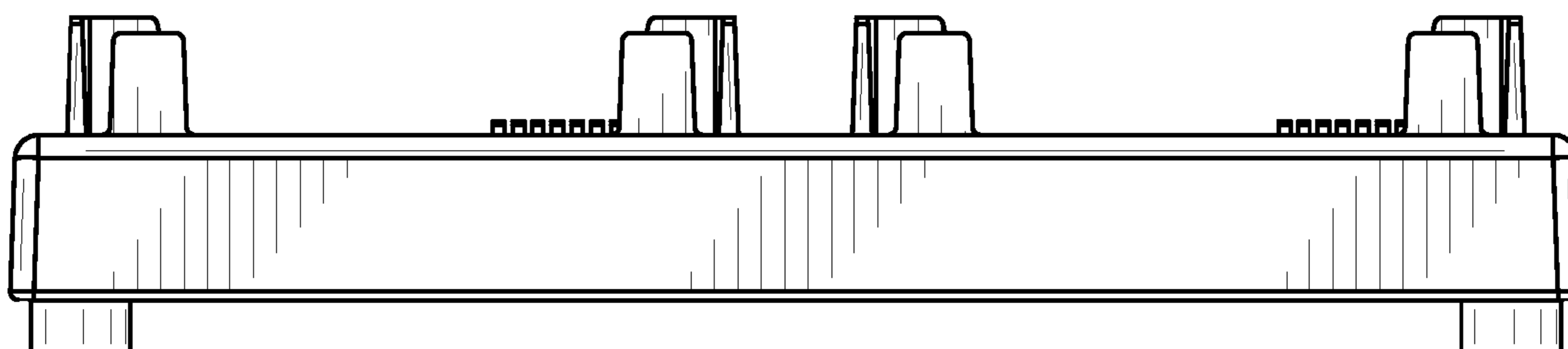


FIG. 8

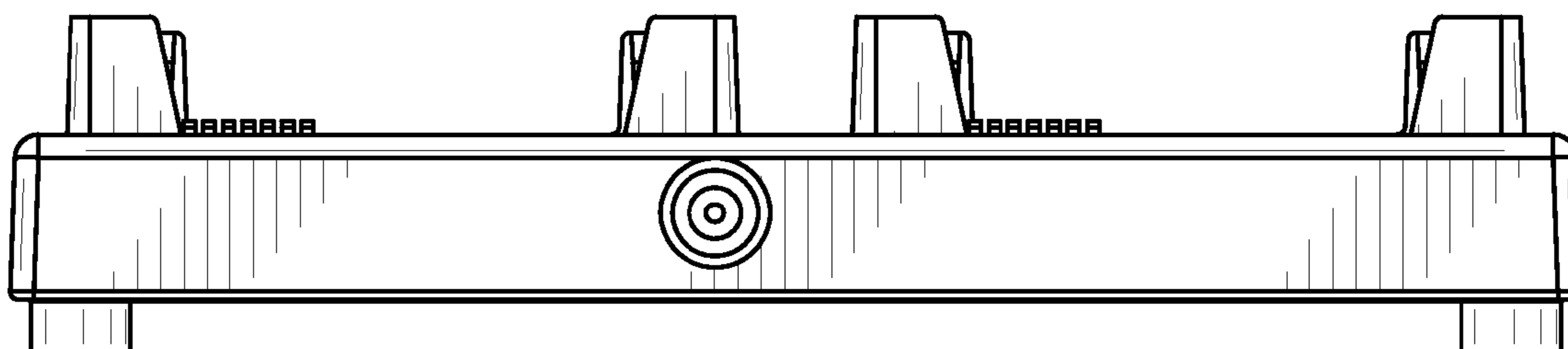


FIG. 9