



US00D638788S

(12) **United States Design Patent**
Daniel

(10) **Patent No.:** **US D638,788 S**

(45) **Date of Patent:** **** May 31, 2011**

(54) **SINGLE CHARGER UNIT FOR A COMMUNICATIONS DEVICE**

(75) Inventor: **Isaac S. Daniel**, Miramar, FL (US)

(73) Assignee: **F3M3 Companies, Inc.** DE (US)

(**) Term: **14 Years**

(21) Appl. No.: **29/377,732**

(22) Filed: **Oct. 25, 2010**

(51) **LOC (9) Cl.** **13-02**

(52) **U.S. Cl.** **D13/108**

(58) **Field of Classification Search** D13/107-110,
D13/118-119, 184, 199; D14/251, 253,
D14/432, 434; 320/107-115

See application file for complete search history.

(56) **References Cited**

U.S. PATENT DOCUMENTS

D351,133 S *	10/1994	Jungels-Butler et al.	D13/108
D396,705 S *	8/1998	Iino	D14/434
D413,312 S *	8/1999	Suzuki	D14/434
D471,906 S *	3/2003	Salazar et al.	D14/253
D477,604 S *	7/2003	Lin	D14/434
D502,913 S *	3/2005	Fukami et al.	D13/108
D540,327 S *	4/2007	Wong et al.	D14/434
D552,185 S *	10/2007	Hussaini et al.	D21/333
D552,611 S *	10/2007	Hagiwara et al.	D14/434
D574,326 S *	8/2008	Lim	D13/118
D575,350 S *	8/2008	Ashida et al.	D21/333
D618,689 S *	6/2010	Shimizu	D14/434

D623,132 S * 9/2010 Yano D13/108

* cited by examiner

Primary Examiner — Rosemary K Tarcza

(74) *Attorney, Agent, or Firm* — Carol N. Green, Esq.

(57) **CLAIM**

The ornamental design for a single charger unit for a communications device, as shown and described.

DESCRIPTION

FIG. 1 is a top front left perspective view of a single charger unit for a communications device.

FIG. 2 is a bottom front right perspective view of a single charger unit for a communications device.

FIG. 3 is a top plan view of a single charger unit for a communications device.

FIG. 4 is a bottom plan view of a single charger unit for a communications device.

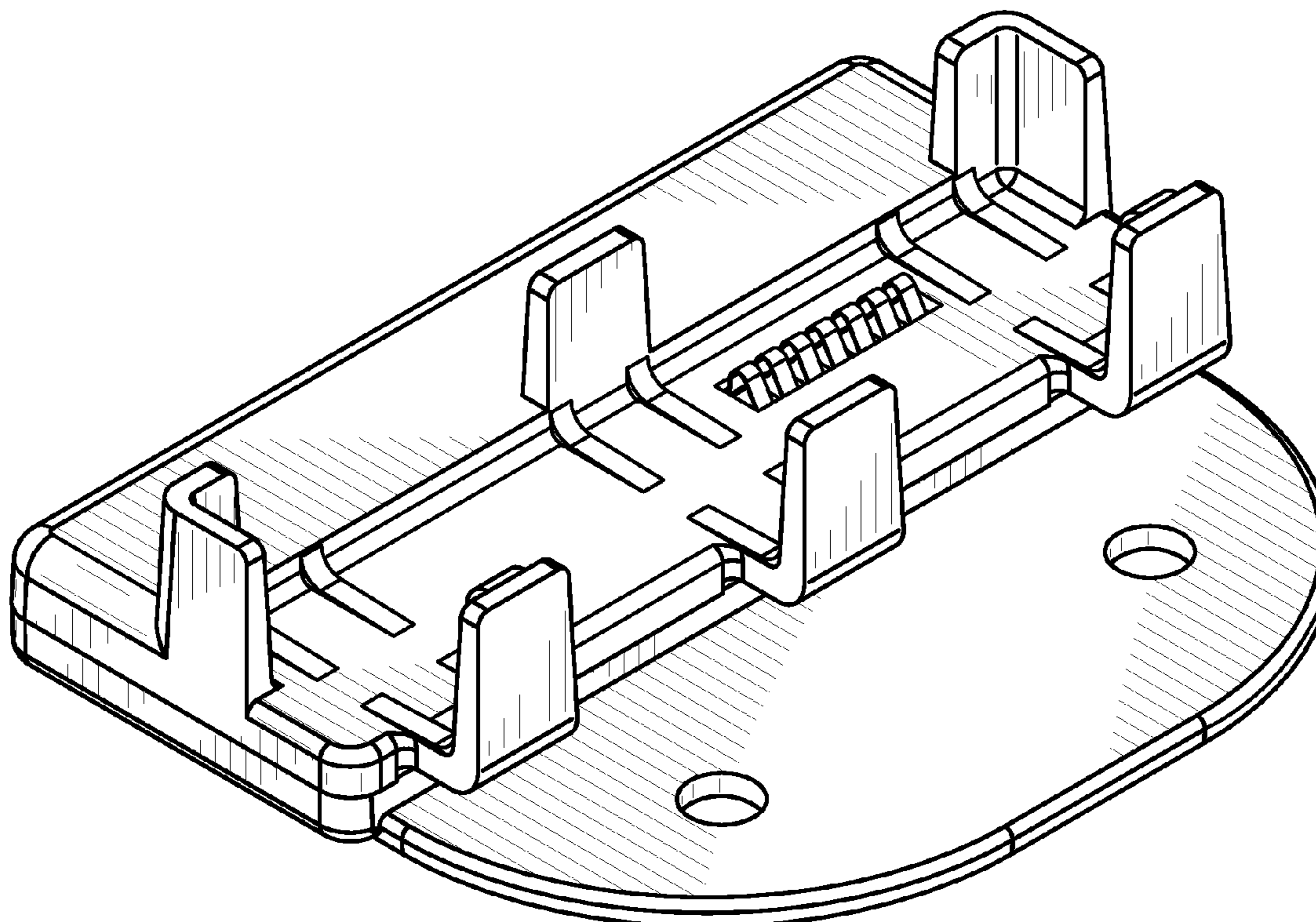
FIG. 5 is a front elevation view of a single charger unit for a communication device.

FIG. 6 is a right side view of a single charger unit for a communications device; and,

FIG. 7 is a left side view of a single charger unit for a communications device.

The broken lines shown in the drawings are included for the purpose of illustrating unclaimed portions of the single charger unit for a communication device and form no part of the claimed design.

1 Claim, 5 Drawing Sheets



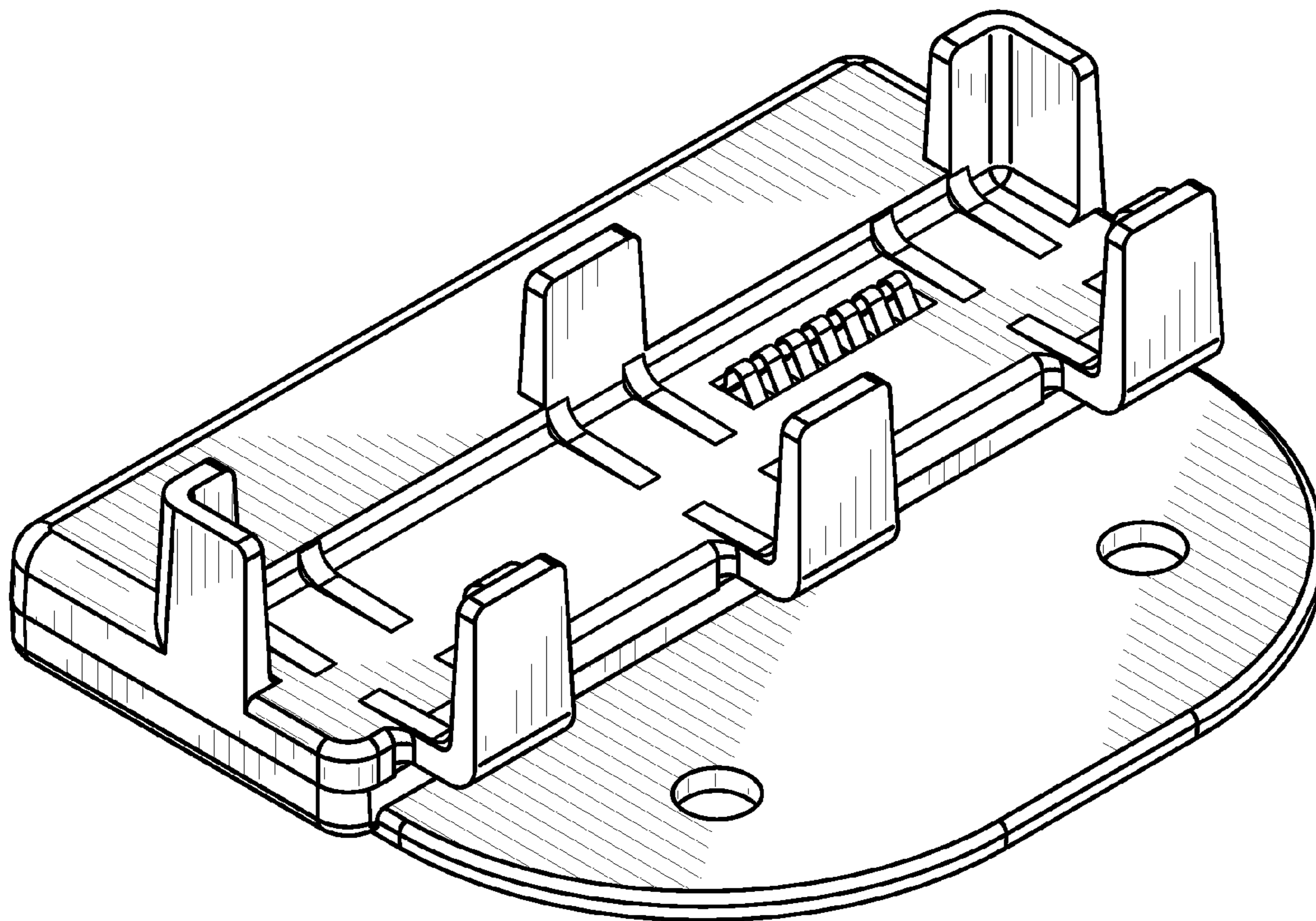


FIG. 1

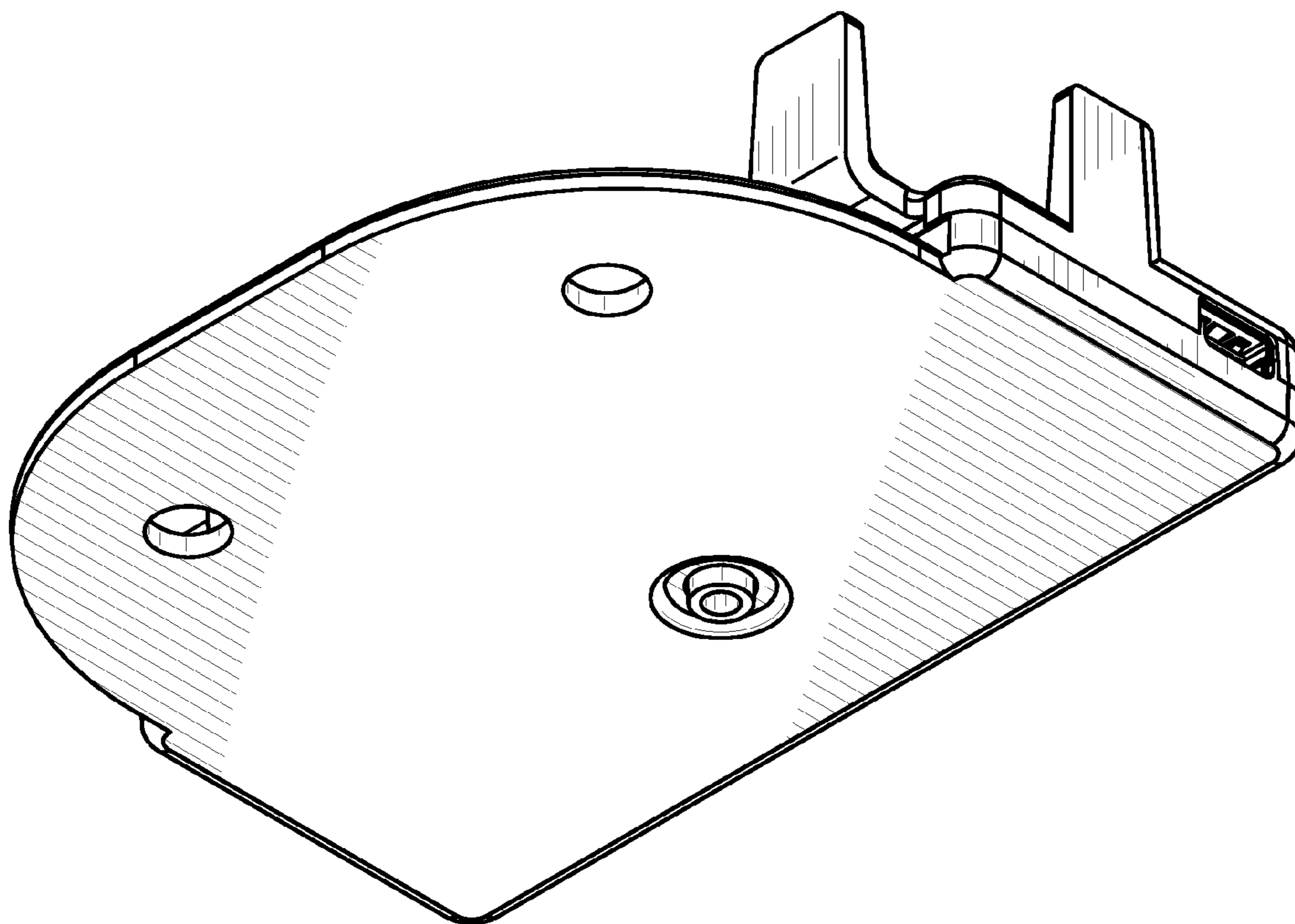


FIG. 2

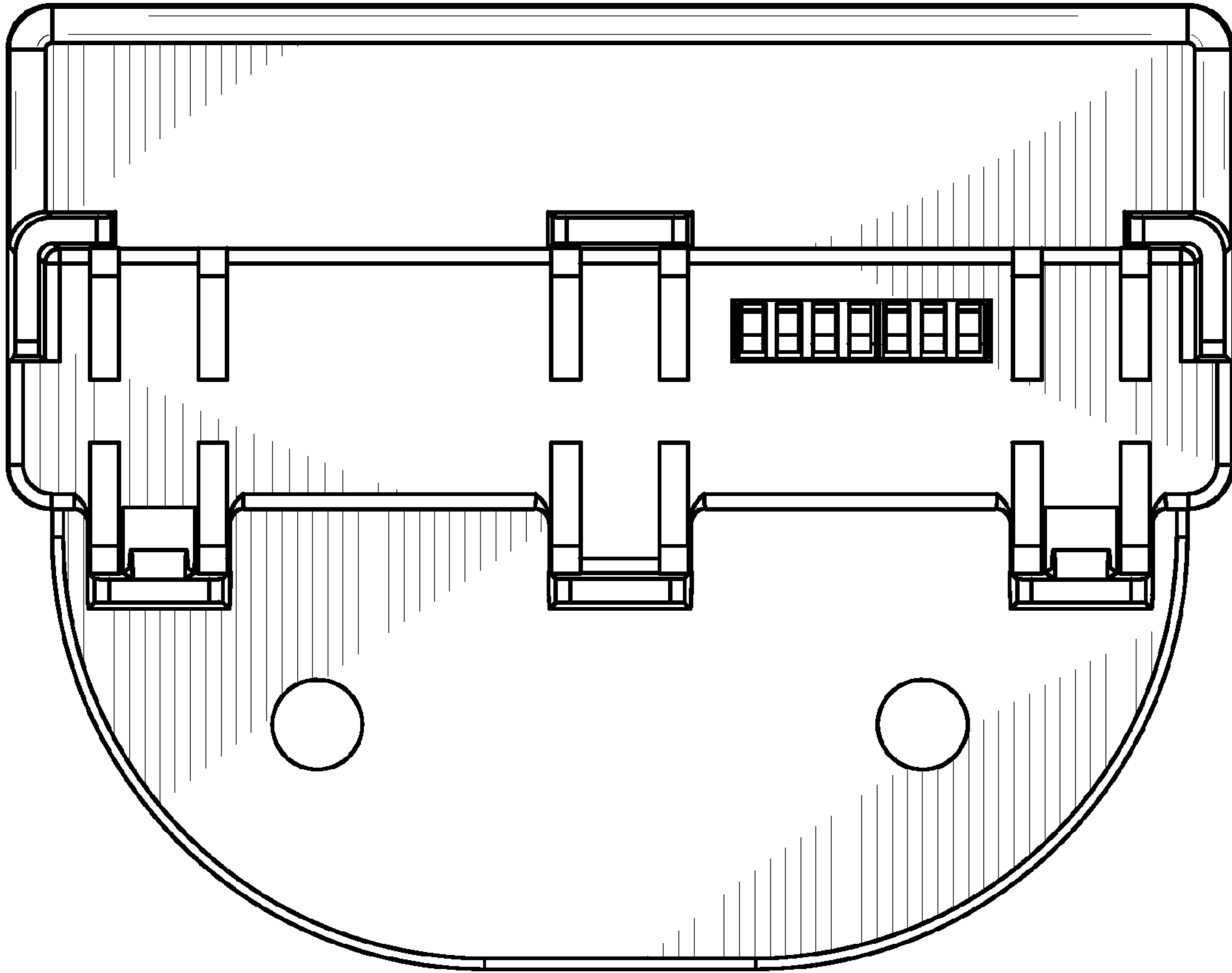


FIG. 3

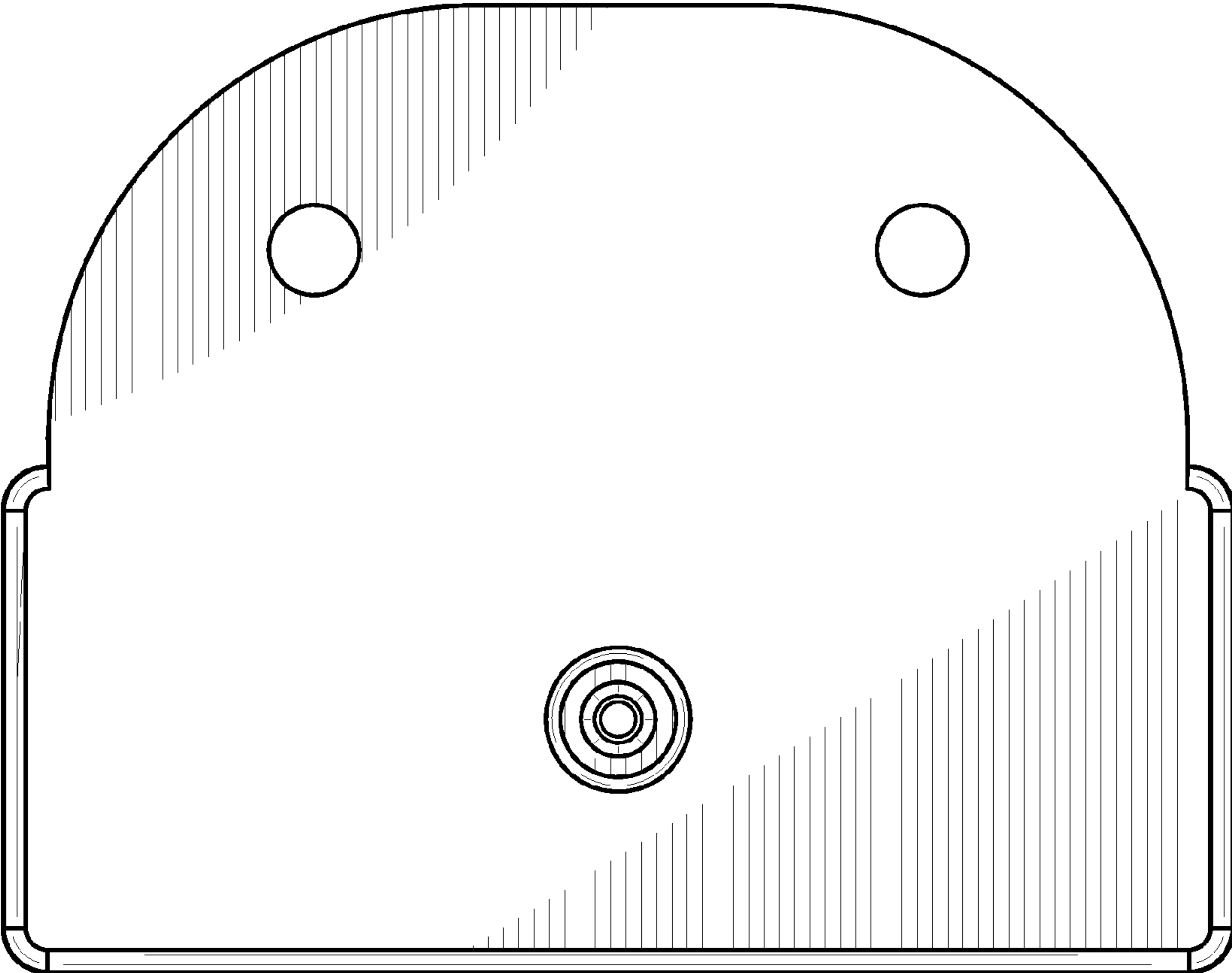


FIG. 4

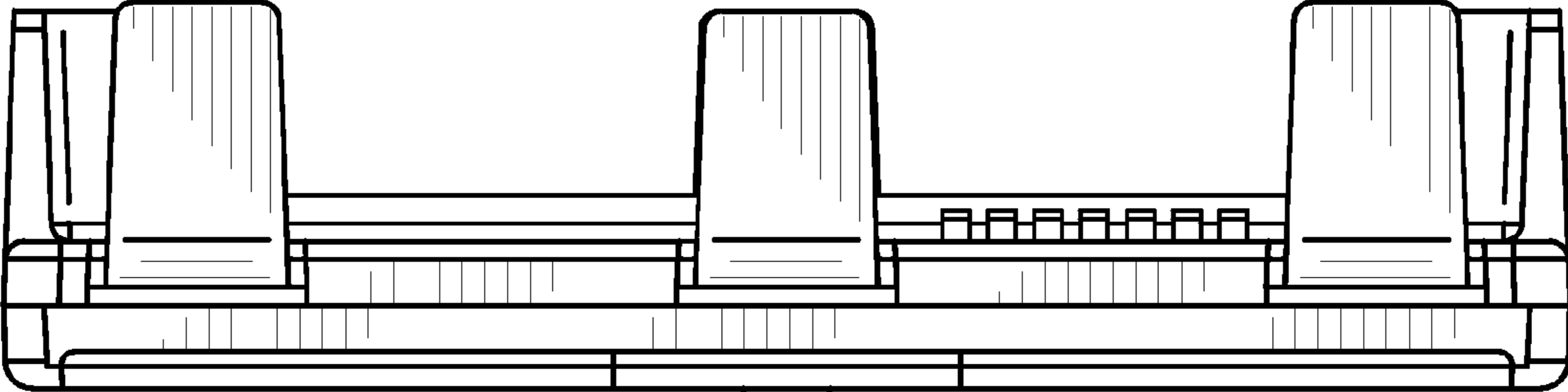


FIG. 5

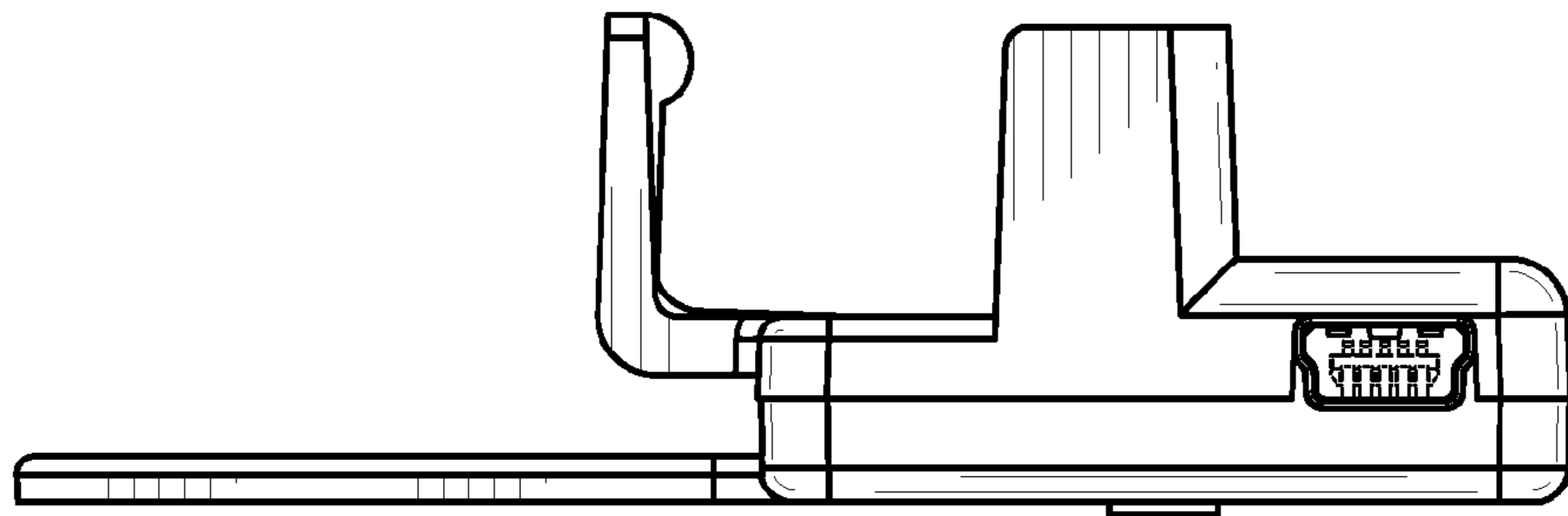


FIG. 6

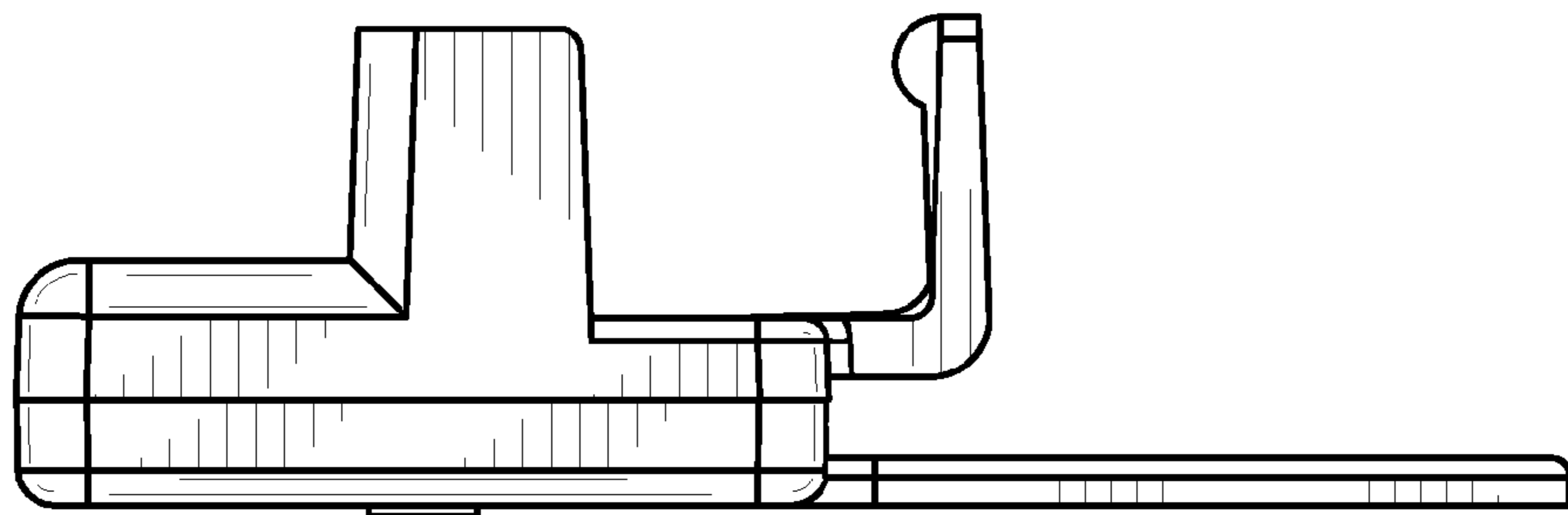


FIG. 7