



US00D638776S

(12) **United States Design Patent**
Masson

(10) **Patent No.:** **US D638,776 S**

(45) **Date of Patent:** **** May 31, 2011**

(54) **CONNECTING ROD**

(75) Inventor: **Richard Masson**, Buc (FR)

(73) Assignee: **Messier-Dowty SA**, Velizy Villacoublay (FR)

(**) Term: **14 Years**

(21) Appl. No.: **29/377,452**

(22) Filed: **Oct. 21, 2010**

(30) **Foreign Application Priority Data**

Apr. 21, 2010 (EM) 001698457-0003

(51) **LOC (9) Cl.** **12-07**

(52) **U.S. Cl.** **D12/345**

(58) **Field of Classification Search** D12/345;
D15/5; D3/207-212; 74/579 R; 123/197.3;
D8/382

See application file for complete search history.

(56) **References Cited**

U.S. PATENT DOCUMENTS

D416,131 S * 11/1999 Dafski D3/211
D492,191 S * 6/2004 Kang D8/382

D623,579 S * 9/2010 Masson D12/345
D623,580 S * 9/2010 Masson D12/345
D623,581 S * 9/2010 Masson D12/345
7,810,755 B2 * 10/2010 Reynes 244/104 FP
D632,633 S * 2/2011 Masson D12/345

* cited by examiner

Primary Examiner — Cathron C. Brooks

Assistant Examiner — Maurice Stevens

(74) *Attorney, Agent, or Firm* — Muncy, Geissler, Olds & Lowe, PLLC

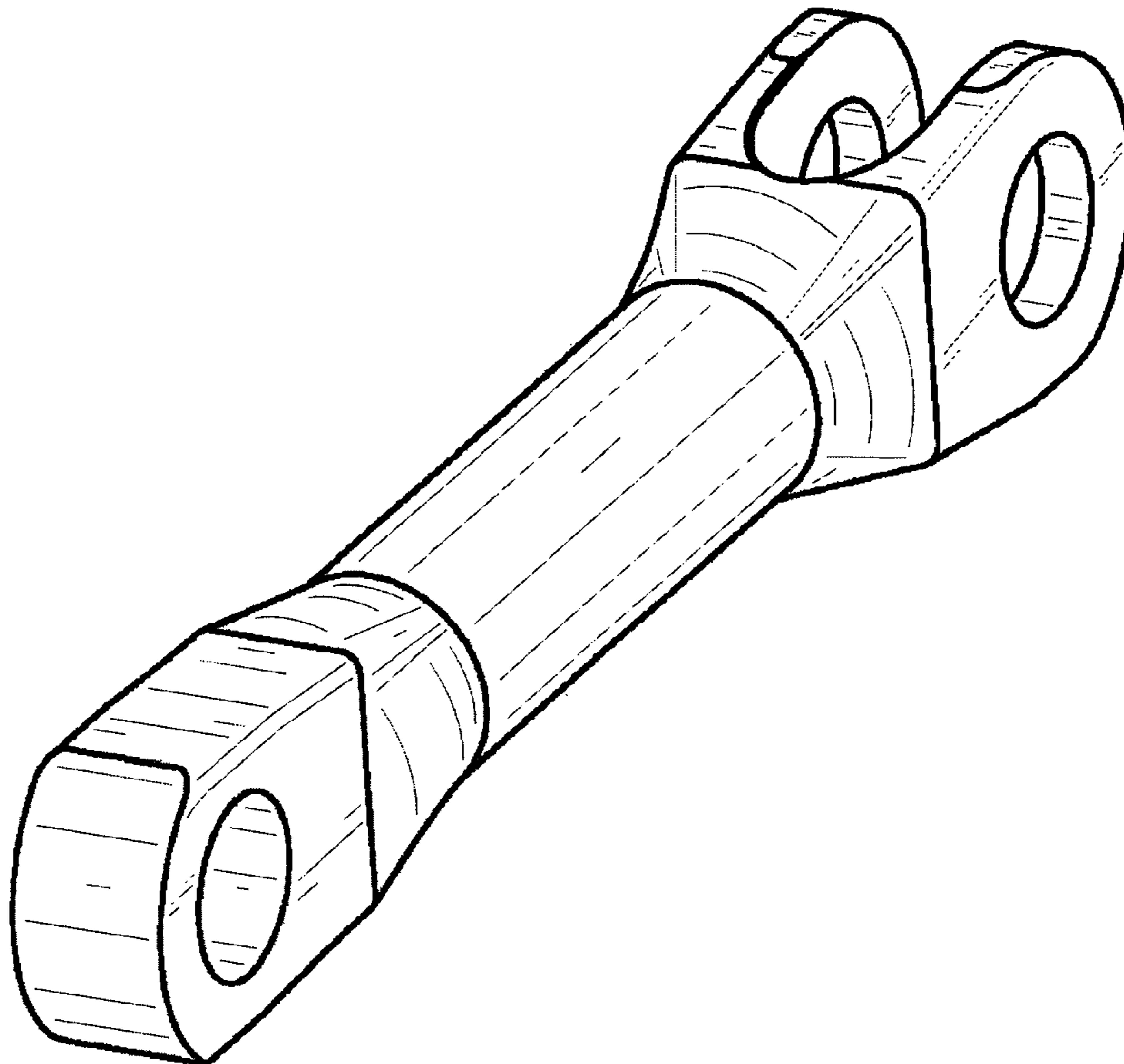
(57) **CLAIM**

The ornamental design for a connecting rod, as shown and described.

DESCRIPTION

FIG. 1 is a front, left perspective view of a connecting rod showing my new design;
FIG. 2 is a top plan view of the connecting rod;
FIG. 3 is a bottom plan view of the connecting rod;
FIG. 4 is a left side view of the connecting rod;
FIG. 5 is a right side view of the connecting rod;
FIG. 6 is a front elevational view of the connecting rod; and,
FIG. 7 is a rear elevational view of the connecting rod.

1 Claim, 6 Drawing Sheets



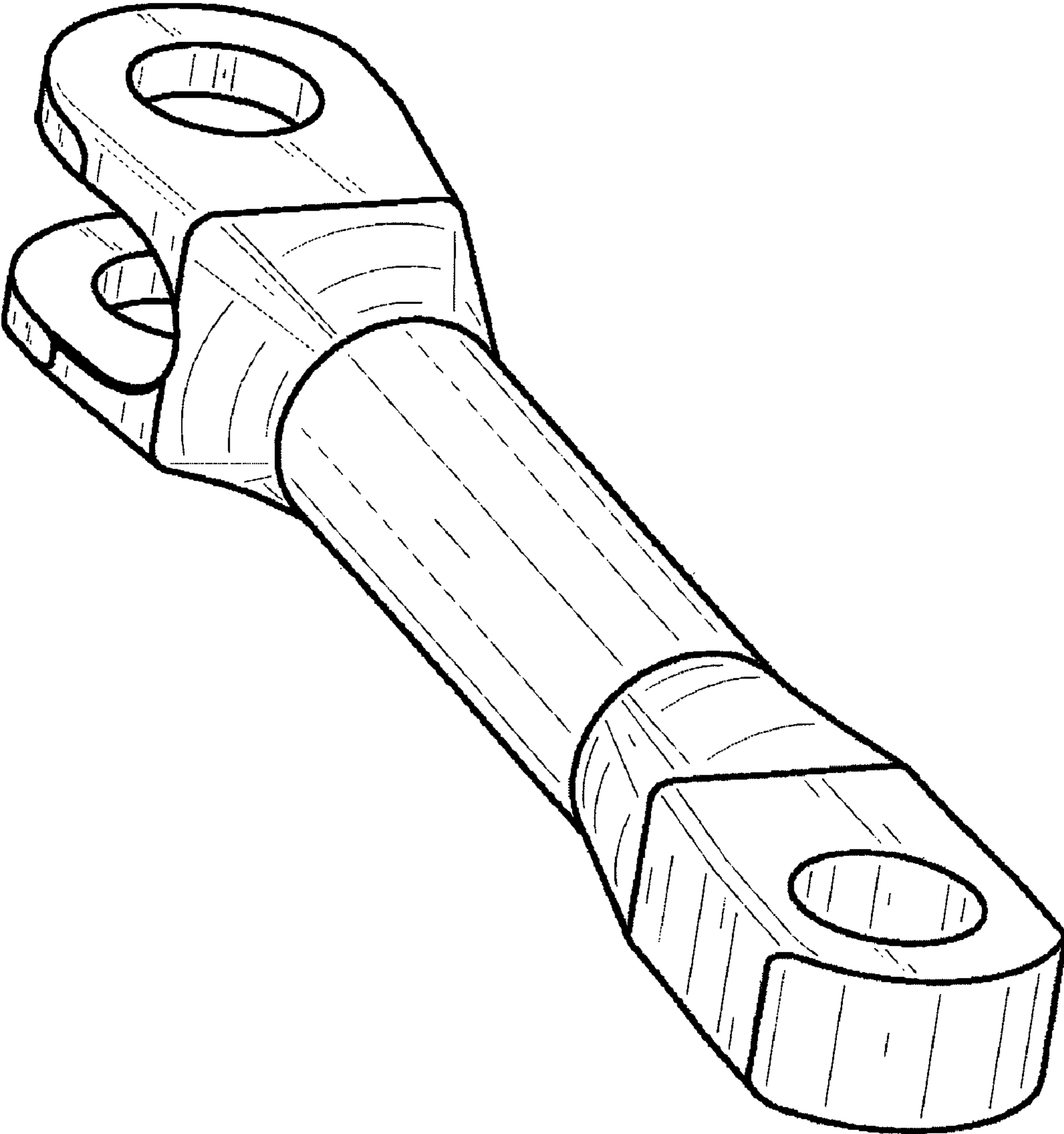


FIG. 1

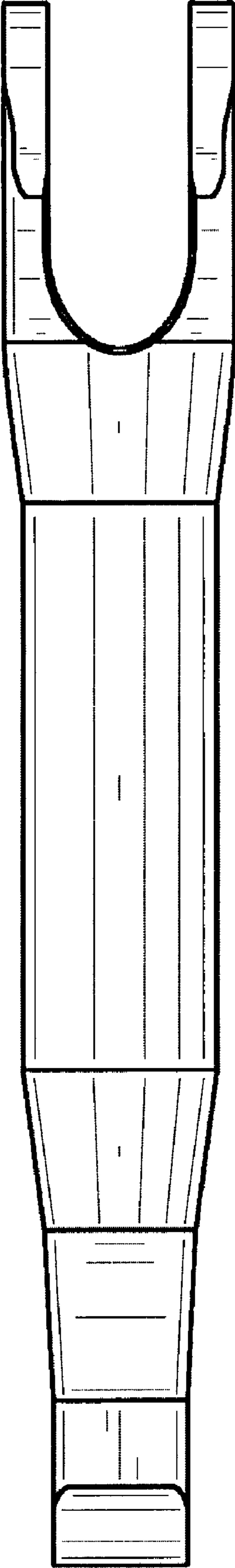


FIG. 2

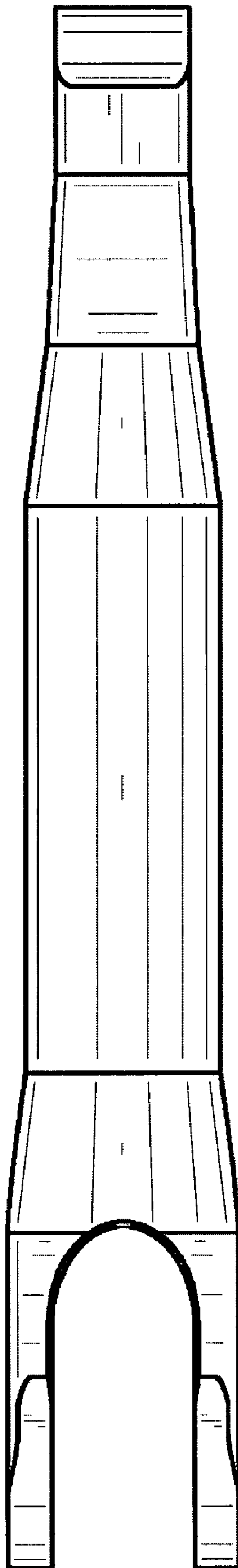


FIG. 3

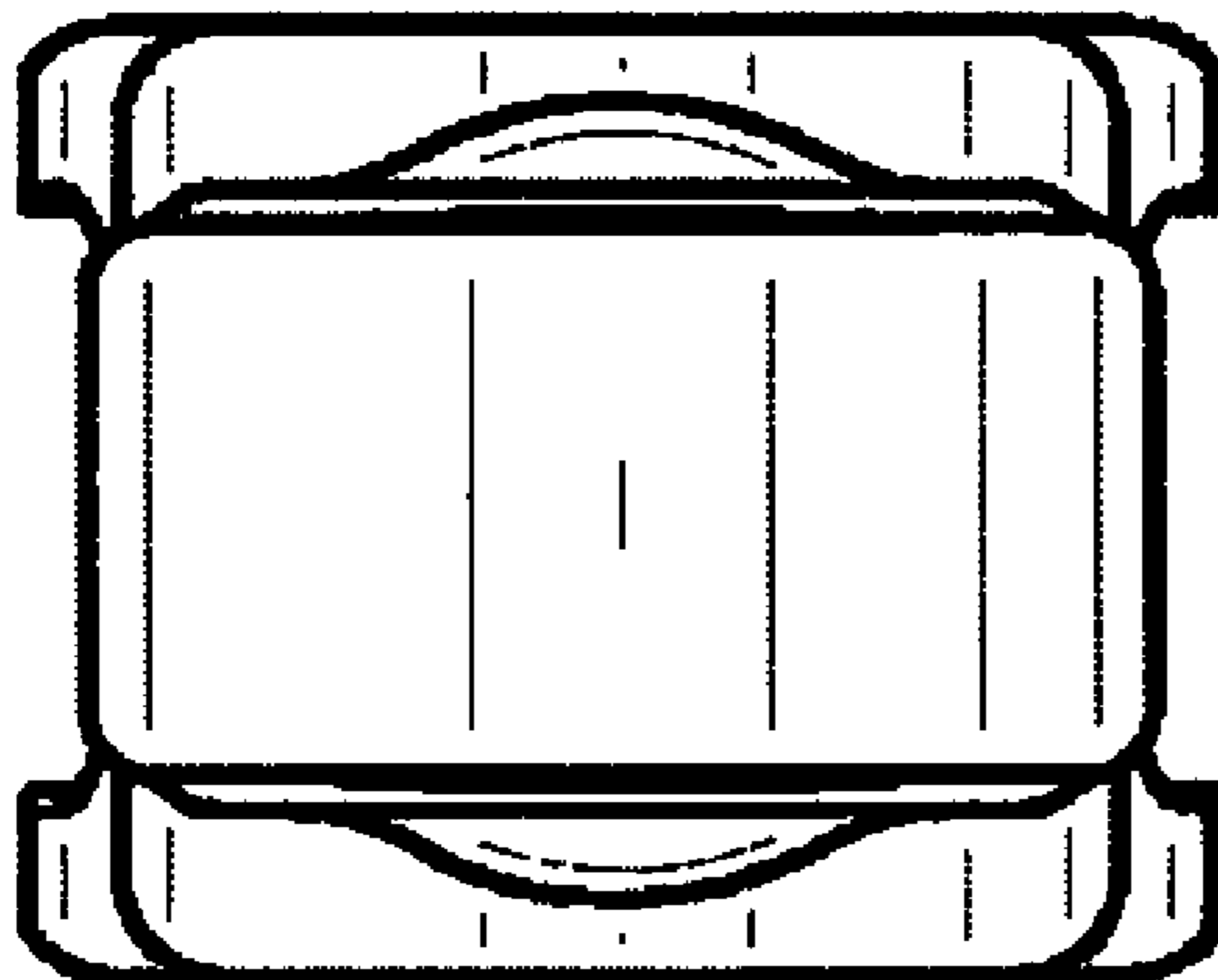


FIG. 4

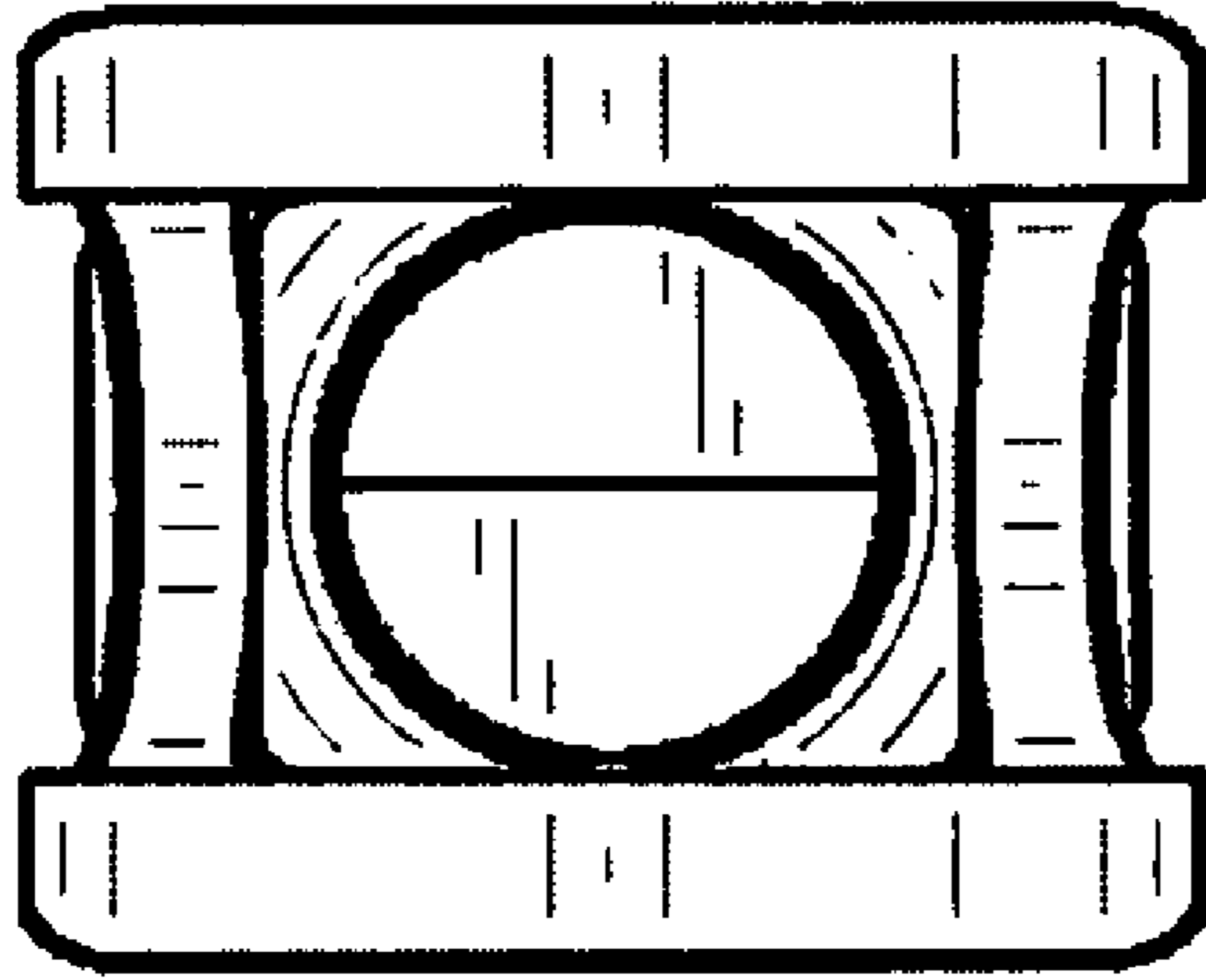


FIG. 5

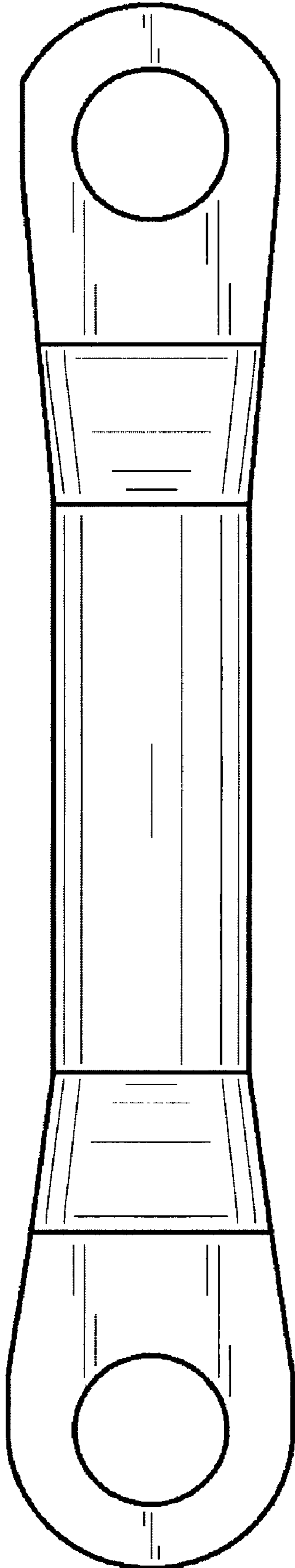


FIG. 6

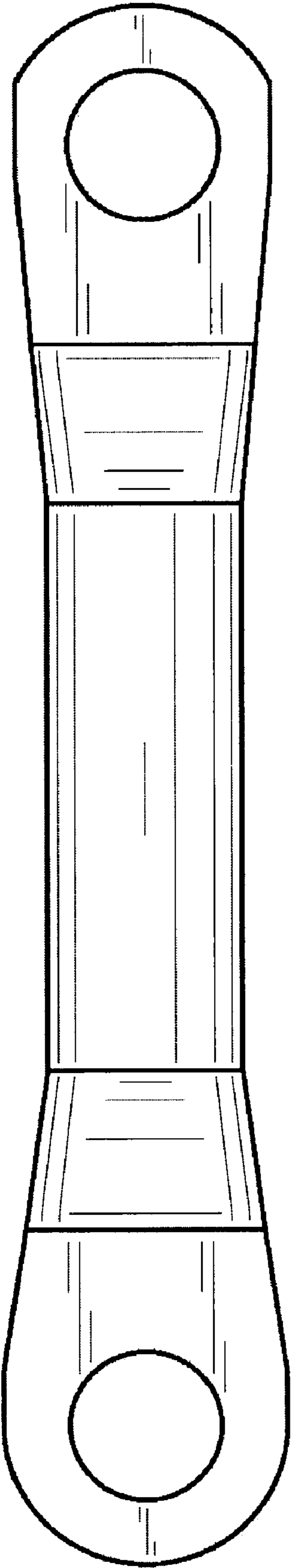


FIG. 7