



US00D638775S

(12) **United States Design Patent**  
**Masson**

(10) **Patent No.:** **US D638,775 S**

(45) **Date of Patent:** **\*\* May 31, 2011**

(54) **CONNECTING ROD**

(75) **Inventor:** **Richard Masson, Buc (FR)**

(73) **Assignee:** **Messier-Dowty SA, Velizy Villacoublay (FR)**

(\*\*) **Term:** **14 Years**

(21) **Appl. No.:** **29/377,447**

(22) **Filed:** **Oct. 21, 2010**

(30) **Foreign Application Priority Data**

Apr. 21, 2010 (EM) ..... 001698457-0001

(51) **LOC (9) Cl.** ..... **12-07**

(52) **U.S. Cl.** ..... **D12/345**

(58) **Field of Classification Search** ..... D12/345;  
D15/5; D3/207-212; 74/579 R; 123/197.3;  
D8/382

See application file for complete search history.

(56) **References Cited**

**U.S. PATENT DOCUMENTS**

D416,131 S \* 11/1999 Dafski ..... D3/211  
D492,191 S \* 6/2004 Kang ..... D8/382

D623,579 S \* 9/2010 Masson ..... D12/345  
D623,580 S \* 9/2010 Masson ..... D12/345  
D623,581 S \* 9/2010 Masson ..... D12/345  
7,810,755 B2 \* 10/2010 Reynes ..... 244/104 FP  
D632,633 S \* 2/2011 Masson ..... D12/345

\* cited by examiner

*Primary Examiner* — Cathron C. Brooks

*Assistant Examiner* — Maurice Stevens

(74) *Attorney, Agent, or Firm* — Muncy, Geissler, Olds & Lowe, PLLC

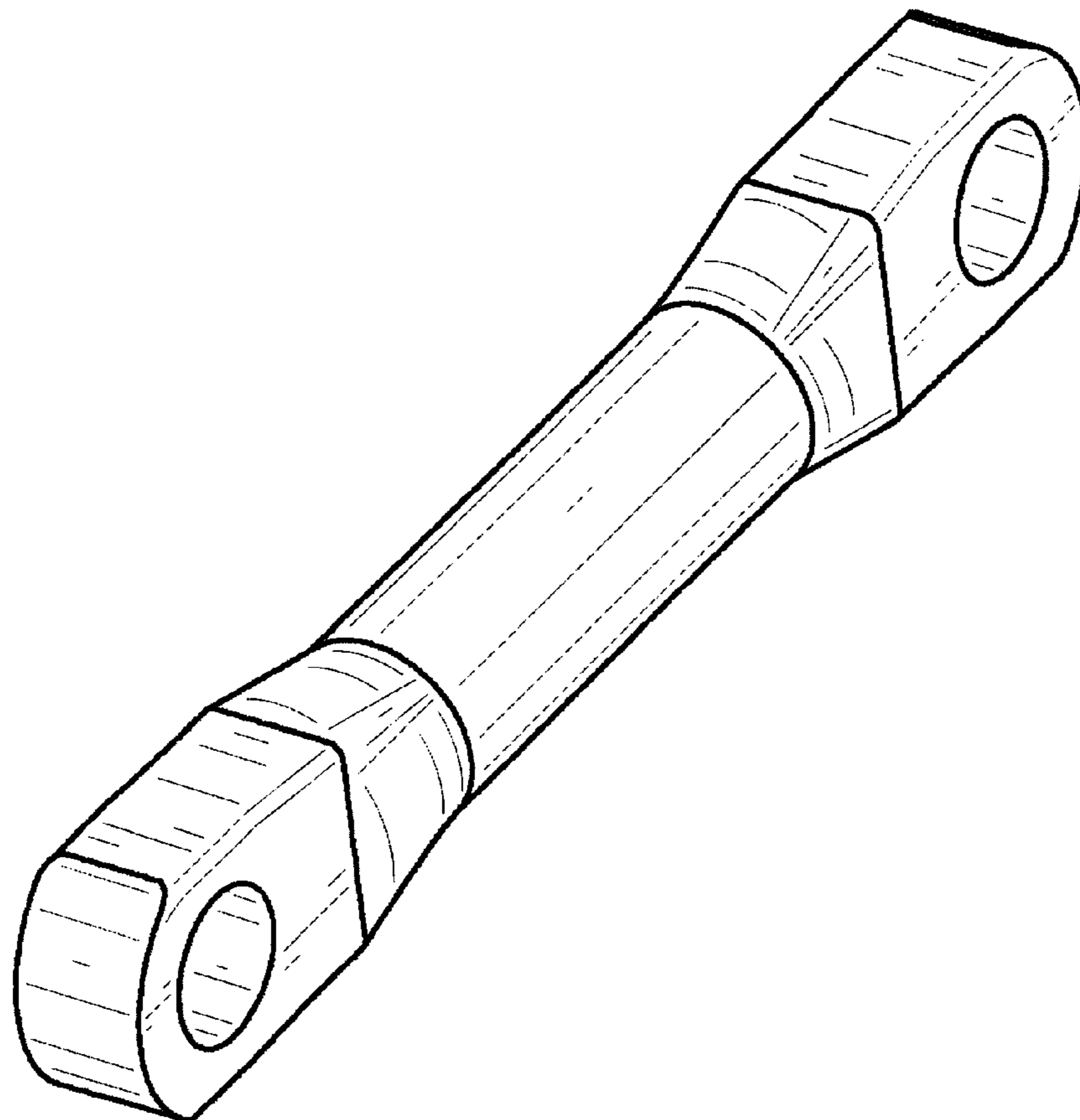
(57) **CLAIM**

The ornamental design for a connecting rod, as shown and described.

**DESCRIPTION**

FIG. 1 is a front, left perspective view of a connecting rod showing my new design;  
FIG. 2 is a top plan view of the connecting rod;  
FIG. 3 is a bottom plan view of the connecting rod;  
FIG. 4 is a left side view of the connecting rod;  
FIG. 5 is a right side view of the connecting rod;  
FIG. 6 is a front elevational view of the connecting rod; and,  
FIG. 7 is a rear elevational view of the connecting rod.

**1 Claim, 6 Drawing Sheets**



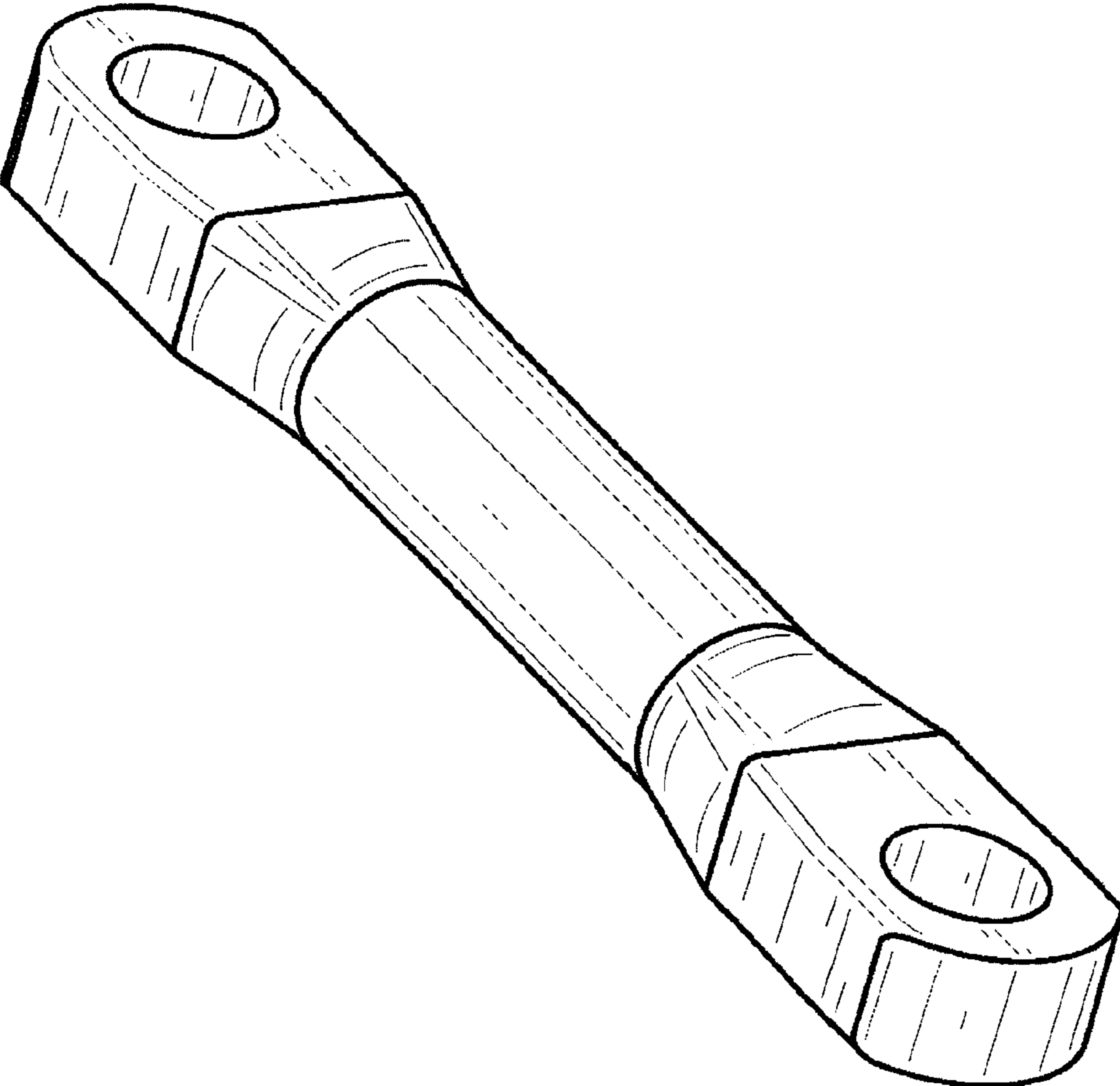


FIG. 1

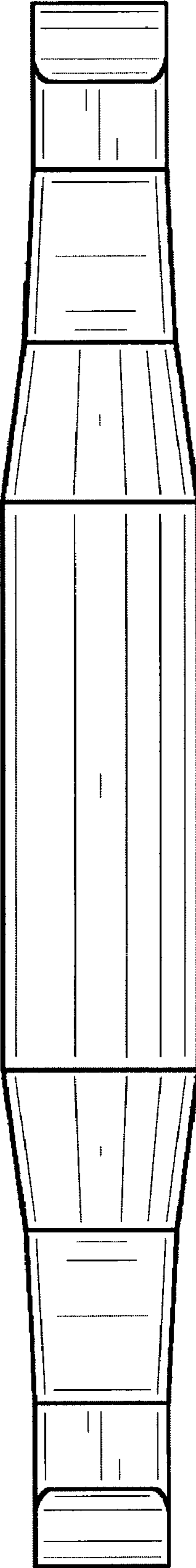


FIG. 2

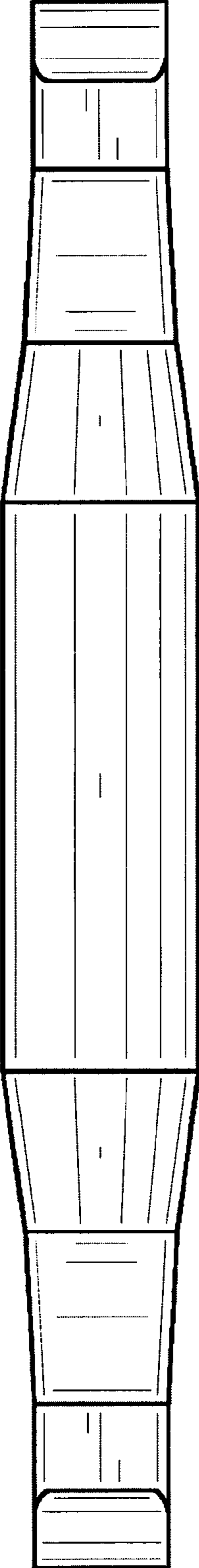


FIG. 3

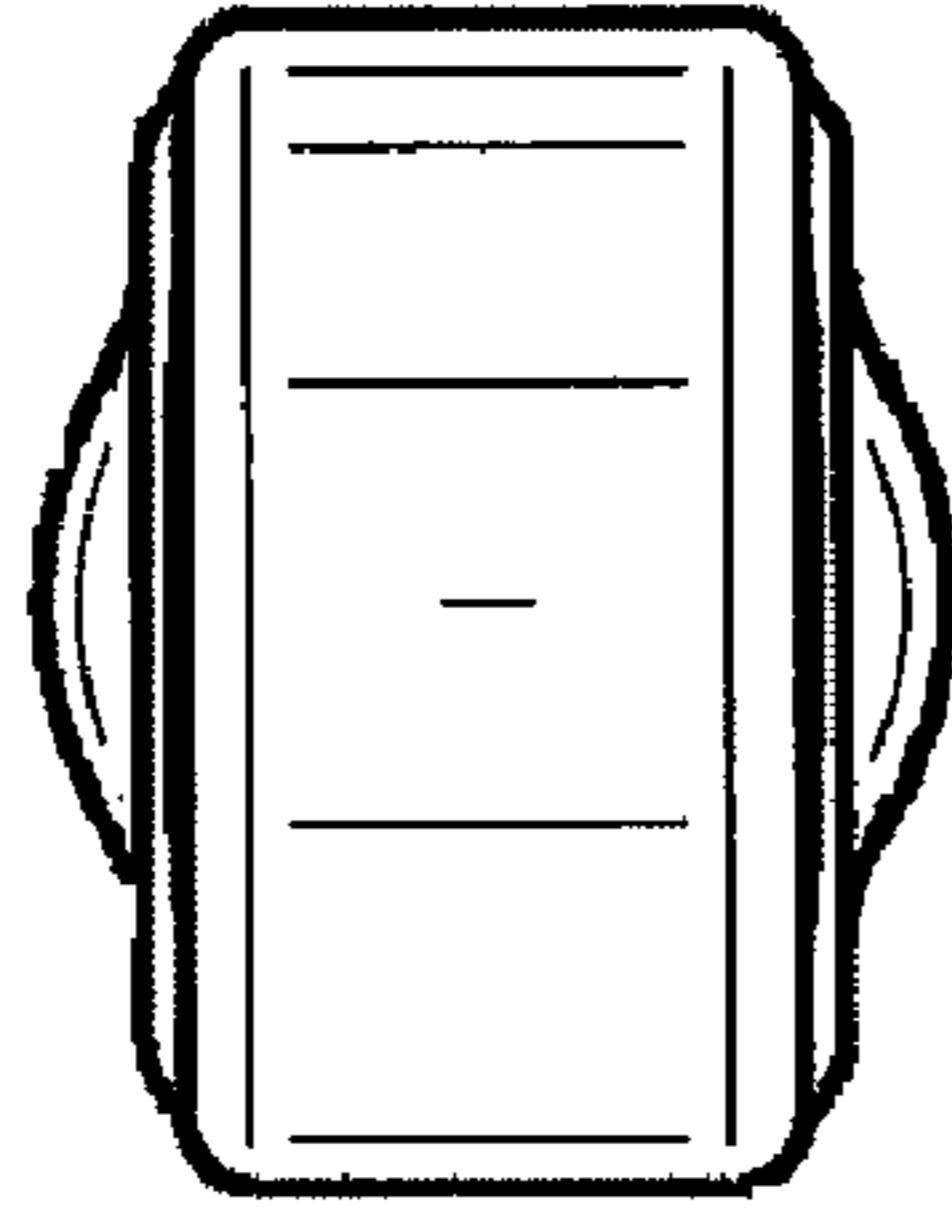


FIG. 5

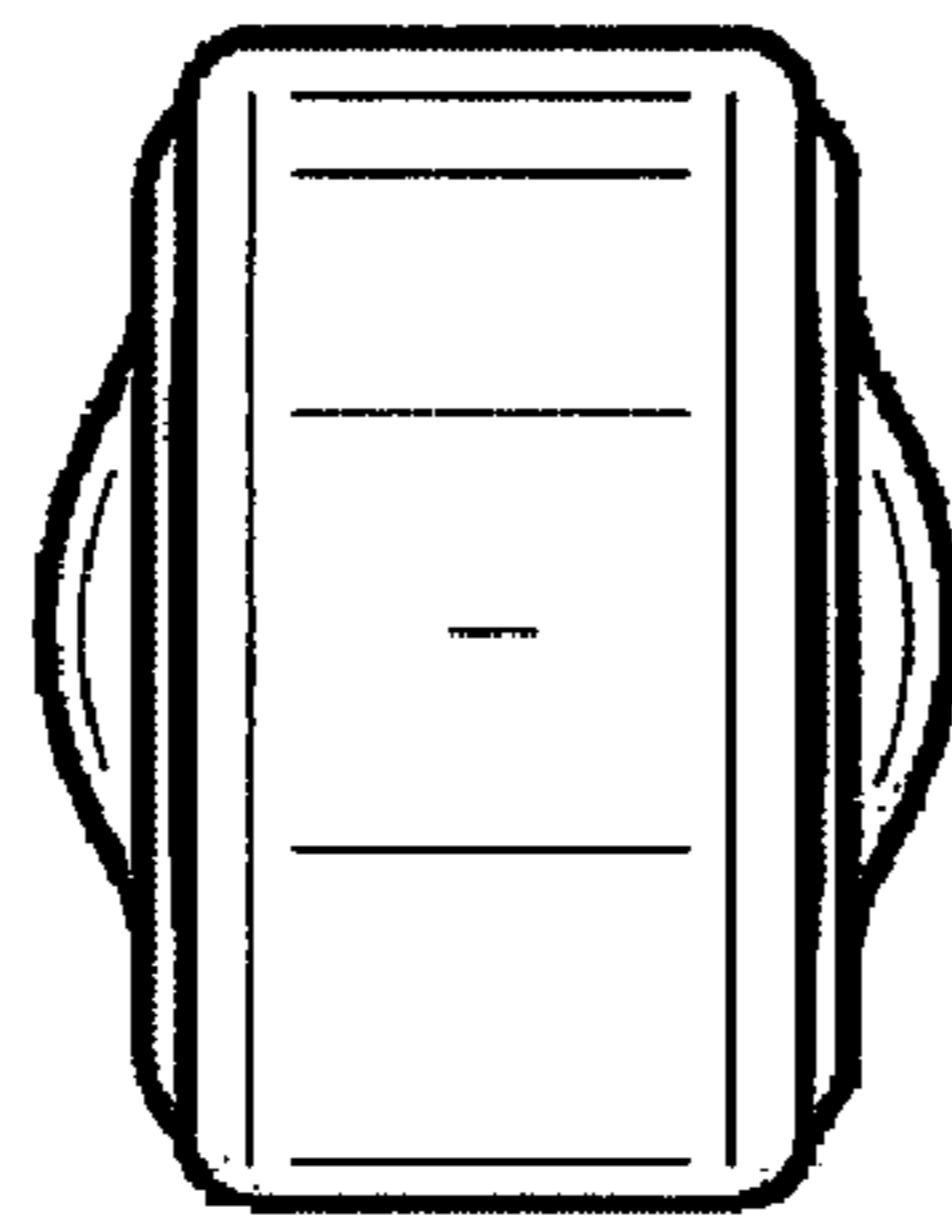


FIG. 4

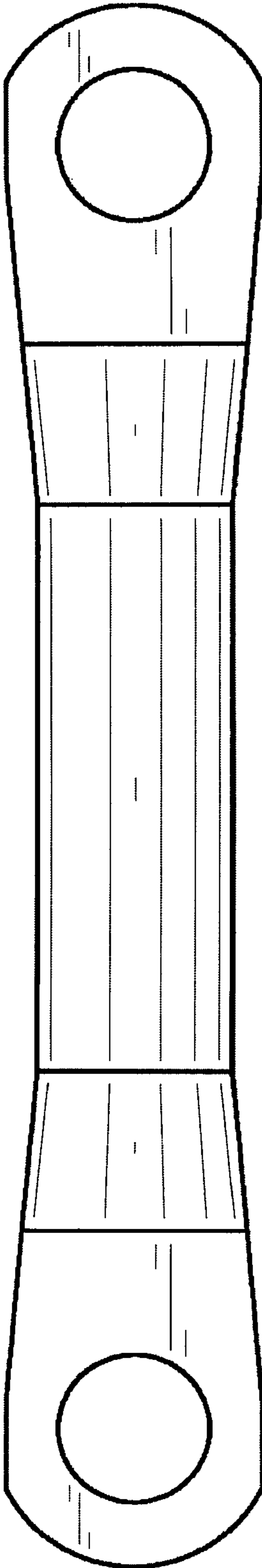


FIG. 6

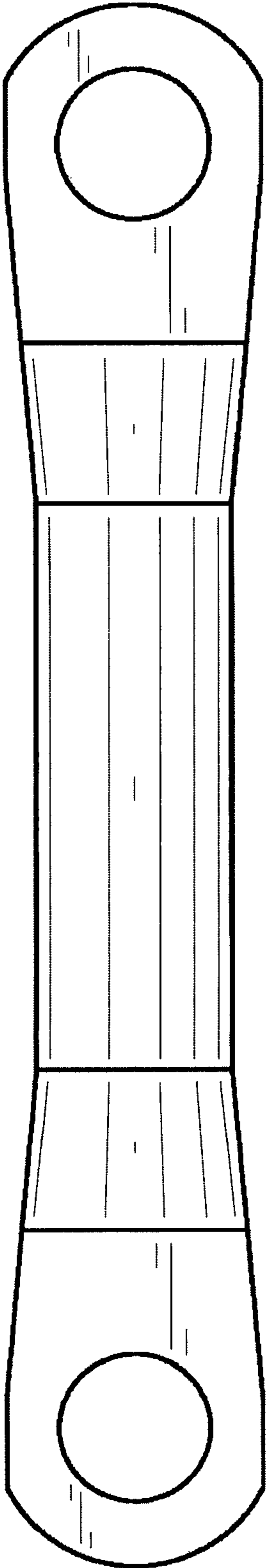


FIG. 7